



US00D913528S

(12) **United States Design Patent** (10) **Patent No.:** **US D913,528 S**
Brinkman et al. (45) **Date of Patent:** **** Mar. 16, 2021**

| | |
|--|---|
| (54) REVEAL TRIM | D689,199 S * 9/2013 Elizarraras D25/55 |
| (71) Applicant: Fry Reglet Corporation , Santa Fe Springs, CA (US) | D711,021 S * 8/2014 Singh D25/119 |
| (72) Inventors: Mark E. Brinkman , Cumming, GA (US); Robert Stuart , Rome, GA (US) | D800,924 S * 10/2017 Preston E04F 19/062 D25/121 |
| (73) Assignee: FRY REGLET CORPORATION , Santa Fe Springs, CA (US) | D822,852 S * 7/2018 Jackson D25/119 |
| (**) Term: 15 Years | D833,650 S * 11/2018 Singh D25/119 |
| | D834,727 S * 11/2018 Jackson D25/119 |
| | D834,728 S * 11/2018 Jackson D25/119 |
| | D835,299 S * 12/2018 Jackson D25/119 |
| | D853,587 S * 7/2019 Jackson D25/119 |
| | D853,588 S * 7/2019 Jackson D25/119 |
| | D853,589 S * 7/2019 Jackson D25/119 |
| | 2014/0264220 A1* 9/2014 Doyle E04H 17/1421 256/65.06 |

(Continued)

(21) Appl. No.: **29/695,591**

(22) Filed: **Jun. 20, 2019**

(51) **LOC (13) Cl.** **25-01**

(52) **U.S. Cl.**
USPC **D25/136; D25/55**

(58) **Field of Classification Search**
USPC D25/119–123, 125, 138, 164, 199, 55,
D25/58, 102, 136; D8/349, 354
CPC E04F 19/00; E04F 19/02; E04F 19/022;
E04F 19/026; E04F 19/06; E04F 19/061;
E04F 19/062; E04F 13/08; E04F 13/0736;
E04F 13/076; E04F 13/0803; E04F
13/081; E04F 13/0862; E04C 3/30
See application file for complete search history.

Primary Examiner — Llorelys Martinez
(74) *Attorney, Agent, or Firm* — Kilpatrick Townsend & Stockton LLP

(57) **CLAIM**

The ornamental design for a reveal trim, as shown and described.

DESCRIPTION

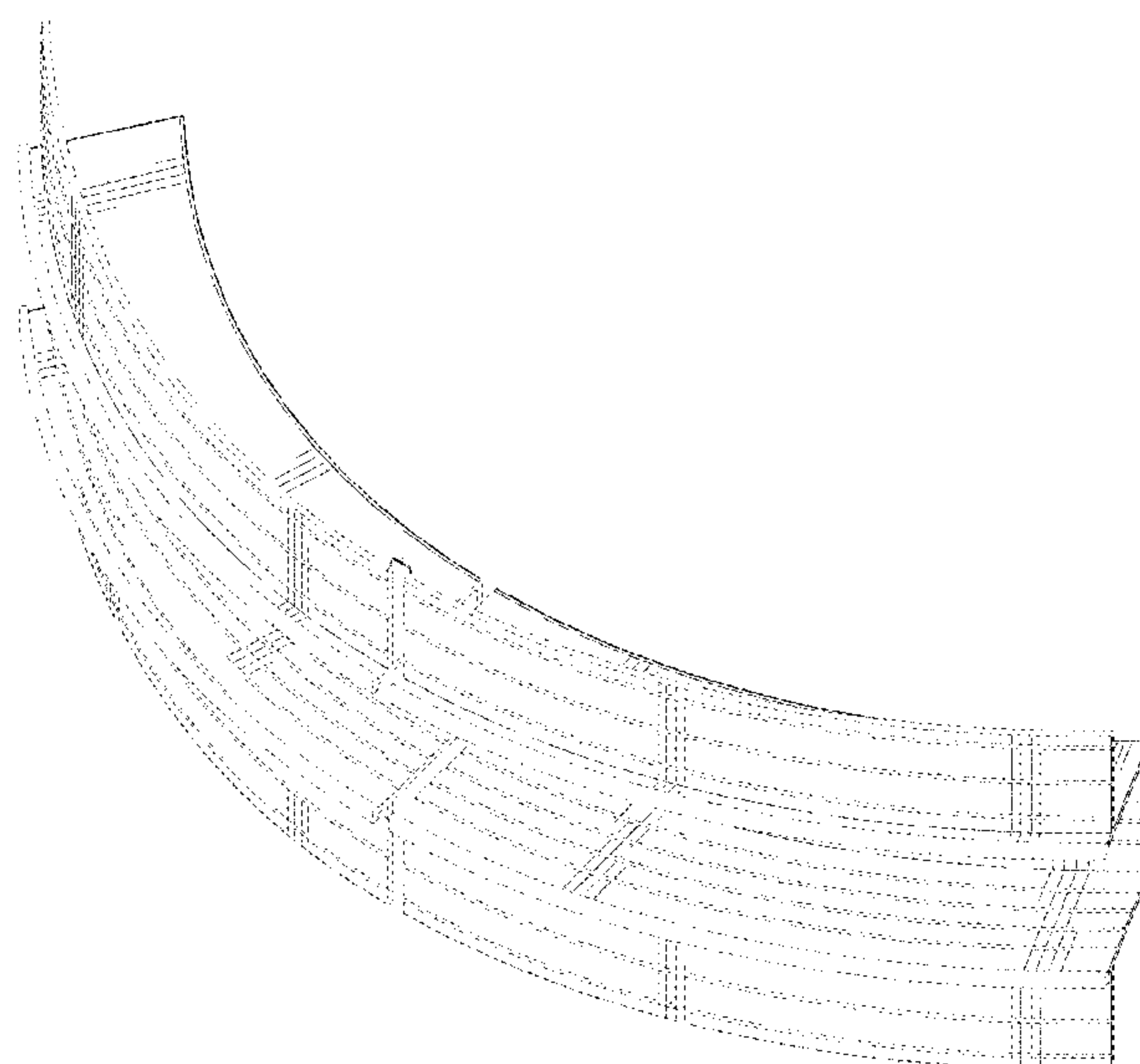
FIG. 1 is a front isometric view of a reveal trim.
FIG. 2 is a front view of the reveal trim of FIG. 1.
FIG. 3 is a rear view of the reveal trim of FIG. 1.
FIG. 4 is a left side view of the reveal trim of FIG. 1.
FIG. 5 is a right side view of the reveal trim of FIG. 1.
FIG. 6 is a top view of the reveal trim of FIG. 1.
FIG. 7 is a bottom view of the reveal trim of FIG. 1; and,
FIG. 8 is a cross-section view of the reveal trim of FIG. 1,
taken along the section line 8-8 in FIG. 6.
The broken lines in the drawings represent portions of the reveal trim that form no part of the claimed design. The reveal trim is shown with a symbolic break in its length. The appearance of any portion of the reveal trim between the break lines forms no part of the claimed design.

(56) **References Cited**

U.S. PATENT DOCUMENTS

| |
|---|
| D35,260 S * 11/1901 Haas D8/394 |
| 4,825,612 A * 5/1989 Tupman E04F 19/062 52/288.1 |
| D318,177 S * 7/1991 Winter D25/119 |
| D335,624 S * 5/1993 Siener D25/123 |
| D400,089 S * 10/1998 Boon D8/377 |
| 6,189,273 B1 * 2/2001 Larson E04F 19/022 52/255 |
| 6,360,510 B1 * 3/2002 Woodrum E04C 3/07 52/36.2 |
| D625,588 S * 10/2010 Norris D8/382 |

1 Claim, 7 Drawing Sheets



(56)

References Cited

U.S. PATENT DOCUMENTS

2018/0202168 A1* 7/2018 Stuart E04F 13/0803
2019/0323260 A1* 10/2019 Short E04H 17/16

* cited by examiner

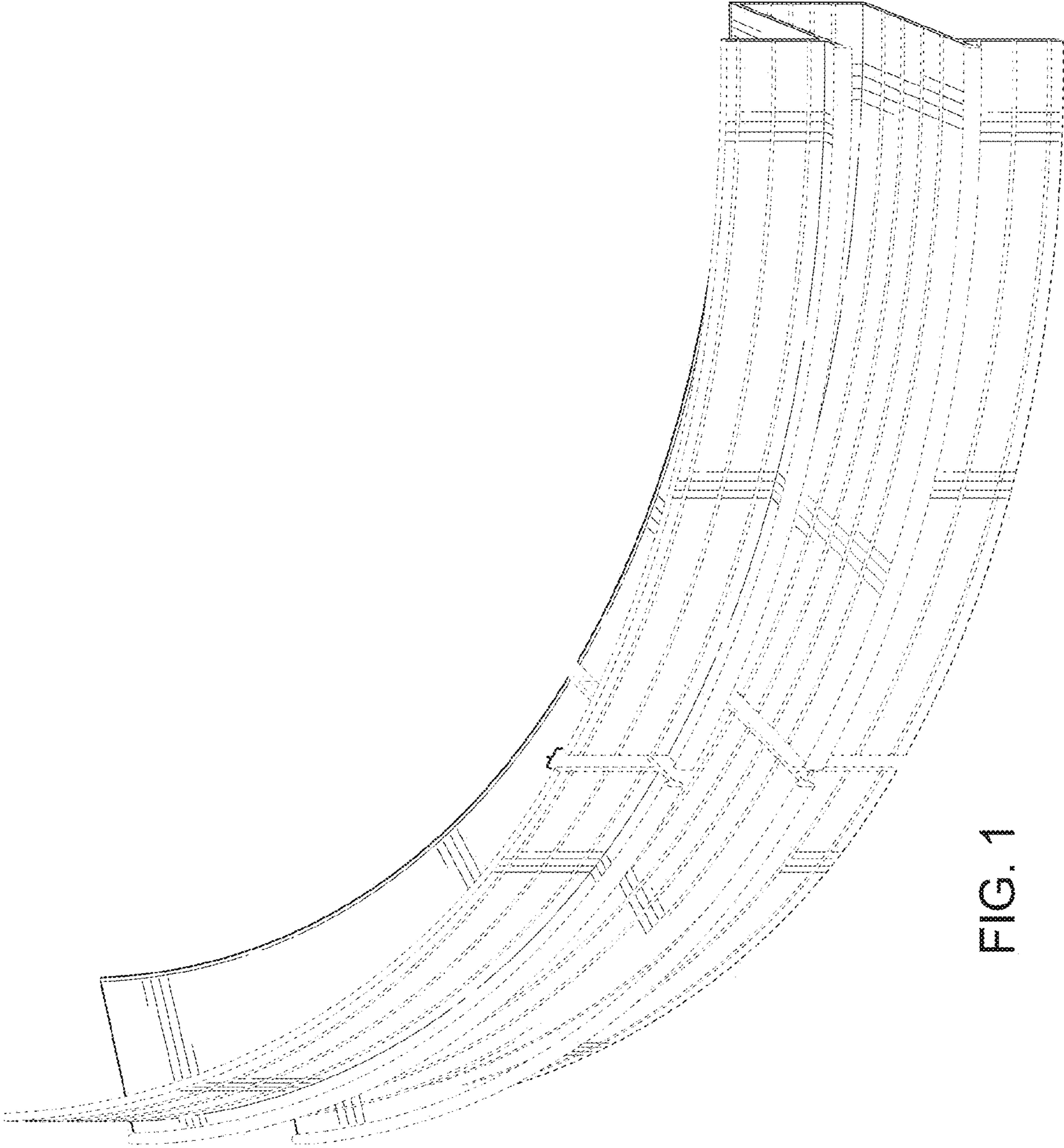


FIG. 1

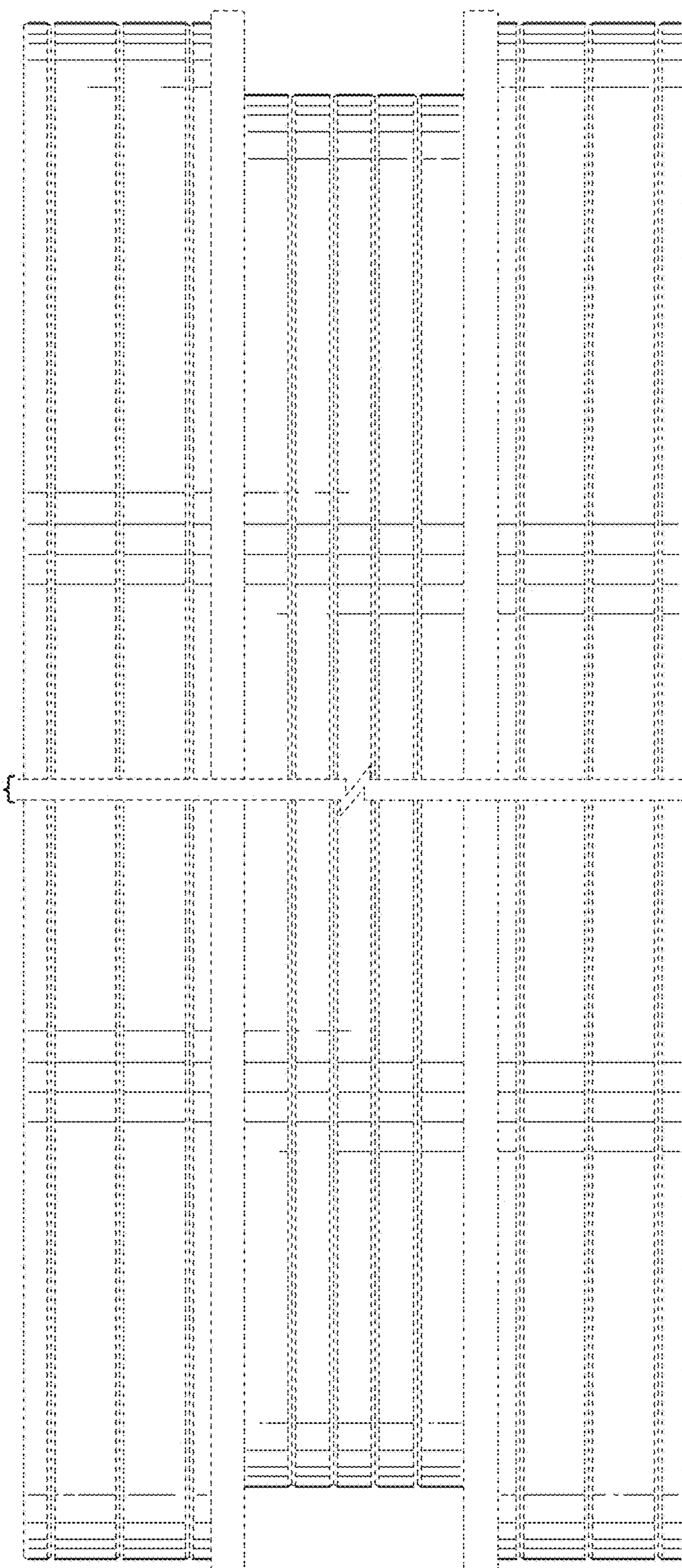


FIG. 2

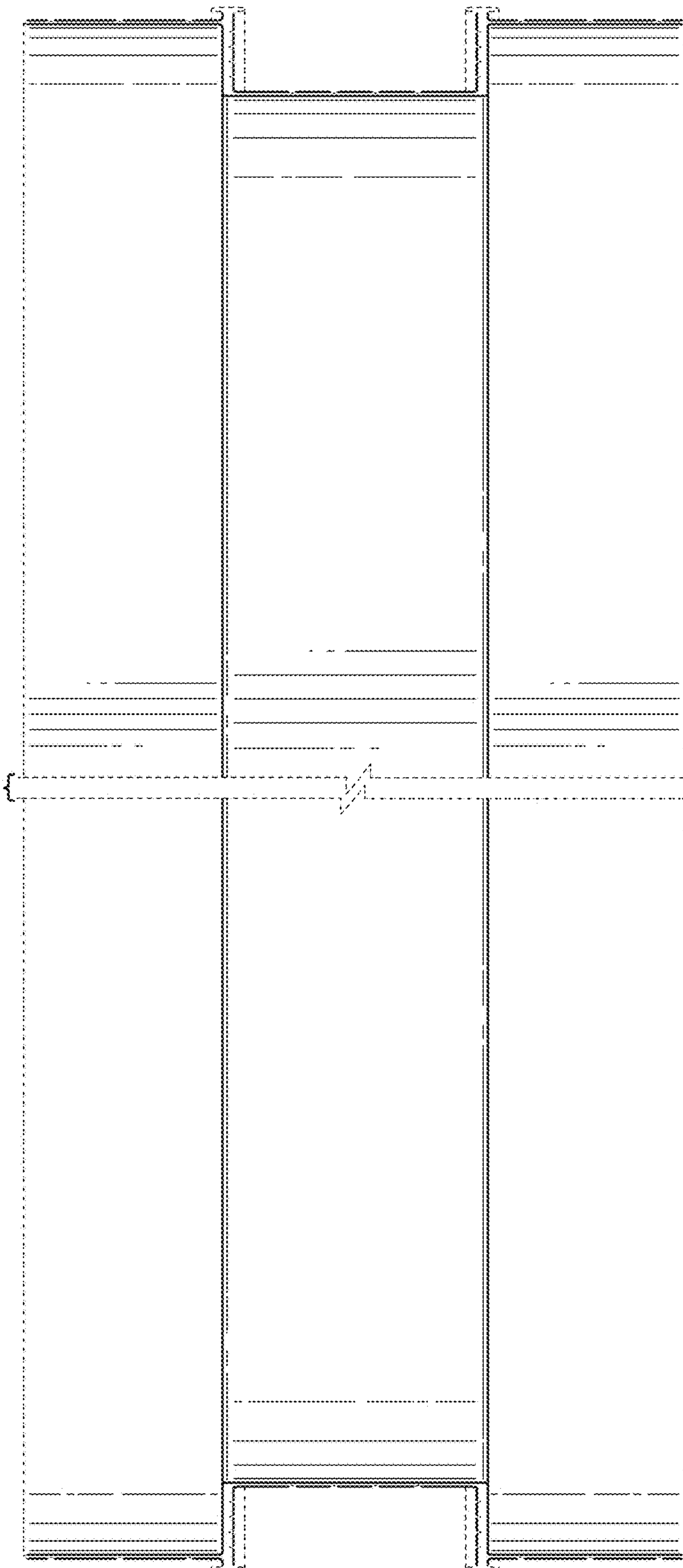


FIG. 3

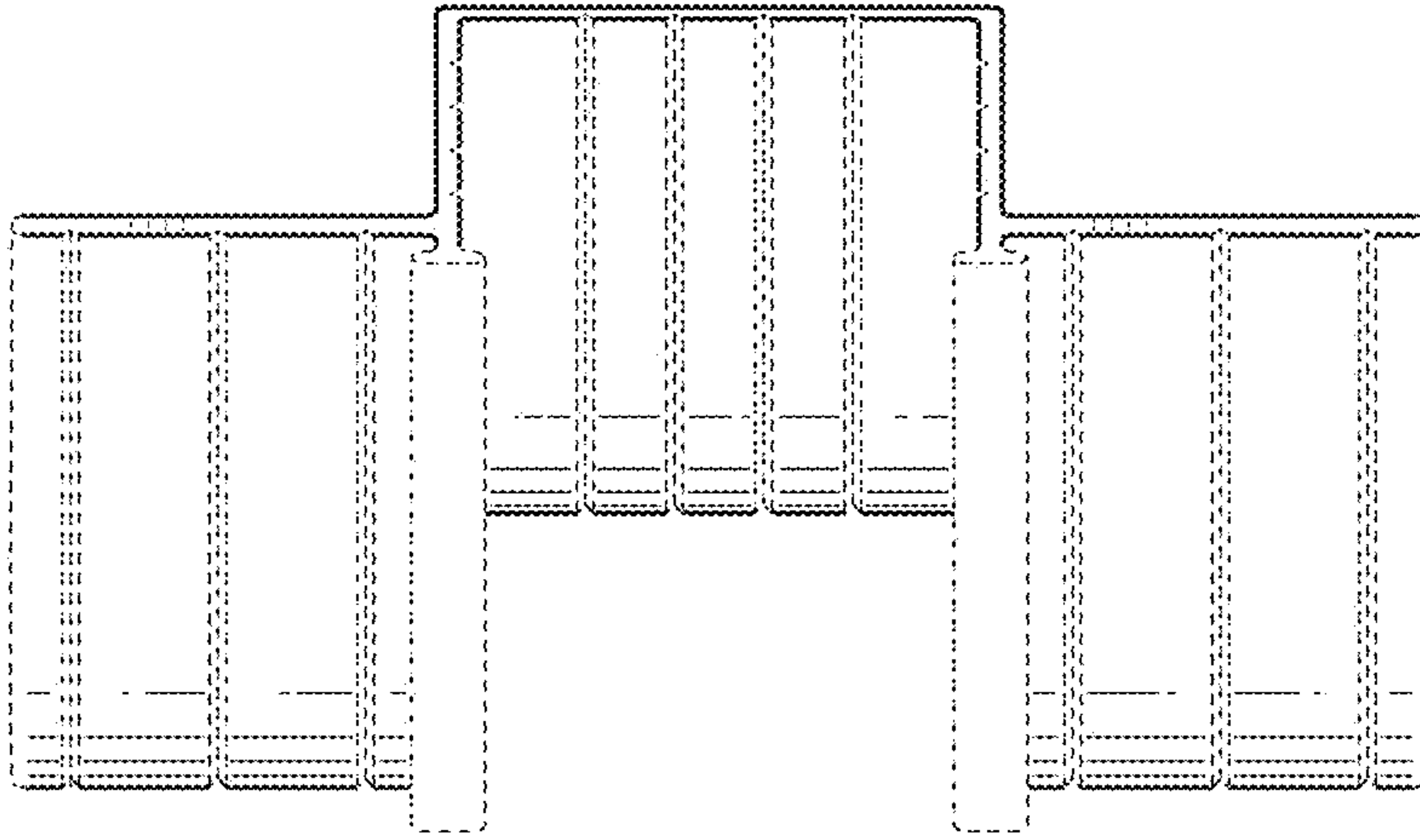


FIG. 5

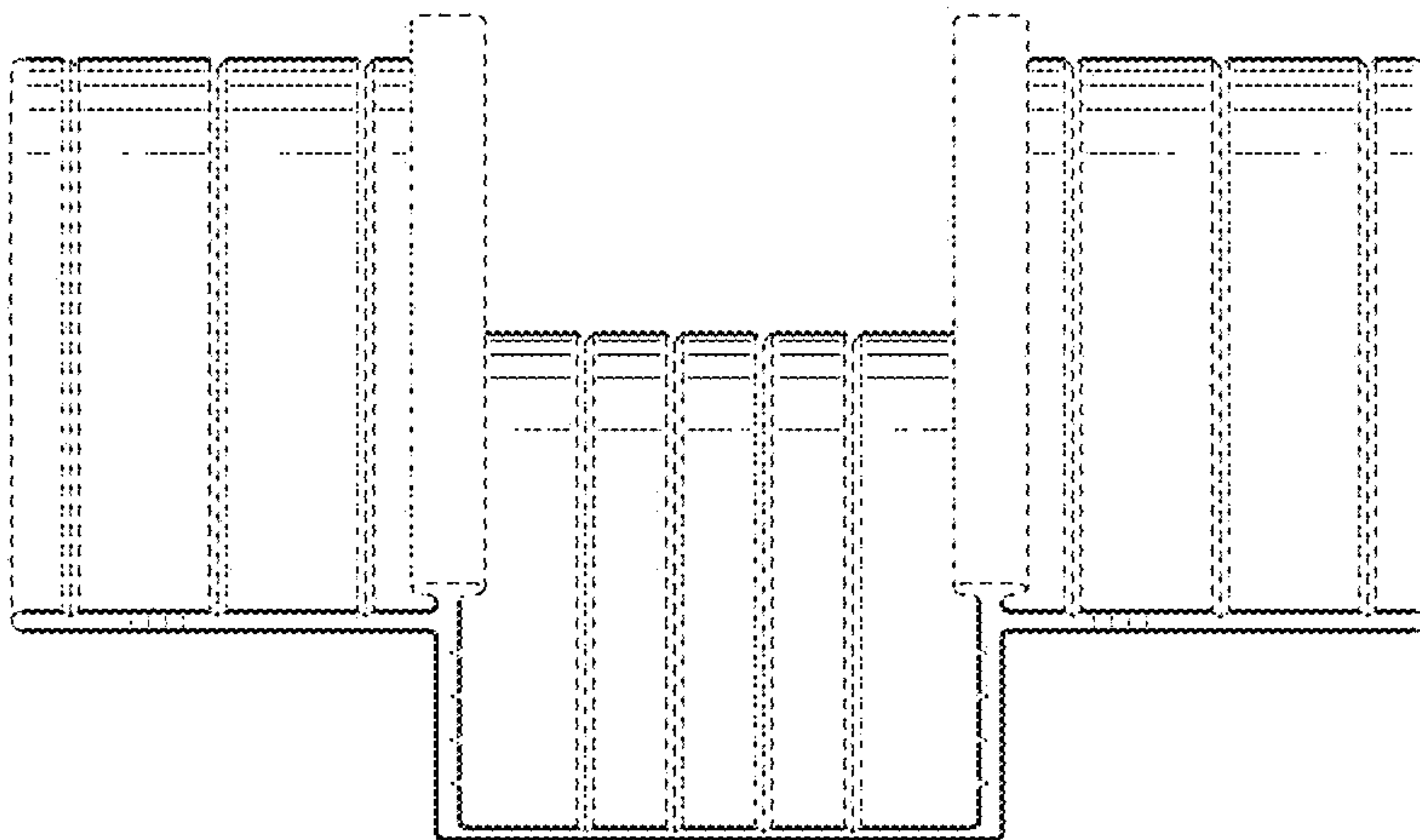


FIG. 4

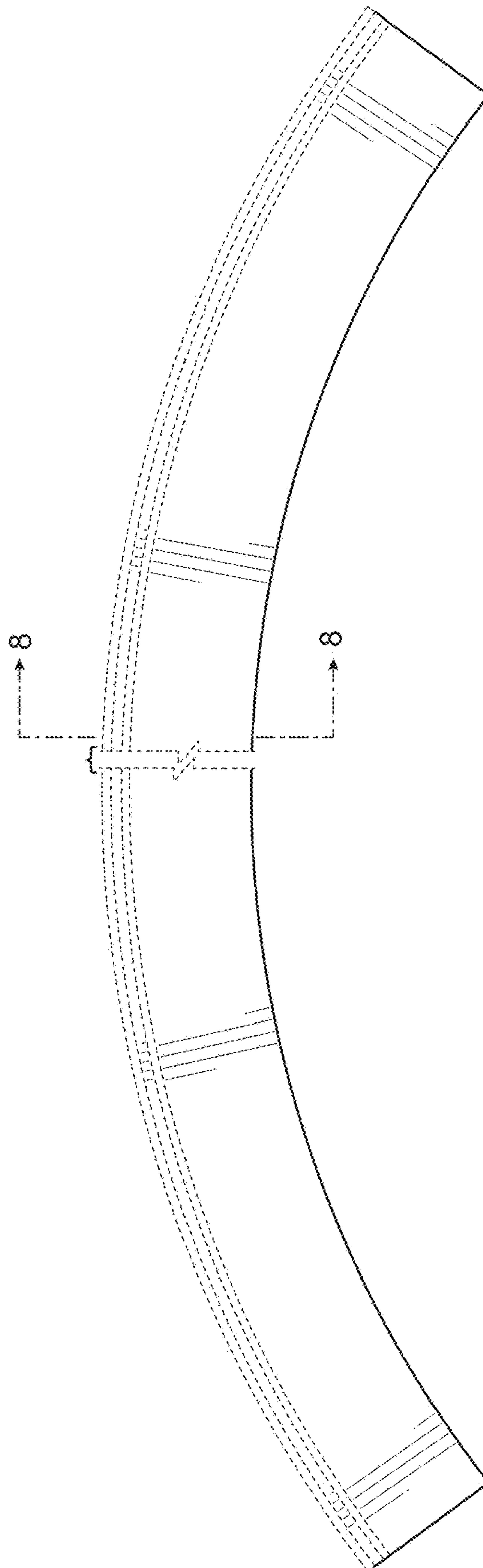


FIG. 6

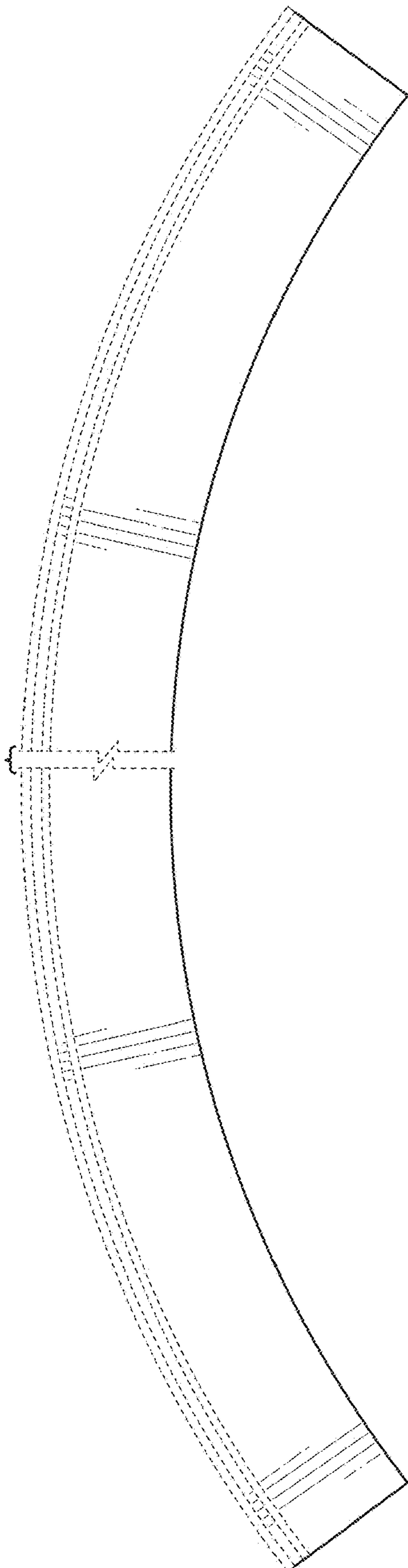


FIG. 7

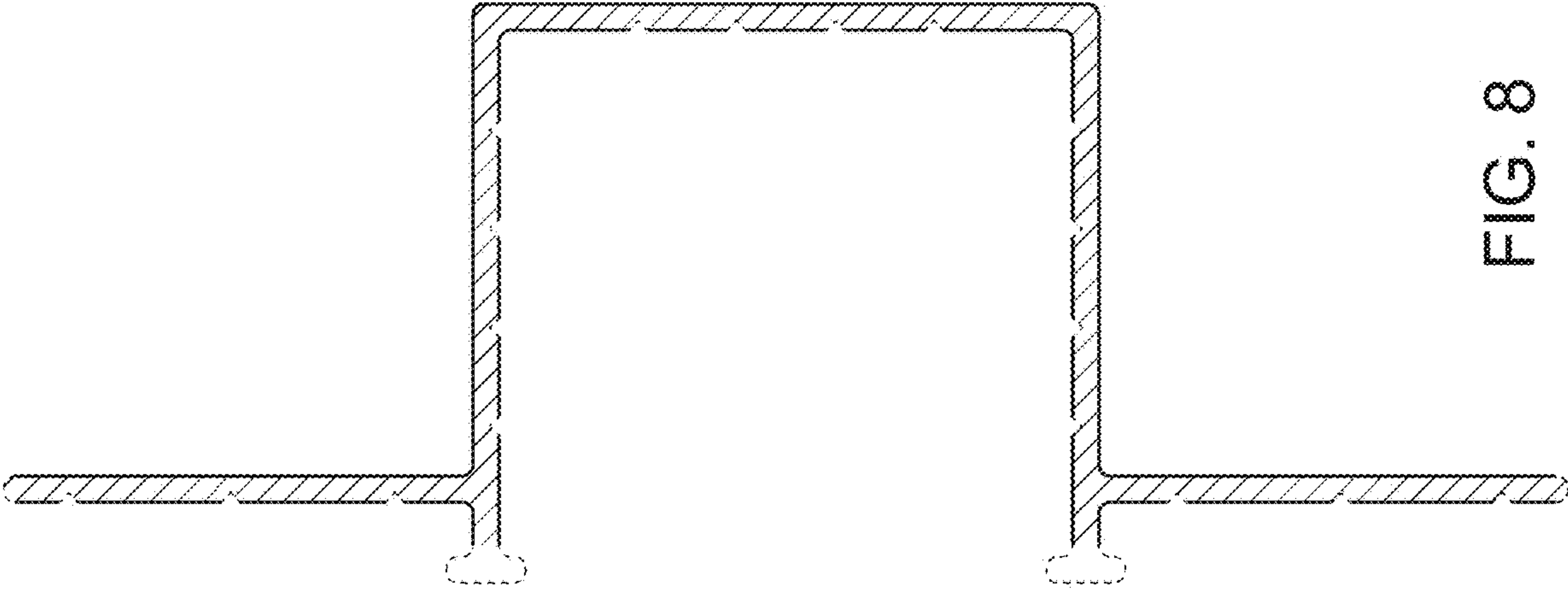


FIG. 8