



US00D913525S

(12) **United States Design Patent** (10) **Patent No.:** **US D913,525 S**
Xuewei et al. (45) **Date of Patent:** **** Mar. 16, 2021**

(54) **FENCE POST TO RAIL CONNECTOR**

FOREIGN PATENT DOCUMENTS

(71) Applicant: **BODO Plastics Company LTD**, Zibo (CN)

CN 301427838 * 12/2010
GB 2487239 7/2012
KR 300677216.0000 * 1/2013

(72) Inventors: **Zhou Xuewei**, Zibo (CN); **Sun Feng**, Zibo (CN)

OTHER PUBLICATIONS

(**) Term: **15 Years**

Veranda White Vinyl Fence Bracket Home Depot <https://www.homedepot.com/p/Veranda-White-Vinyl-Fence-Bracket-Kit-2-Pack-116058/202054802> Earliest photo review Sep. 1, 2015 (Year: 2015).*

(21) Appl. No.: **29/686,025**

(Continued)

(22) Filed: **Apr. 2, 2019**

Primary Examiner — Leanne Was-Englehart

(51) **LOC (13) Cl.** **25-02**

(52) **U.S. Cl.**

USPC **D25/38.1**; D8/354

(58) **Field of Classification Search**

(57) **CLAIM**

USPC D8/349, 354, 363, 373, 380, 382;
D25/38.1, 39, 41.1, 43, 48.5, 61, 126,
D25/127, 131, 136, 164

The ornamental design for a fence post to rail connector, as shown and described.

CPC A63C 19/02; E04H 4/0056; E04H 4/14;
E04H 4/143; E04H 17/00; E04H 17/1413;
E04H 17/1417; E04H 17/1421; E04H
17/1426; F21V 21/088; F21V 27/00;
F21S 8/00; F21W 2131/401; F16B 7/042;
F16B 7/0446; F16B 7/14; E04F 11/1814;
E04F 11/1817; E04F 11/1836

DESCRIPTION

See application file for complete search history.

FIG. 1 is a front view of a fence post to rail connector showing my new design;
FIG. 2 is a rear view of the fence post to rail connector;
FIG. 3 is a right side view of the fence post to rail connector;
FIG. 4 is a left side view of the fence post to rail connector;
FIG. 5 is a top view of the fence post to rail connector;
FIG. 6 is a bottom view of the fence post to rail connector;
FIG. 7 is a top front side perspective exploded view of the fence post to rail connector in use; and,
FIG. 8 is a top front side perspective view of the fence post to rail connector.

(56) **References Cited**

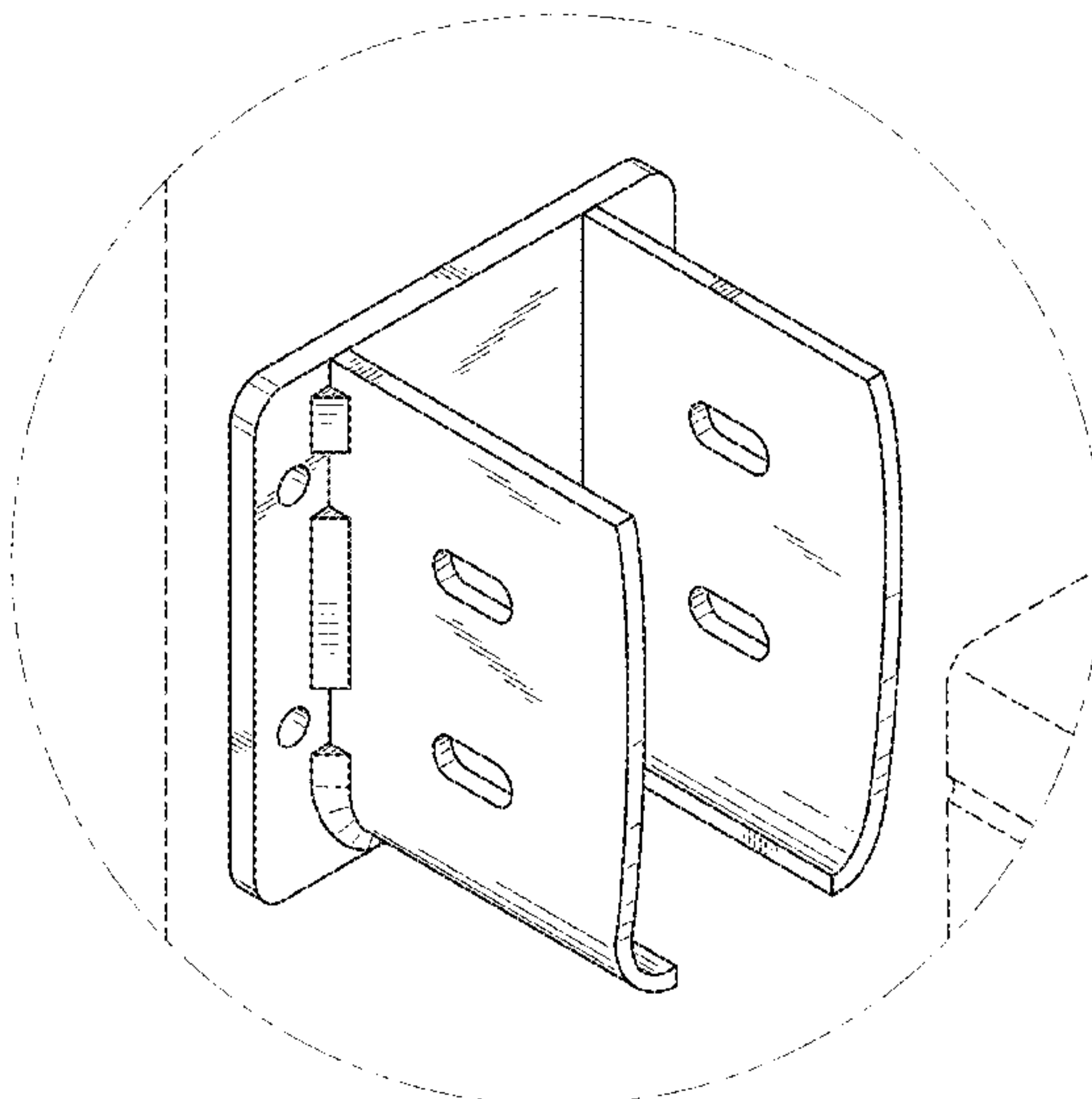
U.S. PATENT DOCUMENTS

491,091 A * 2/1893 Drake F22B 37/202
122/510
529,331 A * 11/1894 Lane E04B 1/2403
403/189
D213,135 S * 1/1969 Shore D8/394
4,114,861 A * 9/1978 Long E04H 17/1413
248/219.4
D252,407 S * 7/1979 Dobias D25/38.1
D257,325 S * 10/1980 Jones D25/199
D303,716 S * 9/1989 Waller D8/354

The broken lines in FIGS. 7 and 8 are illustrative of environmental structure forming no part of the claimed design. The broken line circles in FIGS. 7 and 8 depict the limits of the enlarged view and form no part of the claimed design.

(Continued)

1 Claim, 5 Drawing Sheets



(56)

References Cited

U.S. PATENT DOCUMENTS

5,161,783 A * 11/1992 German E04H 17/1413
256/19
5,186,571 A 2/1993 Hentzschel
5,192,056 A 3/1993 Espinueva
5,702,090 A 12/1997 Edgman
D398,219 S * 9/1998 Campman D8/363
6,478,287 B2 11/2002 DeSouza
6,543,751 B1 * 4/2003 Spruill E04F 11/1817
256/65.04
D478,801 S * 8/2003 Spruill D8/354
6,601,831 B2 8/2003 Erwin
6,637,728 B2 10/2003 Pettit
D502,550 S * 3/2005 Walker D25/38.1
7,007,363 B2 * 3/2006 Forbis E04F 11/1817
256/65.04
D553,968 S * 10/2007 Skinner D8/382
7,731,160 B2 * 6/2010 Terrels E04F 11/1836
256/65.06

D630,346 S * 1/2011 Horta D25/199
D707,366 S * 6/2014 Rowland D25/38.1
8,783,662 B1 7/2014 Russo
2003/0127575 A1 * 7/2003 Forbis E04H 17/1421
248/251
2005/0242335 A1 11/2005 Bunn
2007/0131920 A1 * 6/2007 Platt E04H 17/1421
256/65.02

OTHER PUBLICATIONS

Install_Ins_Belmont_Fence_1728601_060419 https://hw.menardc.com/main/items/media/SHANG004/Install_Instruct/Install_Ins_Belmont_Fence_1728601_0601_92.pdf Last modified Jul. 2, 2019 (Year: 2019).*
Home Depot Post Bracket <https://images.homedepot-static.com/catalog/pdfimages/82/82571c30-41b6-4e6b-887f-8f994db3c4b9.pdf> Last modified Apr. 27, 2017 (Year: 2017).*

* cited by examiner

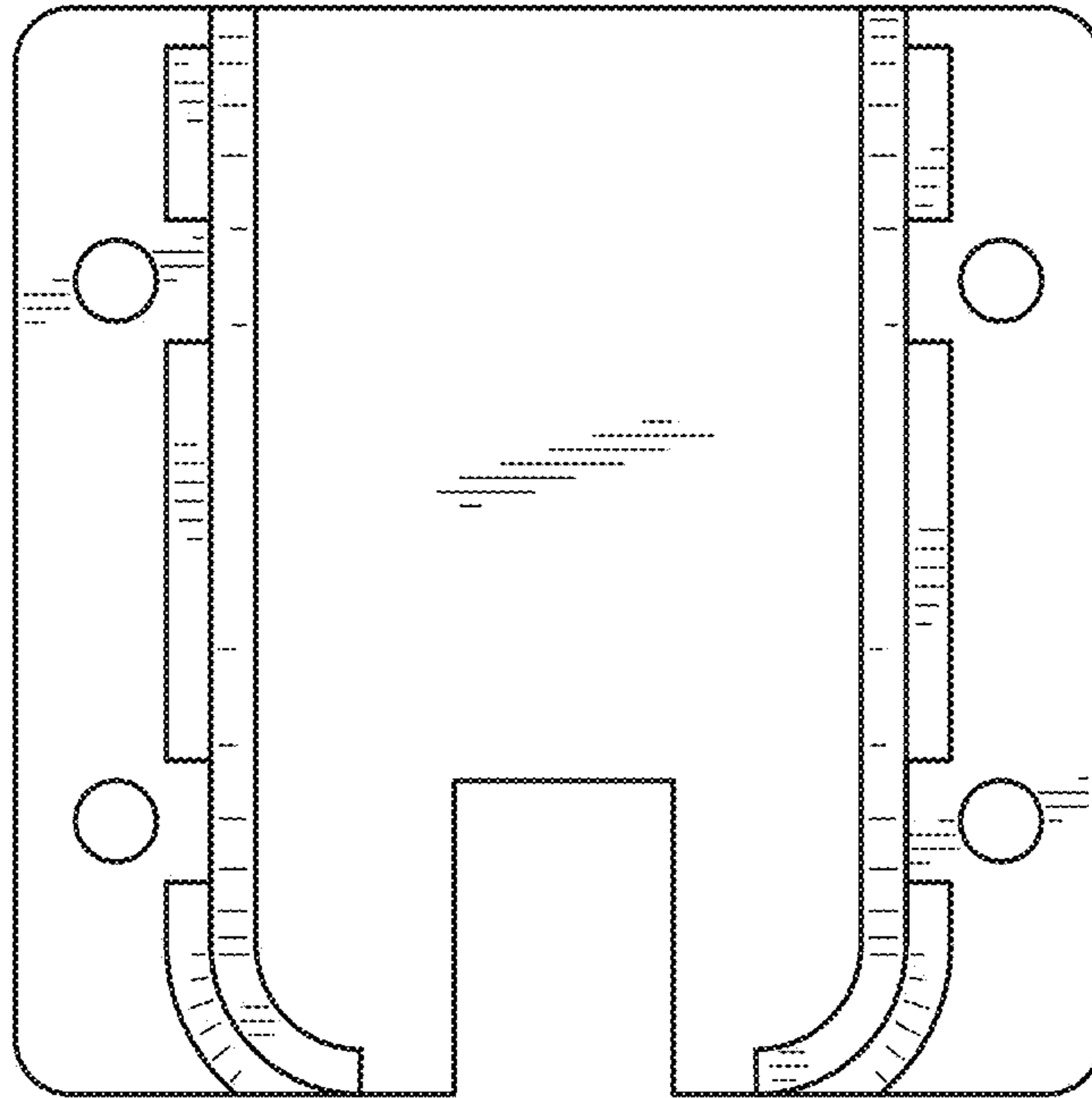


FIG. 1

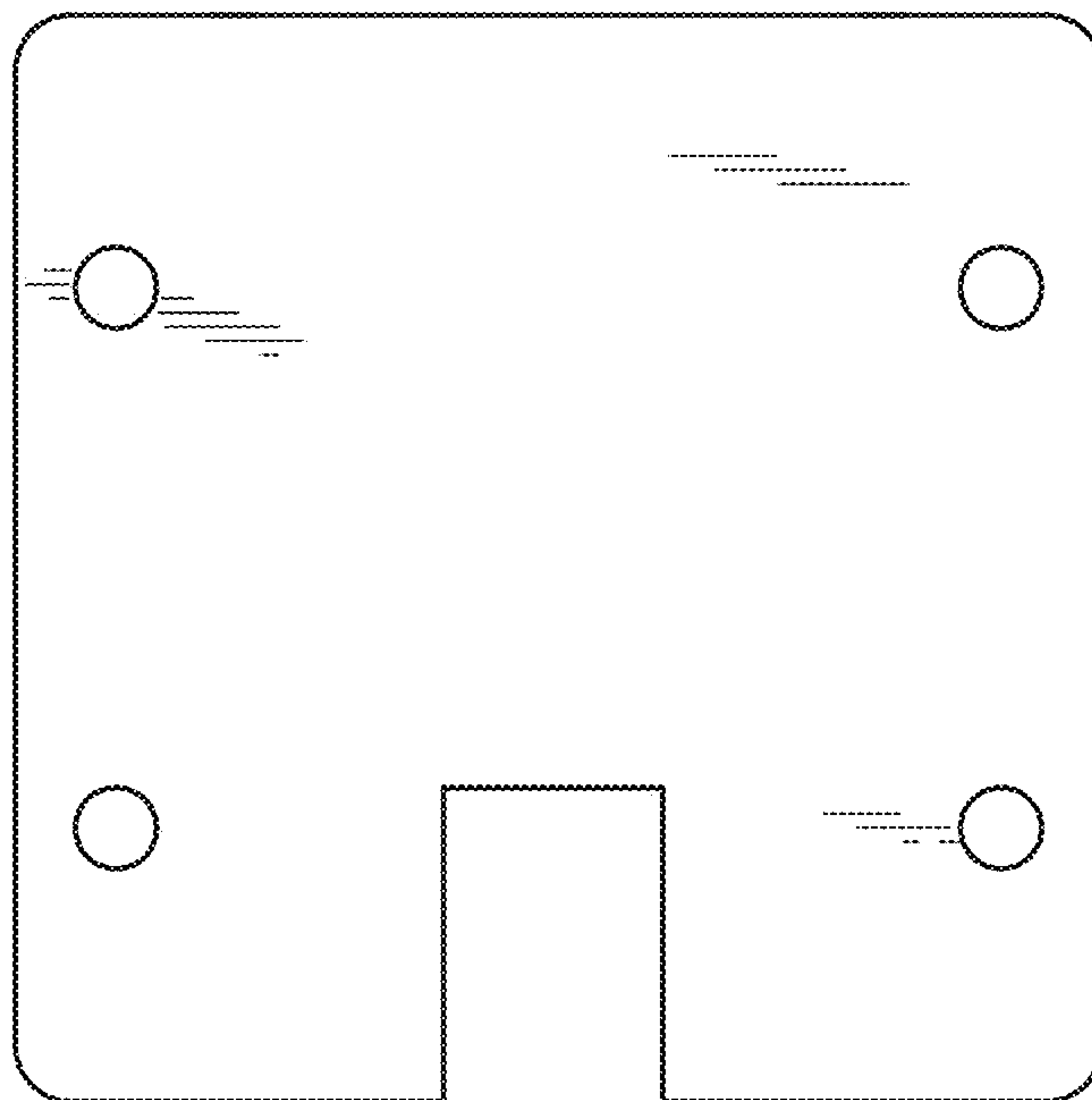


FIG. 2

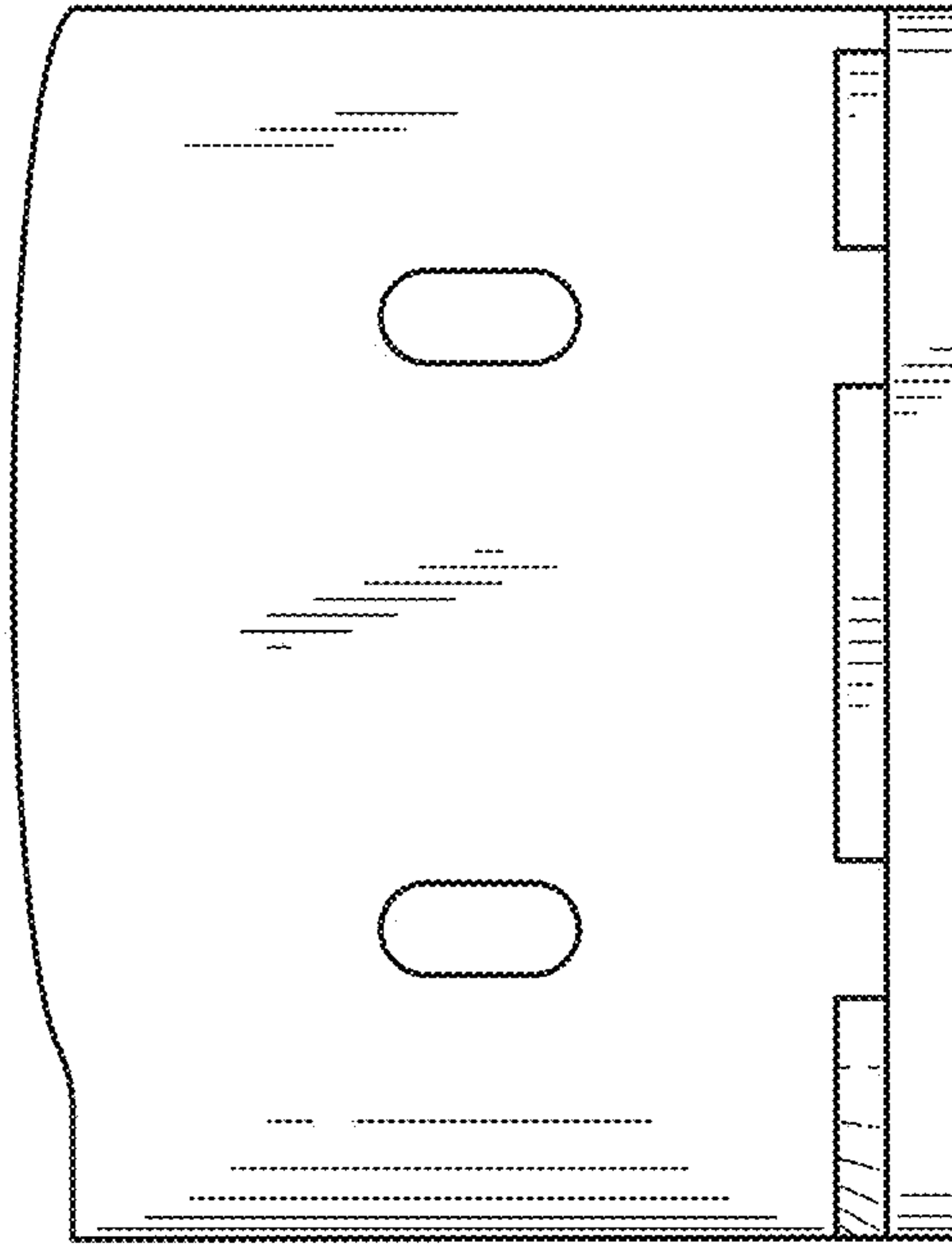


FIG. 3

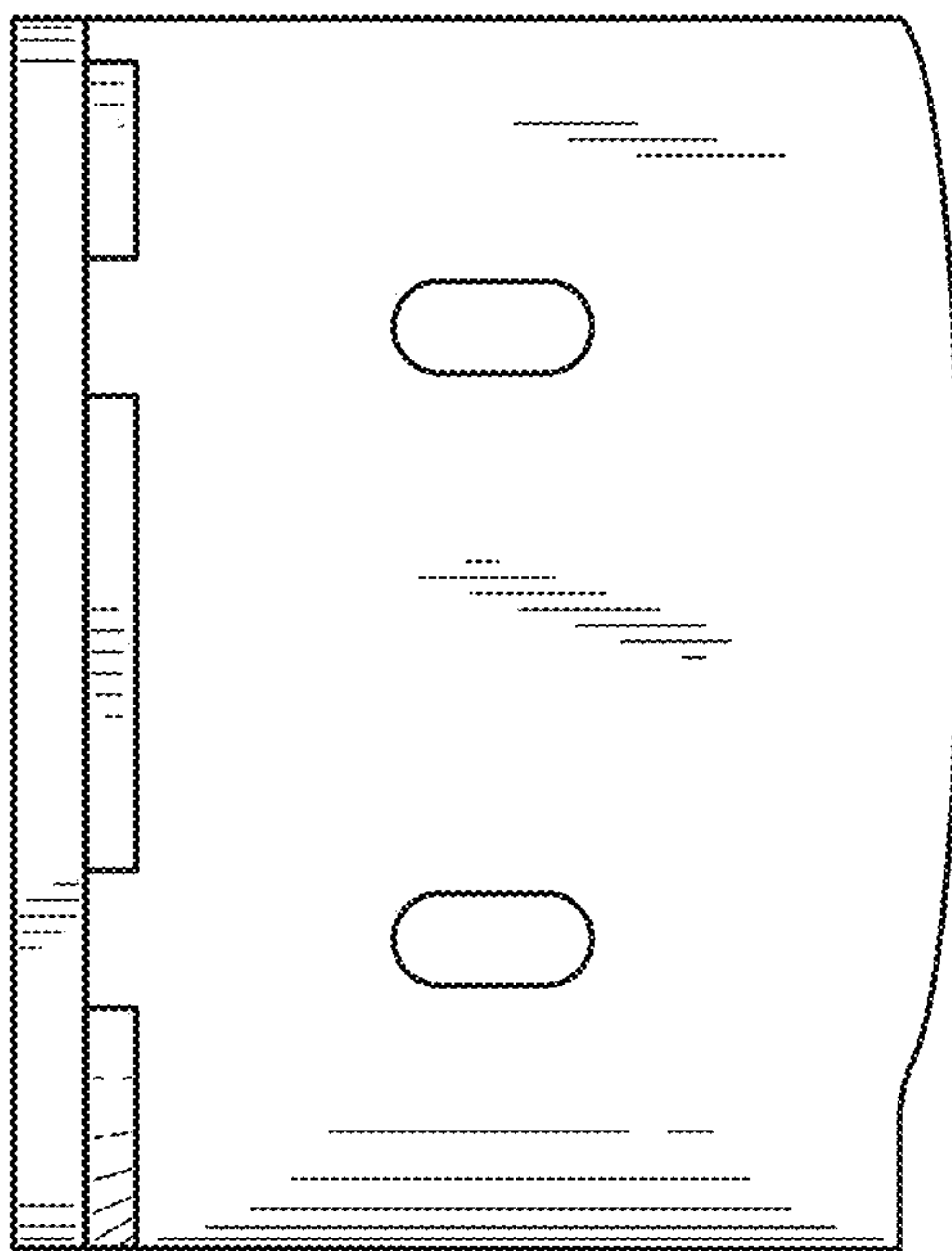


FIG. 4

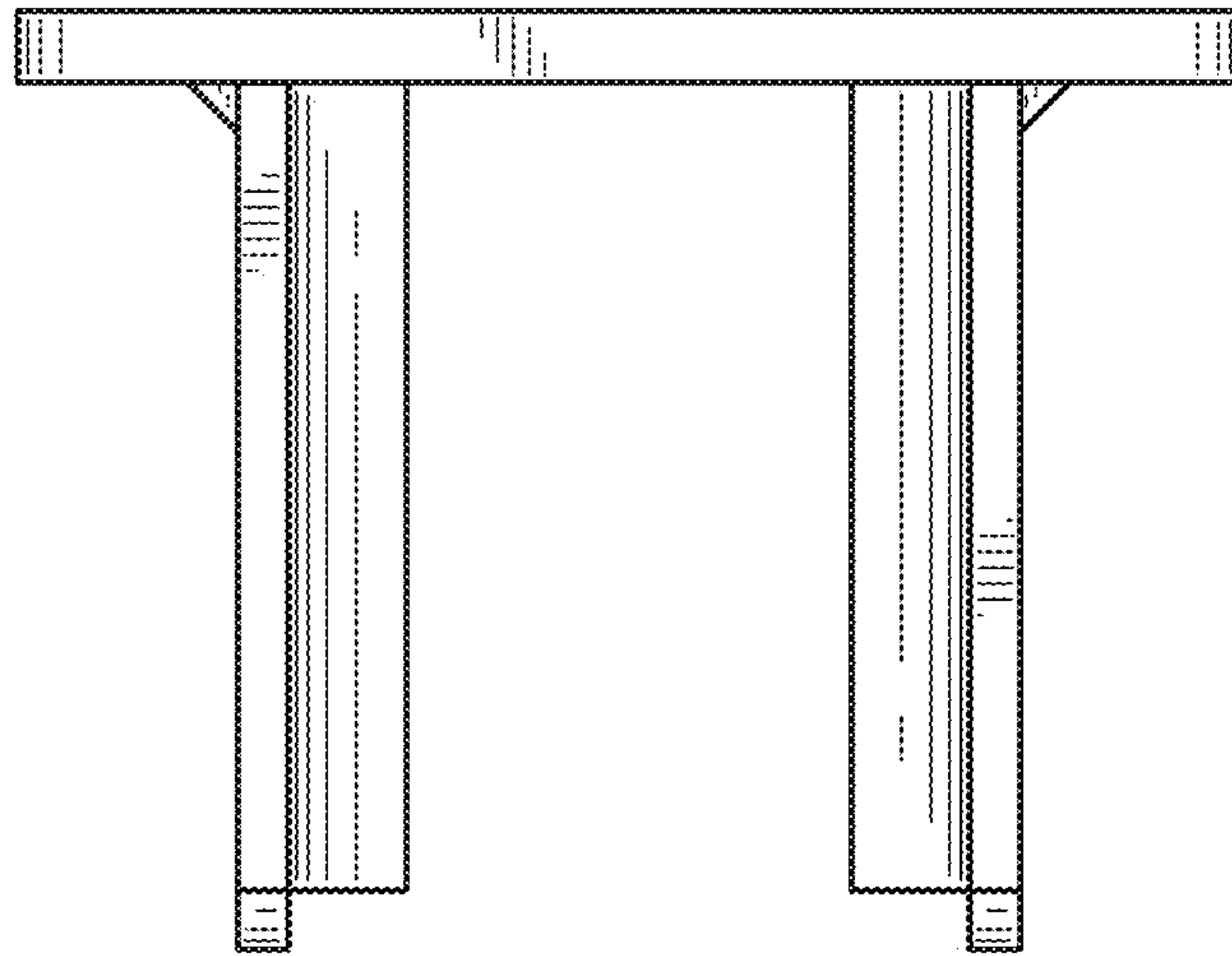


FIG. 5

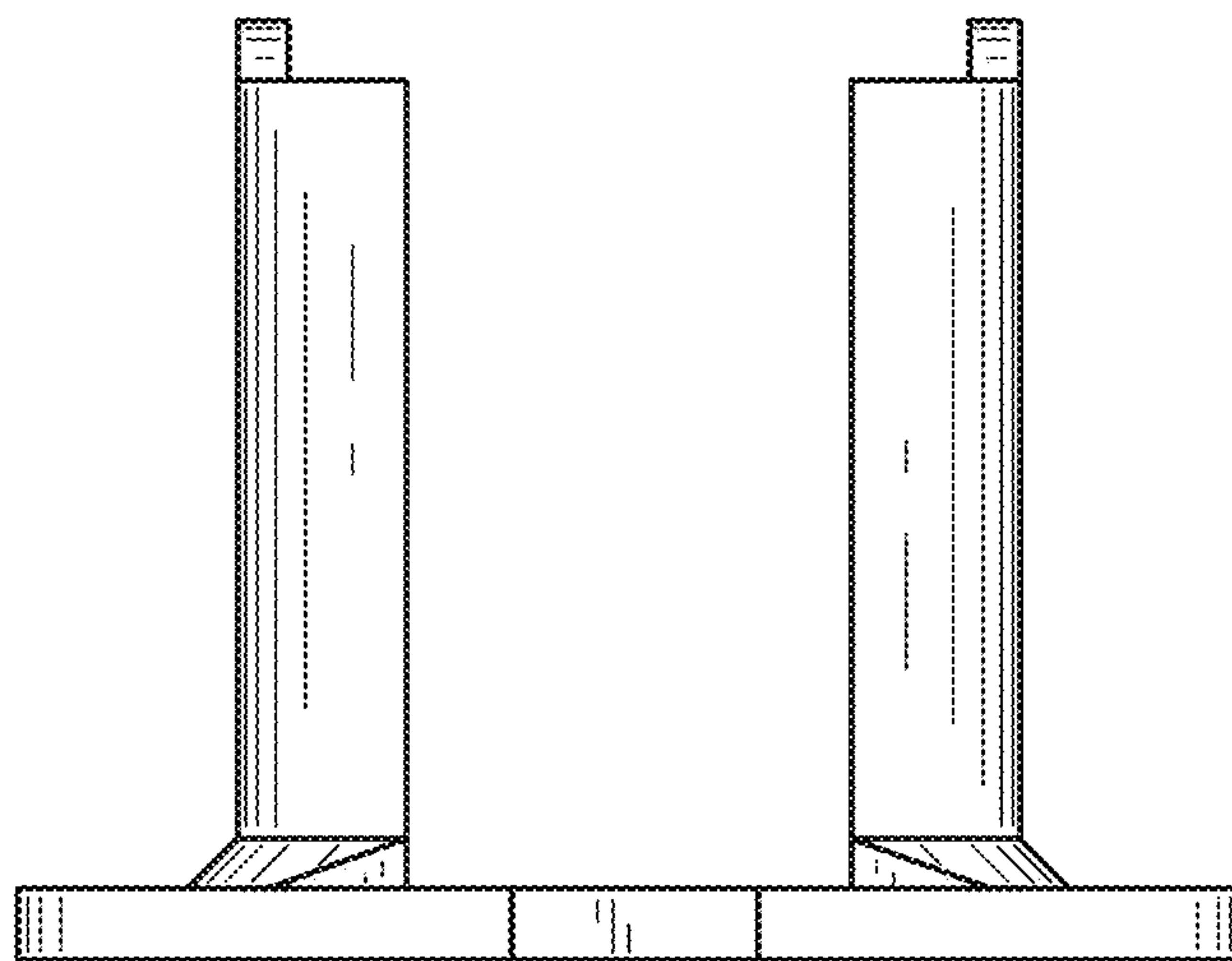
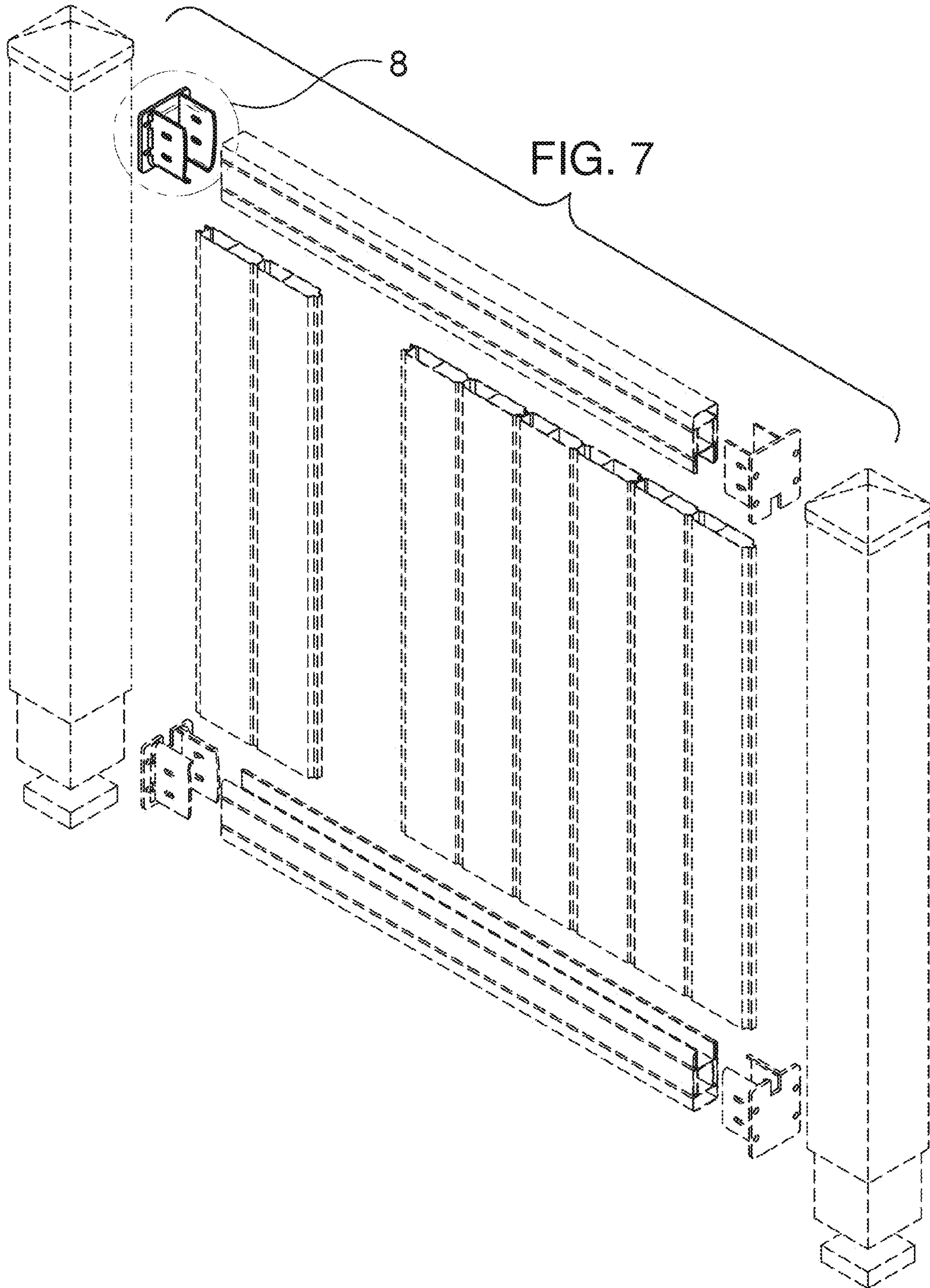


FIG. 6



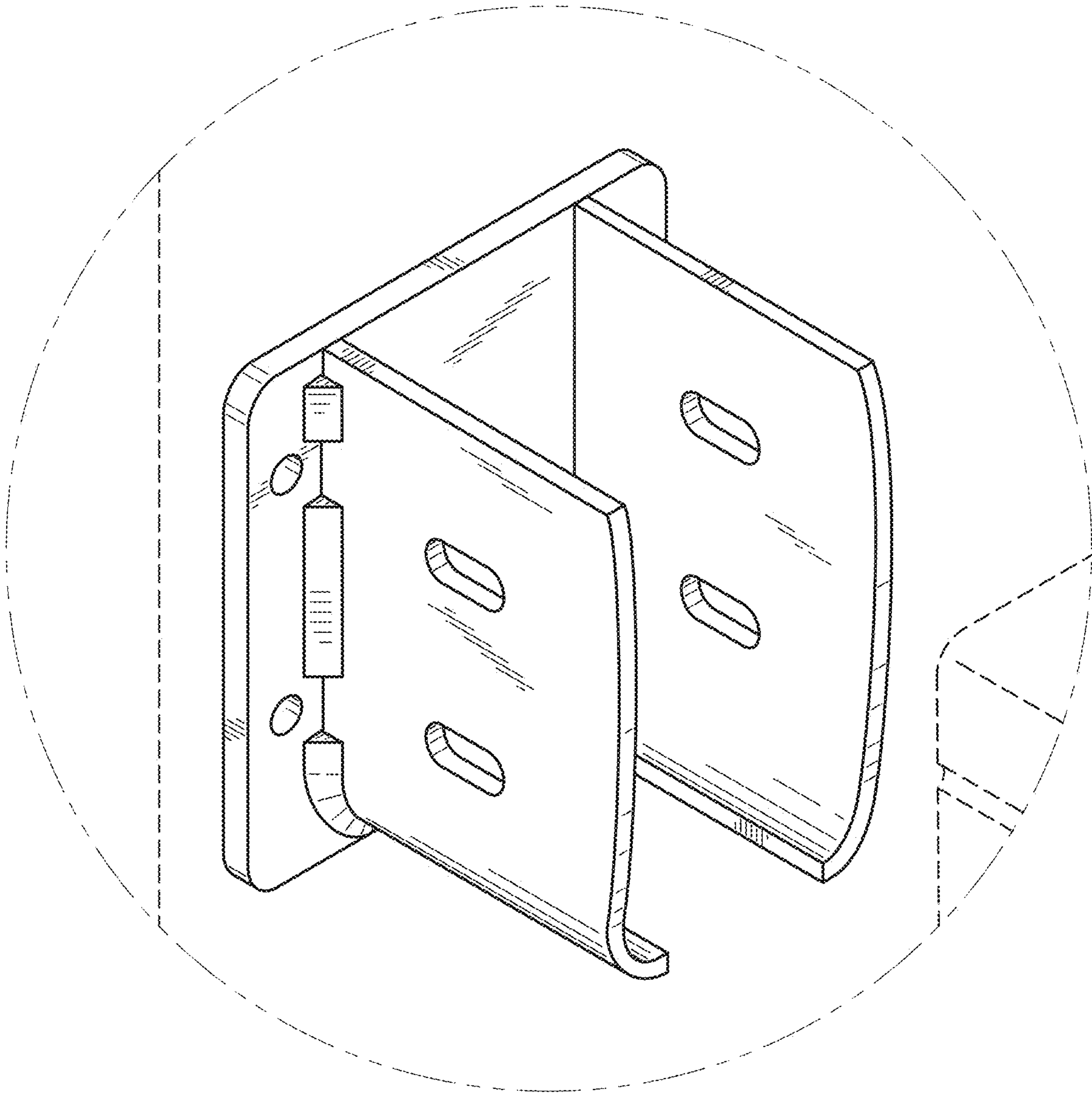


FIG. 8