

US00D913522S

(12) **United States Design Patent** (10) **Patent No.:** **US D913,522 S**
Robinson et al. (45) **Date of Patent:** **** Mar. 16, 2021**

- (54) **INDIVIDUAL SAMPLE TRAY**
- (71) Applicant: **Devicor Medical Products, Inc.**,
Cincinnati, OH (US)
- (72) Inventors: **Andrew Robinson**, Cincinnati, OH
(US); **Rachel Yoon Choung**, Studio
City, CA (US); **Mark A. Graham**,
Maineville, OH (US); **Andrew P. Nock**,
Dayton, OH (US); **Brennan G.**
McCabe, Cincinnati, OH (US)
- (73) Assignee: **Devicor Medical Products, Inc.**,
Cincinnati, OH (US)
- (**) Term: **15 Years**
- (21) Appl. No.: **29/670,489**
- (22) Filed: **Nov. 16, 2018**
- (51) **LOC (13) Cl.** **24-02**
- (52) **U.S. Cl.**
USPC **D24/227**
- (58) **Field of Classification Search**
USPC D24/156, 127-128, 185, 216-232;
D7/354, 361, 500, 550.1, 554.3, 587, 602;
D3/304, 307, 308, 314, 315
CPC A61B 50/36; A61B 2050/3011
See application file for complete search history.

- 2015/0327842 A1 11/2015 Rhad et al.
- 2016/0166331 A1 6/2016 Leimbach et al.
- 2017/0311935 A1 11/2017 Choung et al.
- 2018/0153524 A1 6/2018 Nock et al.
- 2018/0153526 A1 6/2018 Nock et al.
- 2018/0153529 A1 6/2018 Nock et al.
- 2018/0242959 A1 8/2018 Keller
- 2018/0325500 A1 11/2018 Shuart et al.
- 2018/0325501 A1 11/2018 Robinson et al.

FOREIGN PATENT DOCUMENTS

JP D2018-822 * 1/2018

* cited by examiner

Primary Examiner — Susan Bennett Hattan

Assistant Examiner — Omeed Agilee

(74) *Attorney, Agent, or Firm* — Frost Brown Todd LLC

(57) **CLAIM**

The ornamental design for an individual sample tray, as shown and described.

DESCRIPTION

FIG. 1 is a top perspective view of an individual sample tray, showing our new design;

FIG. 2 is a bottom perspective view thereof;

FIG. 3 is a rear elevation view thereof;

FIG. 4 is a front elevation view thereof;

FIG. 5 is a left elevation view thereof;

FIG. 6 is a right elevation view thereof;

FIG. 7 is a top plan view thereof; and,

FIG. 8 is a bottom plan view thereof.

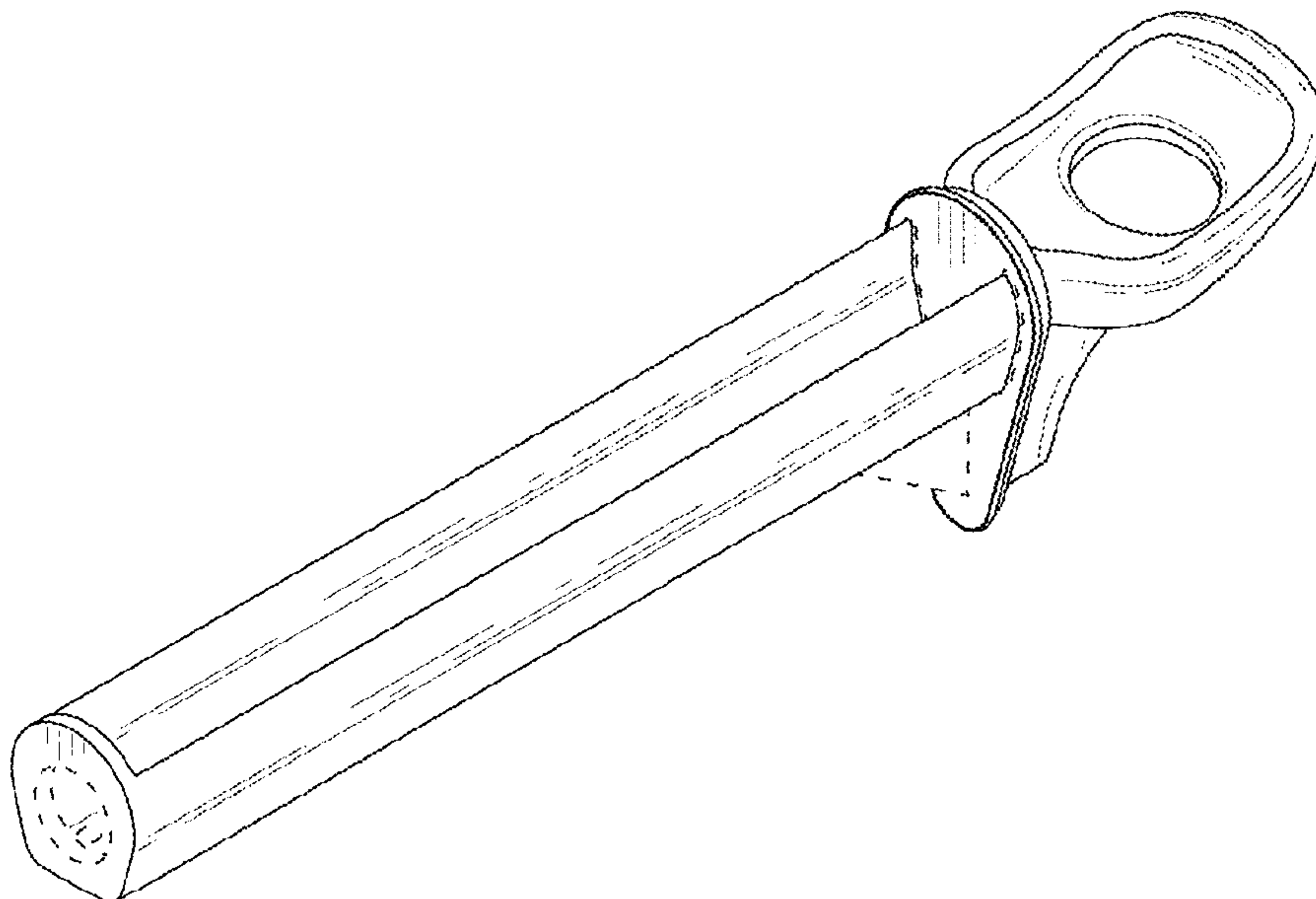
The broken lines depict portions of the individual sample tray that form no part of the claimed design. The small circular features shown in FIGS. 2, 7, and 8 depict environmental subject matter and form no part of the claimed design.

(56) **References Cited**

U.S. PATENT DOCUMENTS

- 3,713,985 A * 1/1973 Astle B01L 3/5085
435/33
- D249,706 S * 9/1978 Adamski D24/230
- D274,259 S * 6/1984 Hamilton D24/221
- D432,244 S * 10/2000 Anderson D24/223
- D799,059 S * 10/2017 Self D24/227
- 10,028,730 B2 7/2018 Fiebig et al.
- 10,064,607 B2 9/2018 Keller et al.

1 Claim, 5 Drawing Sheets



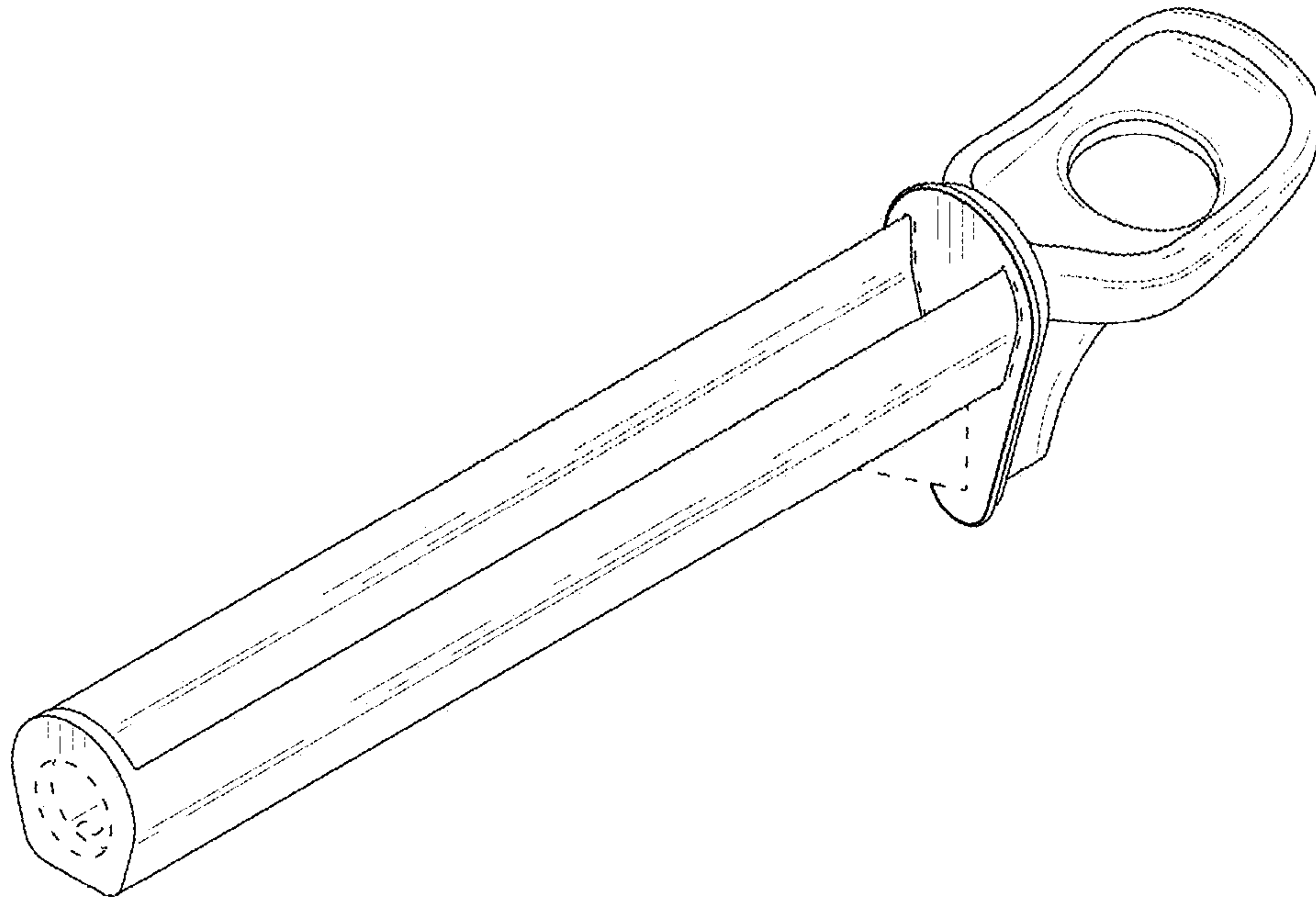


FIG. 1

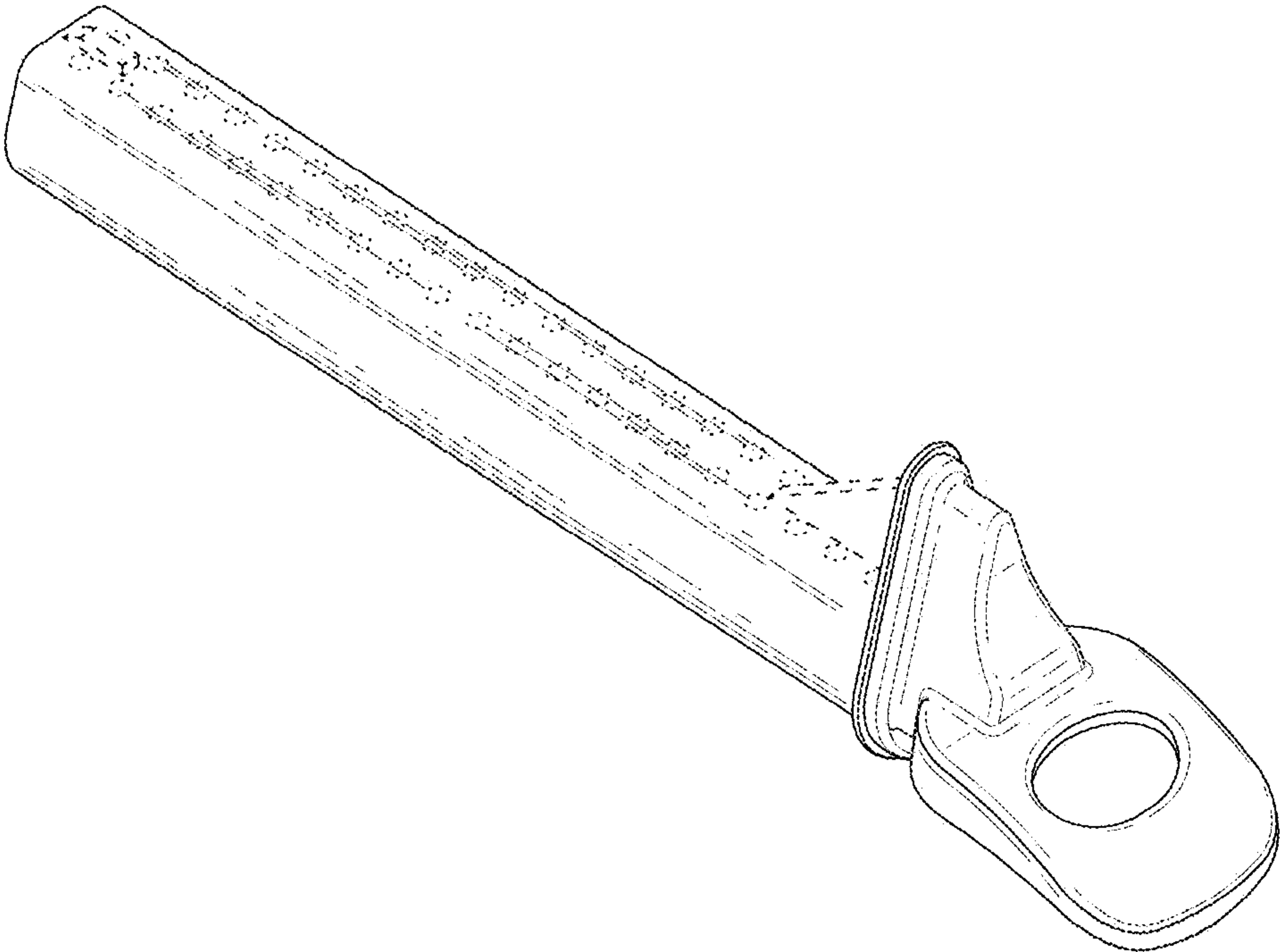


FIG. 2

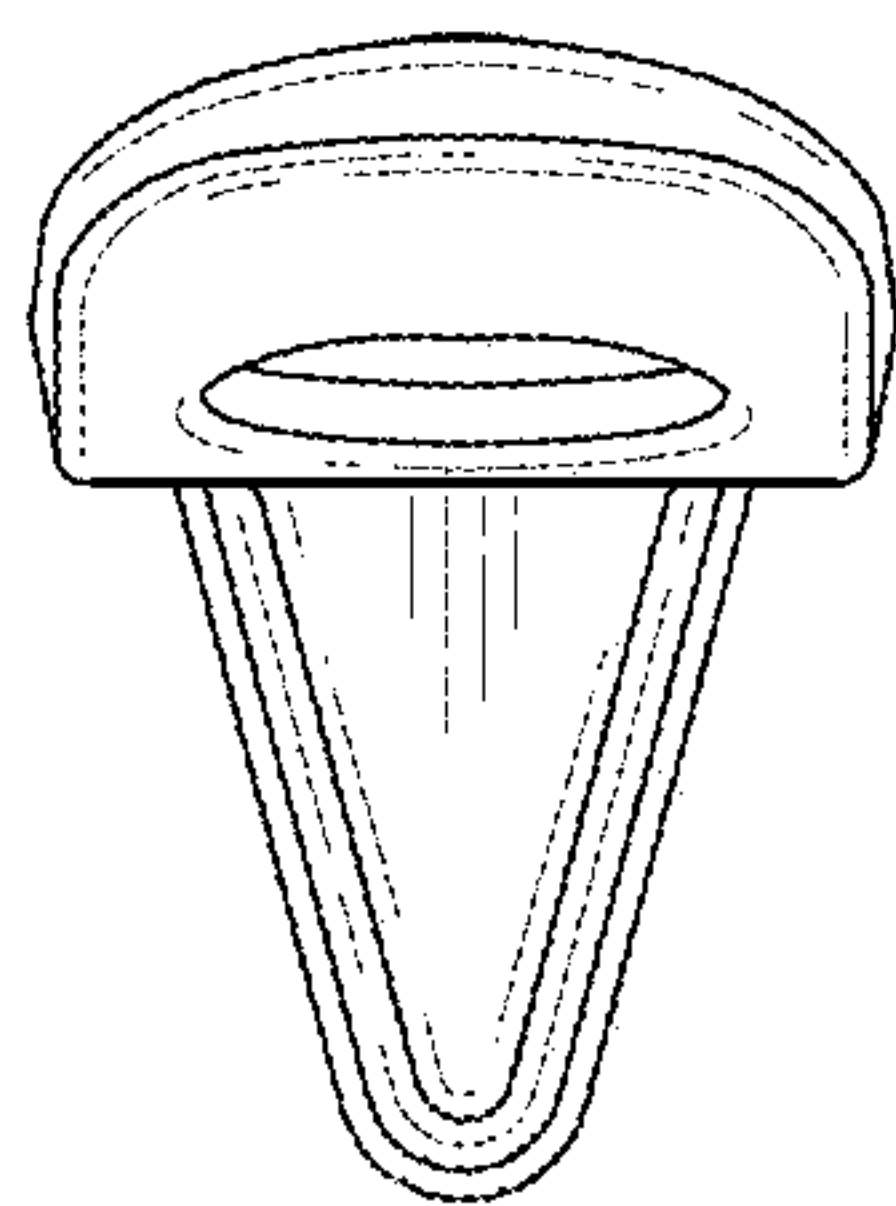


FIG. 3

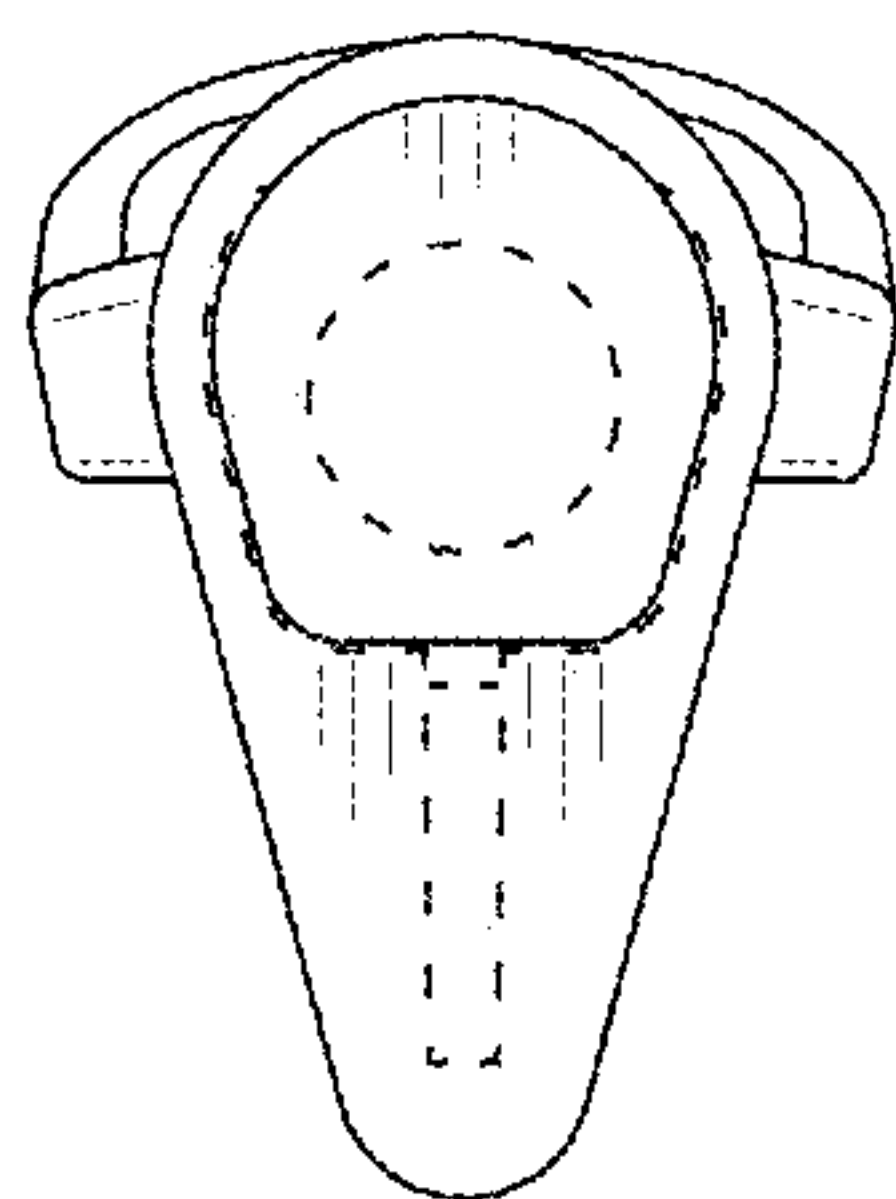


FIG. 4

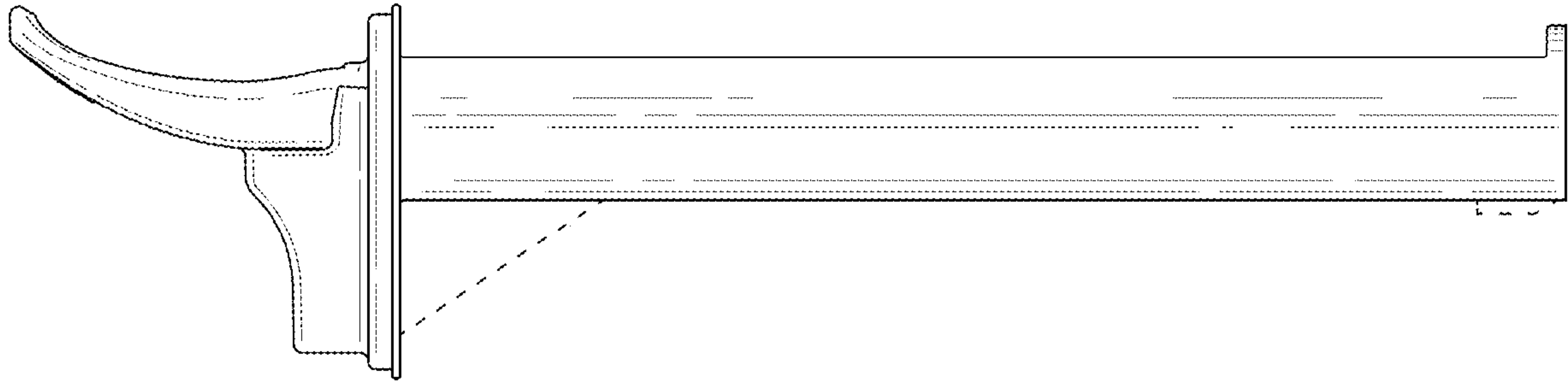


FIG. 5

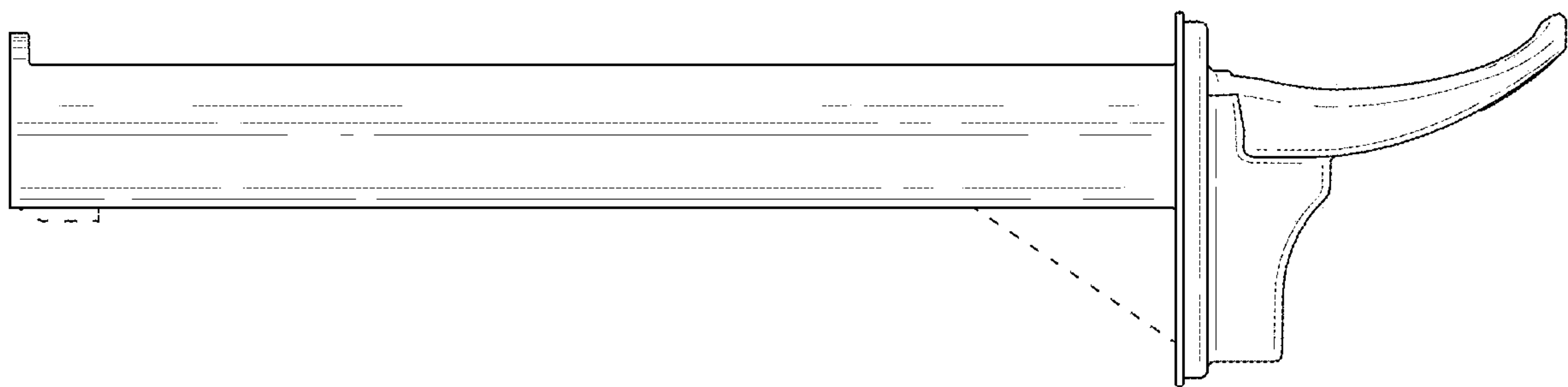


FIG. 6

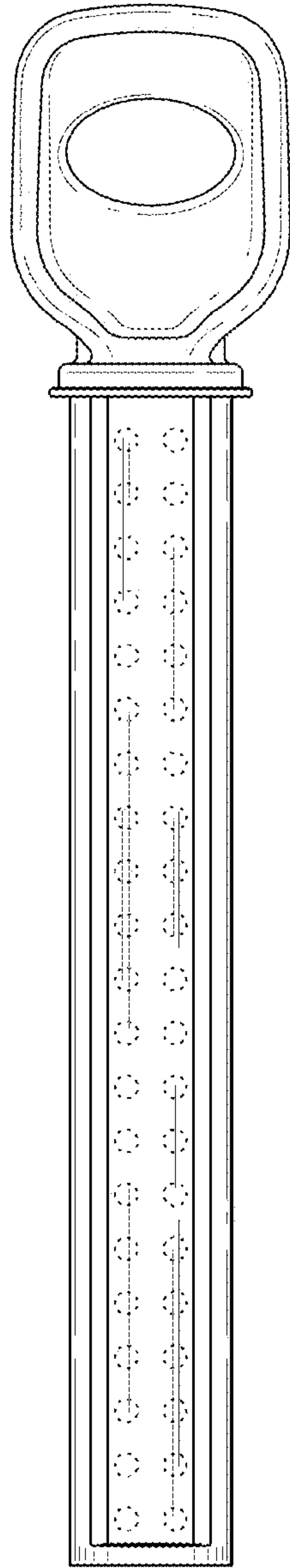


FIG. 7

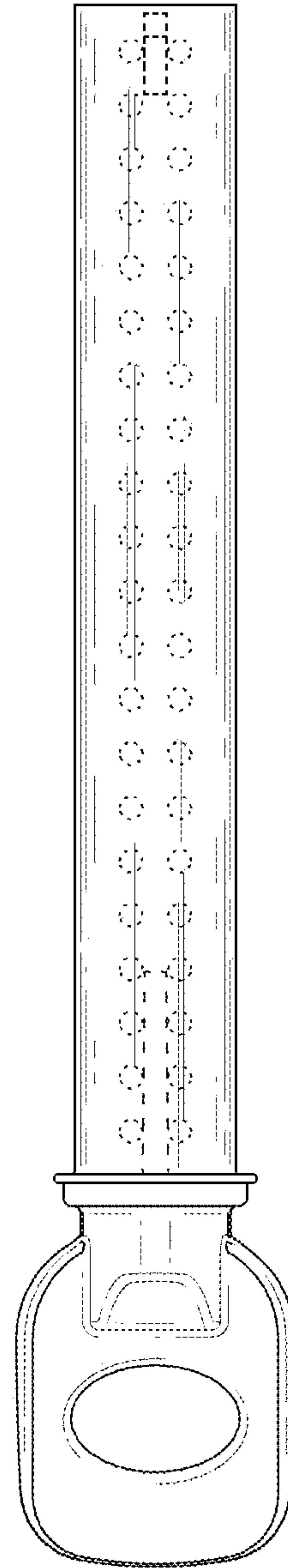


FIG. 8