



US00D913521S

(12) **United States Design Patent**  
**Hong et al.**

(10) **Patent No.:** **US D913,521 S**  
(45) **Date of Patent:** **\*\* Mar. 16, 2021**

(54) **COMBINATION OF SALIVA COLLECTOR AND TEST DEVICE**

(71) Applicant: **Hangzhou Biotest Biotech Co., LTD.**, Hangzhou (CN)

(72) Inventors: **Liang Hong**, Hangzhou (CN); **Ling Yun**, Hangzhou (CN)

(73) Assignee: **Hangzhou Biotest Biotech Co., Ltd.**, Hangzhou (CN)

(\*\*) Term: **15 Years**

(21) Appl. No.: **29/672,894**

(22) Filed: **Dec. 10, 2018**

(30) **Foreign Application Priority Data**

Aug. 2, 2018 (CN) ..... 201830422072.4

(51) **LOC (13) Cl.** ..... **24-02**

(52) **U.S. Cl.**  
USPC ..... **D24/224**

(58) **Field of Classification Search**  
USPC ..... D24/107, 108, 112, 121, 127, 129, 133, D24/186, 216, 222-233; D10/81; D9/503, 504, 505, 529, 530, 549  
CPC ..... A61B 10/0051; A61B 10/0096  
See application file for complete search history.

(56) **References Cited**

**U.S. PATENT DOCUMENTS**

- D310,781 S \* 9/1990 Scott, III ..... D9/504
- 5,119,830 A \* 6/1992 Davis ..... B01L 3/502  
422/568
- 6,562,300 B2 \* 5/2003 Rosen ..... A61M 25/0612  
215/211
- D507,351 S \* 7/2005 Birnboim ..... D24/216
- D620,590 S \* 7/2010 Wan ..... D24/121
- D631,169 S \* 1/2011 Cheeley ..... D24/224

(Continued)

**FOREIGN PATENT DOCUMENTS**

CN 201930504228.8 \* 9/2019

**OTHER PUBLICATIONS**

Oral-Fluid Saliva Cup S2. Online, published date unknown. Retrieved on Feb. 13, 2020 from URL: <https://www.ultimed.org/produkte/oral-fluid-saliva-cup-s2/>.\*

*Primary Examiner* — Janice Hallmark

*Assistant Examiner* — Omeed Agilee

(74) *Attorney, Agent, or Firm* — Thomas Horstemeyer, LLP

(57) **CLAIM**

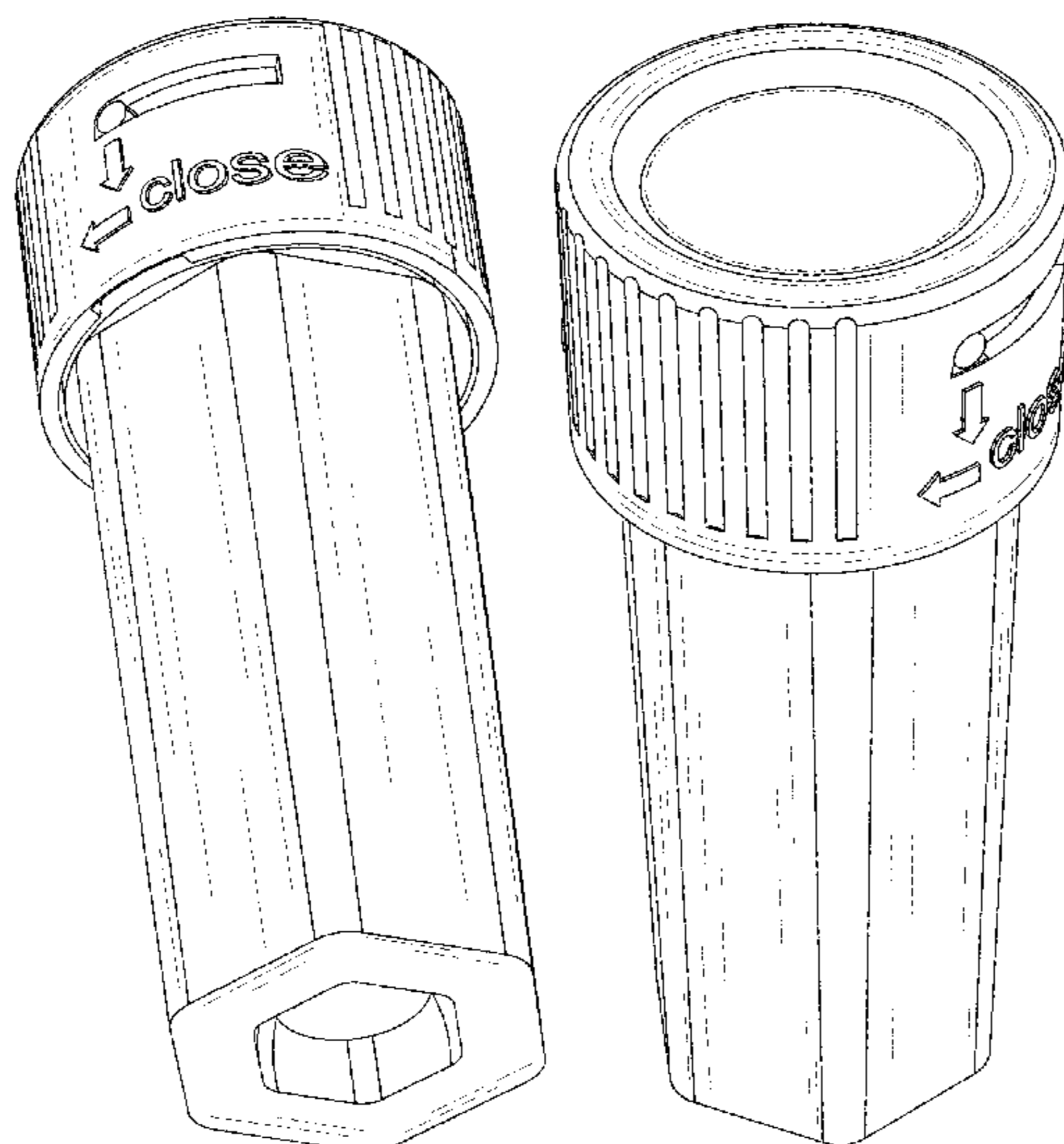
The ornamental design for a combination of saliva collector and test device, as shown and described.

**DESCRIPTION**

FIG. 1 is a front view of a combination of saliva collector and test device according to the present design;  
 FIG. 2 is a back view of the combination of saliva collector and test device of FIG. 1;  
 FIG. 3 is a top view of the combination of saliva collector and test device of FIG. 1;  
 FIG. 4 is a bottom view of the combination of saliva collector and test device of FIG. 1;  
 FIG. 5 is a right view of the combination of saliva collector and test device of FIG. 1;  
 FIG. 6 is a left view of the combination of saliva collector and test device of FIG. 1;  
 FIG. 7 is a perspective view of the combination of saliva collector and test device of FIG. 1; and,  
 FIG. 8 is another perspective view of the combination of saliva collector and test device of FIG. 1.

The evenly spaced broken lines in the drawings depict portions of the saliva collector that form no part of the claimed design. The dot-dash-dot broken lines depict the boundaries of the claim and form no part thereof.

**1 Claim, 8 Drawing Sheets**



(56)

**References Cited**

U.S. PATENT DOCUMENTS

D639,446	S *	6/2011	Smith .....	D24/224
D677,379	S *	3/2013	Orsing .....	D24/108
D690,433	S *	9/2013	Karpiloff .....	D24/224
D741,993	S *	10/2015	Tominaga .....	D24/108
D743,571	S *	11/2015	Jackson .....	D24/216
D767,158	S *	9/2016	Wang .....	D24/223
D767,757	S *	9/2016	Hole .....	D24/121
D790,726	S *	6/2017	Plante .....	D24/121
D797,303	S *	9/2017	Wan .....	D24/224
D852,375	S *	6/2019	Druga, Sr. ....	D24/224
D860,472	S *	9/2019	Blake .....	D24/224
D864,774	S *	10/2019	Lei .....	D10/81
2003/0133844	A1 *	7/2003	Conway .....	B01L 3/5082 422/400
2009/0308184	A1 *	12/2009	Blekher .....	A61B 5/1411 73/864.63
2012/0295362	A1 *	11/2012	Bland .....	G01N 33/946 436/92

\* cited by examiner

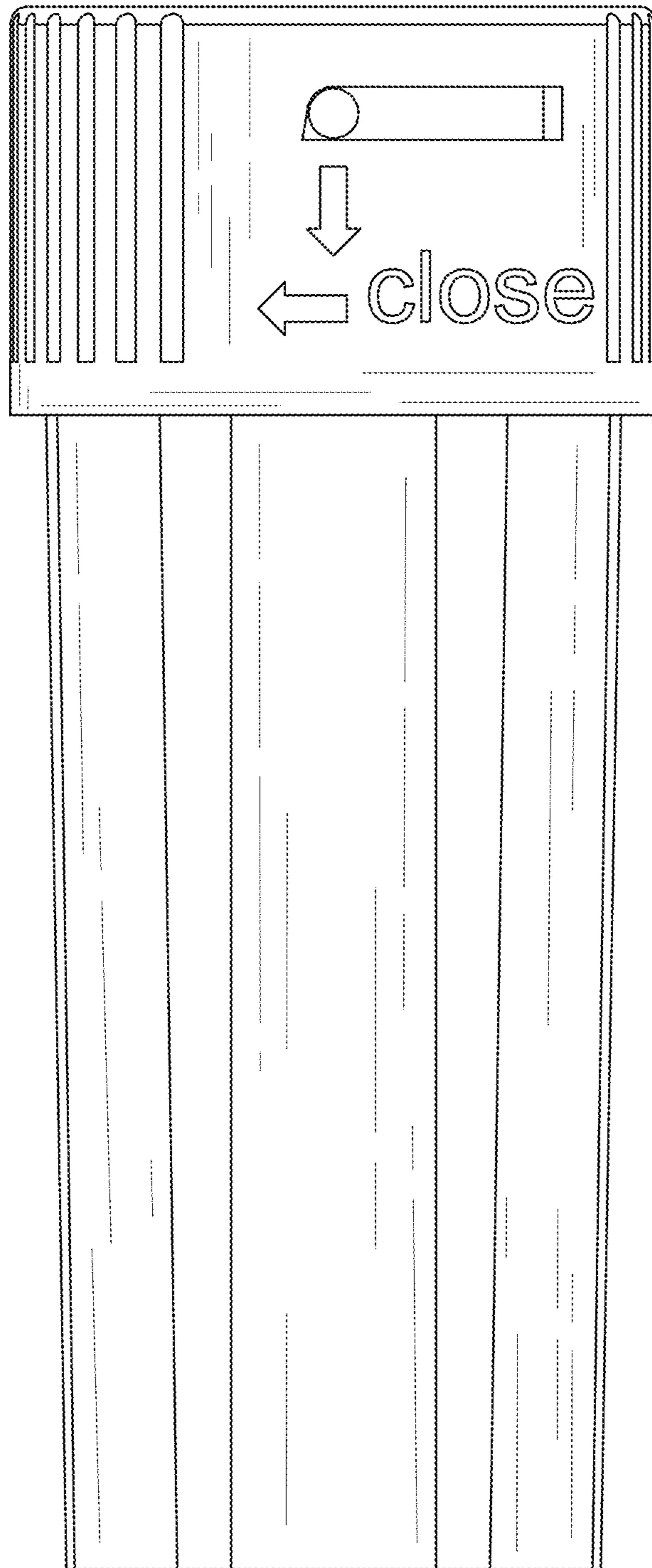


Fig. 1

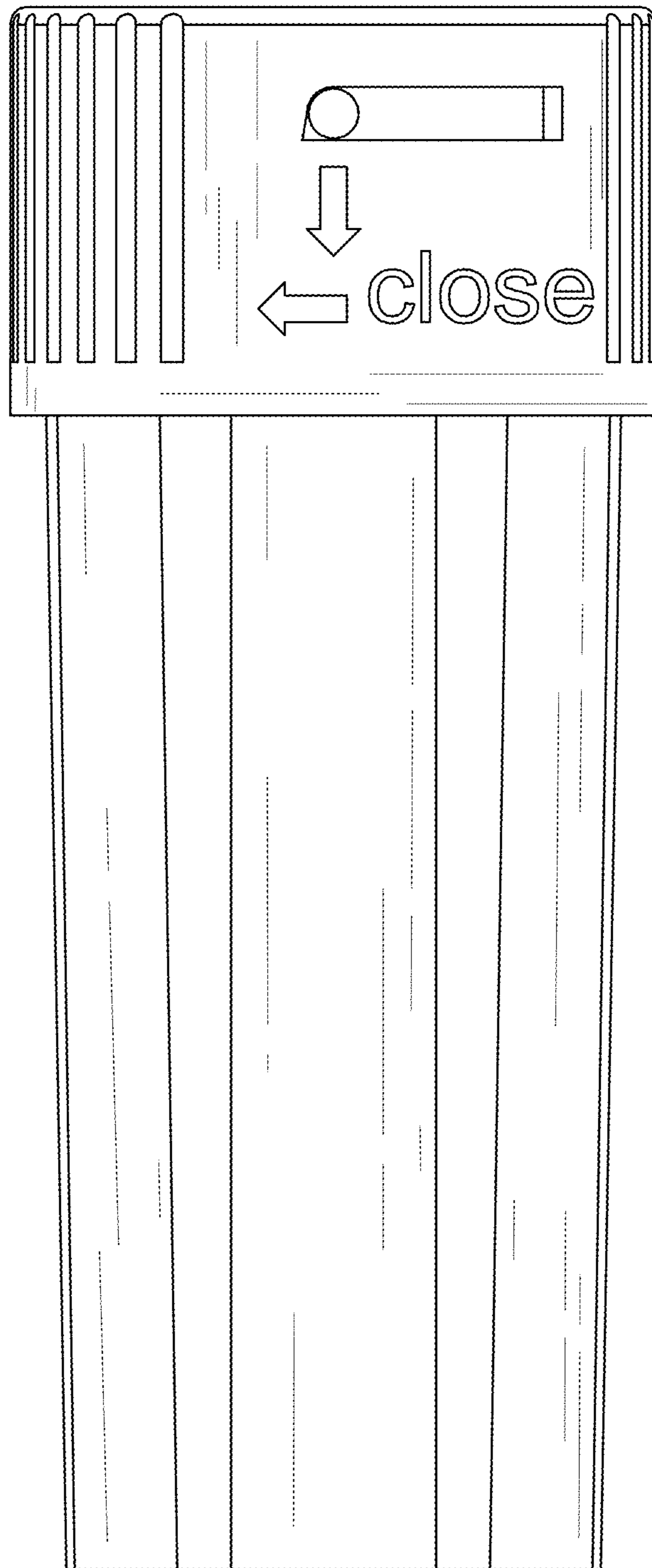


Fig. 2

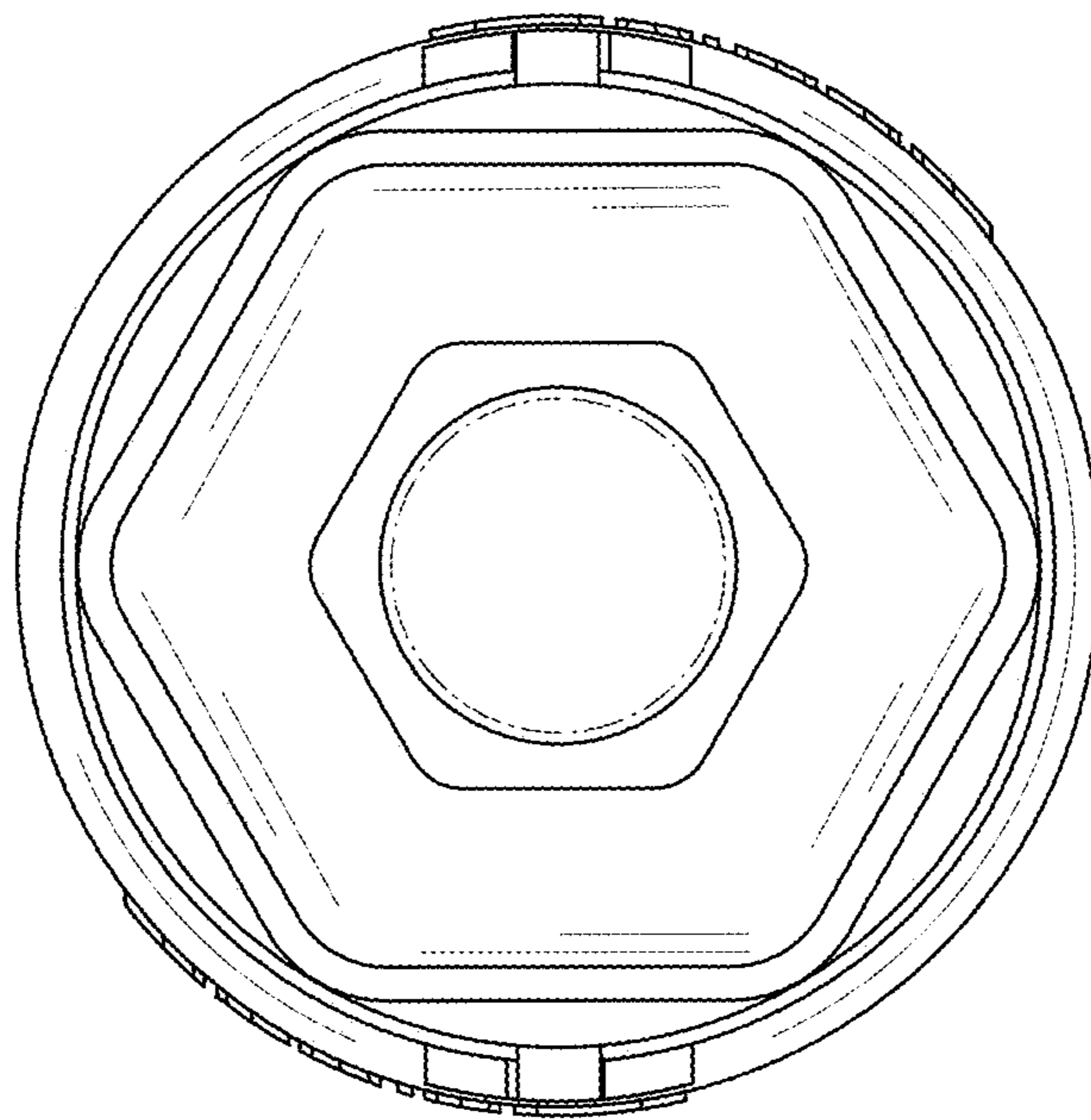


Fig. 3

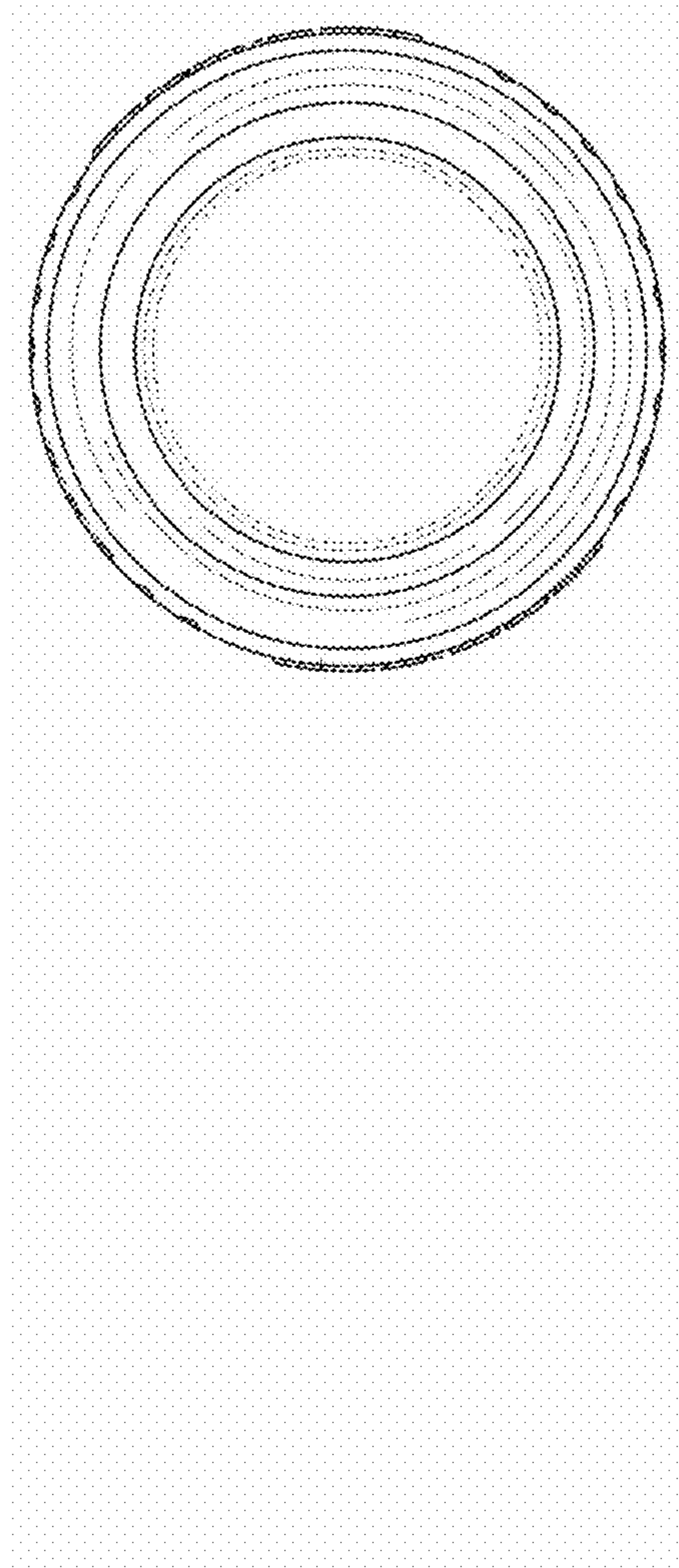


FIG. 4

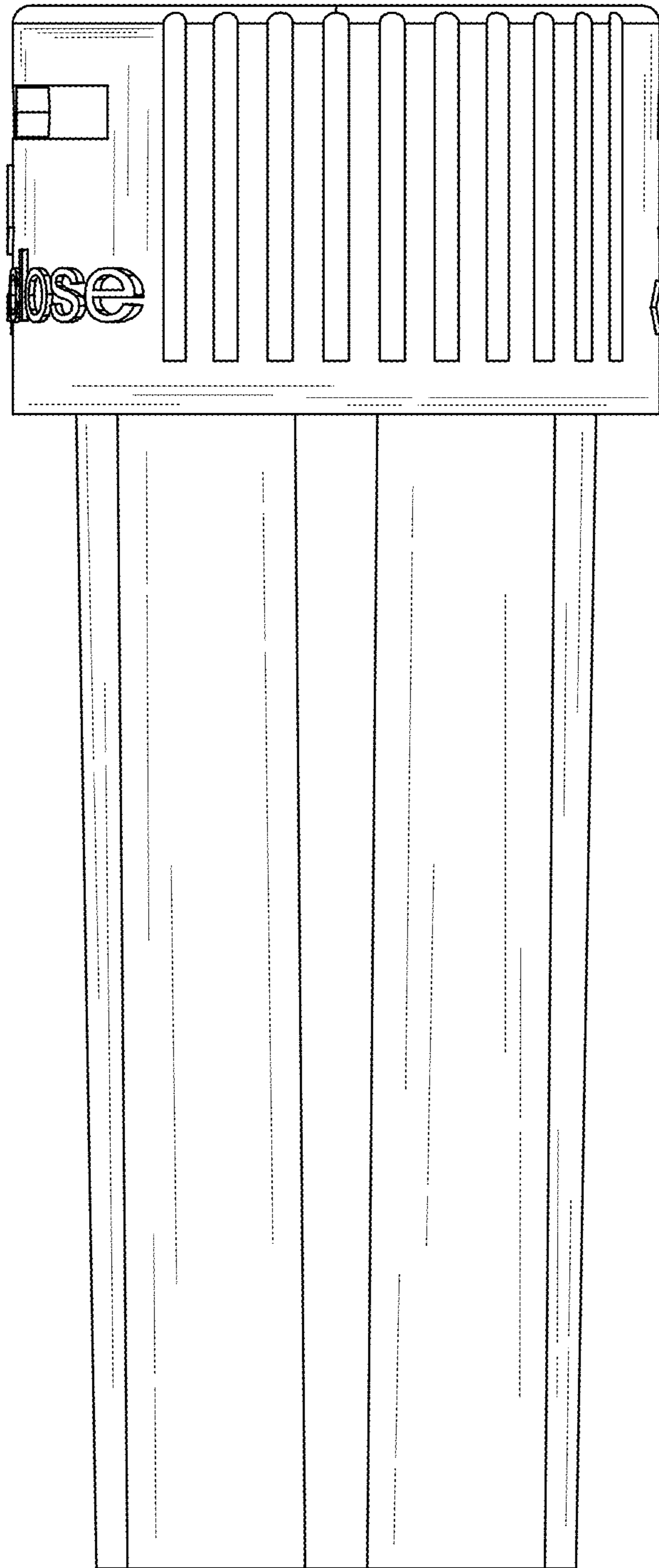


Fig. 5

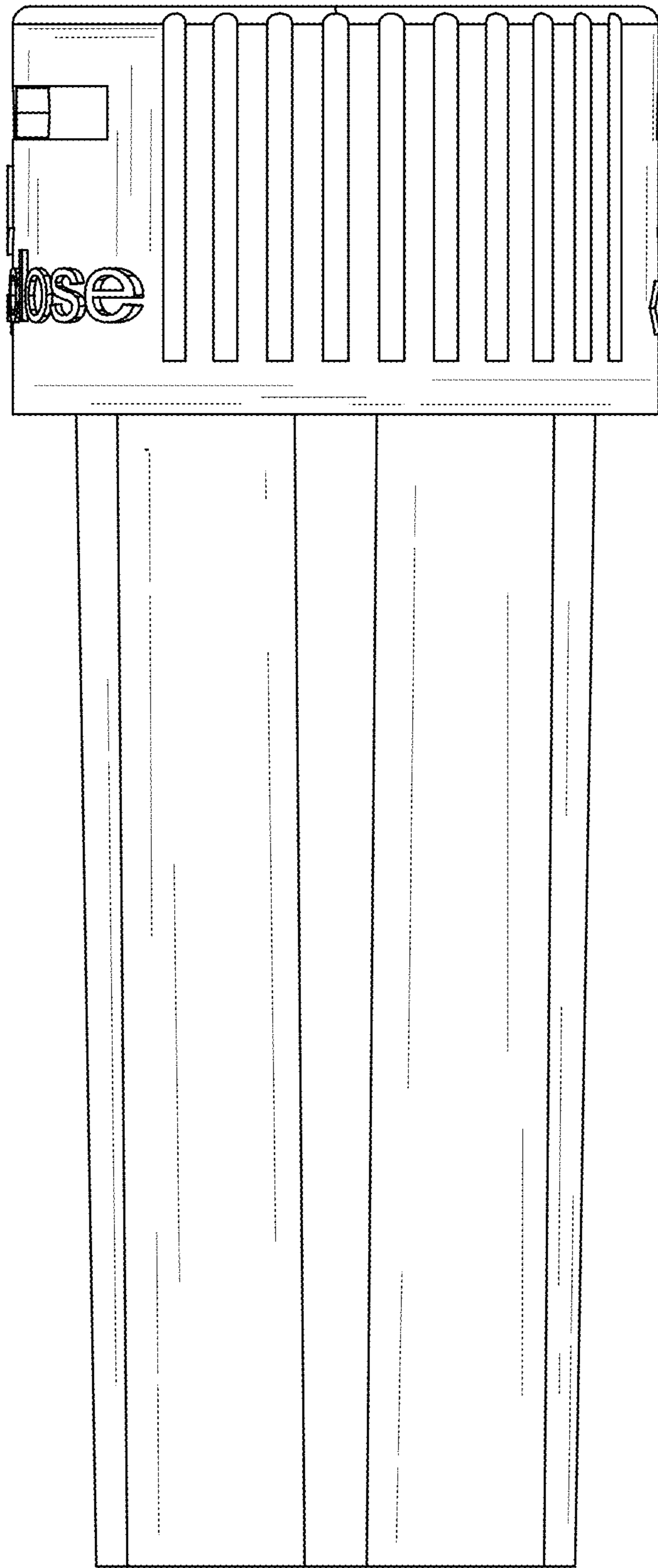


Fig. 6



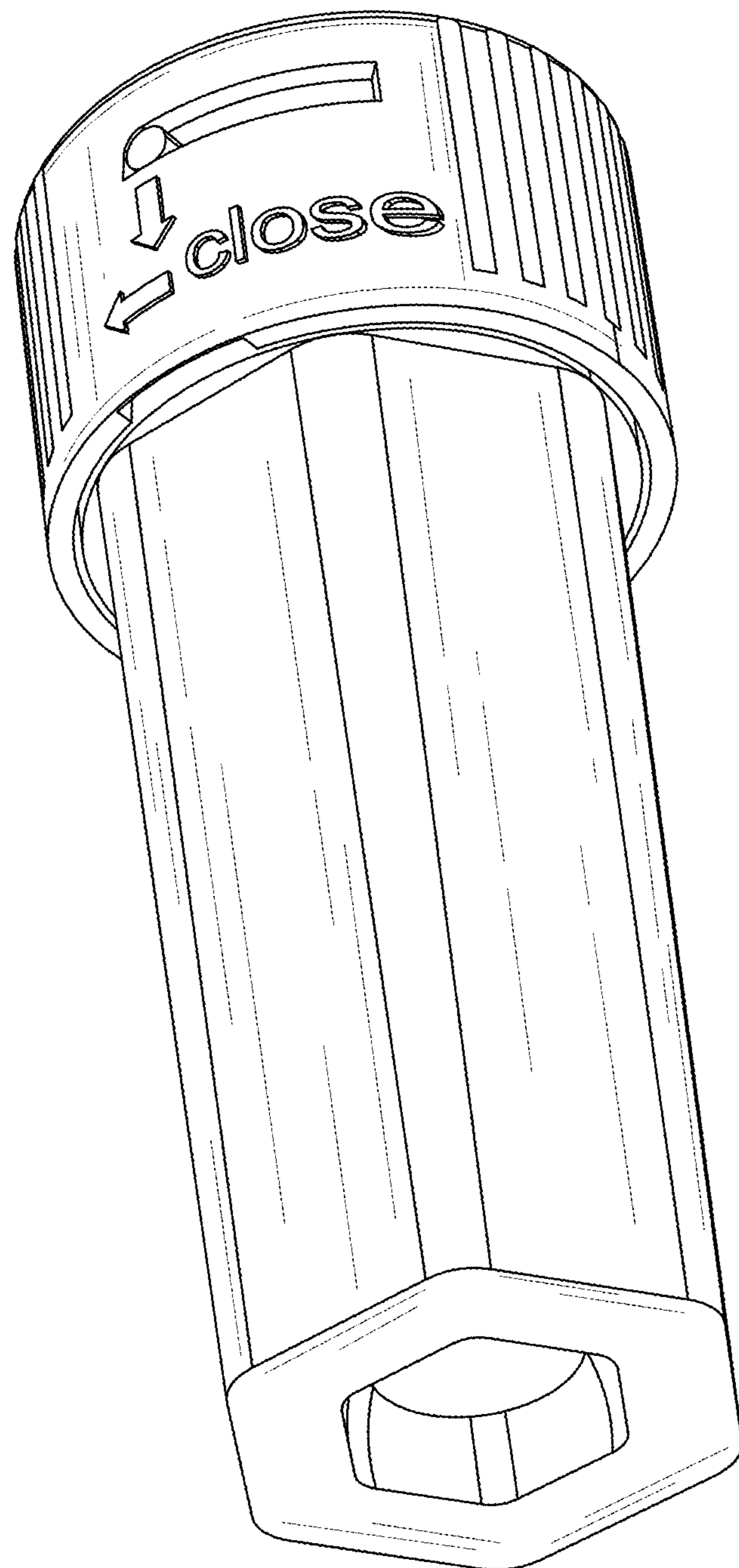


Fig. 7

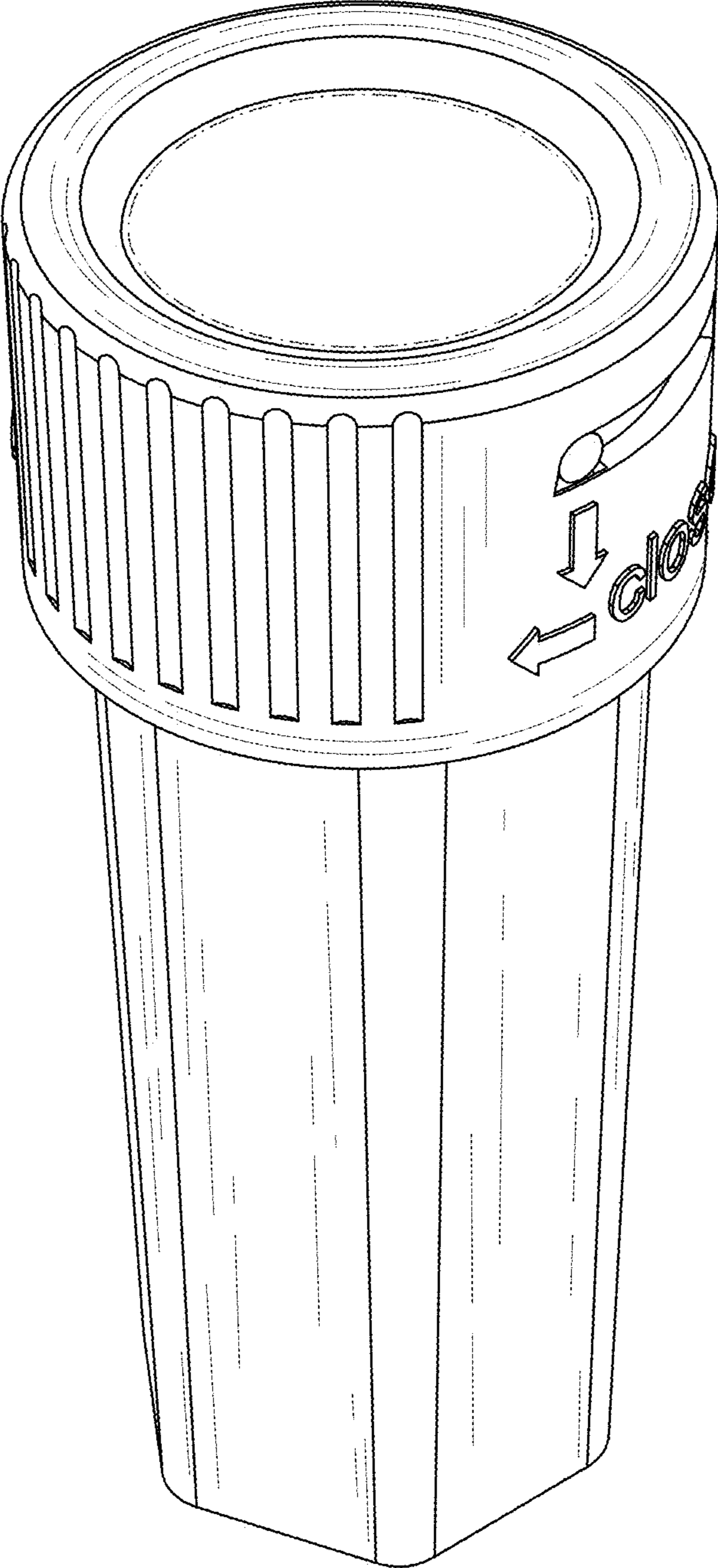


Fig. 8