



US00D913520S

(12) **United States Design Patent**
Gani et al.

(10) **Patent No.:** **US D913,520 S**
(45) **Date of Patent:** **** Mar. 16, 2021**

(54) **PORTABLE COMPACT TESTING DEVICE**

(57) **CLAIM**

(71) Applicant: **SPD Swiss Precision Diagnostics GmbH**, Geneva (CH)

We claim the ornamental design for a portable compact testing device, as shown and described.

(72) Inventors: **James Gani**, Bedford (GB); **Paul Laverack**, Leighton Buzzard (GB)

DESCRIPTION

(73) Assignee: **SPD SWISS PRECISION DIAGNOSTICS GMBH**

FIG. 1 is a front, right, isometric view of a portable compact testing device in a capped configuration in accordance with the present design.

(**) Term: **15 Years**

FIG. 2 is a right side elevation view of the portable compact testing device of FIG. 1. The left side elevation view is a mirror image thereof.

(21) Appl. No.: **29/687,255**

FIG. 3 is a top plan view of the portable compact testing device of FIG. 1.

(22) Filed: **Apr. 11, 2019**

FIG. 4 is a bottom plan view of the portable compact testing device of FIG. 1.

(30) **Foreign Application Priority Data**

Oct. 12, 2018 (EM) 005797537-0001

FIG. 5 is an enlarged front elevation view of the portable compact testing device of FIG. 1.

Oct. 12, 2018 (EM) 005797537-0002

FIG. 6 is an enlarged rear elevation view of the portable compact testing device of FIG. 1.

(51) **LOC (13) Cl.** **24-02**

FIG. 7 is a front, right isometric view of the portable compact testing device of FIG. 1 in an alternate, open configuration.

(52) **U.S. Cl.**

USPC **D24/223**

FIG. 8 is an isometric view of the portable compact testing device of FIG. 1 in an alternate, open, uncapped configuration in accordance with the present design.

(58) **Field of Classification Search**

USPC D24/121, 216, 222-232; D10/78, 81, D10/103

FIG. 9 is a top plan view of the portable compact testing device of FIG. 8.

(Continued)

(56) **References Cited**

U.S. PATENT DOCUMENTS

D361,842 S * 8/1995 Nazareth D24/223

D432,244 S * 10/2000 Anderson D24/223

(Continued)

FIG. 10 is a bottom plan view of the portable compact testing device of FIG. 8.

FIG. 11 is a right side elevation view of the portable compact testing device of FIG. 8. The left side elevation view is a mirror image thereof.

FOREIGN PATENT DOCUMENTS

CN 20193030688 * 6/2019

FIG. 12 is an enlarged rear elevation view of the portable compact testing device of FIG. 8.

FIG. 13 is an enlarged front elevation view of the portable compact testing device of FIG. 8; and,

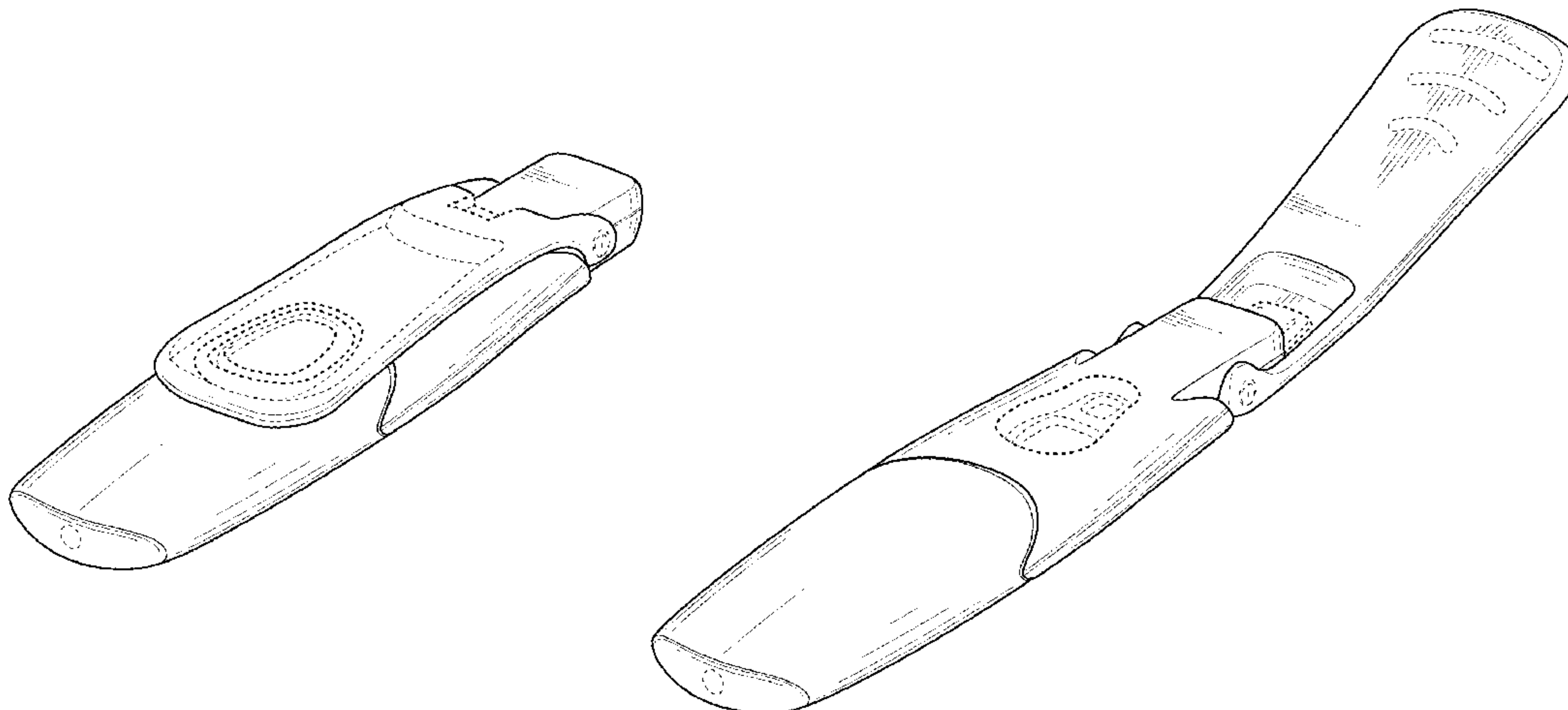
Primary Examiner — Susan Bennett Hattan

Assistant Examiner — Omeed Agilee

FIG. 14 is a front, right, isometric view of the portable compact testing device of FIG. 8 in an alternate, closed configuration.

(74) *Attorney, Agent, or Firm* — Dorsey & Whitney LLP

(Continued)



The broken lines in the drawings depict portions of the portable compact testing device that form no part of the claimed design.

1 Claim, 8 Drawing Sheets

(58) **Field of Classification Search**

CPC G01N 33/558; B01L 3/5023
See application file for complete search history.

(56) **References Cited**

U.S. PATENT DOCUMENTS

D590,492 S *	4/2009	Powell	D24/107
D595,415 S *	6/2009	Fukuzawa	D24/186
D633,814 S *	3/2011	Nishiyama	D10/81
D643,397 S *	8/2011	Ardinghi	D14/138 AB
D655,424 S *	3/2012	Castanon	D24/225
D700,342 S *	2/2014	Hiramura	D24/169
D800,333 S *	10/2017	Snider	D24/223
D820,989 S *	6/2018	Wightman	D24/169
D855,825 S *	8/2019	Parsons	D24/223
D861,188 S *	9/2019	Edwards	D24/223
D884,919 S *	5/2020	Parsons	D24/223
2020/0114348 A1 *	4/2020	Laverack	B01L 3/5055
2020/0121234 A1 *	4/2020	Johnson	G16H 10/40

* cited by examiner

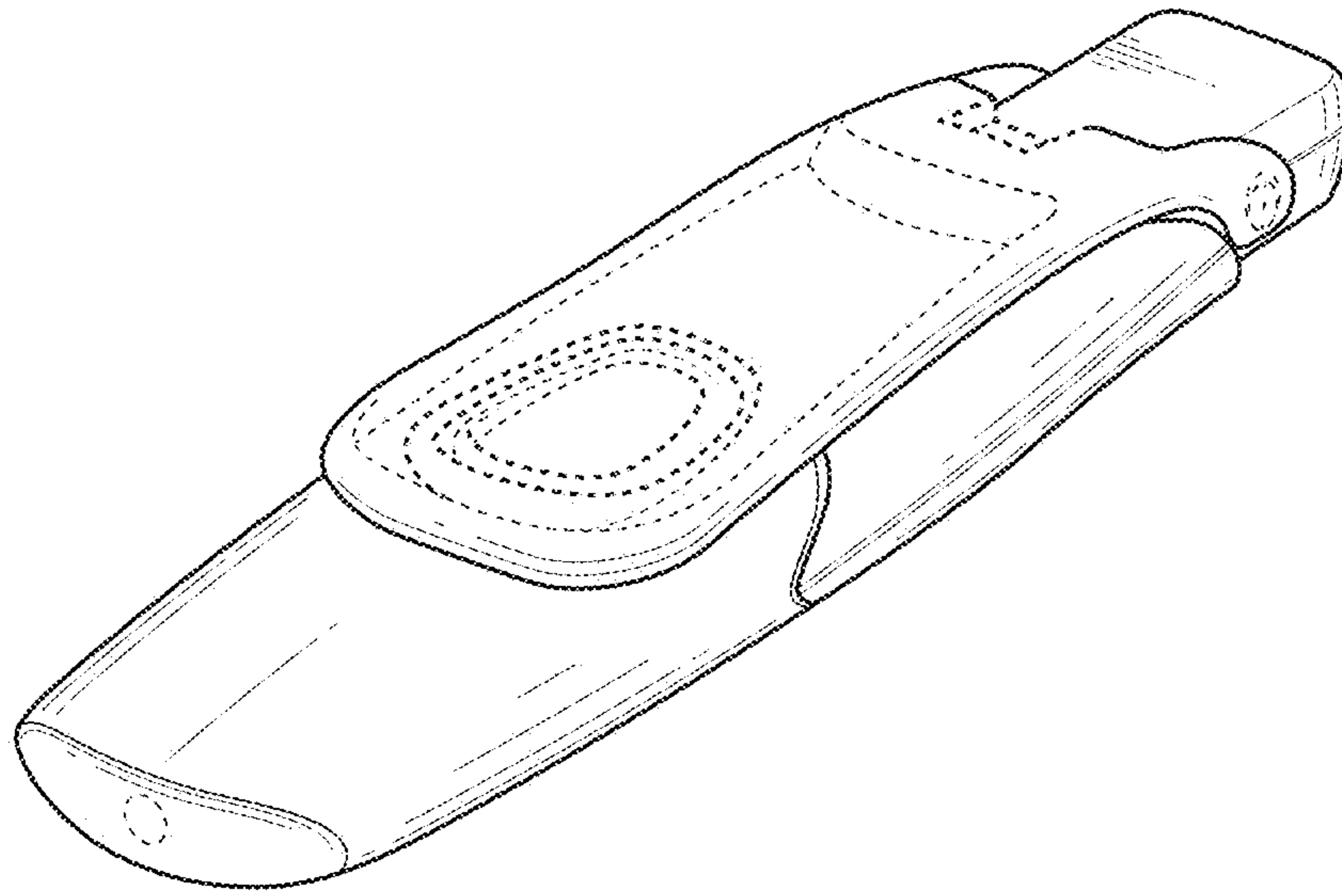


FIG. 1



FIG. 2

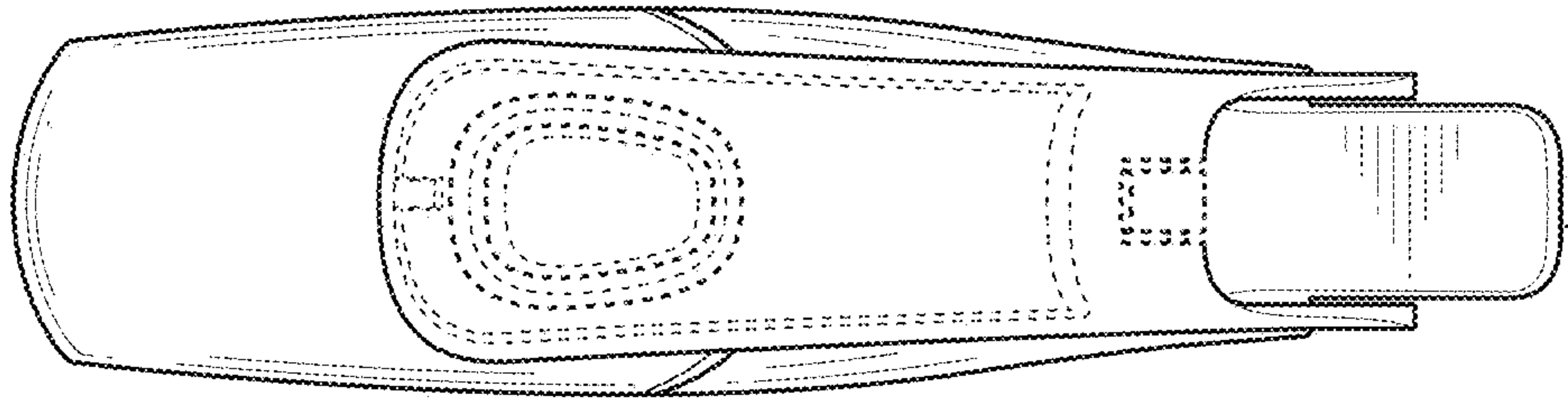


FIG. 3

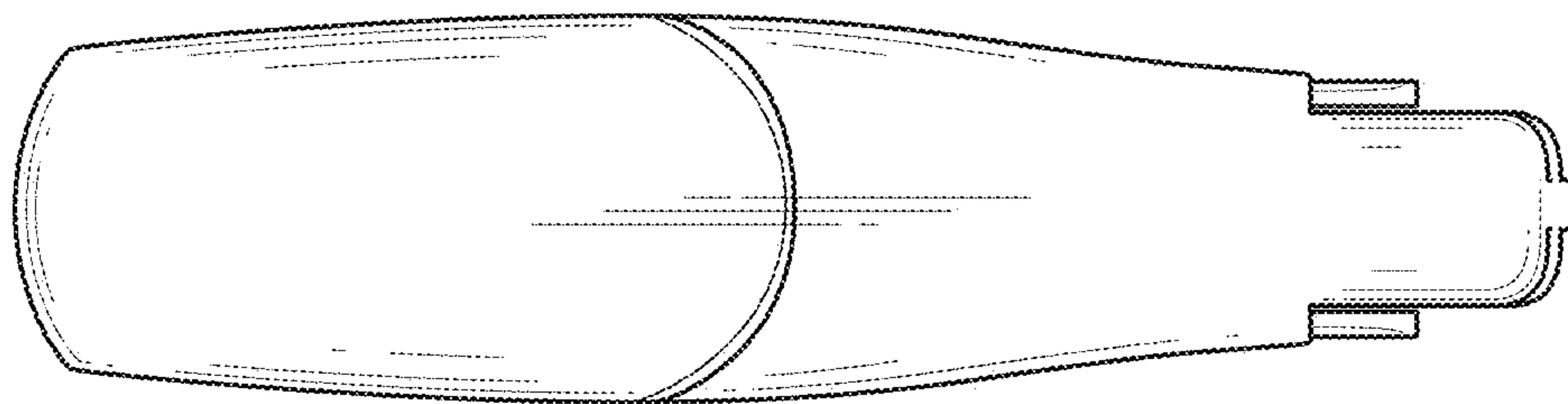


FIG. 4

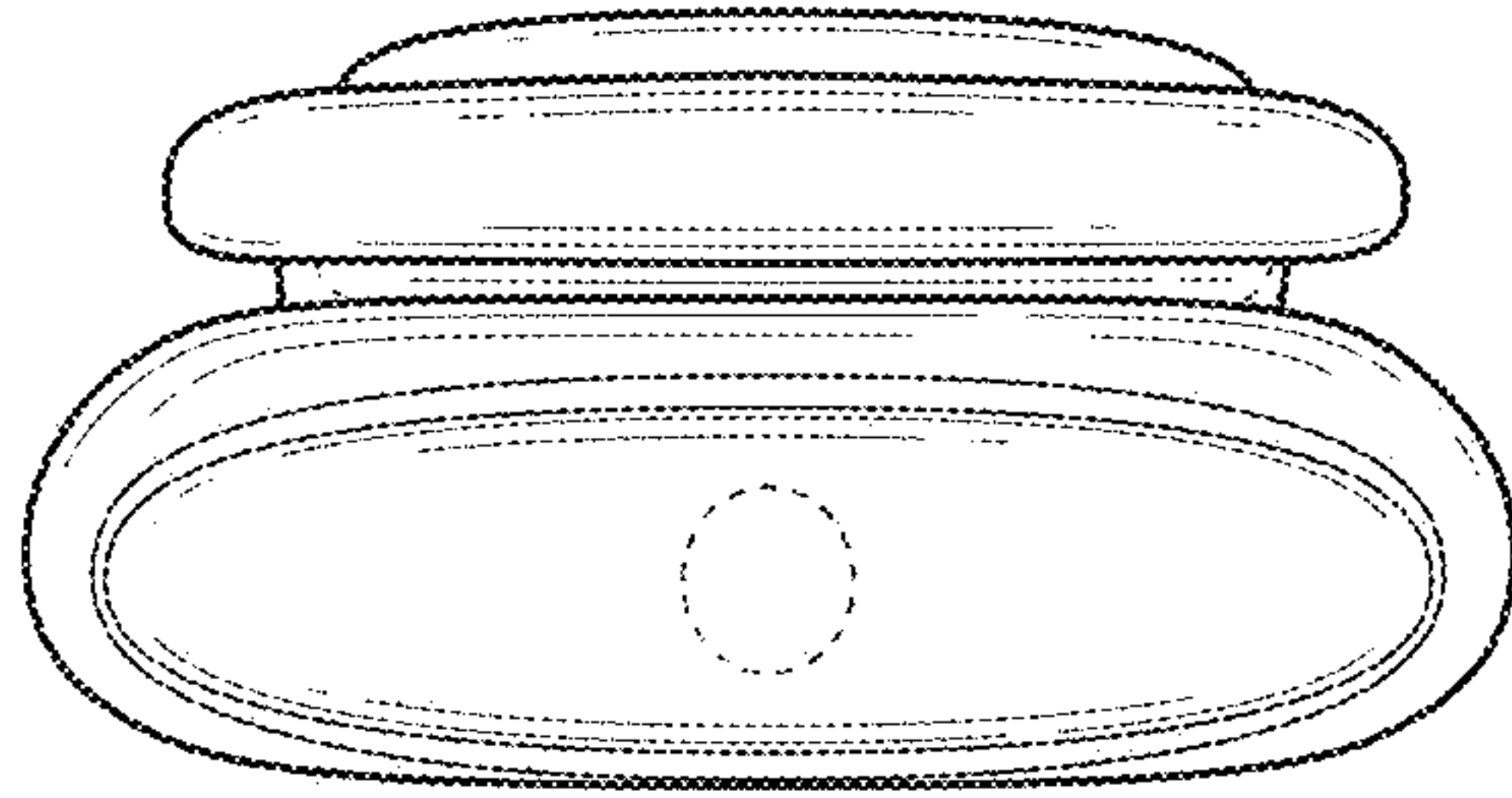


FIG. 5

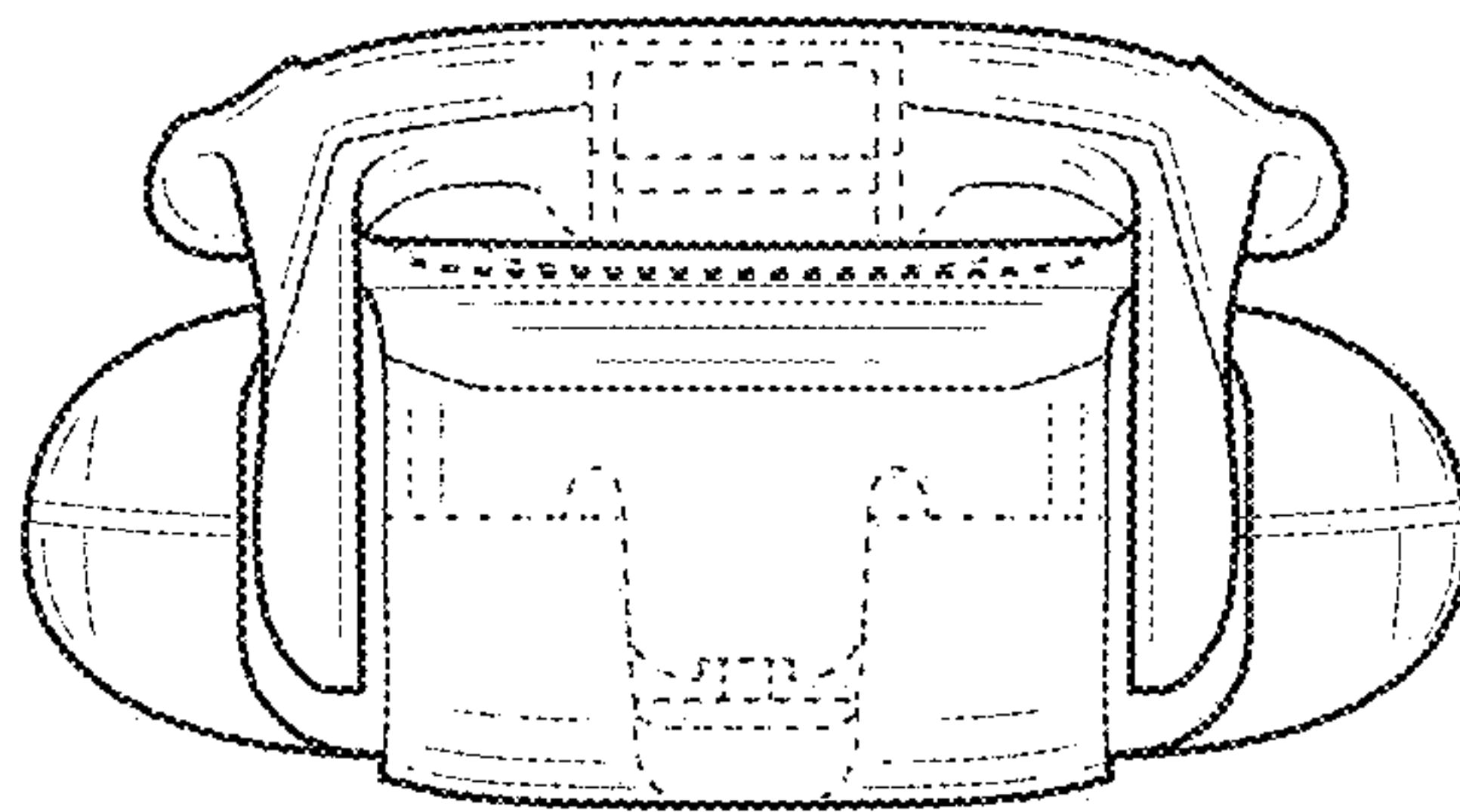


FIG. 6

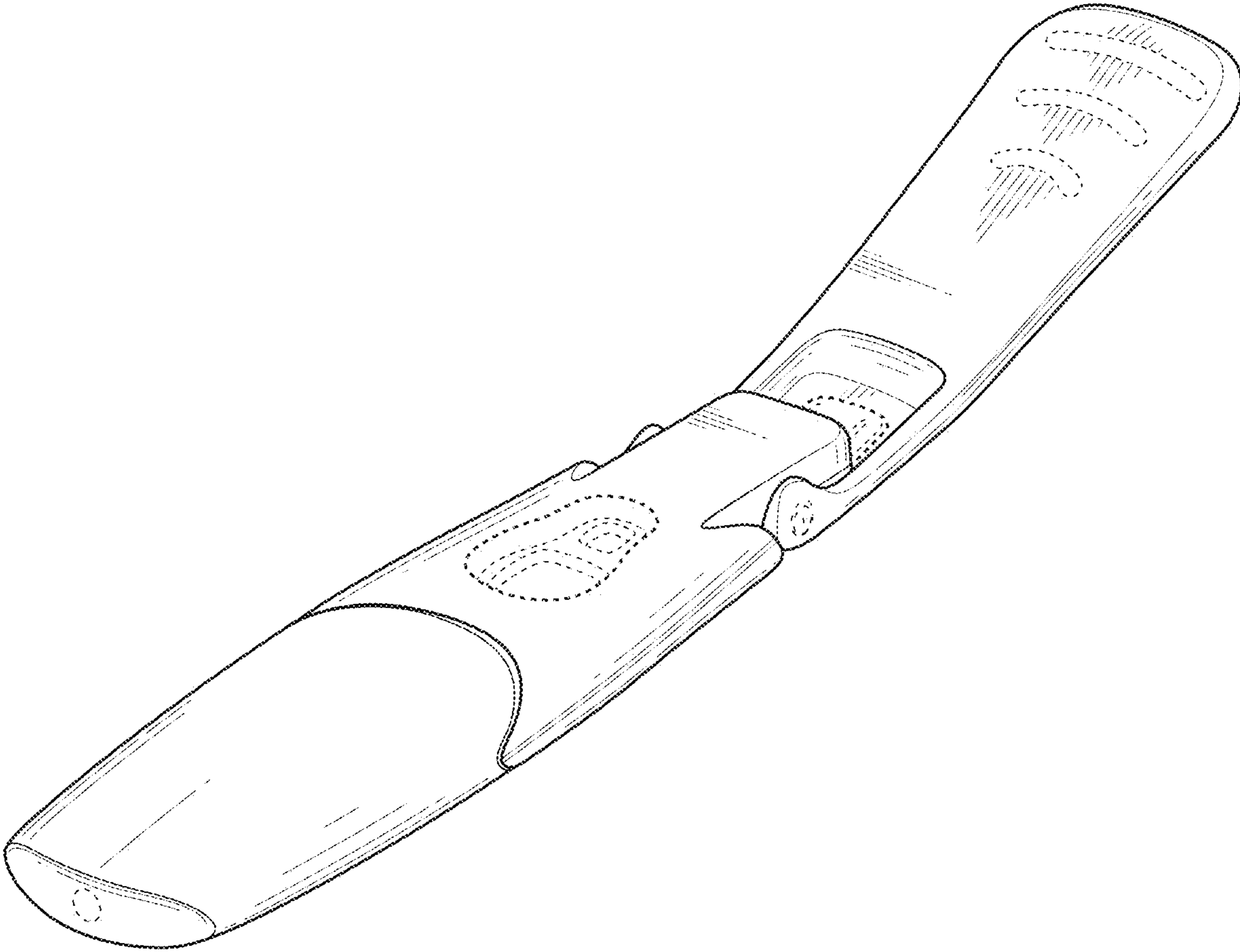


FIG. 7

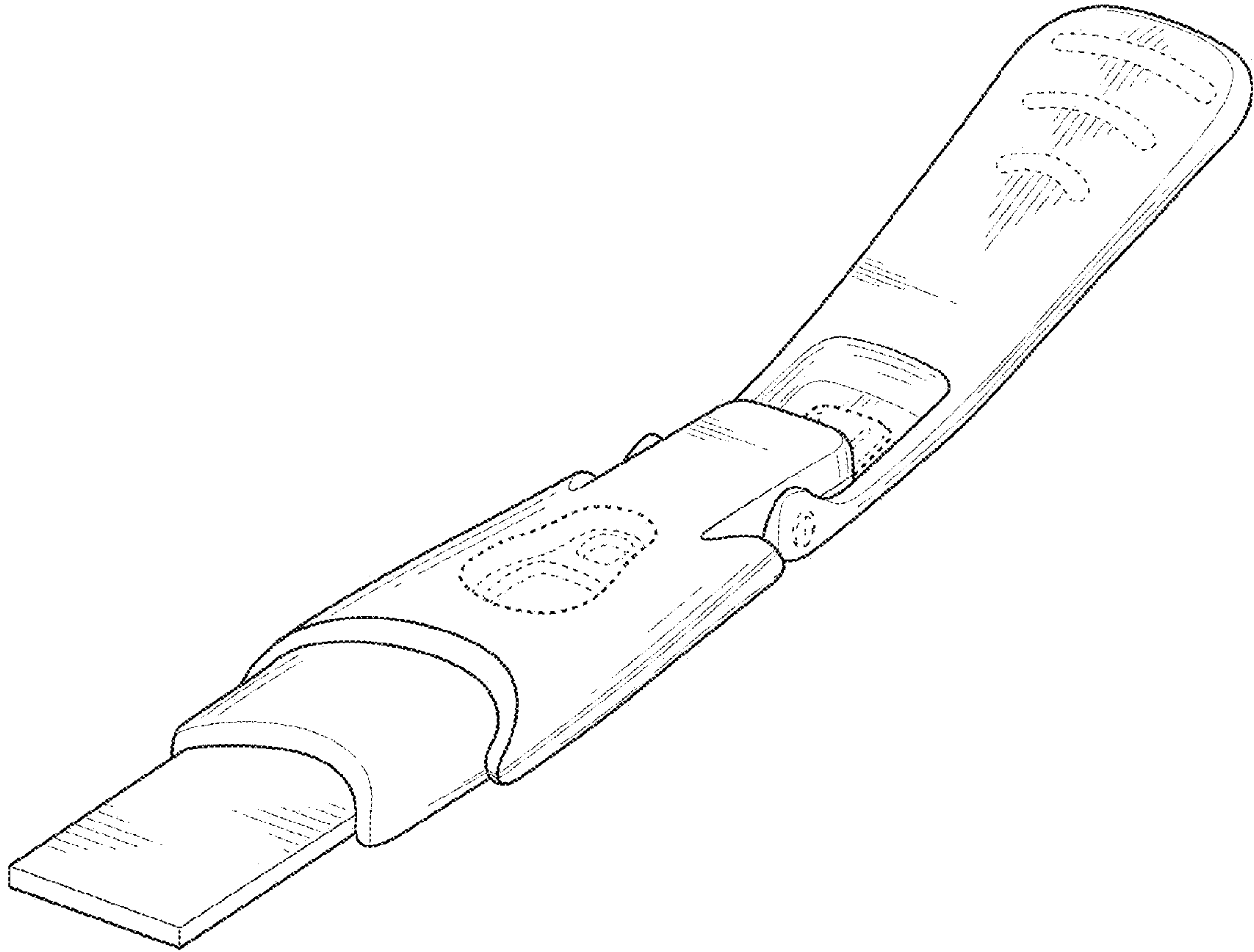


FIG. 8

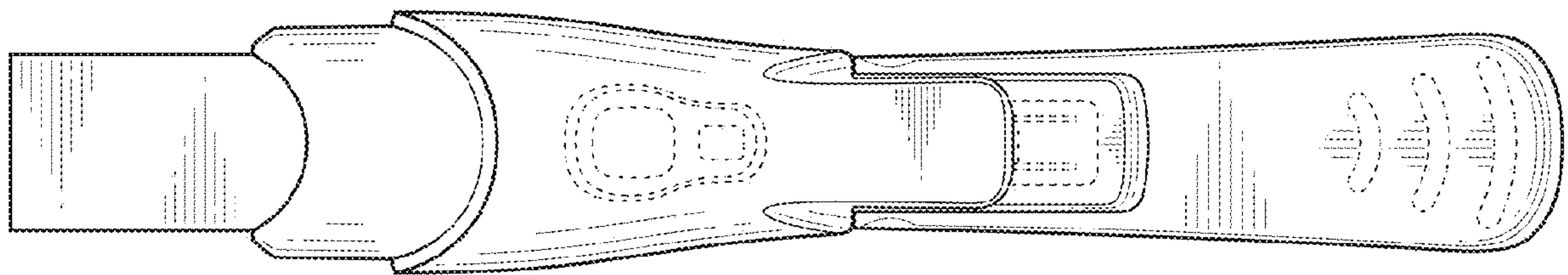


FIG. 9

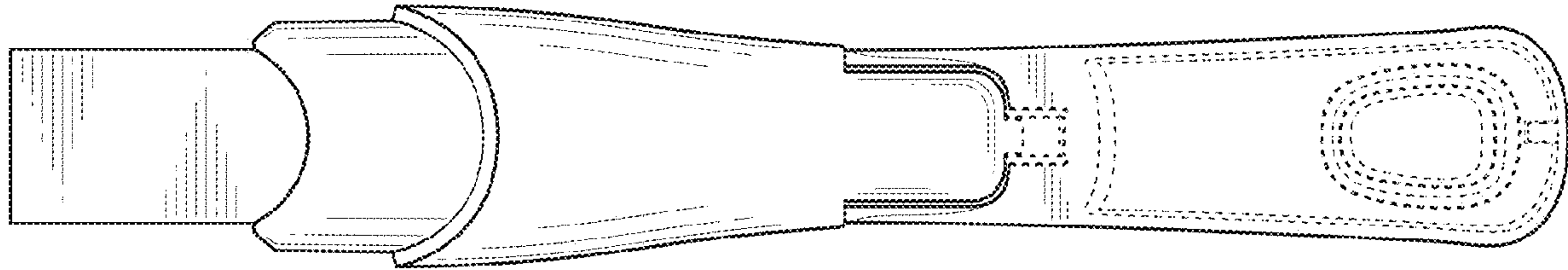


FIG. 10

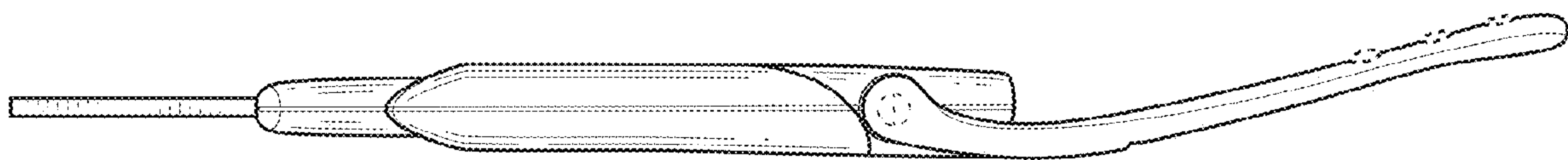


FIG. 11

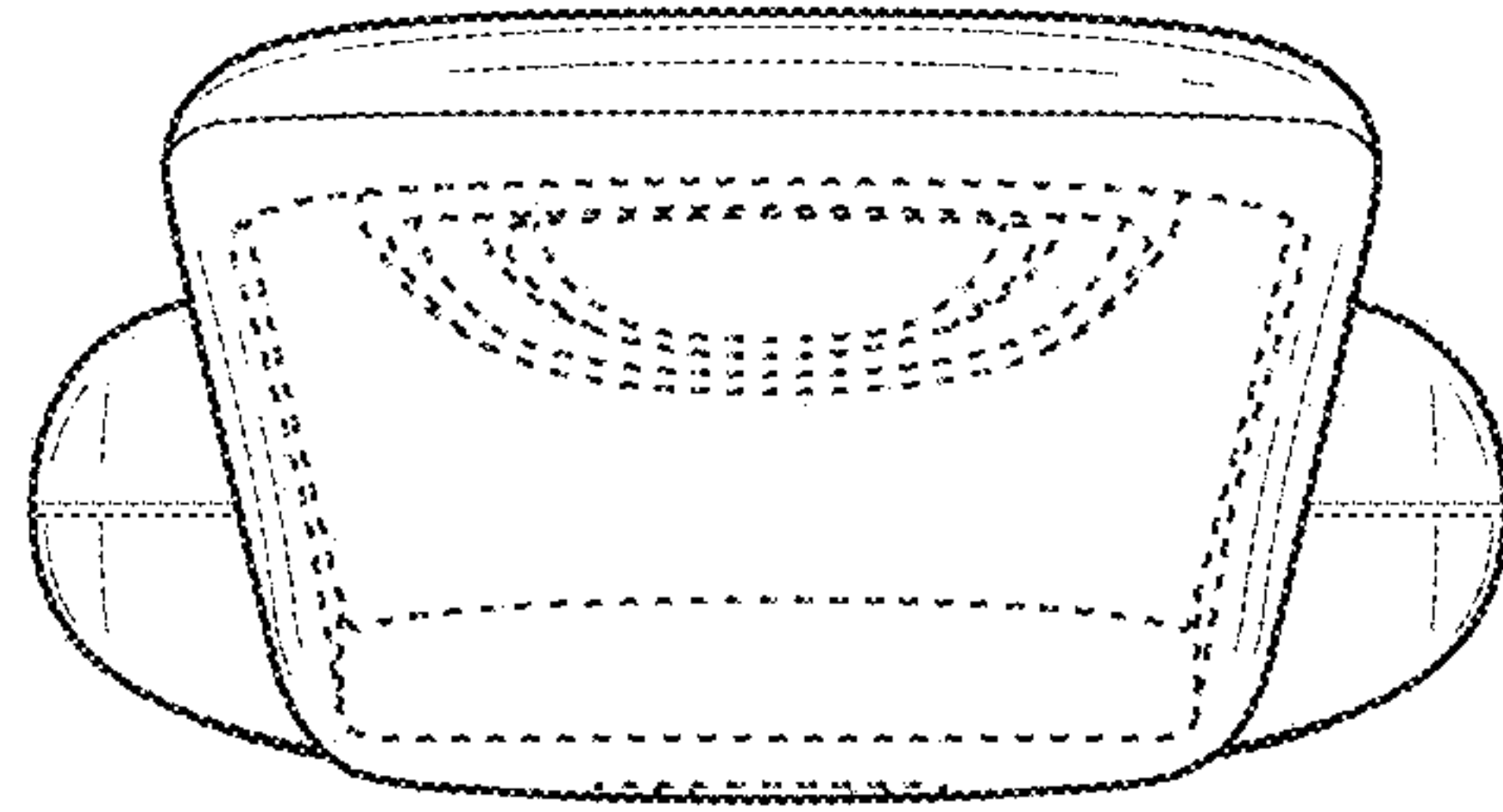


FIG. 12

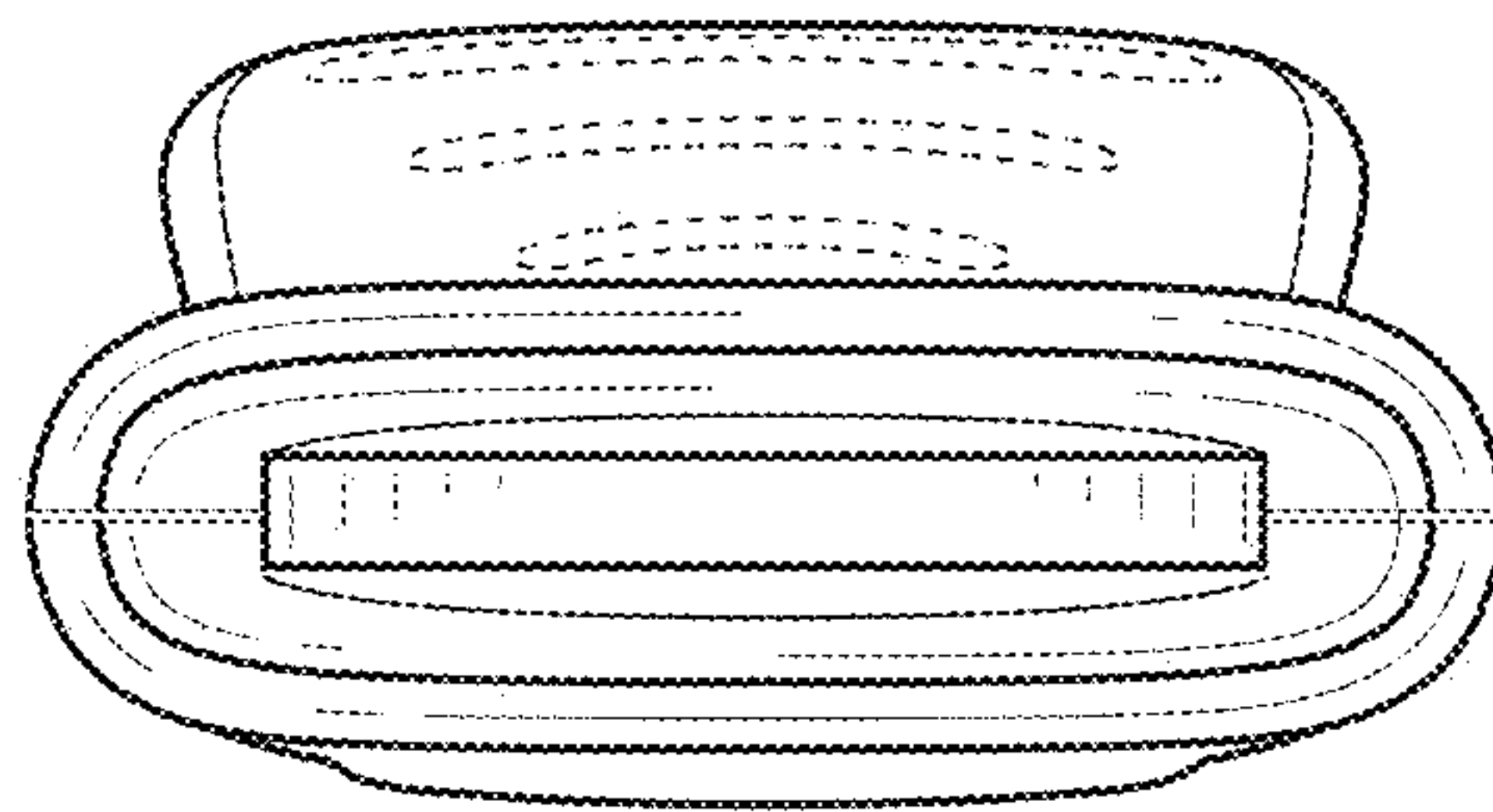


FIG. 13

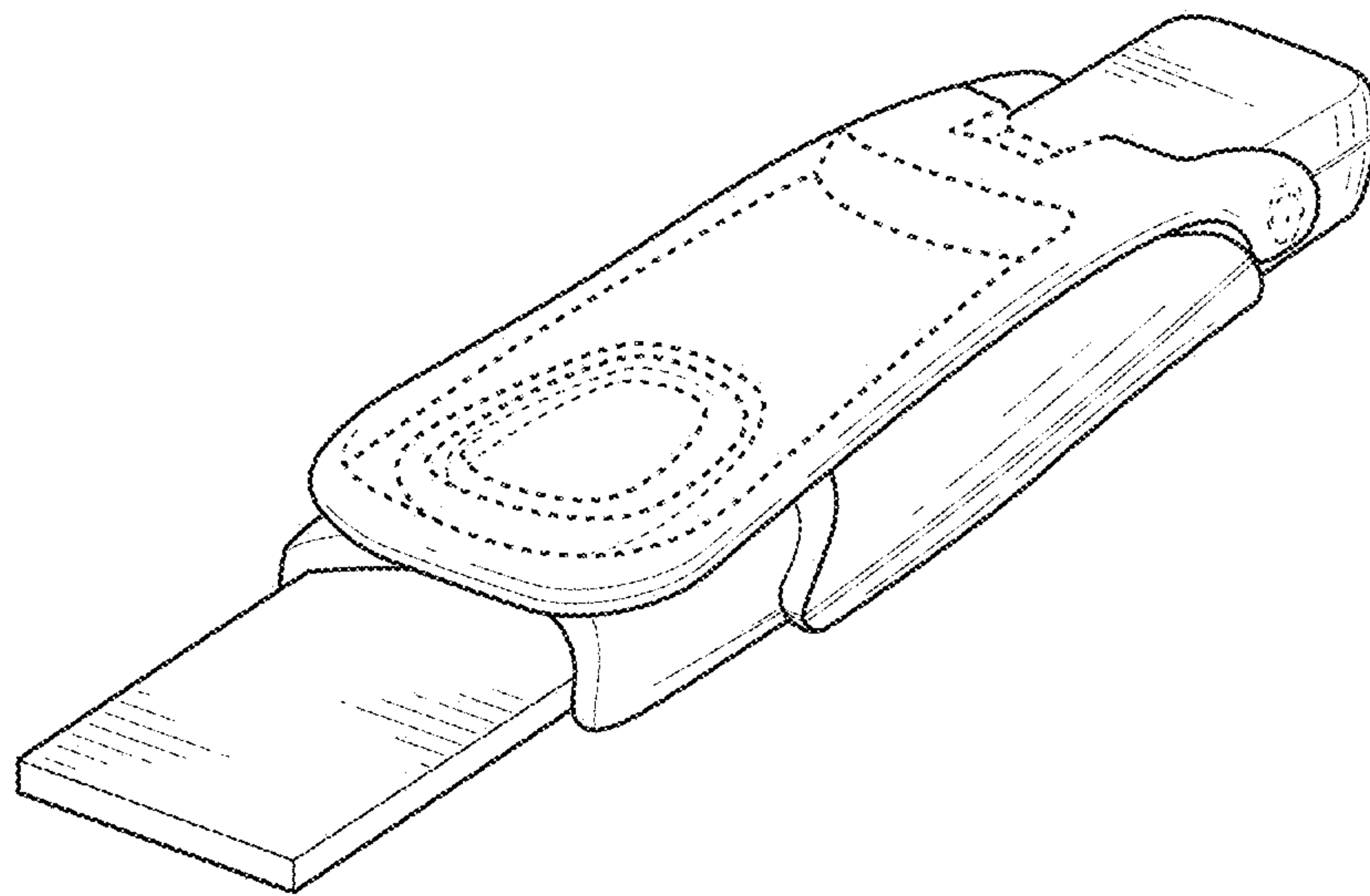


FIG. 14