



US00D913519S

(12) **United States Design Patent** (10) **Patent No.:** **US D913,519 S**
Raghu et al. (45) **Date of Patent:** **** Mar. 16, 2021**

- (54) **DIAGNOSTIC DEVICE**
- (71) Applicants: **Robert Bosch GmbH**, Stuttgart (DE);
Robert Bosch Engineering and Business Solutions Private Limited, Bangalore (IN)
- (72) Inventors: **Vikrant Raghu**, Tamil Nadu (IN);
Balathandapani Sundararaj, Tamil Nadu (IN); **Deivasegamani Vinodkumar**, Tamil Nadu (IN)
- (73) Assignee: **Robert Bosch GmbH**, Stuttgart (DE)
- (**) Term: **15 Years**
- (21) Appl. No.: **29/716,655**
- (22) Filed: **Dec. 11, 2019**
- (51) **LOC (13) Cl.** **24-01**
- (52) **U.S. Cl.**
USPC **D24/216**
- (58) **Field of Classification Search**
USPC D24/107, 185, 186, 216–219, 231–234;
D10/81
CPC G01N 2035/00148; G01N 2035/00039;
G01N 2035/00891; G01N 35/00029;
G01N 21/754; G01N 21/755; G01N 21/757; G01N 21/8483; G01N 33/5302;
G02B 27/021; G02B 27/022
See application file for complete search history.

- D719,039 S * 12/2014 Chang D10/81
D761,439 S * 7/2016 Ruiz Robles D24/232
D810,315 S * 2/2018 Hoelbl D24/232
D838,609 S * 1/2019 Kim D24/216
D872,789 S * 1/2020 Haavisto D16/131

OTHER PUBLICATIONS

CES 2020, Vivascope from Bosch simplifies medical diagnosis with artificial intelligence. Mauro Notarianni. Jan. 11, 2020.*

* cited by examiner

Primary Examiner — Anhdao Doan

(74) Attorney, Agent, or Firm — Maginot, Moore & Beck LLP

(57) **CLAIM**

The ornamental design for a diagnostic device, as shown and described.

DESCRIPTION

FIG. 1 is a perspective view of a diagnostic device showing our new design;
FIG. 2 is a front side elevational view of the diagnostic device of FIG. 1;
FIG. 3 is a rear side elevational view of the diagnostic device of FIG. 1;
FIG. 4 is a left side elevational view of the diagnostic device of FIG. 1;
FIG. 5 is a right side elevational view of the diagnostic device of FIG. 1;
FIG. 6 is a top plan view of the diagnostic device of FIG. 1; and,
FIG. 7 is a bottom plan view of the diagnostic device of FIG. 1.

The broken lines shown in the drawings illustrate portions of the diagnostic device that form no part of the claimed design.

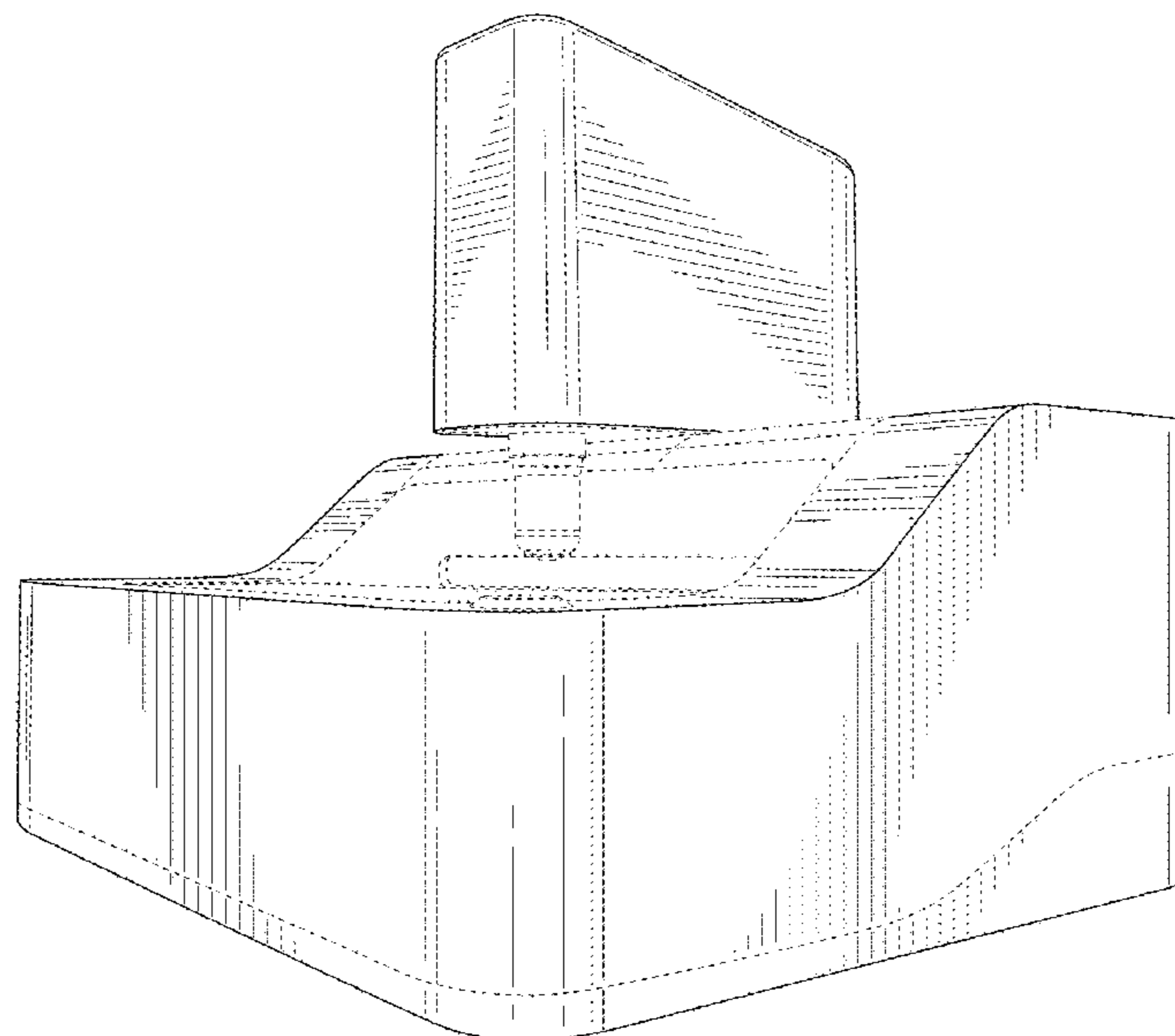
The broken lines form no part of the claimed design.

1 Claim, 7 Drawing Sheets

(56) **References Cited**

U.S. PATENT DOCUMENTS

- D471,988 S * 3/2003 Lueth D24/232
D515,707 S * 2/2006 Shinohara D24/216
D671,227 S * 11/2012 Parker D24/216
D678,530 S * 3/2013 Khan D24/186
D695,801 S * 12/2013 Hagmann D16/131
D705,437 S * 5/2014 Chamberlin D24/216



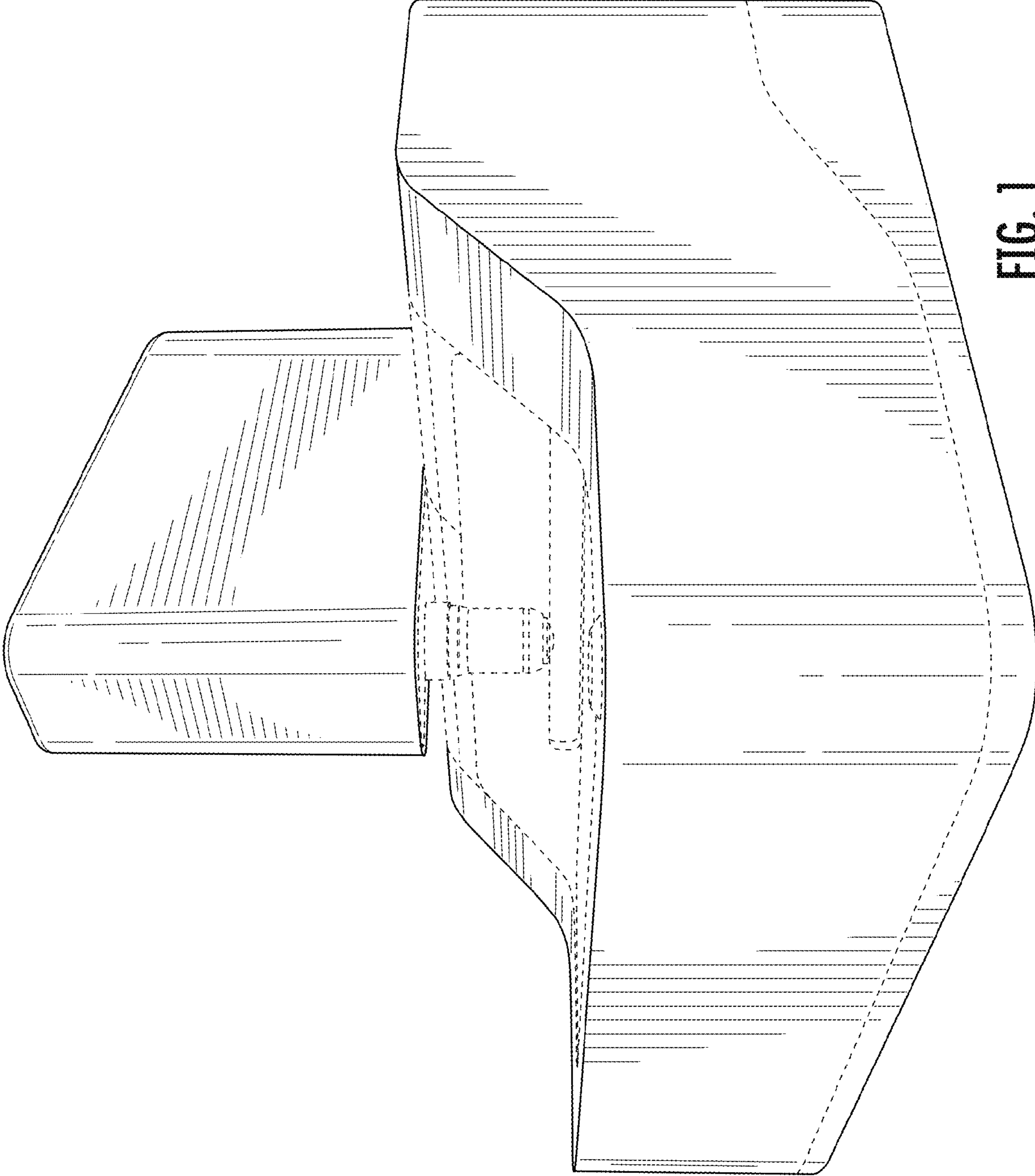


FIG. 1

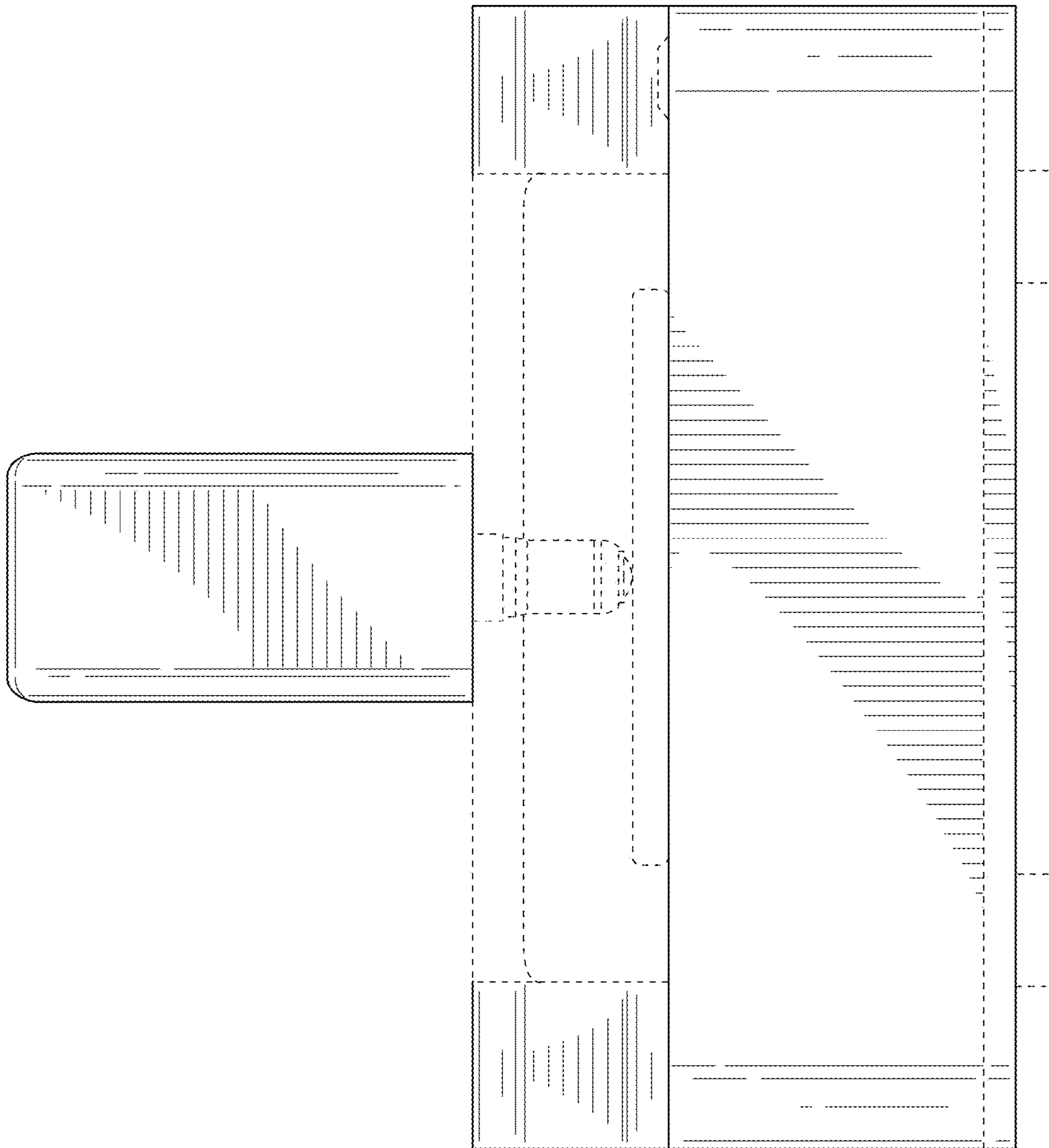


FIG. 2

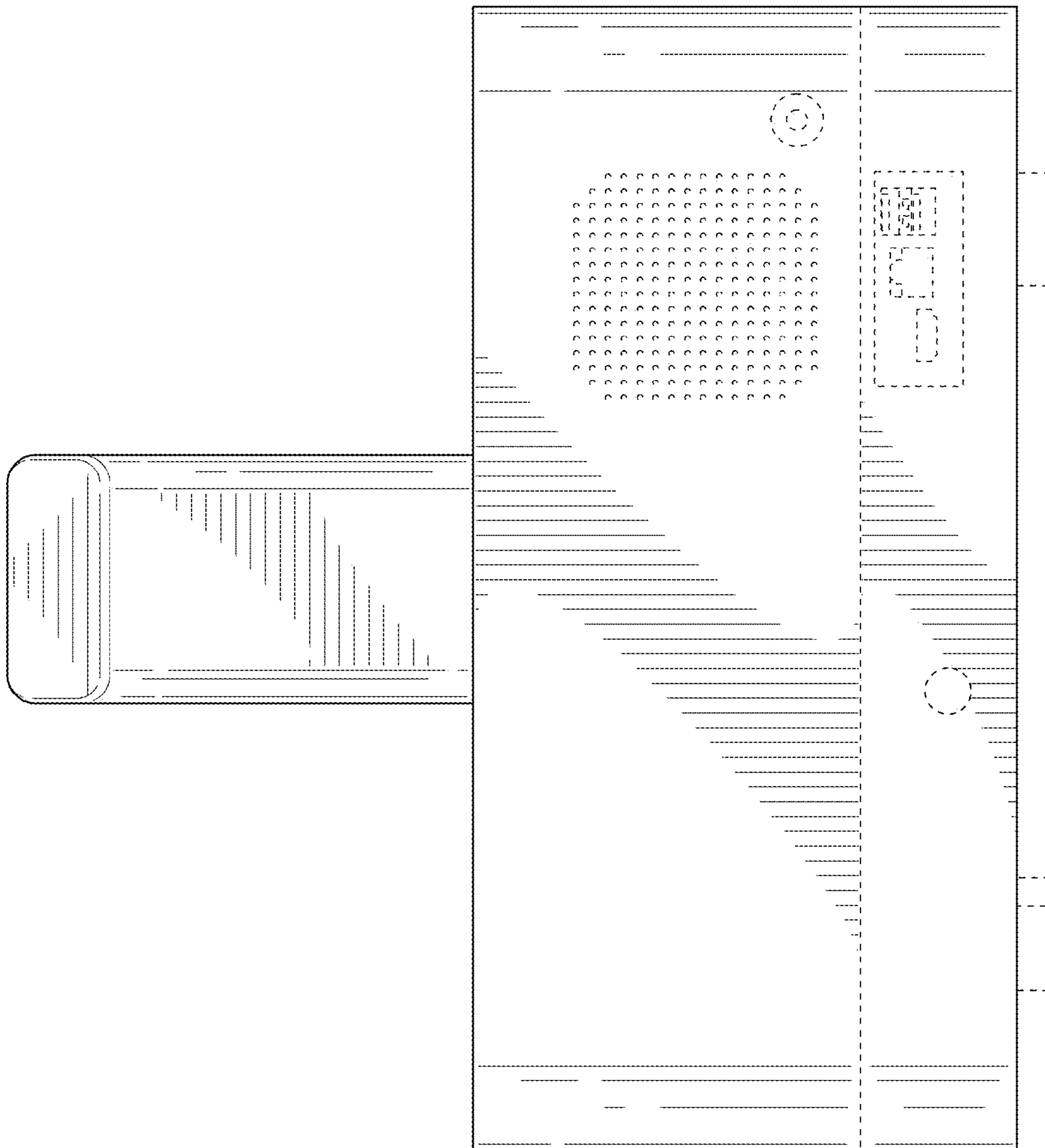


FIG. 3

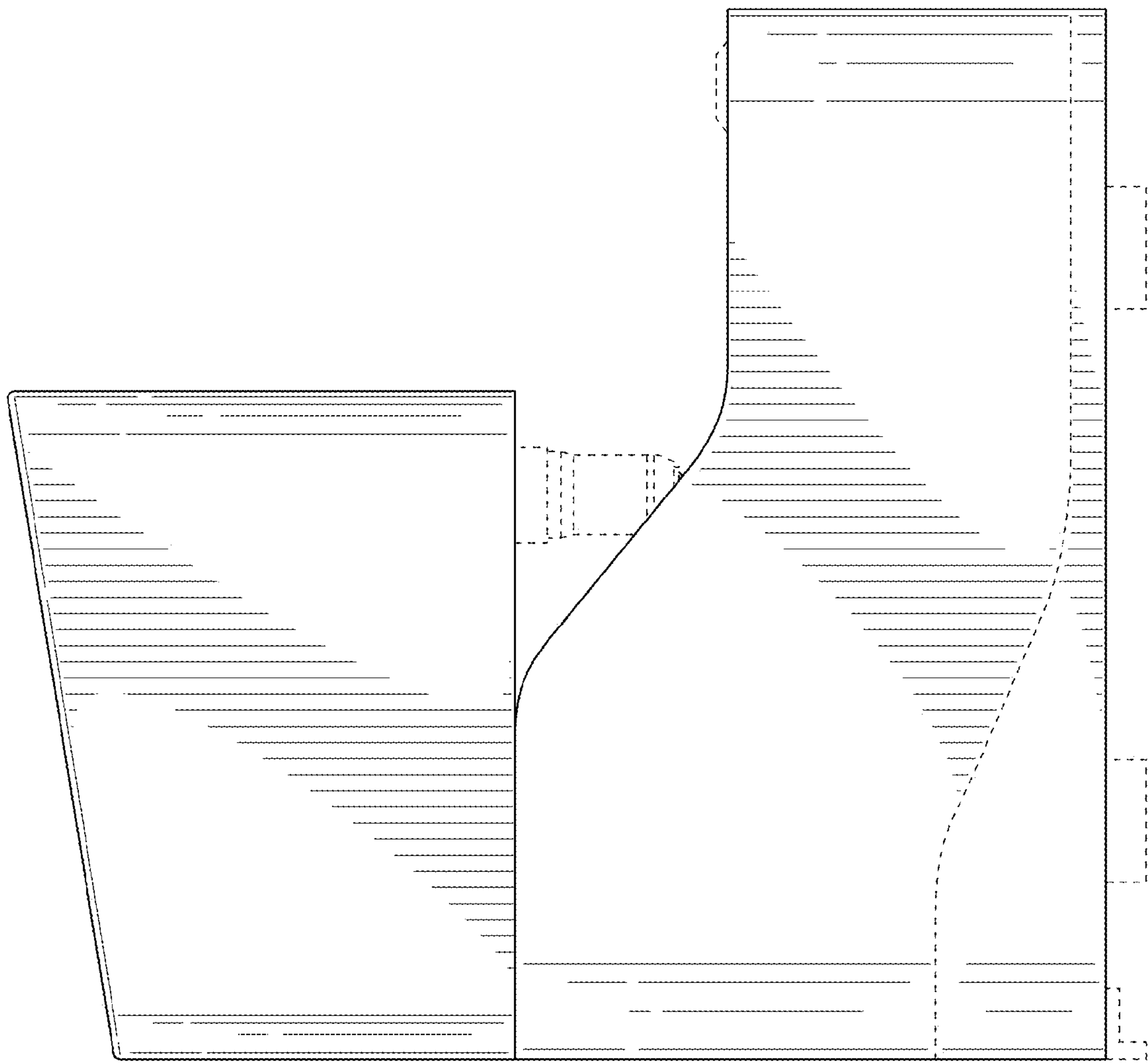


FIG. 4

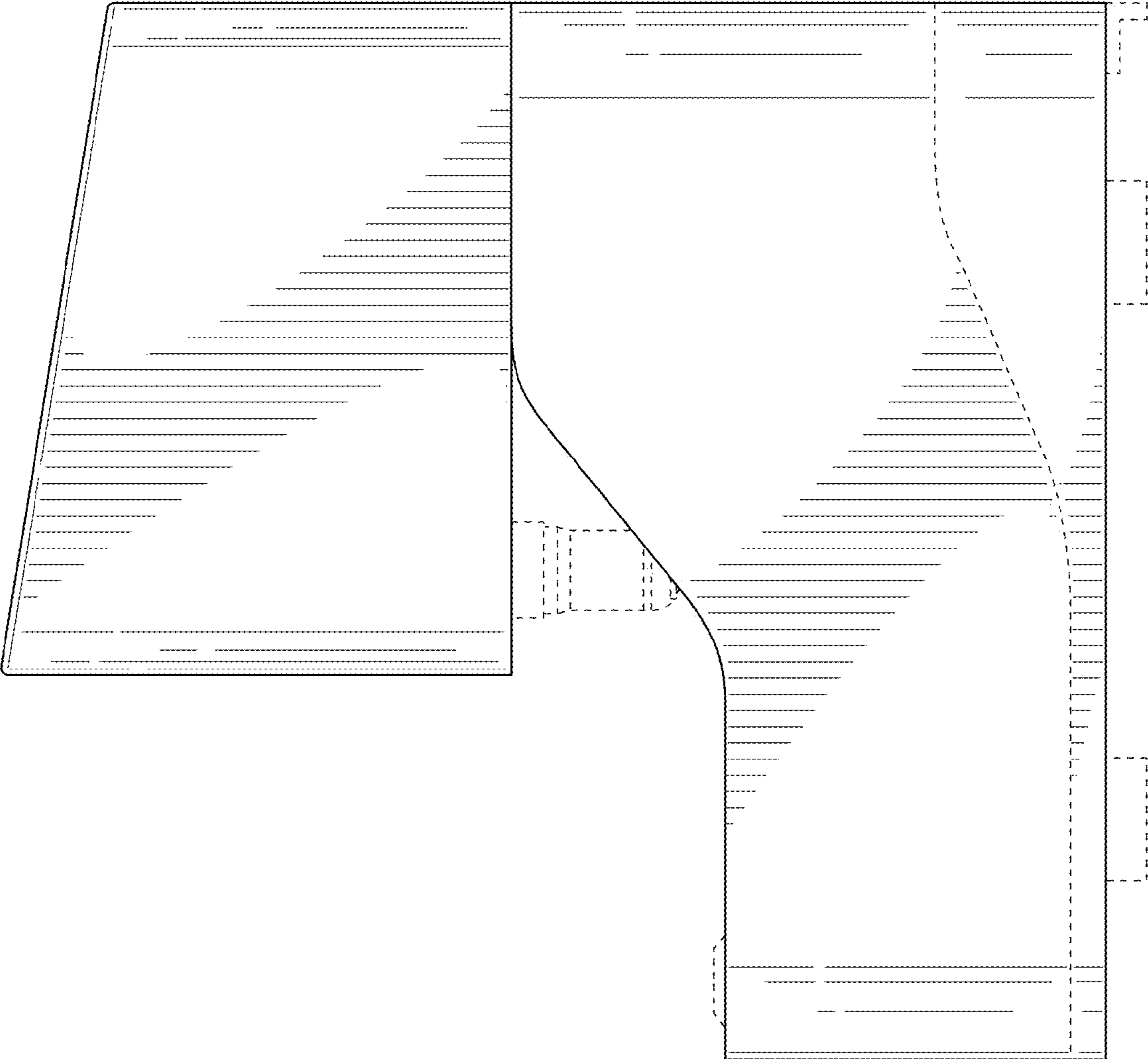


FIG. 5

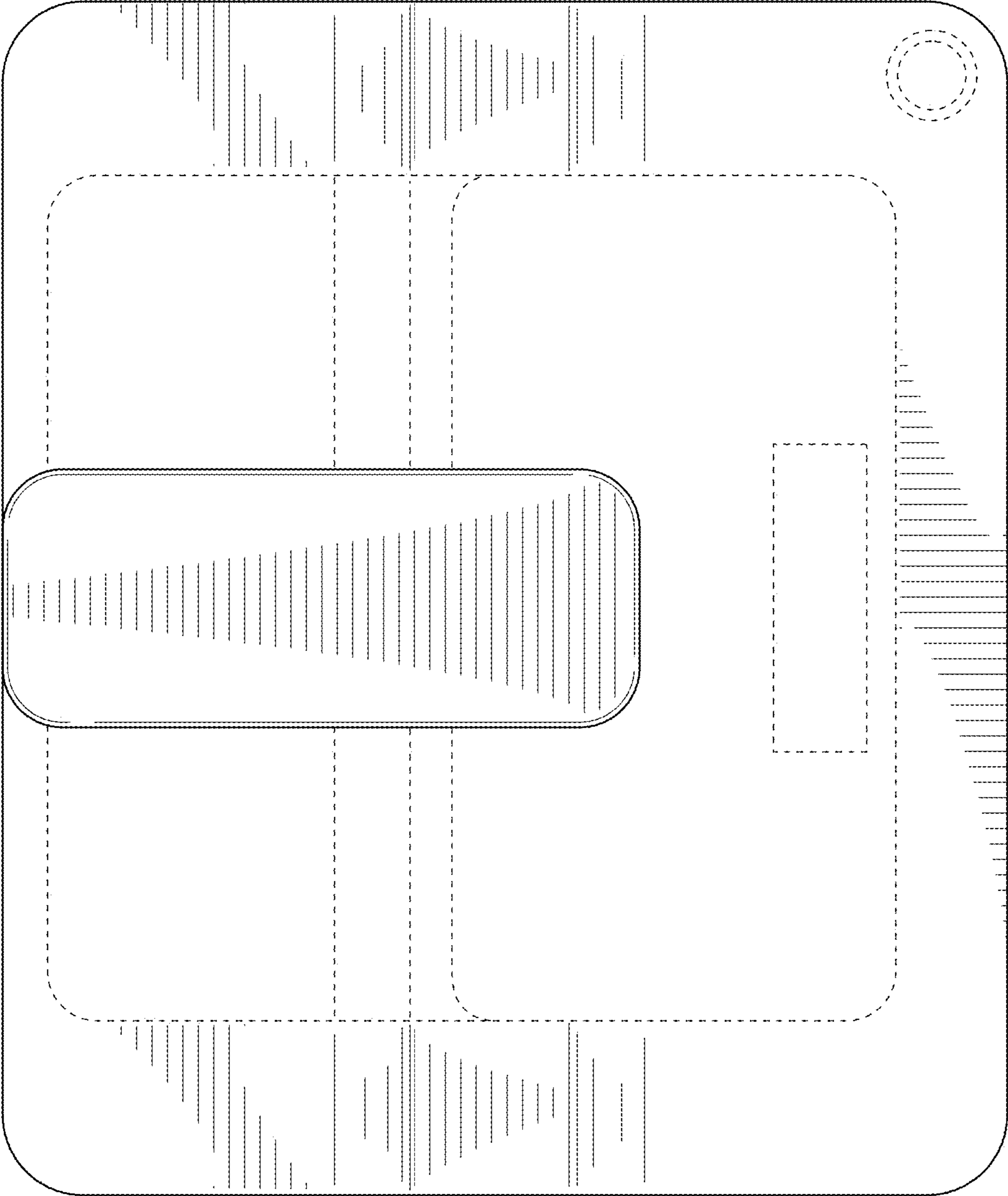


FIG. 6

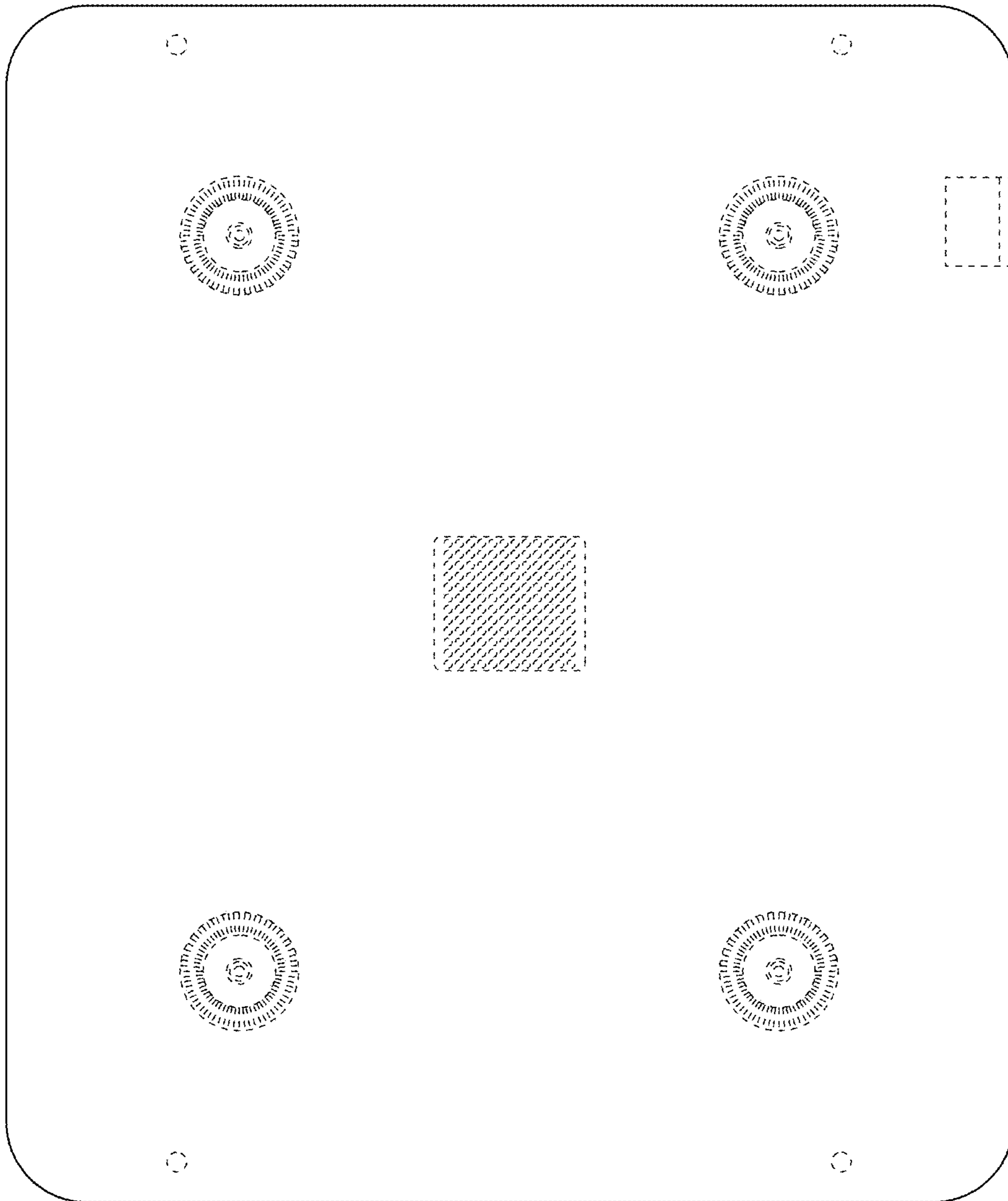


FIG. 7