



US00D913517S

(12) **United States Design Patent** (10) **Patent No.:** **US D913,517 S**  
**Yu** (45) **Date of Patent:** **\*\* Mar. 16, 2021**

(54) **MASSAGE DEVICE**  
(71) Applicant: **Shengguo Yu**, Dongguan (CN)  
(72) Inventor: **Shengguo Yu**, Dongguan (CN)  
(\*\*) Term: **15 Years**

D893,738 S \* 8/2020 Zhuang ..... D24/215  
D895,133 S \* 9/2020 Xu ..... D24/215  
D895,135 S \* 9/2020 Xu ..... D24/215  
D895,831 S \* 9/2020 Chen ..... D24/215  
D907,229 S \* 1/2021 Zhang ..... D24/215  
D907,230 S \* 1/2021 Zhang ..... D24/215  
2019/0254921 A1 \* 8/2019 Marton ..... A61H 1/00

(21) Appl. No.: **29/744,603**  
(22) Filed: **Jul. 30, 2020**  
(51) **LOC (13) Cl.** ..... **28-03**  
(52) **U.S. Cl.**  
USPC ..... **D24/215**  
(58) **Field of Classification Search**  
USPC ..... D24/200, 211-213  
CPC ..... A61H 7/002; A61H 7/003; A61H 7/001;  
A61H 7/007; A61H 1/00; A61H 23/006;  
A61H 23/004; A61H 23/06; A61H 23/00;  
A61H 2201/0153; A61H 2201/0157;  
A61H 2205/06; A61H 2205/065; A61H  
2205/081; A61H 2205/10; A61H 2205/00;  
A61H 2205/084; A61H 2205/106; A61H  
2205/108  
See application file for complete search history.

**FOREIGN PATENT DOCUMENTS**

CN 305518065 \* 7/2019  
CN 305975784 \* 4/2020

\* cited by examiner

*Primary Examiner* — Wan Laymon

(74) *Attorney, Agent, or Firm* — Rumit Ranjit Kanakia

(57) **CLAIM**

The ornamental design for a massage device, as shown and described.

**DESCRIPTION**

FIG. 1 is perspective view of a massage device showing my new design;

FIG. 2 is another perspective view thereof;

FIG. 3 is a front elevational view

FIG. 4 is a rear elevational view thereof;

FIG. 5 is a left side view thereof;

FIG. 6 is a right side view thereof;

FIG. 7 is a top plan view thereof; and,

FIG. 8 is a bottom plan view thereof.

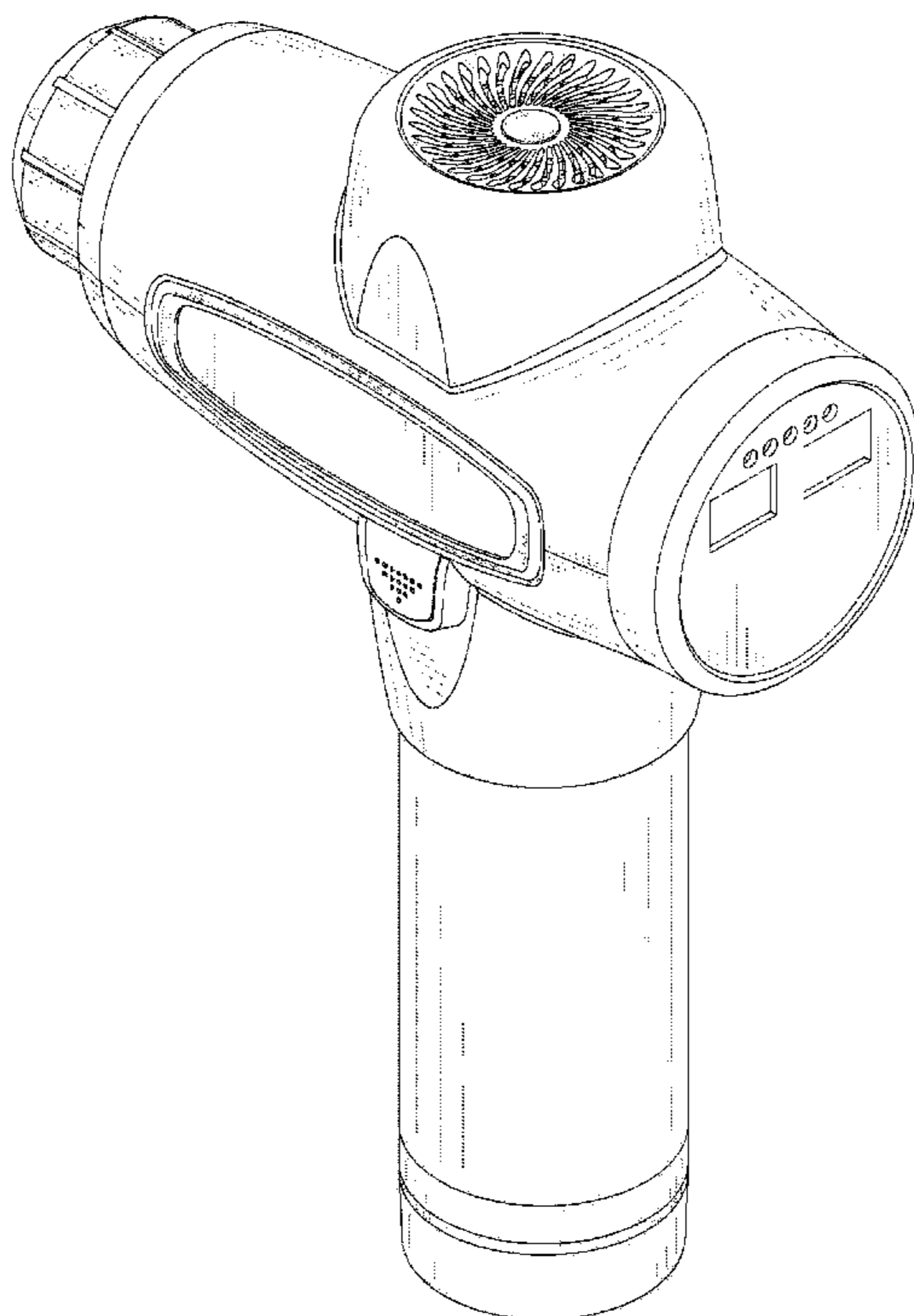
The broken lines illustrate portions of the environment structure which forms no part of the claimed design.

(56) **References Cited**

**U.S. PATENT DOCUMENTS**

10,314,762 B1 \* 6/2019 Marton ..... A61H 23/004  
D855,822 S 8/2019 Marton et al.  
D873,432 S 1/2020 Duan  
D874,015 S 1/2020 Marton et al.  
D875,961 S 2/2020 Li  
D884,205 S 5/2020 Zhuang  
D884,207 S 5/2020 Ma  
D886,317 S 6/2020 Marton et al.

**1 Claim, 8 Drawing Sheets**



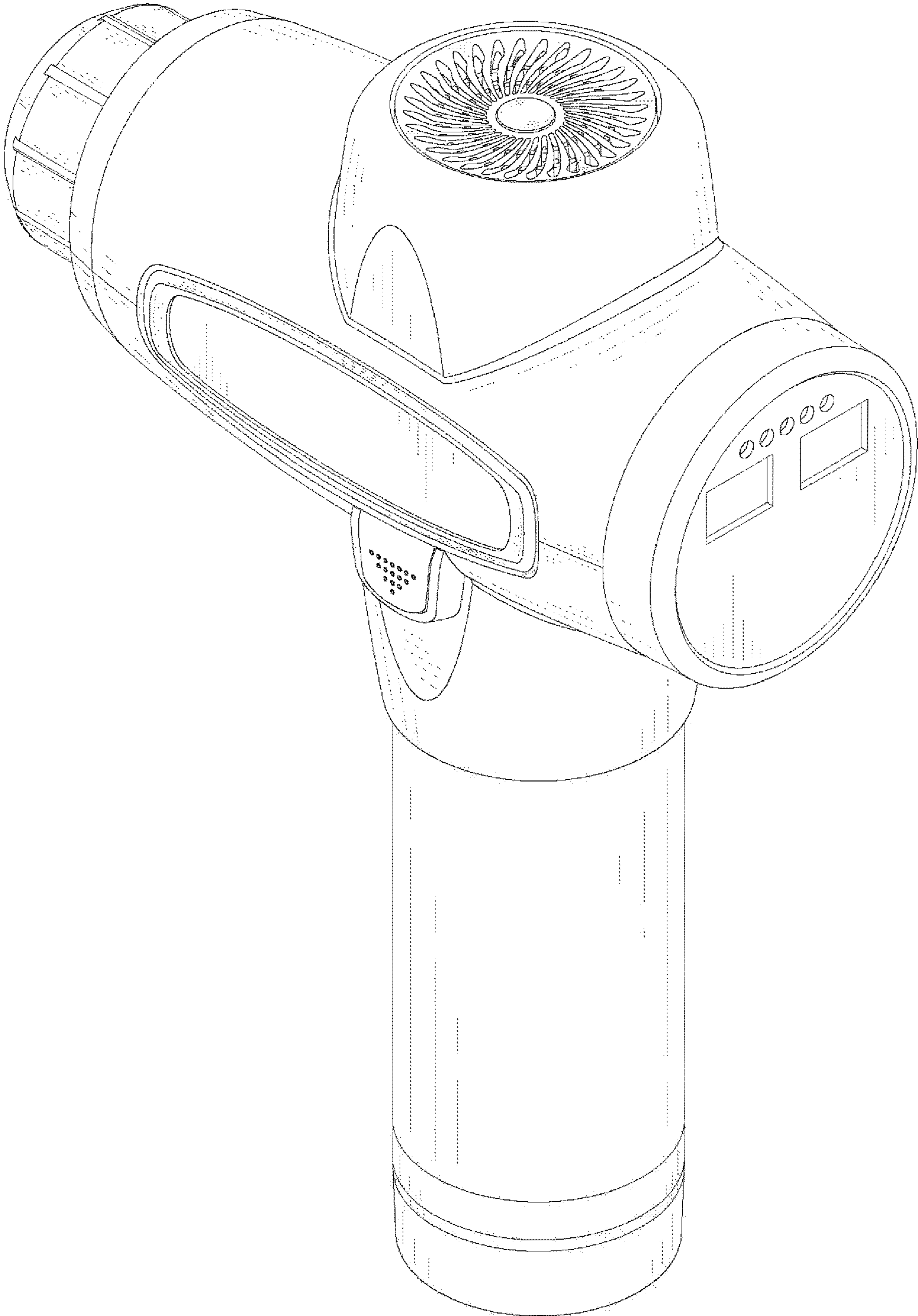


FIG. 1

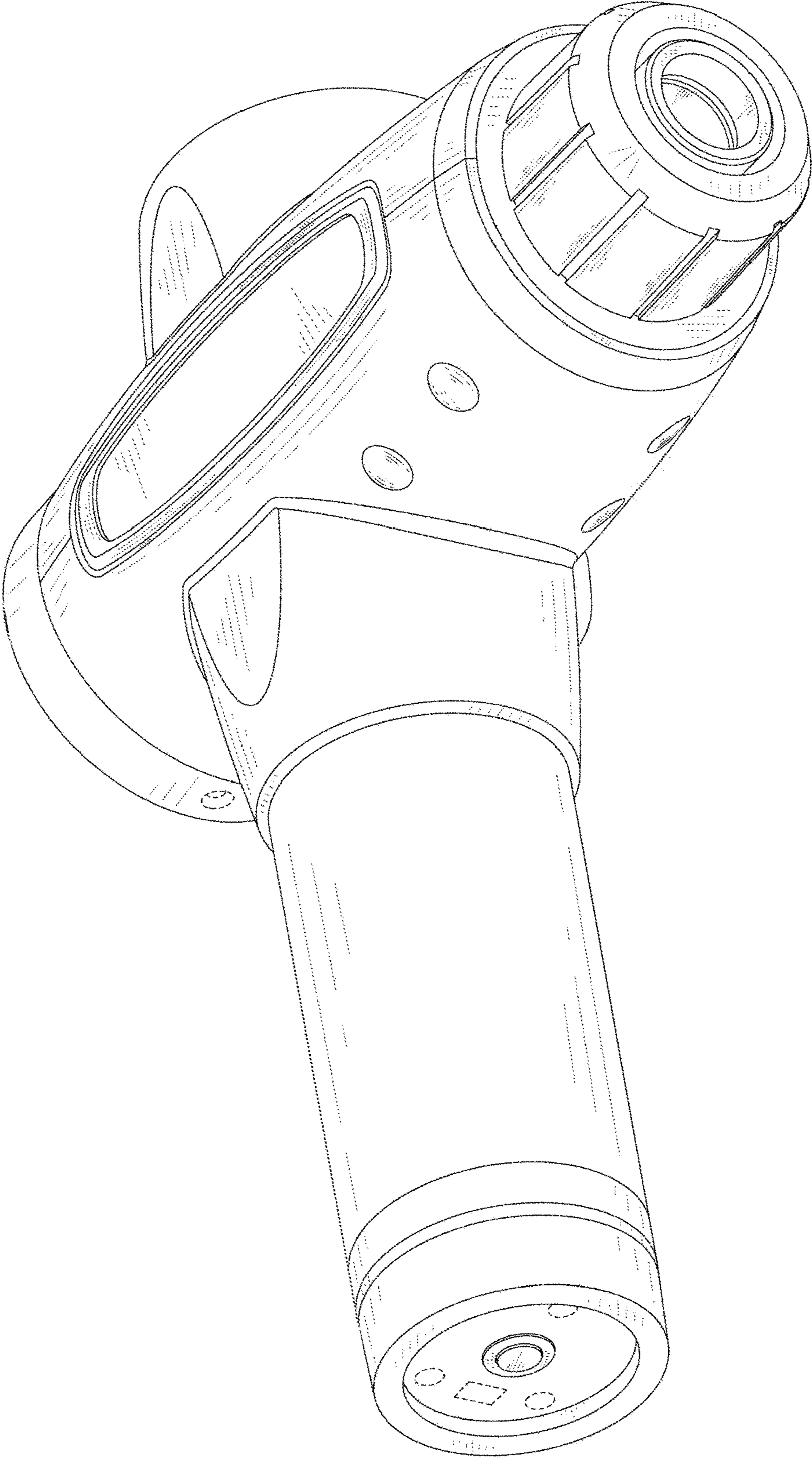


FIG. 2



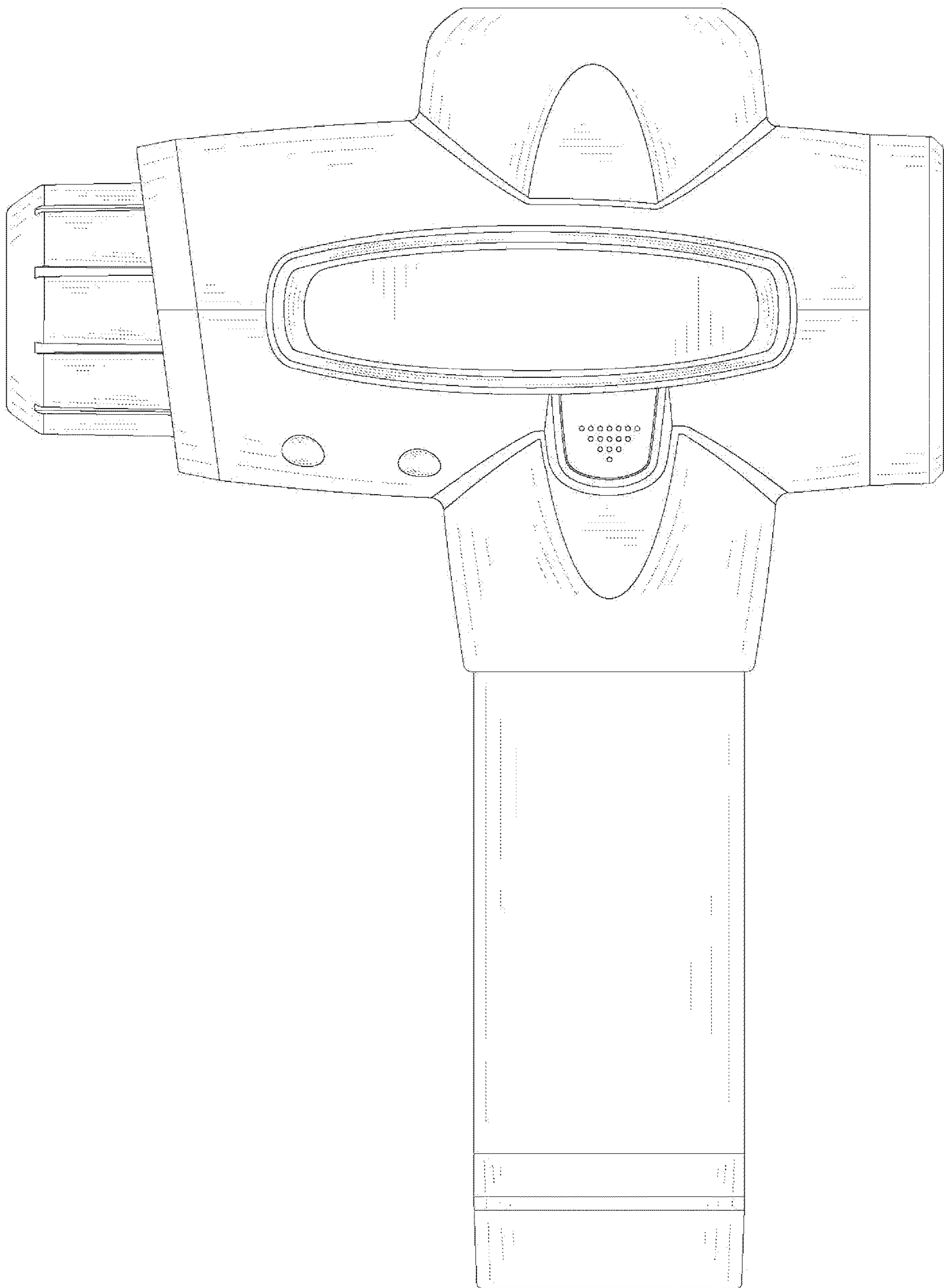


FIG. 3

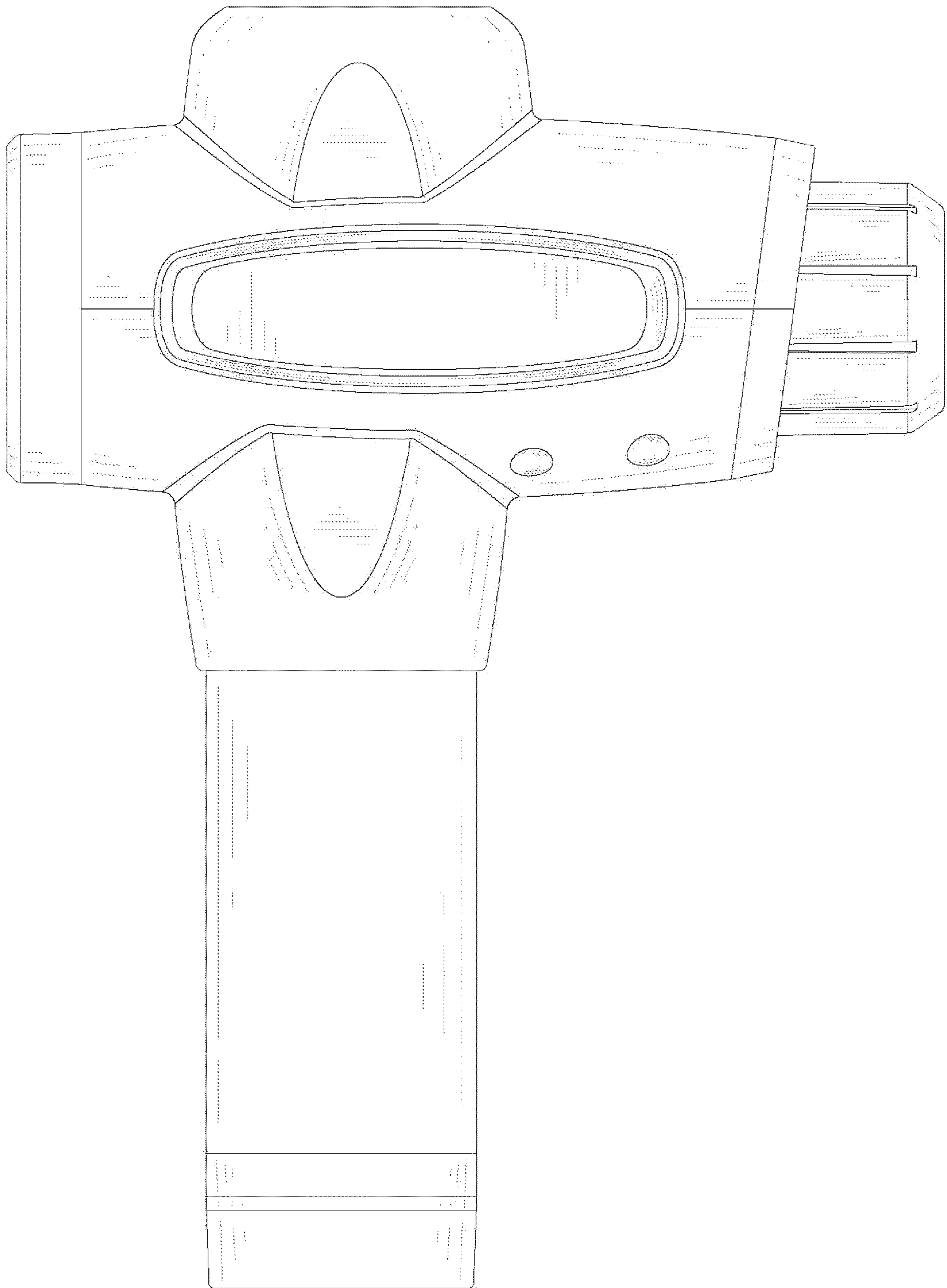


FIG. 4

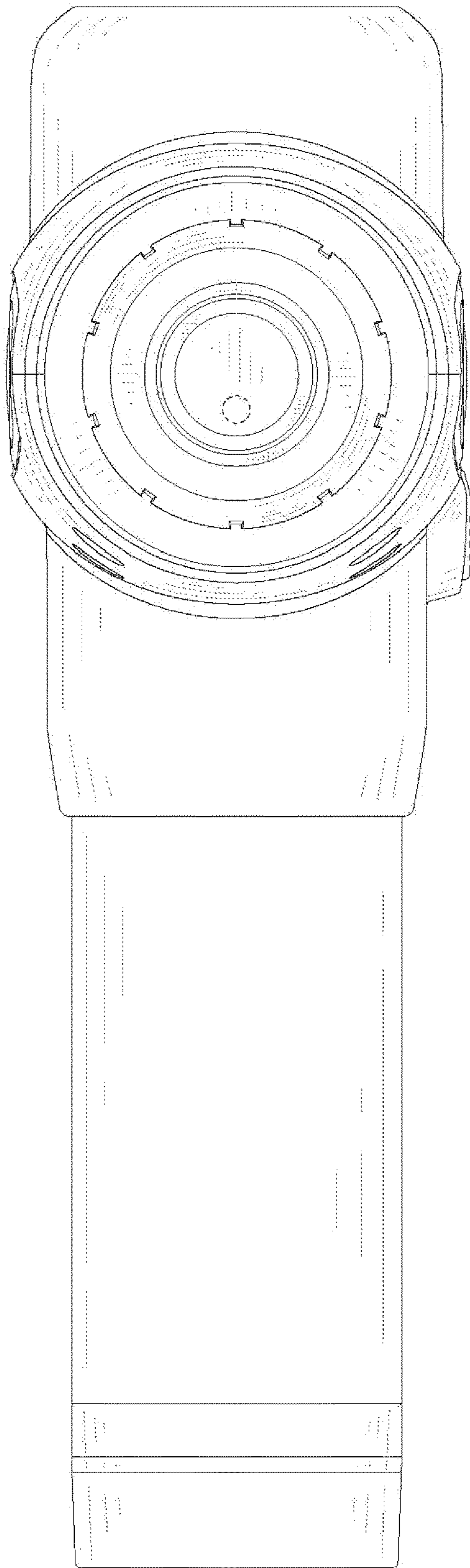


FIG. 5

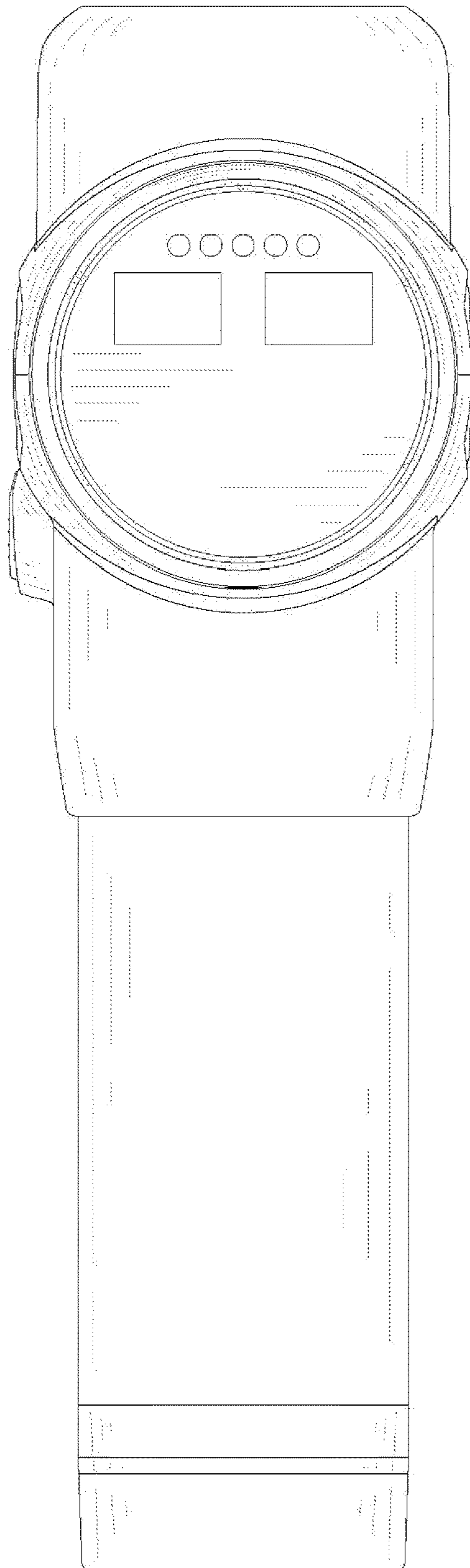


FIG. 6

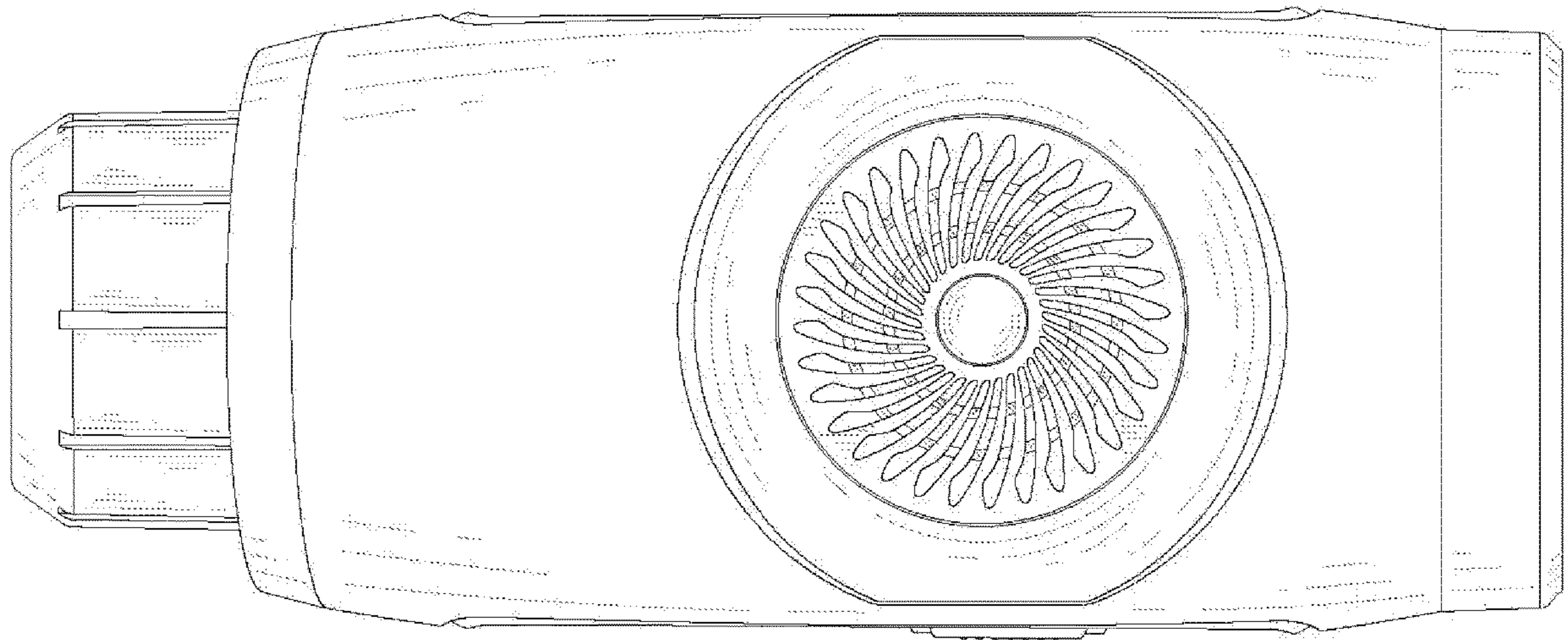


FIG. 7



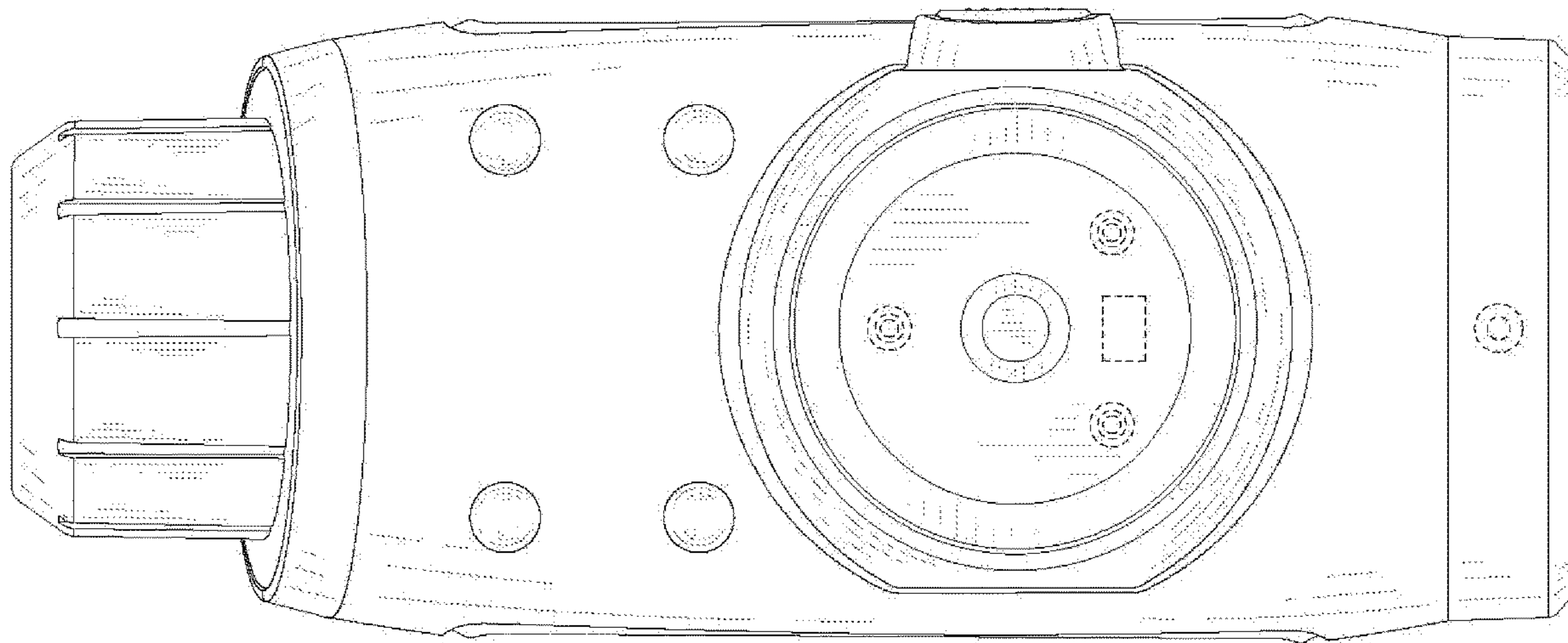


FIG.8