



US00D913516S

(12) **United States Design Patent**  
**Zhang**

(10) **Patent No.:** **US D913,516 S**  
(45) **Date of Patent:** **\*\* Mar. 16, 2021**

(54) **MUSCLE MASSAGER**  
(71) Applicant: **Sichuan Qianli-beoka Medical Technology Inc., Sichuan (CN)**  
(72) Inventor: **Wen Zhang, Sichuan (CN)**  
(73) Assignee: **Sichuan Qianli-beoka Medical Technology Inc., Chengdu (CN)**

(\*\*) Term: **15 Years**  
(21) Appl. No.: **29/692,962**  
(22) Filed: **May 29, 2019**

(30) **Foreign Application Priority Data**  
Dec. 29, 2018 (CN) ..... 201830769804.7  
(51) **LOC (13) Cl.** ..... **28-03**  
(52) **U.S. Cl.**  
USPC ..... **D24/215**  
(58) **Field of Classification Search**  
USPC ..... D24/200, 211-215  
CPC ..... A61H 7/001; A61H 7/002; A61H 7/003;  
A61H 7/007; A61H 1/00; A61H 23/006;  
A61H 23/004; A61H 23/06; A61H 23/00;  
A61H 2201/0153; A61H 2201/0157;  
A61H 2205/06; A61H 2205/065; A61H  
2205/081; A61H 2205/10; A61H 2205/00;  
A61H 2205/084; A61H 2205/106; A61H  
2205/108  
See application file for complete search history.

(56) **References Cited**  
U.S. PATENT DOCUMENTS

10,314,762 B1 \* 6/2019 Marton ..... A61H 23/004  
D855,822 S \* 8/2019 Marton ..... D24/215  
D873,432 S \* 1/2020 Duan ..... D24/214  
D875,961 S \* 2/2020 Li ..... D24/211  
D884,205 S \* 5/2020 Zhuang ..... D24/215

D884,207 S \* 5/2020 Ma ..... D24/215  
D893,738 S \* 8/2020 Zhuang ..... D24/215  
D895,133 S \* 9/2020 Xu ..... D24/215  
D895,135 S \* 9/2020 Xu ..... D24/215  
D895,831 S \* 9/2020 Chen ..... D24/215  
D898,933 S \* 10/2020 Xu ..... D24/215  
D899,620 S \* 10/2020 Huang ..... D24/215

**FOREIGN PATENT DOCUMENTS**

CN 306042926 \* 1/2020

**OTHER PUBLICATIONS**

Pink Recovapro. Retrieved on Oct. 27, 2020. Retrieved on the Internet: <URL: [https://recovapro.co.uk/products/recovapro-the-best-vibration-massage-device-3?utm\\_source=Rakuten&utm\\_medium=affiliates&utm\\_content=Skimli . . .](https://recovapro.co.uk/products/recovapro-the-best-vibration-massage-device-3?utm_source=Rakuten&utm_medium=affiliates&utm_content=Skimli...)>.\*

\* cited by examiner

*Primary Examiner* — Wan Laymon

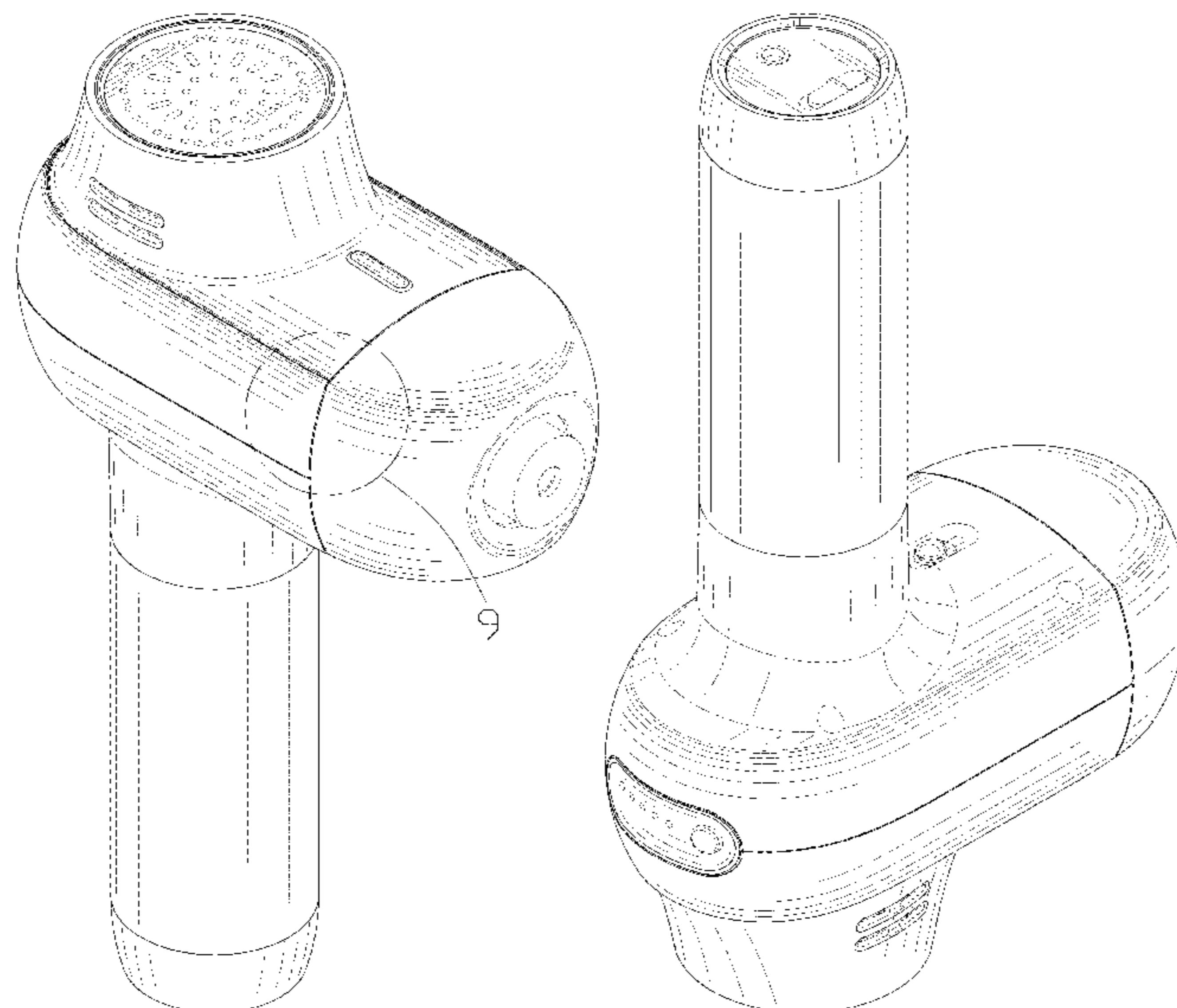
(57) **CLAIM**

The ornamental design for a muscle massager, as shown and described.

**DESCRIPTION**

FIG. 1 is a top, front and left side perspective view of a muscle massager showing my new design;  
FIG. 2 is a bottom, rear and right side perspective view thereof;  
FIG. 3 is a front elevational view thereof;  
FIG. 4 is a rear elevational view thereof;  
FIG. 5 is a left side view thereof;  
FIG. 6 is a right side view thereof;  
FIG. 7 is a top plan view thereof;  
FIG. 8 is a bottom plan view thereof; and,  
FIG. 9 is an enlarged view of portion 9 in FIG. 1.  
The broken lines in the drawings illustrate portions of the muscle massager which form no part of the claimed design.

**1 Claim, 9 Drawing Sheets**



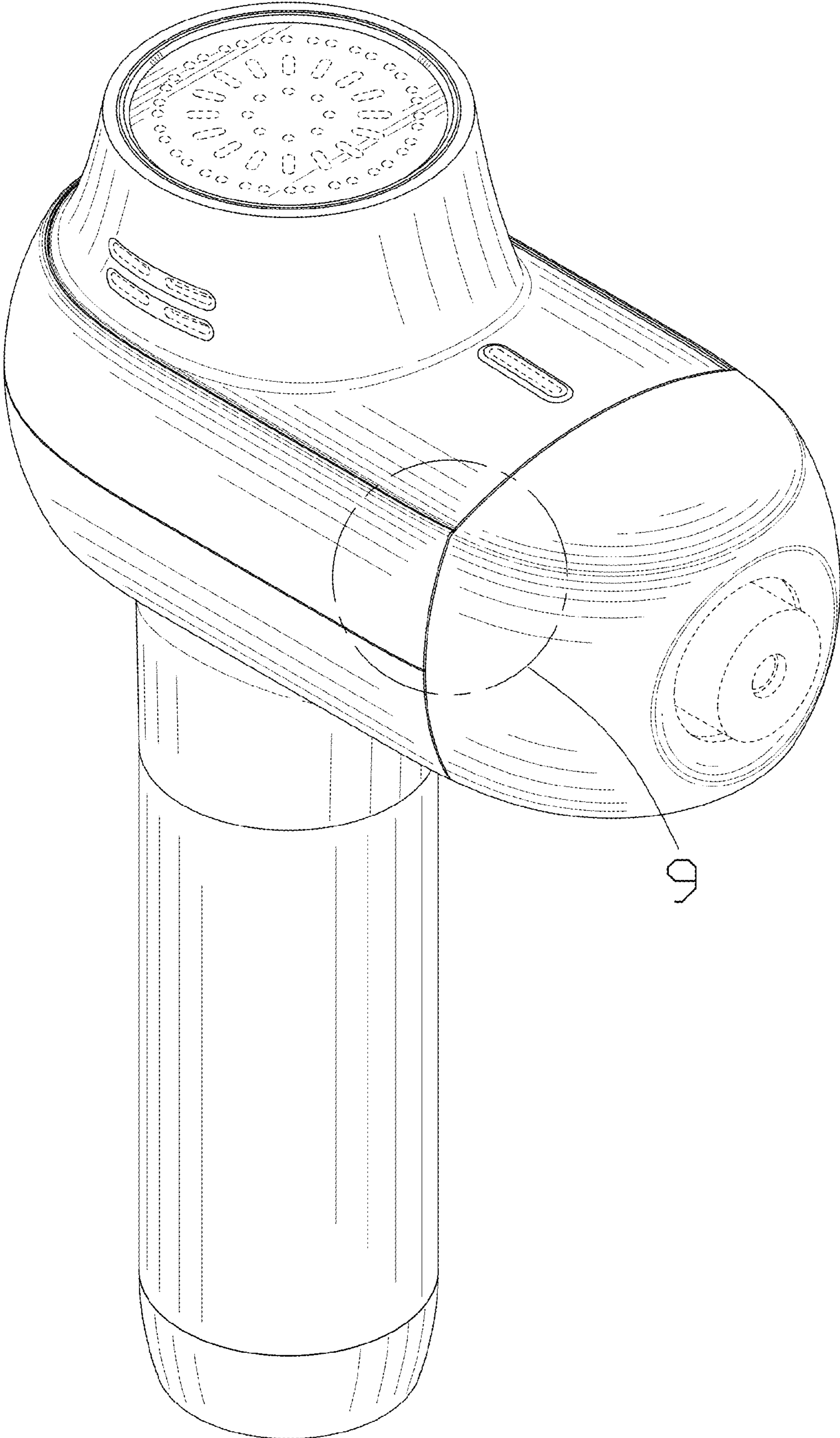


FIG. 1

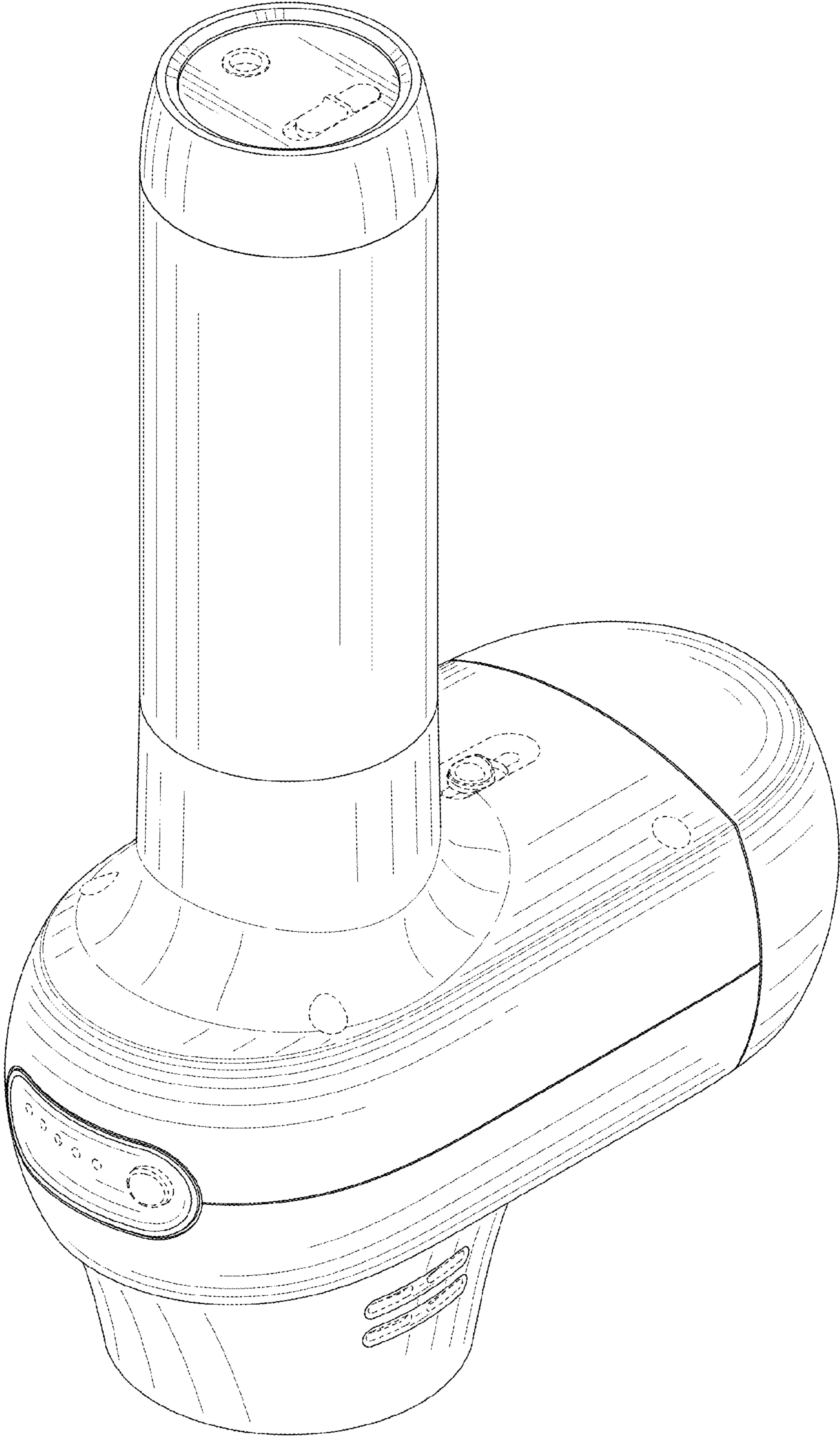


FIG. 2

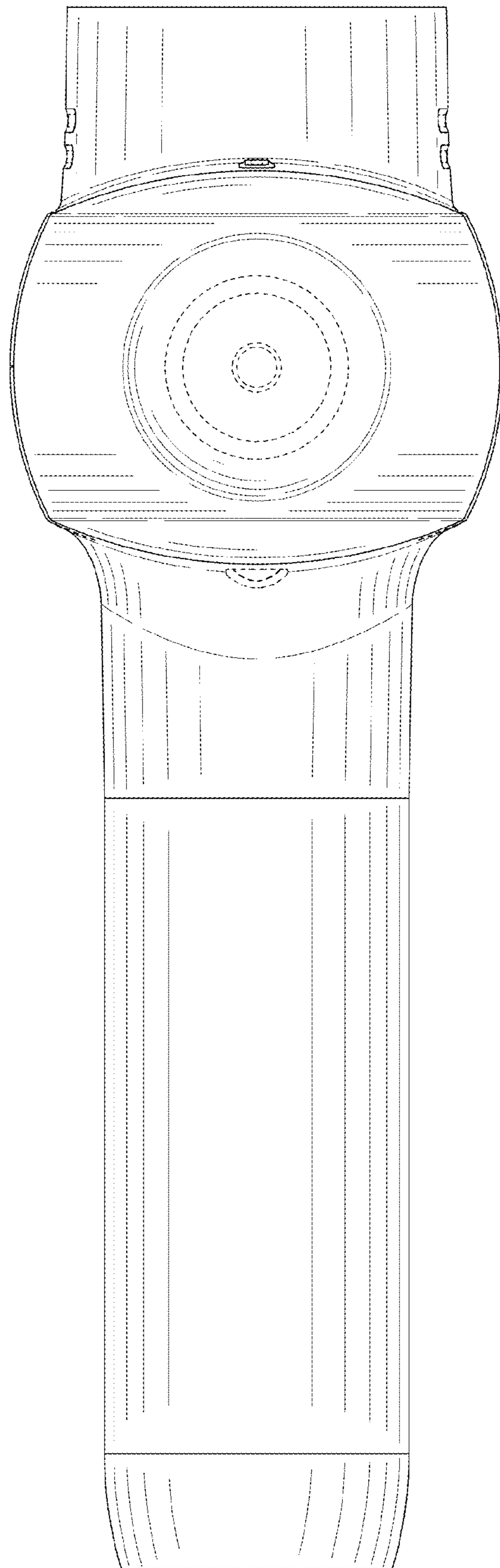


FIG. 3

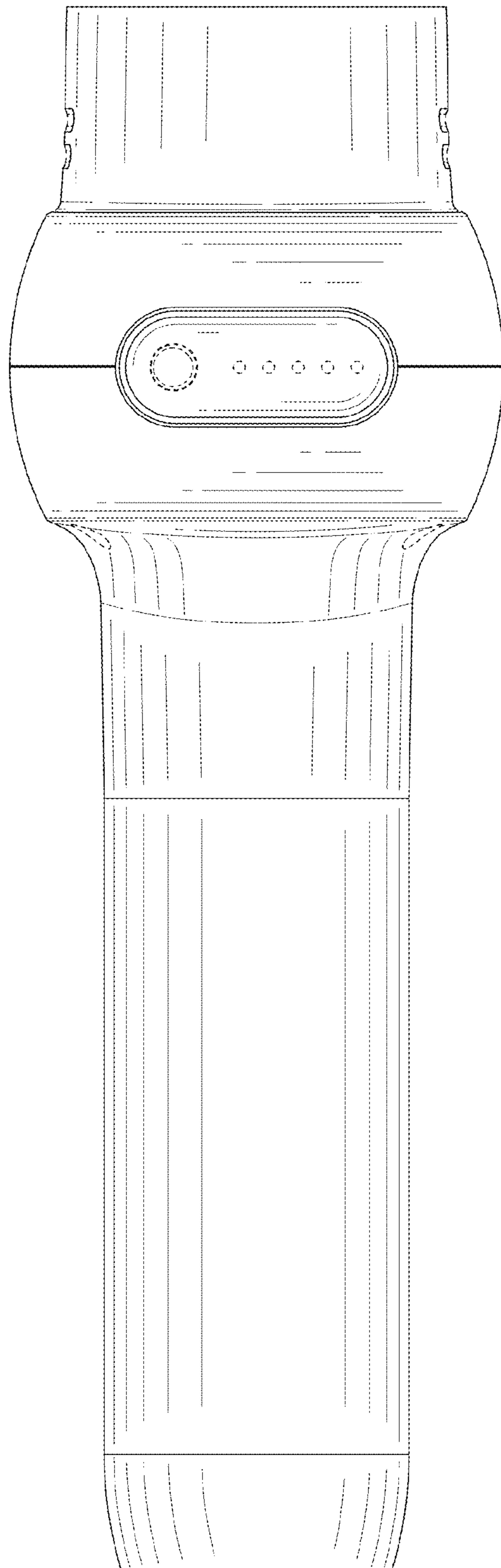


FIG. 4

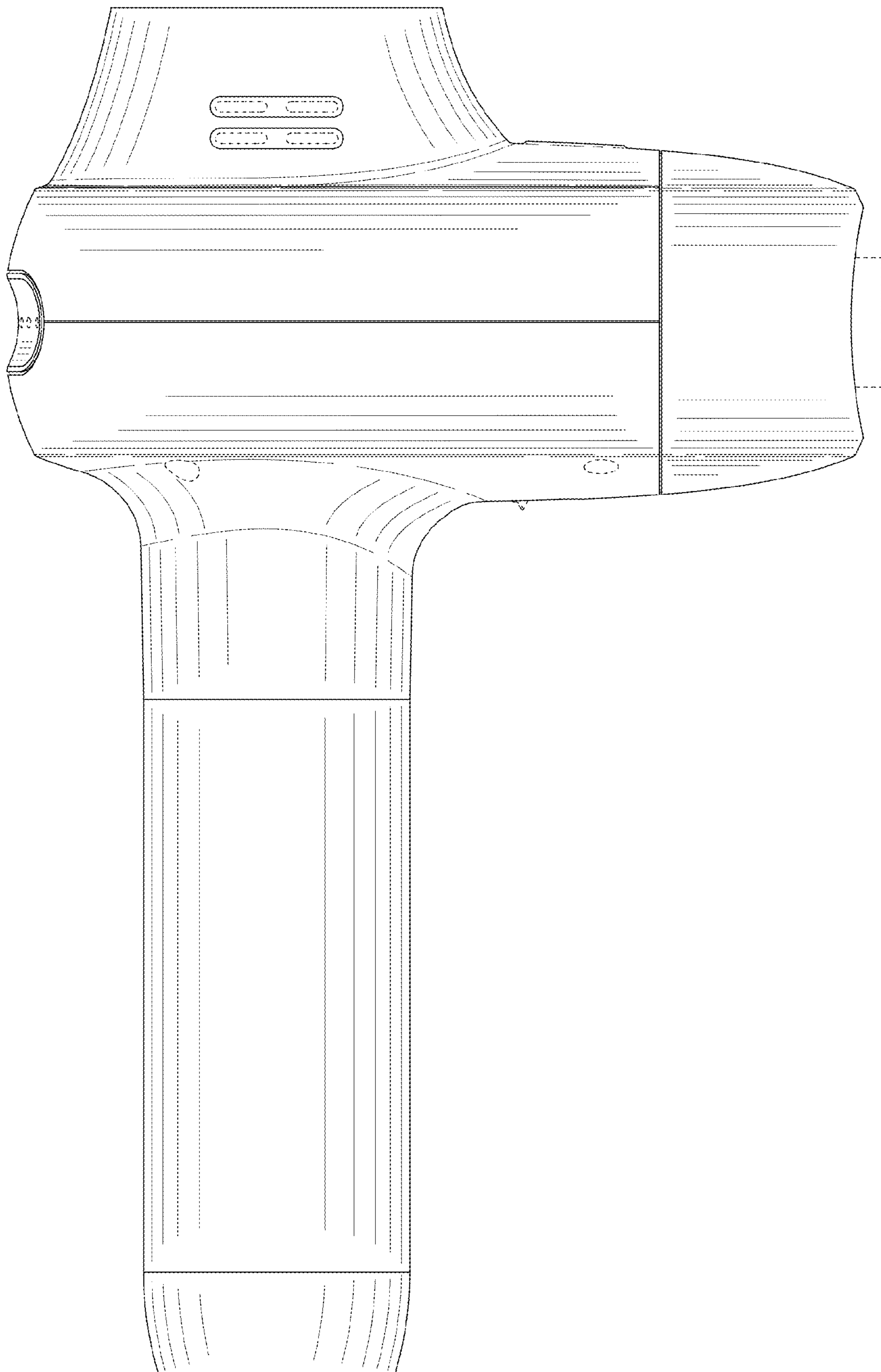


FIG. 5

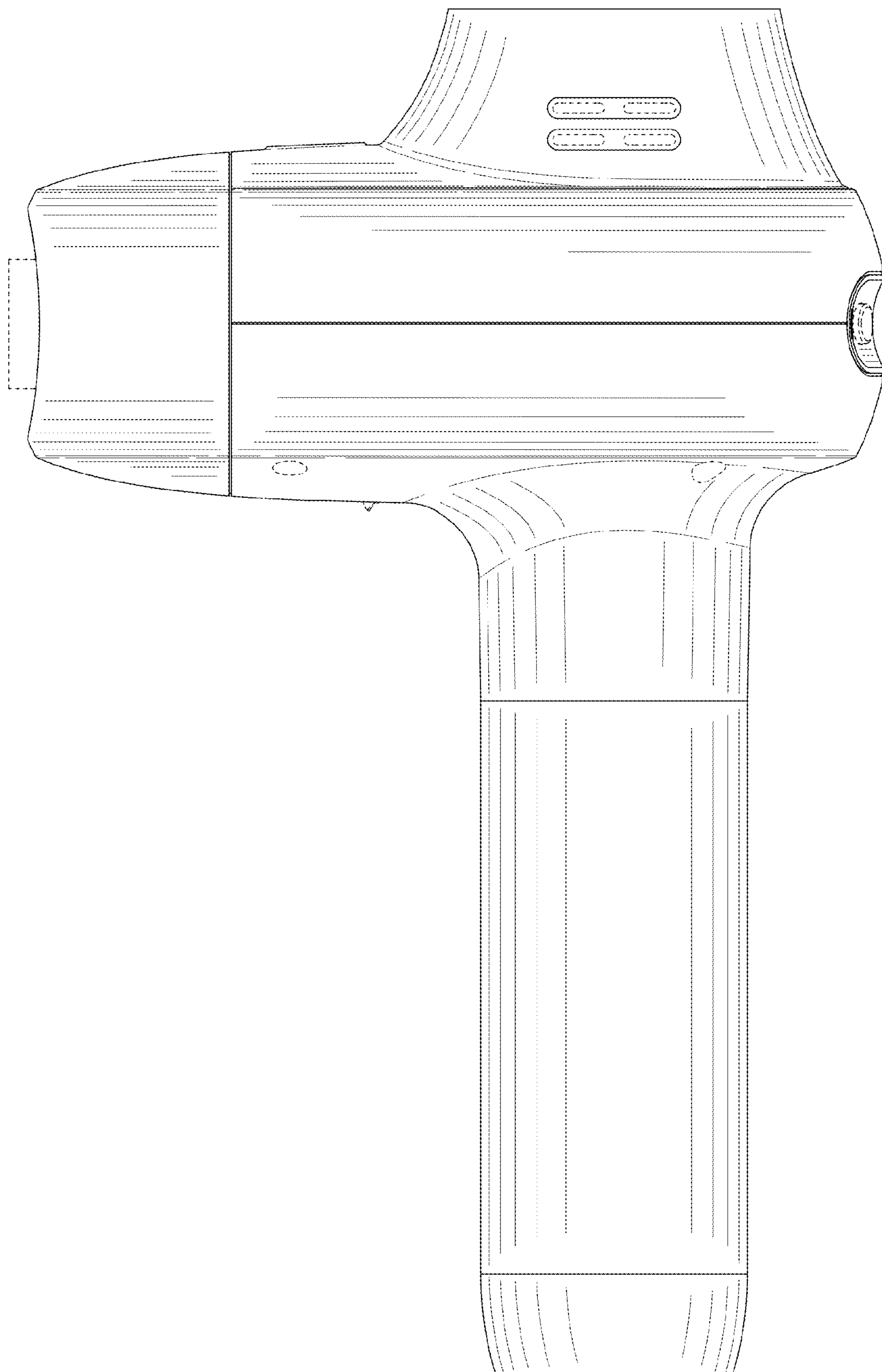


FIG. 6

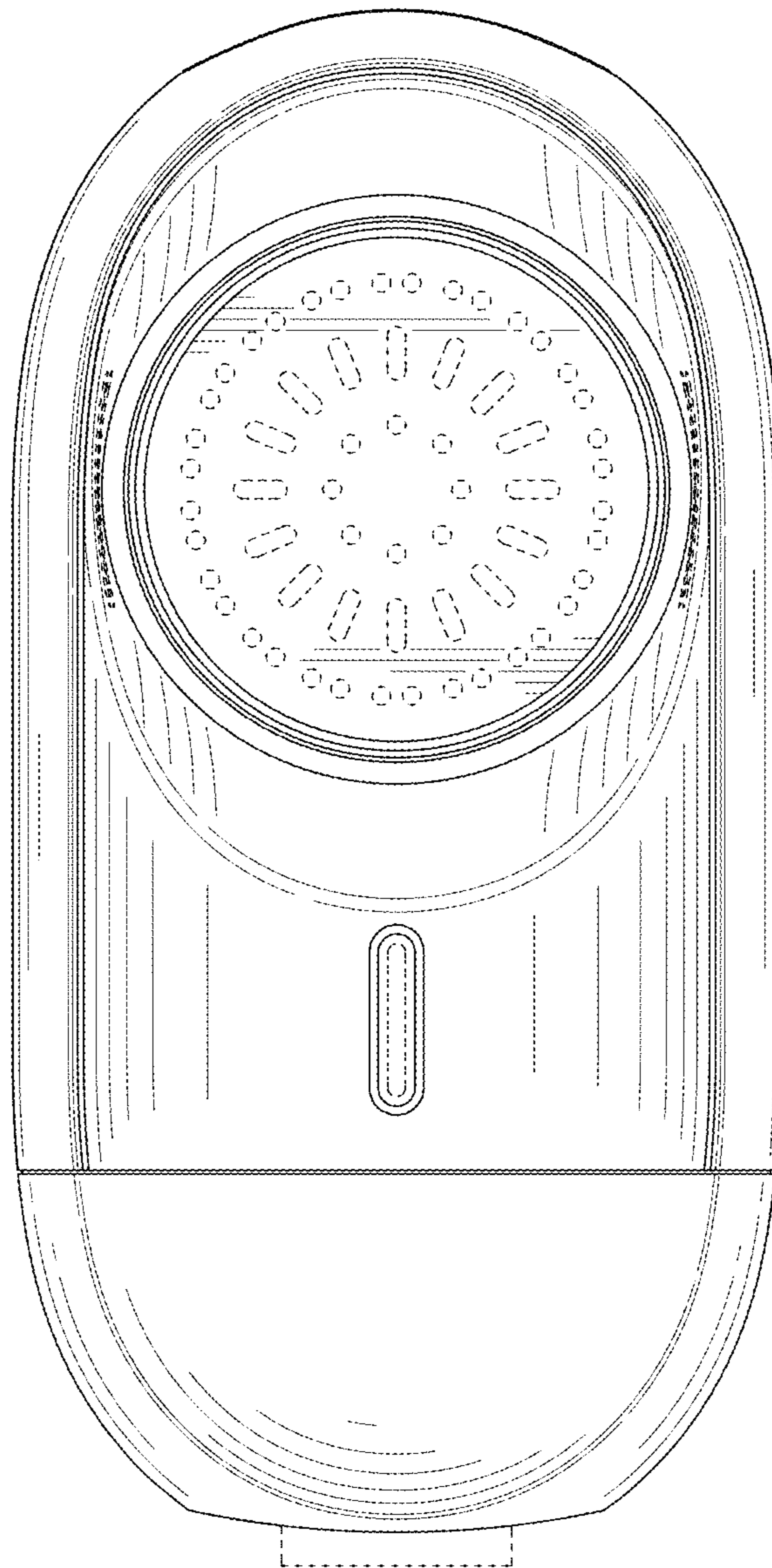


FIG. 7



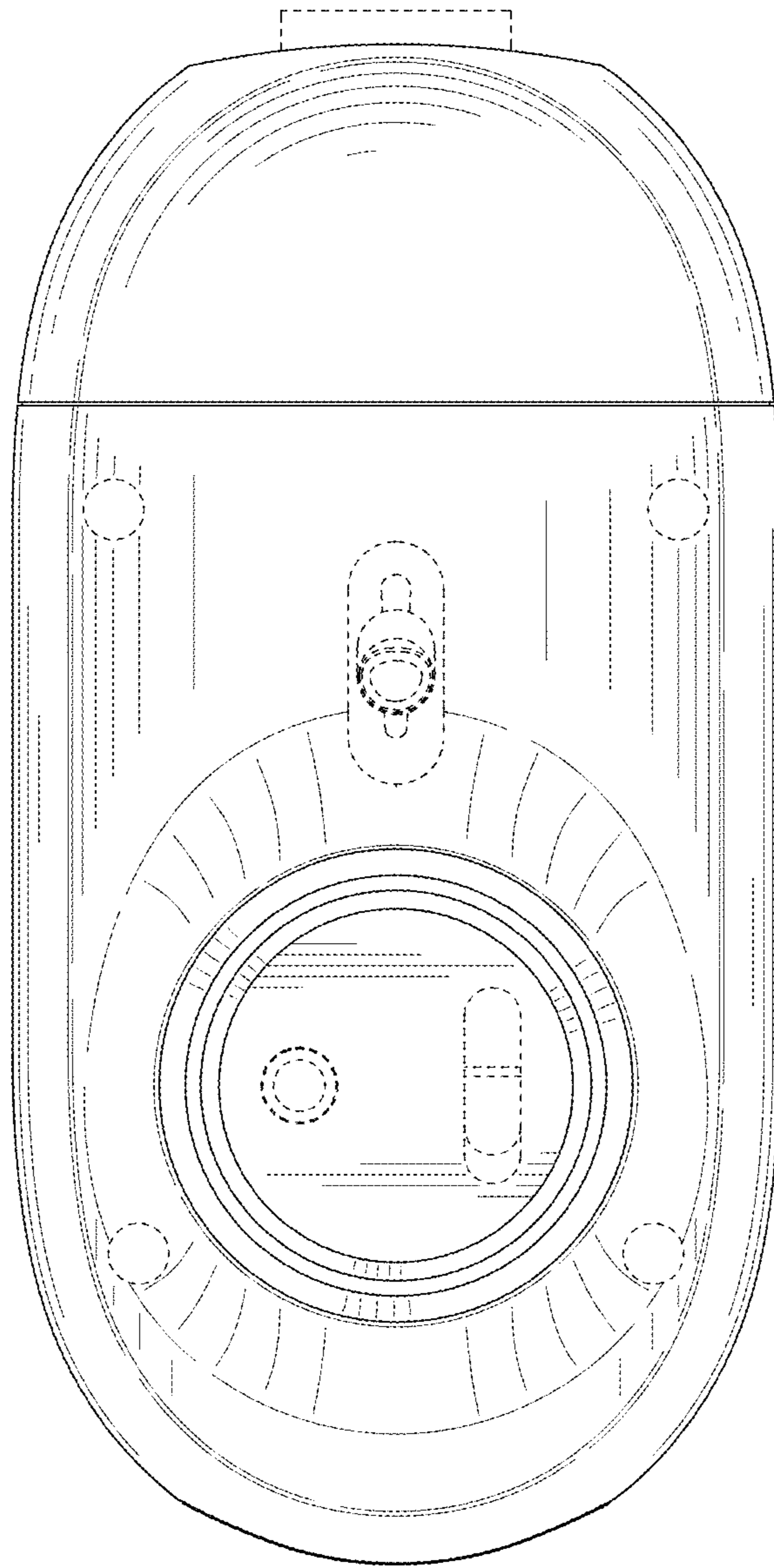


FIG. 8

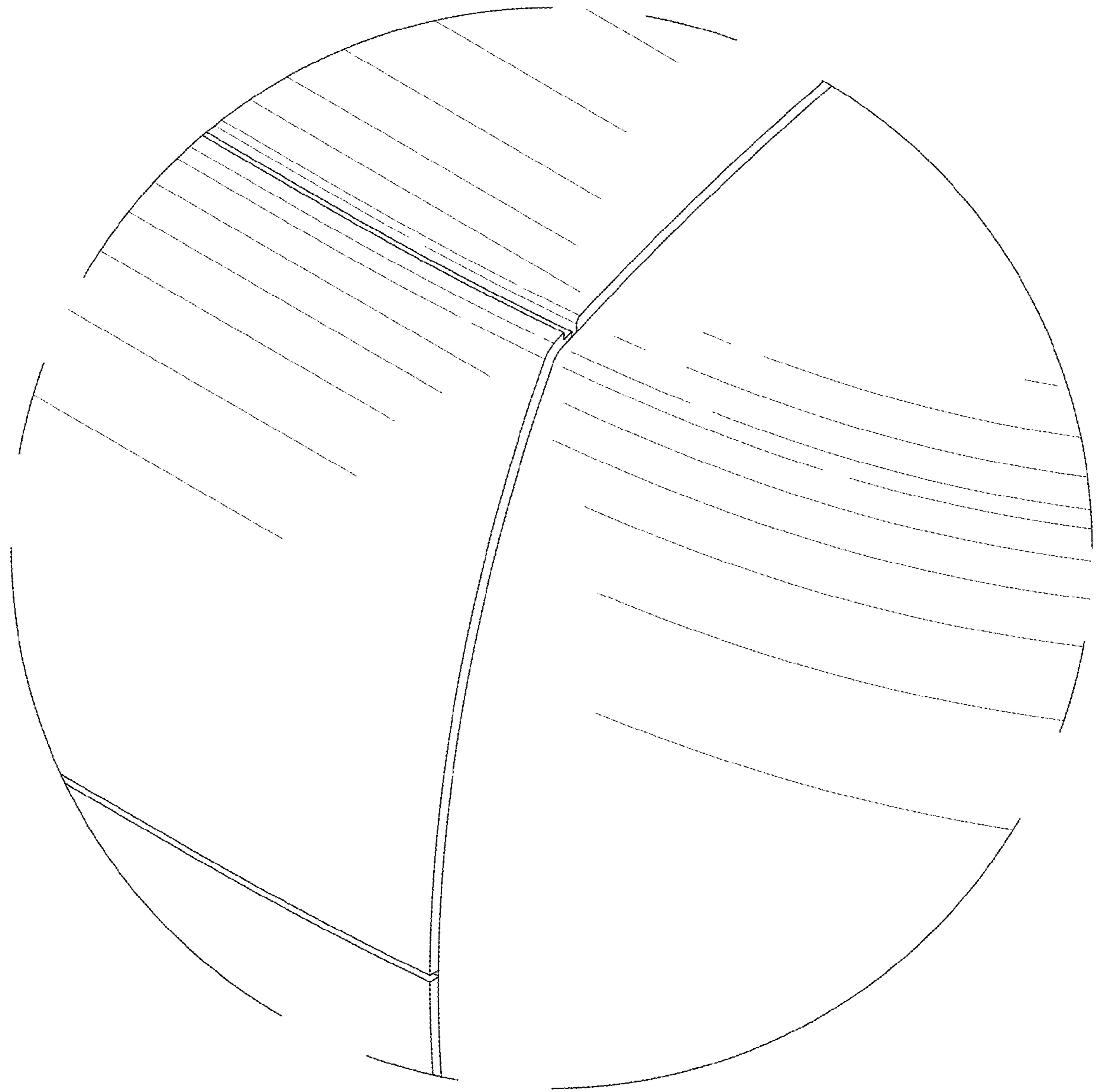


FIG. 9