



US00D913513S

(12) **United States Design Patent** (10) **Patent No.:** **US D913,513 S**  
**Liu** (45) **Date of Patent:** **\*\* Mar. 16, 2021**

(54) **MESSAGE STONE WARMER**

(71) Applicant: **Jusheng Liu**, Shenzhen (CN)

(72) Inventor: **Jusheng Liu**, Shenzhen (CN)

(\*\*) Term: **15 Years**

(21) Appl. No.: **29/743,612**

(22) Filed: **Jul. 22, 2020**

(51) **LOC (13) Cl.** ..... **24-04**

(52) **U.S. Cl.**  
USPC ..... **D24/206; D3/276**

(58) **Field of Classification Search**  
USPC ..... D24/206–208, 214–215, 200, 176–177;  
D3/201, 272–274, 276, 283–284,  
D3/294–295, 307, 900; D9/414, 420,  
D9/423, 432  
CPC ..... A61F 7/00; A61F 2007/0001; A61F  
2007/0024; A61H 2201/0207; A61H  
2205/081; B65D 85/00; A45C 5/03;  
A45C 3/02

See application file for complete search history.

(56) **References Cited**

**U.S. PATENT DOCUMENTS**

D178,845 S *	9/1956	Moxley	.....	D24/215
3,912,055 A *	10/1975	Malooly	.....	A45C 3/02
				190/109
D273,328 S *	4/1984	Hastings	.....	D24/214
D314,083 S *	1/1991	Hankinson	.....	D3/274
D399,653 S *	10/1998	Shellenberger	.....	D3/294
D602,597 S *	10/2009	Nomi	.....	D24/206
D619,808 S *	7/2010	Huang	.....	D3/276
8,715,210 B2 *	5/2014	Orlando	.....	A61F 7/00
				601/15
D794,813 S *	8/2017	Zsolcsak	.....	D24/206
10,857,423 B2 *	12/2020	Christoforou	.....	A61F 7/00
2015/0305923 A1 *	10/2015	Ebel	.....	A61F 7/00
				601/15

**OTHER PUBLICATIONS**

Electric Hot Stone Heater Spa Massage Stone Warmer Heating Box Case, Salon Spa Rocks Stones Device for 16Pcs Stones—US Plug. Retrived Dec. 7, 2020. Retrieved from the Internet: <URL: https://www.aliexpress.com/item/4000406630974.html>.\*  
“Royal Massage Chrome Case Hot Stone Heater w/10 Hot Rocks”, Retrieved Jul. 22, 2020]. Retrieved from Internet, https://www.amazon.com/Royal-Massage-Chrome-Stone-Heater/dp/B0182ZDPD8/ref.  
“Royal Massage Clamshell Hot Stone Heater with 4 Hot Rocks”, Retrieved Jul. 22, 2020]. Retrieved from Internet, https://www.amazon.com/Royal-Massage-Clamshell-Stone-Heater/dp/B00WAMU72W/ref.

\* cited by examiner

*Primary Examiner* — Wan Laymon

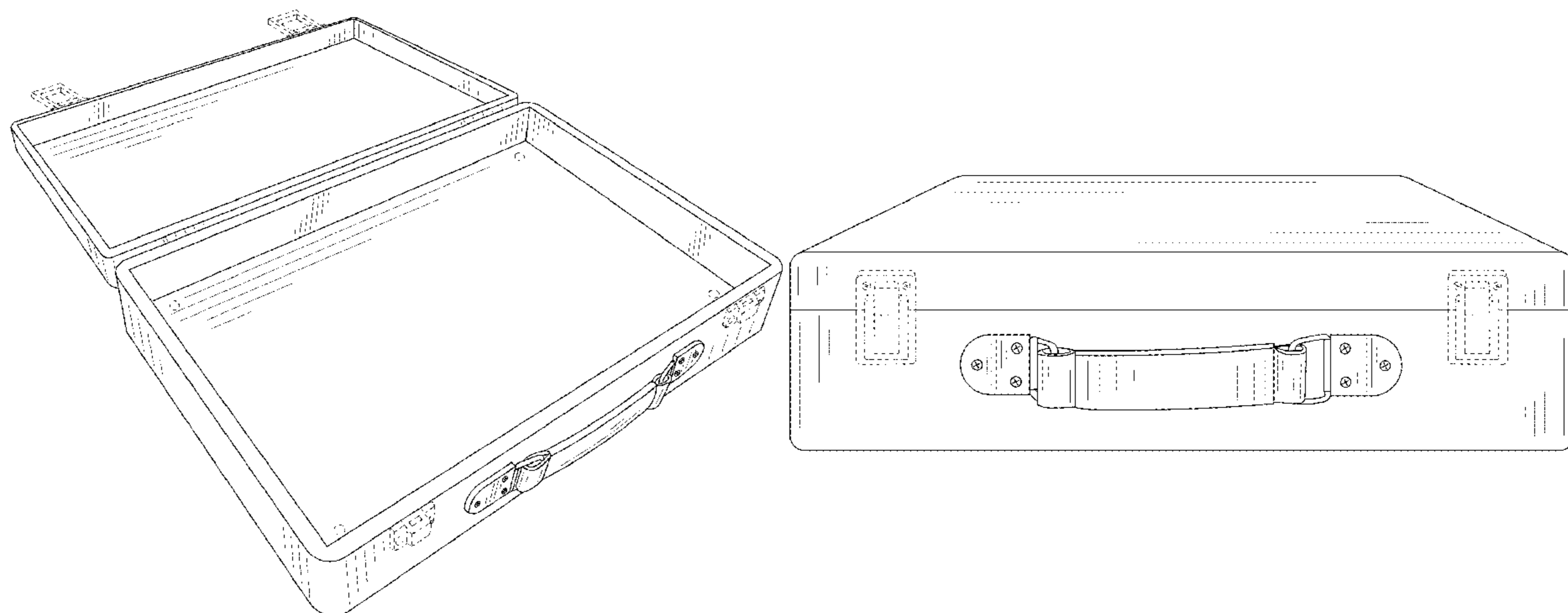
(57) **CLAIM**

The ornamental design for a massage stone warmer, as shown and described.

**DESCRIPTION**

FIG. 1 is a perspective view of a massage stone warmer showing my new design where the massage stone warmer is in an open state;  
FIG. 2 is a perspective view of the massage stone warmer where the massage stone warmer is in a close state;  
FIG. 3 is a front elevational view thereof;  
FIG. 4 is a rear elevational view thereof;  
FIG. 5 is a left side elevational view thereof;  
FIG. 6 is a right side elevational view thereof;  
FIG. 7 is a top plan view thereof; and,  
FIG. 8 is a bottom plan view thereof.  
The broken line shown in the drawings is included for the purpose of illustrating portions of the massage stone warmer and forms no part of the claimed design.

**1 Claim, 8 Drawing Sheets**



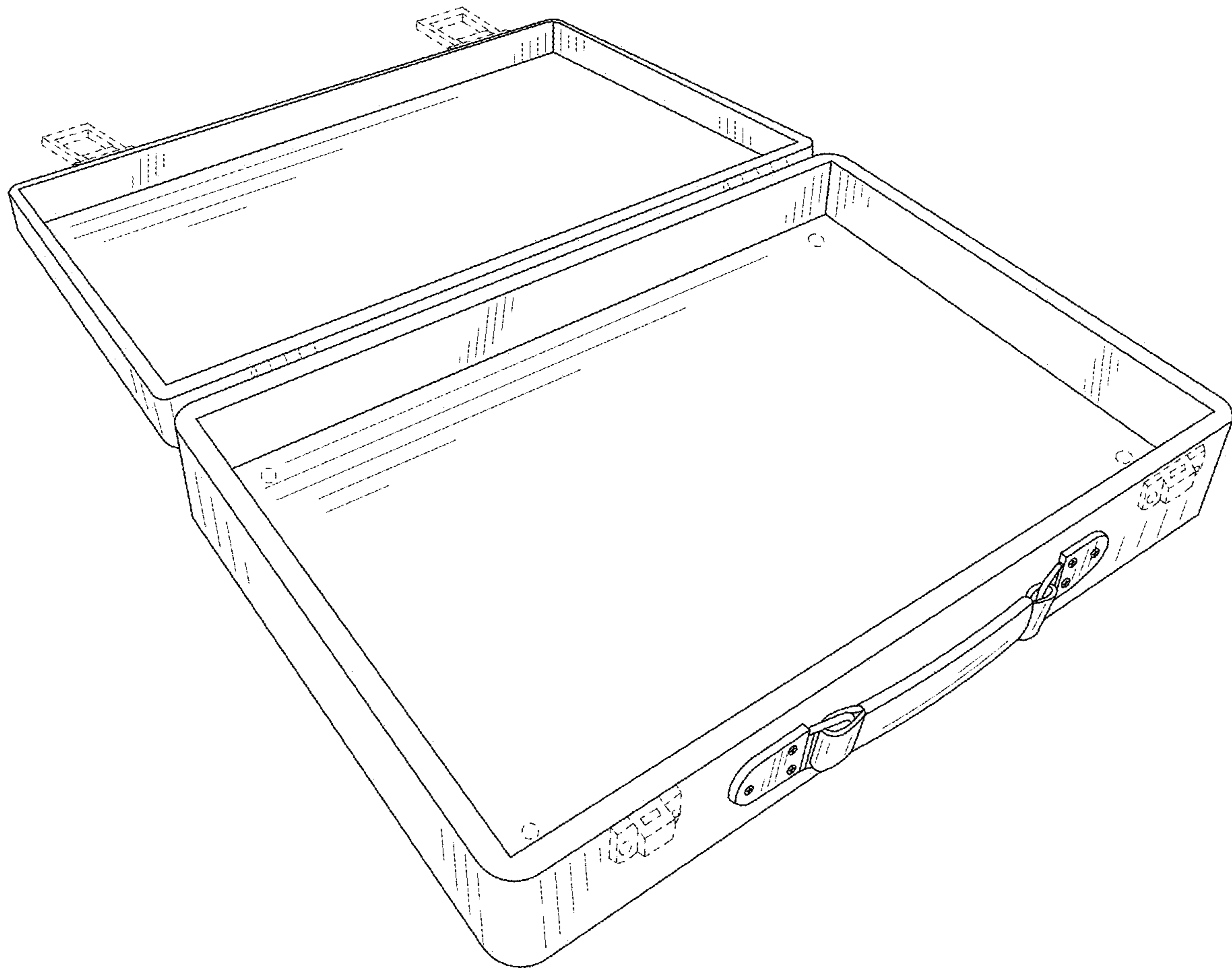


FIG. 1

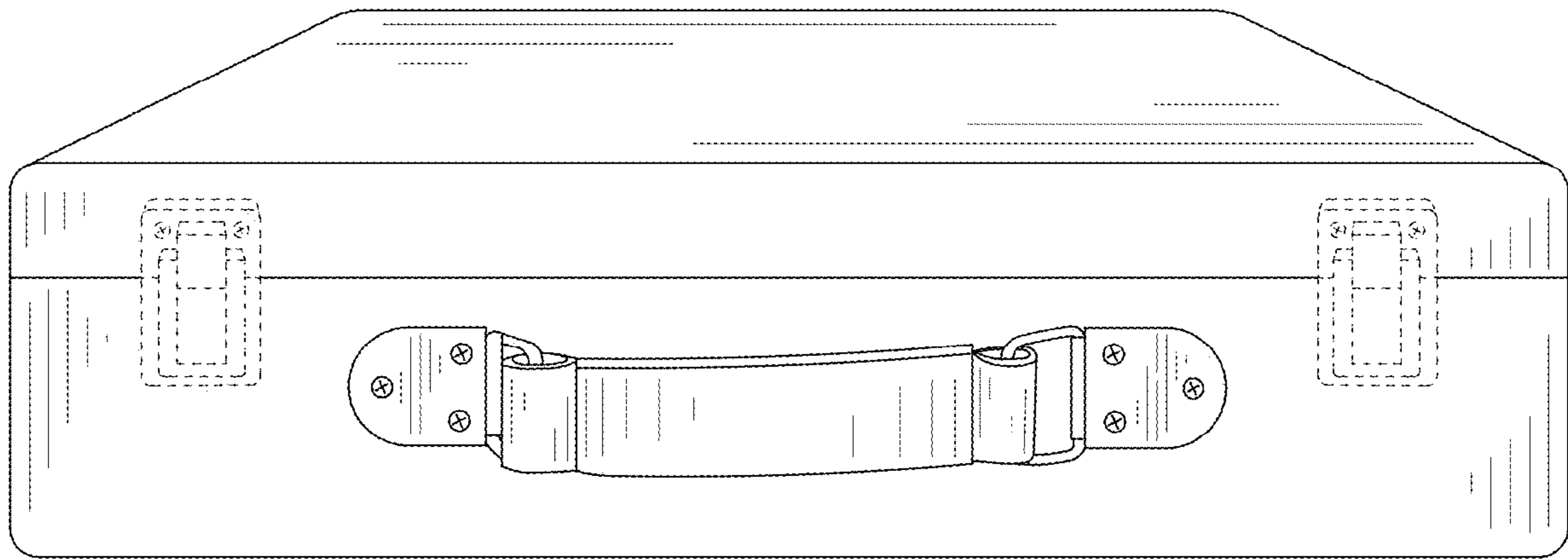


FIG. 2

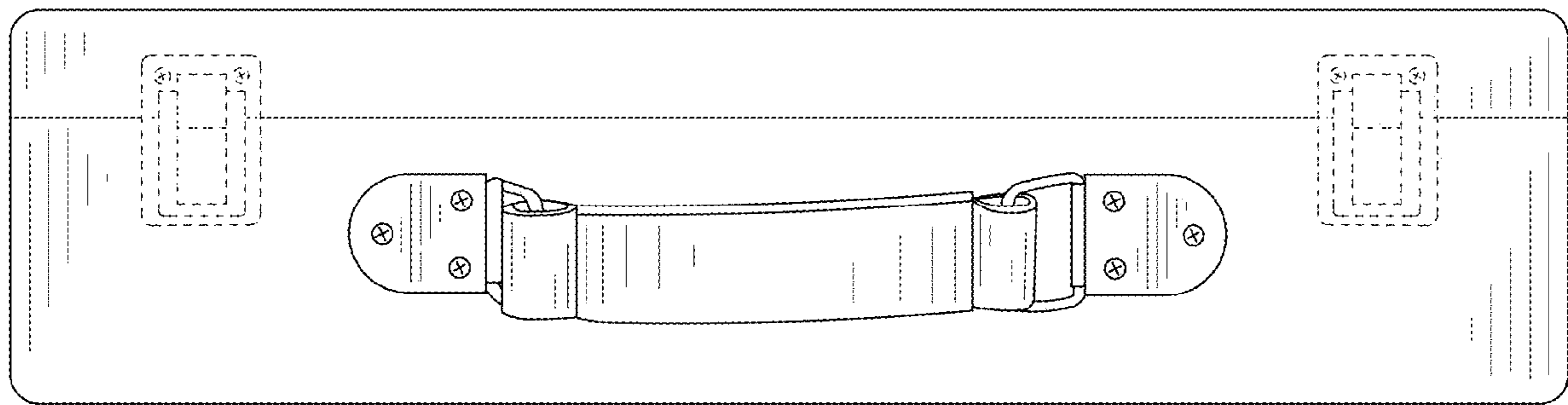


FIG. 3

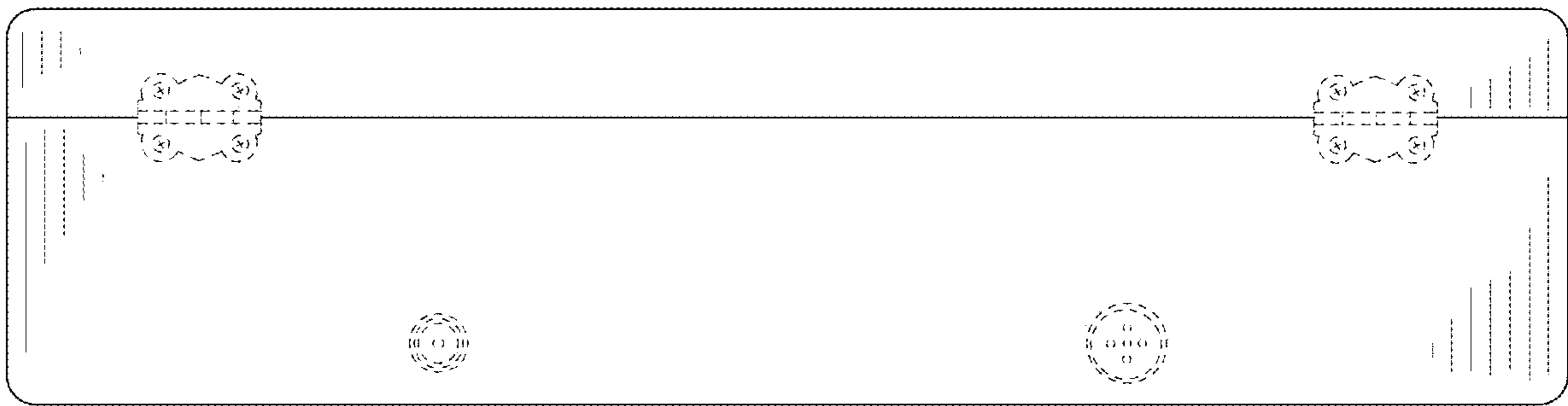


FIG. 4

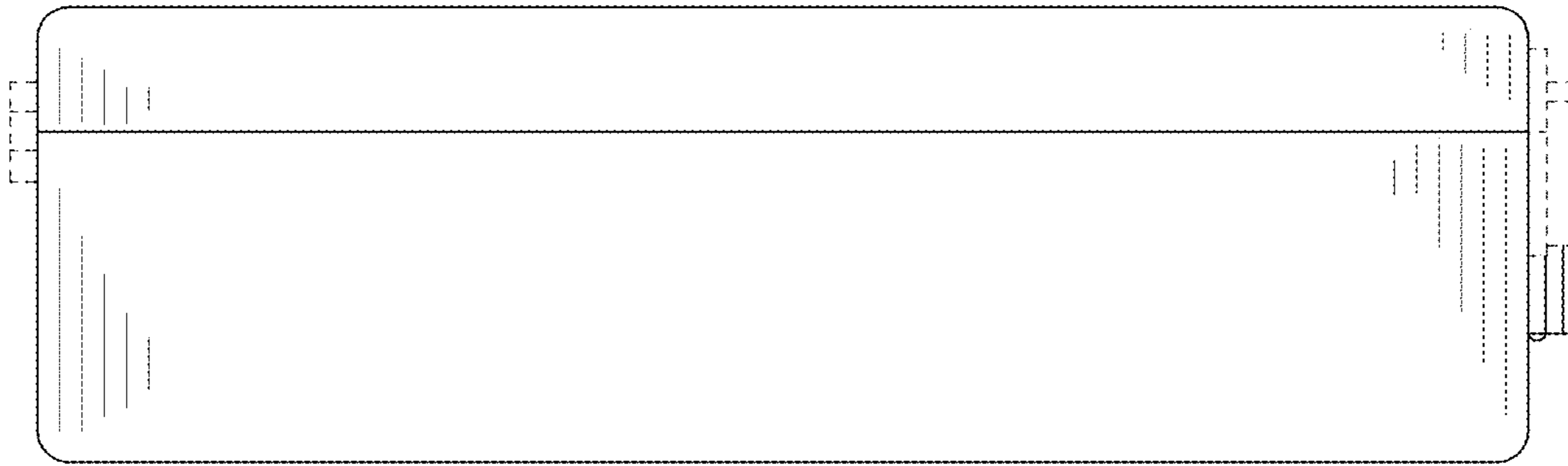


FIG. 5

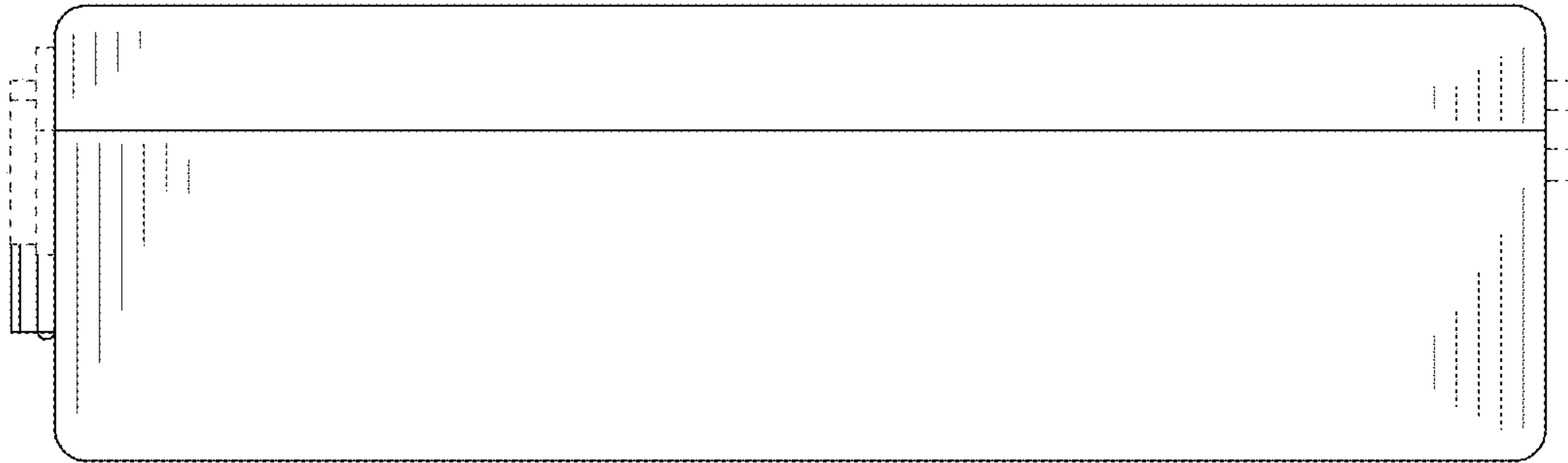


FIG. 6

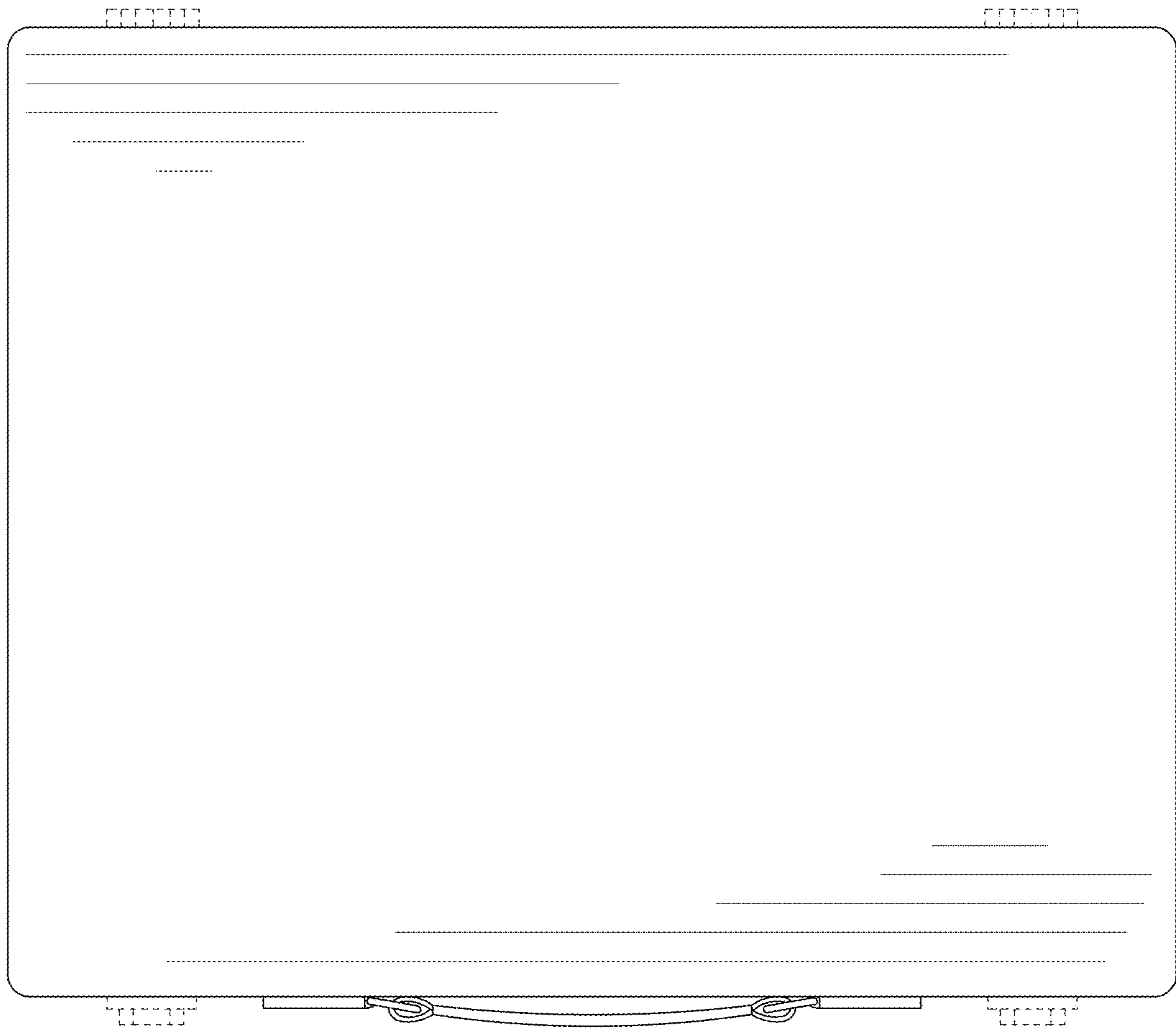


FIG. 7



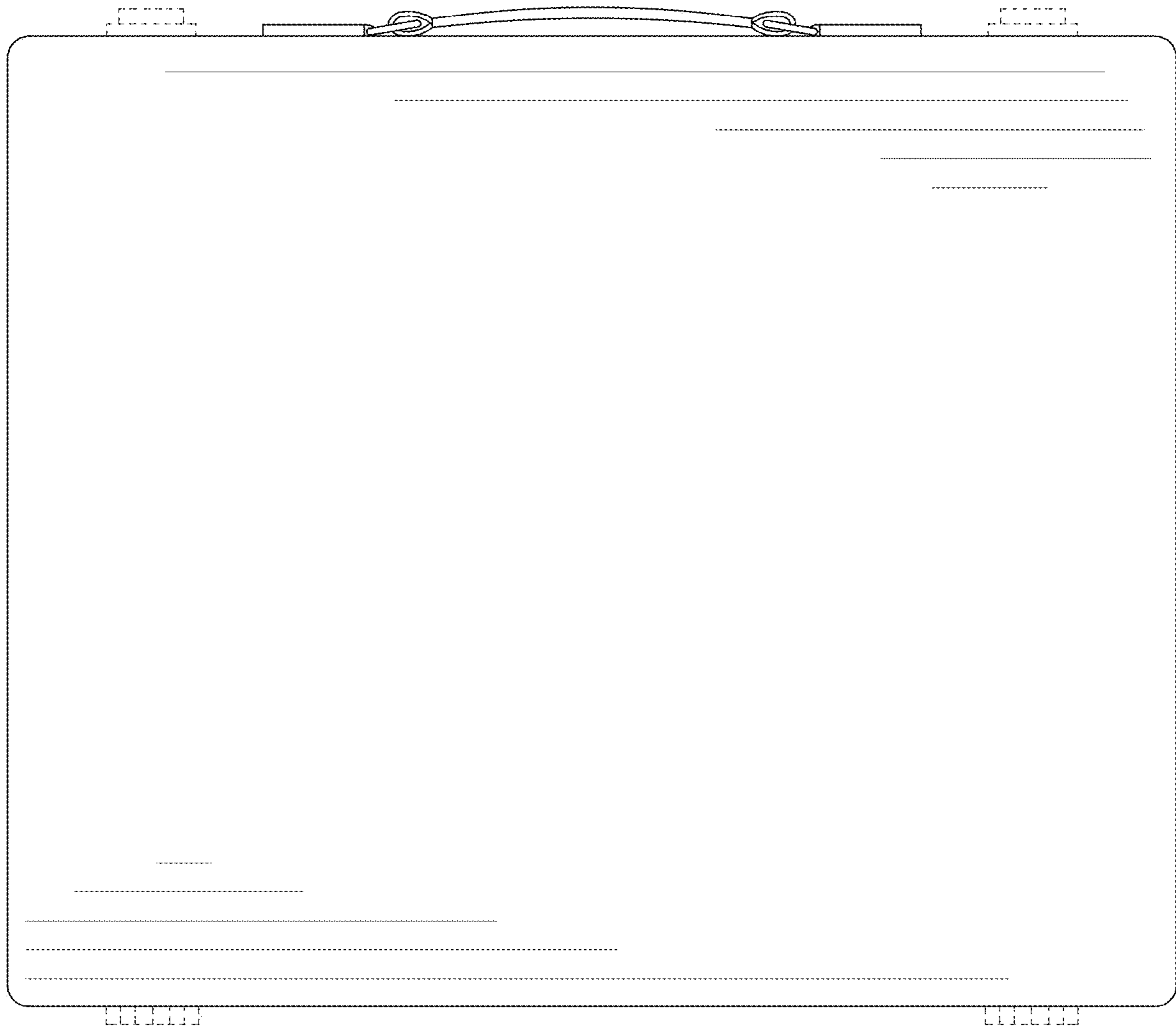


FIG. 8