



US00D913512S

(12) **United States Design Patent** (10) **Patent No.:** **US D913,512 S**
Zhang et al. (45) **Date of Patent:** **** Mar. 16, 2021**

(54) **MERIDIAN THERMOTHERAPY APPARATUS**

(71) Applicant: **Shanghai DARONG-MED Ltd.**,
Shanghai (CN)

(72) Inventors: **Jun Zhang**, Shanghai (CN); **Hongkai Wang**, Shanghai (CN)

(73) Assignee: **SHANGHAI DARONG-MED LTD.**,
Shanghai (CN)

(**) Term: **15 Years**

(21) Appl. No.: **29/675,436**

(22) Filed: **Jan. 2, 2019**

(30) **Foreign Application Priority Data**

Jul. 4, 2018 (CN) 201830354984.2

(51) **LOC (13) Cl.** **24-04**

(52) **U.S. Cl.**
USPC **D24/206**

(58) **Field of Classification Search**

USPC D24/191, 200, 201, 206, 207, 208,
D24/211–215, 111, 165, 185, 186
CPC A61H 1/00; A61H 2015/0007; A61H
2015/0014; A61H 2015/0042; A61H
15/00; A61H 11/00; A61H 21/00; A61H
37/00; A61H 15/0092; A61H 2201/0207;
A61H 2201/0221; A61H 2201/0228;
A61H 2039/005; A61F 7/00; A61F 7/02;
A61F 7/03; A61F 7/007; A61F 7/034;
A61F 2013/00187; A61F 2013/00204;
A61F 2013/00906; A61F 2007/0225;
A61F 2007/0071; A61F 2007/0072; A61F
2007/0087; A61F 2007/0088; A61F
2007/0089; A61N 1/403; A61N 5/06;
A61N 2005/006; A61N 2005/0659; A61N
2005/0644

See application file for complete search history.

(56) **References Cited**

U.S. PATENT DOCUMENTS

D204,921 S * 5/1966 McNair D24/206
D323,562 S * 1/1992 Tsou D24/206
D399,967 S * 10/1998 Scala D24/190
D456,693 S * 5/2002 Kelleghan D8/356
D569,523 S * 5/2008 Hsieh D24/206
D582,048 S * 12/2008 Chiu D24/200

(Continued)

FOREIGN PATENT DOCUMENTS

CN 303878505 * 10/2016
CN 305156098 * 5/2019

OTHER PUBLICATIONS

Electric Meridian Scrapping Instrument, [site visited Jul. 24, 2020].
Available from Internet. URL: <https://www.aliexpress.com/i/32947666621.html> (Year: 2020).*

Primary Examiner — T Chase Nelson

Assistant Examiner — Kelly L Gross

(74) *Attorney, Agent, or Firm* — IPro, PLLC

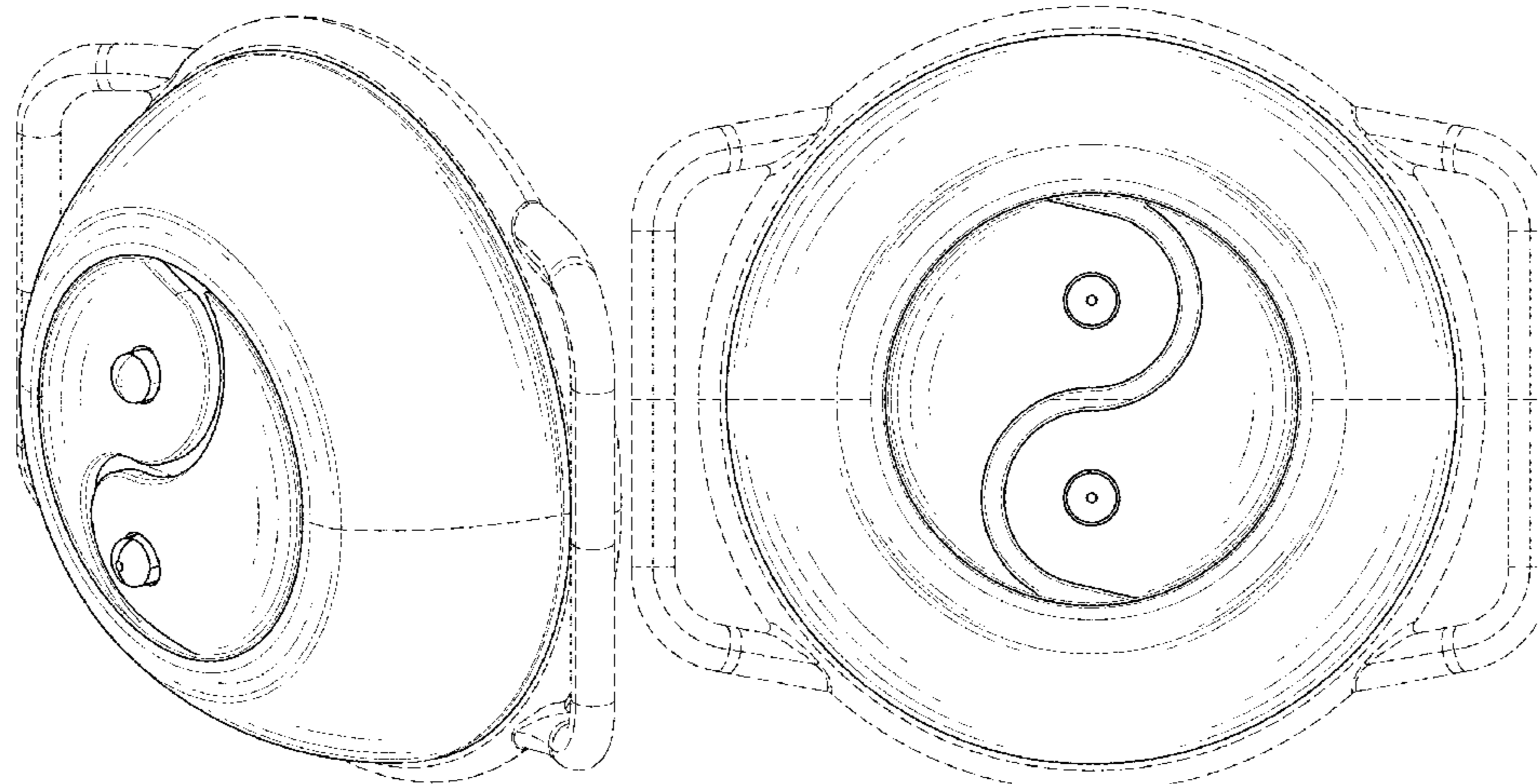
(57) **CLAIM**

The ornamental design for a meridian thermotherapy apparatus, as shown and described.

DESCRIPTION

FIG. 1 is a perspective view of a meridian thermotherapy apparatus embodying the new design;
FIG. 2 is a front view thereof;
FIG. 3 is a back view thereof;
FIG. 4 is a side view thereof;
FIG. 5 is another side view thereof;
FIG. 6 is a bottom view thereof; and,
FIG. 7 is a top view thereof.
The broken lines in the drawings show portions of the meridian thermotherapy apparatus that form no part of the claimed design.

1 Claim, 7 Drawing Sheets



(56)

References Cited

U.S. PATENT DOCUMENTS

D590,064 S *	4/2009	Janisch	D24/206	D854,698 S *	7/2019	Sivan	D24/206
D613,871 S *	4/2010	Choi	D24/215	D858,789 S *	9/2019	Logan	D24/215
D644,318 S *	8/2011	MacDonald	D24/108	D870,301 S *	12/2019	Sivan	H04R 13/00
D685,916 S *	7/2013	Hoglund	D24/206					D24/207
D687,956 S *	8/2013	Williams, III	D24/211	D885,597 S *	5/2020	Godfrey	H02K 33/18
D738,995 S *	9/2015	Shapiro	A61N 7/00					D24/206
				606/41	D898,024 S *	10/2020	Lai	D14/371
D743,569 S *	11/2015	Son	A61N 1/328	D899,089 S *	10/2020	Yu	D3/297
				D24/206	2004/0210214 A1 *	10/2004	Knowlton	A61N 7/00
D747,810 S *	1/2016	Bangser	D24/206					606/41
D756,528 S *	5/2016	Grant	D24/214	2010/0171376 A1 *	7/2010	Huang	H02K 33/18
D777,338 S *	1/2017	Coakley	D24/206					310/25
D785,809 S *	5/2017	Copeland	A61F 7/007	2011/0169349 A1 *	7/2011	Huang	H04R 13/00
				D24/206					310/28
D806,887 S *	1/2018	Yang	D24/206	2015/0005681 A1 *	1/2015	Gimelli	A61N 1/328
D806,888 S *	1/2018	Cheng	D24/206					601/21
					2019/0167469 A1 *	6/2019	Sivan		

* cited by examiner

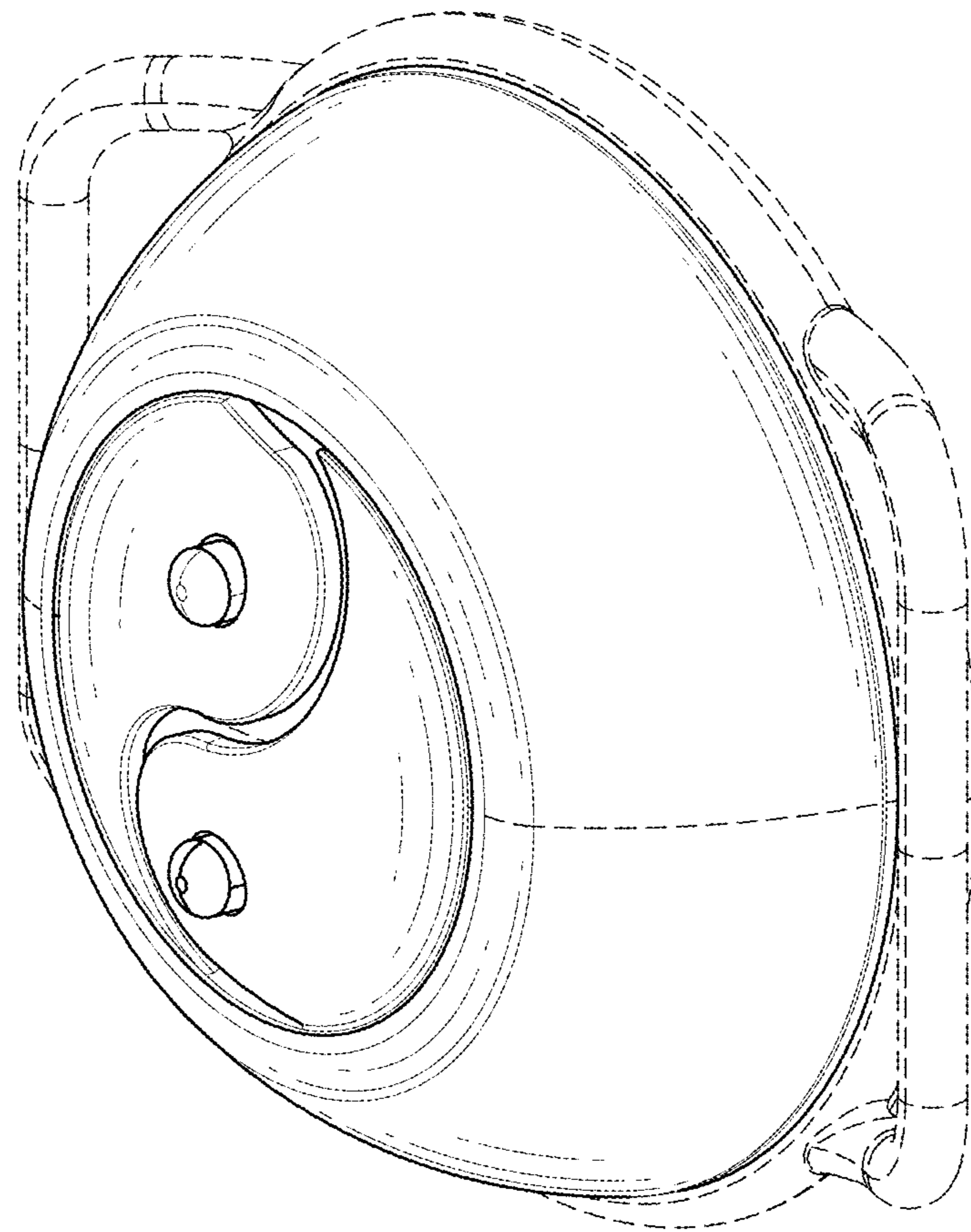


FIG. 1

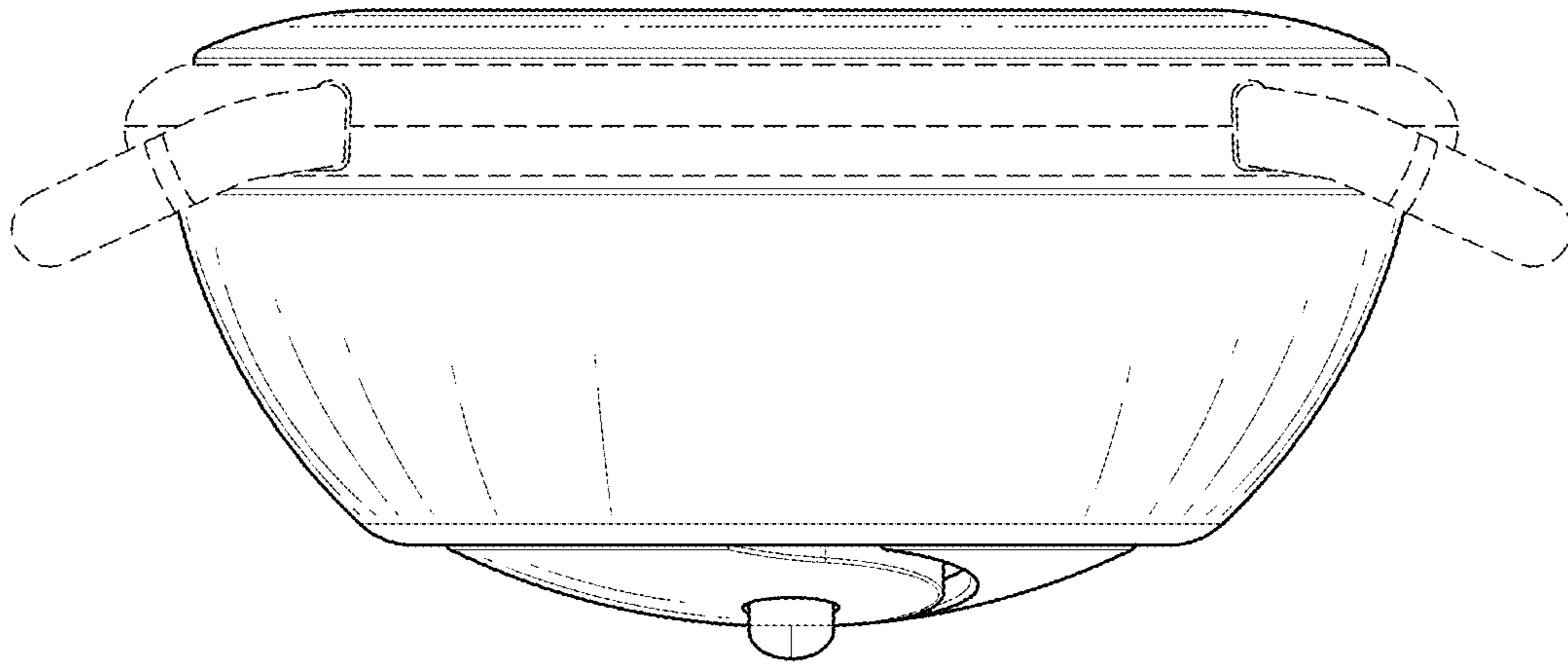


FIG. 2

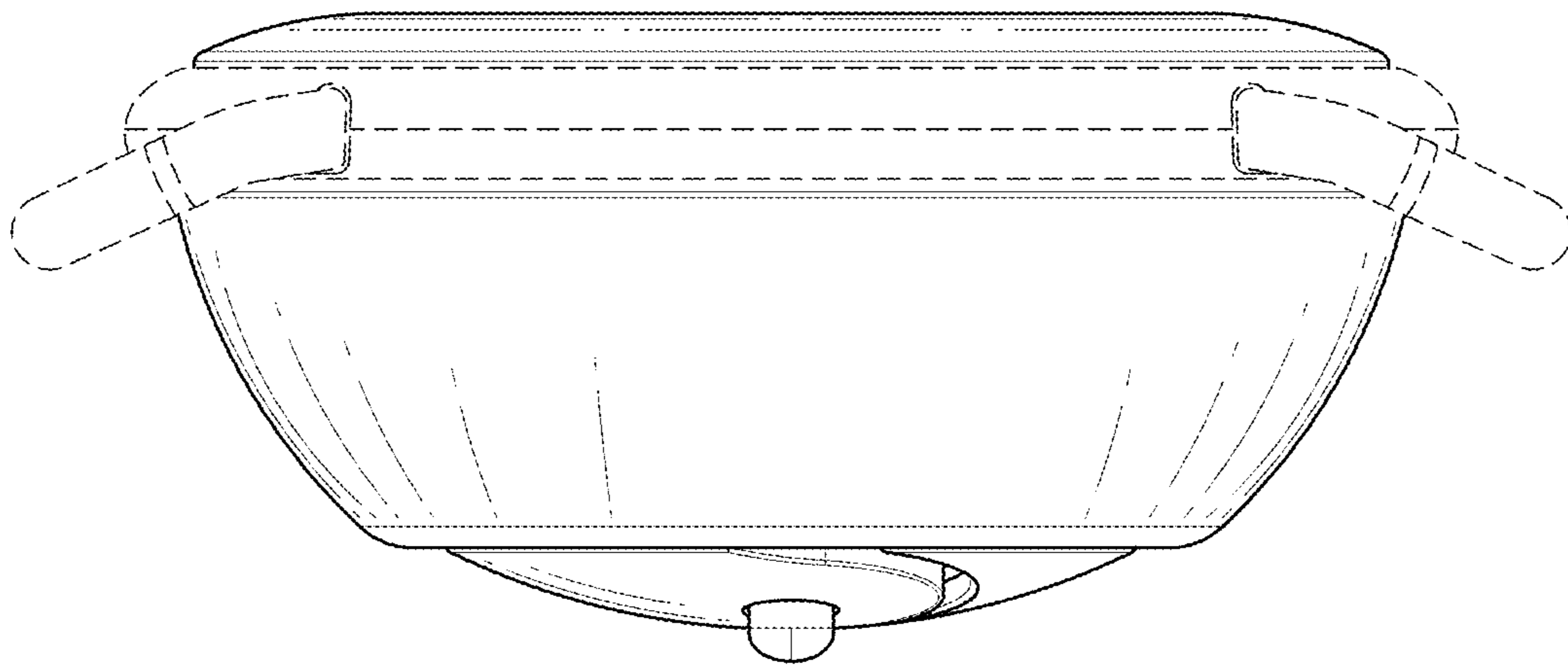


FIG. 3

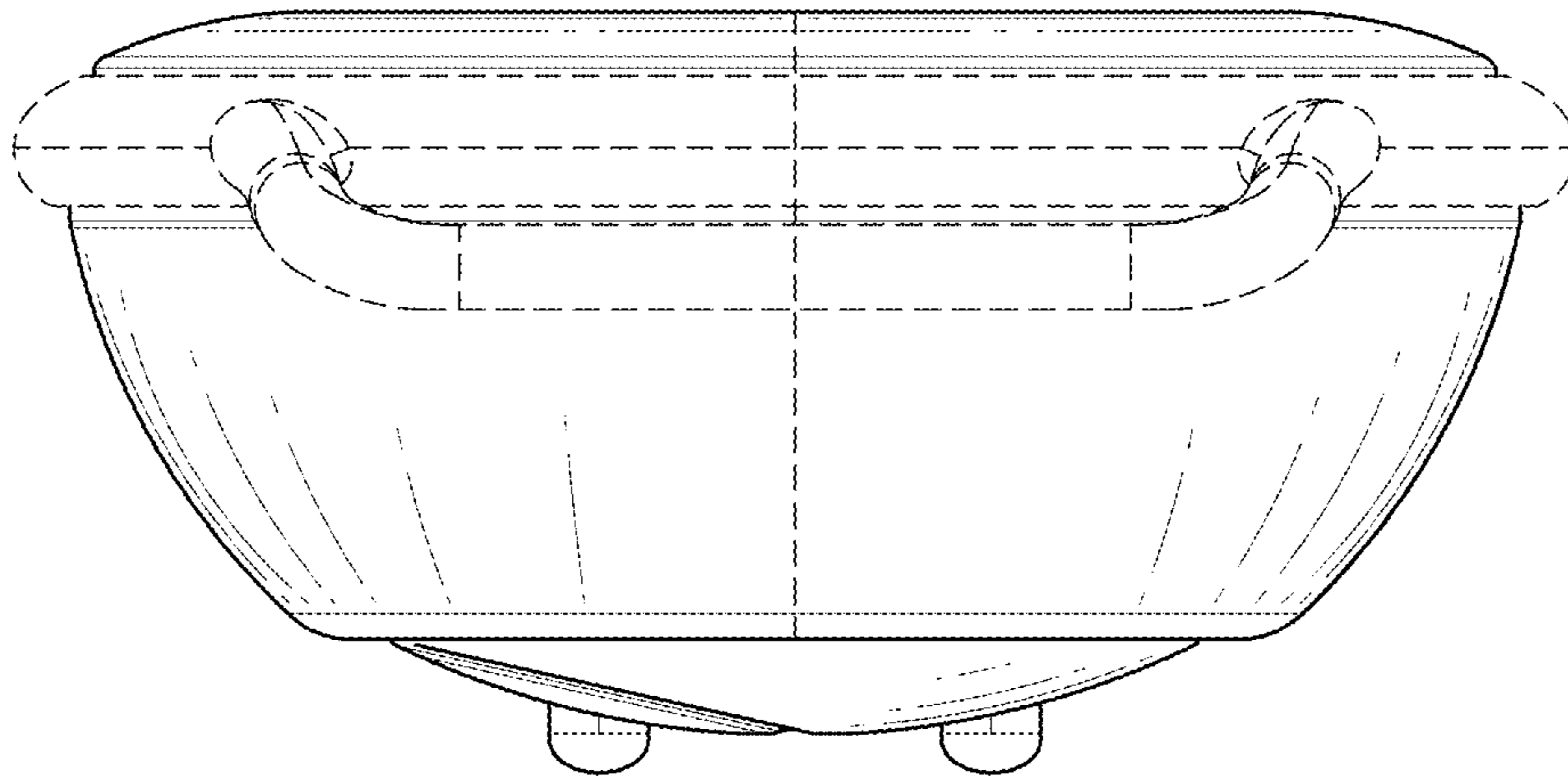


FIG. 4

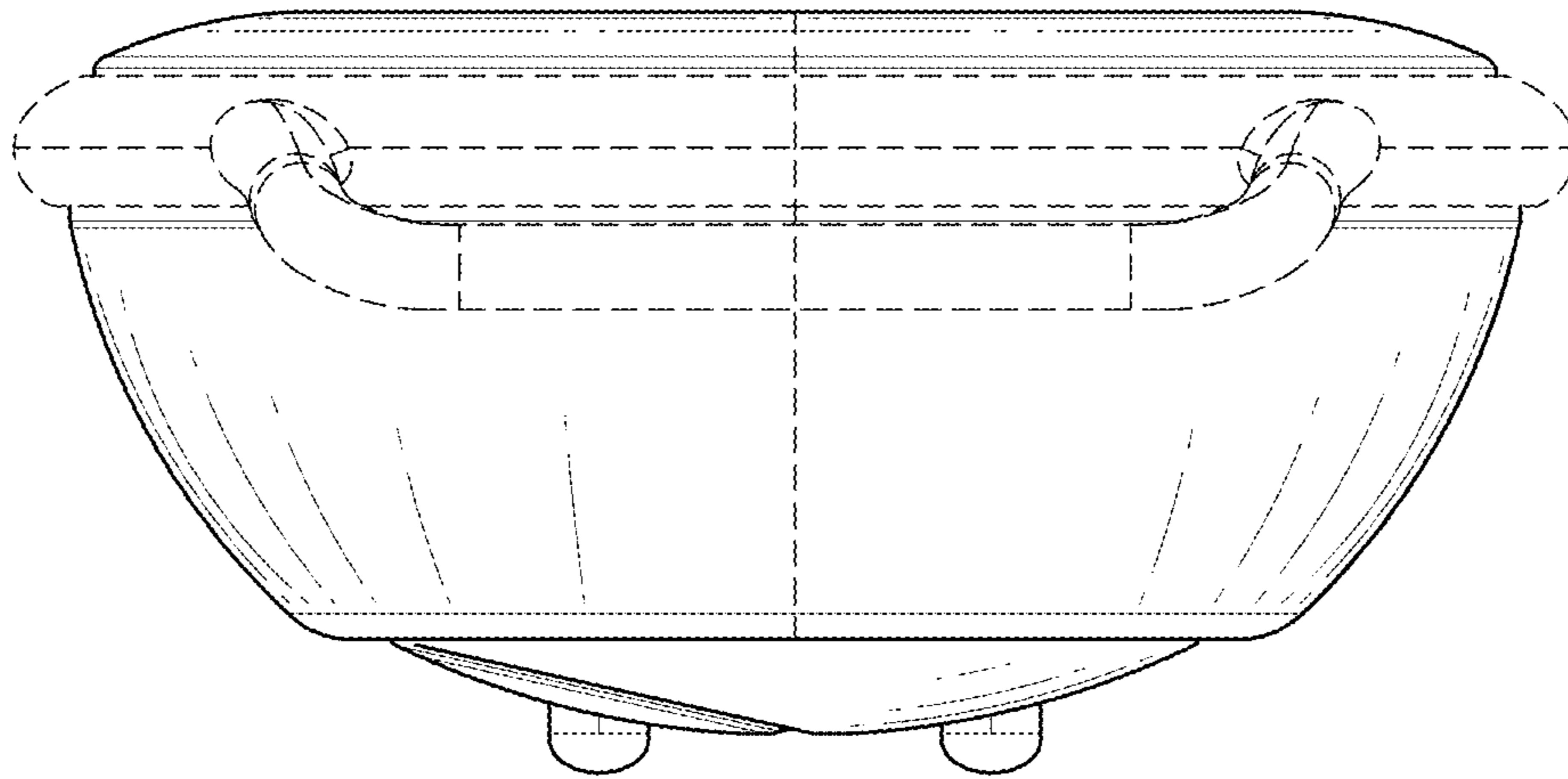


FIG. 5

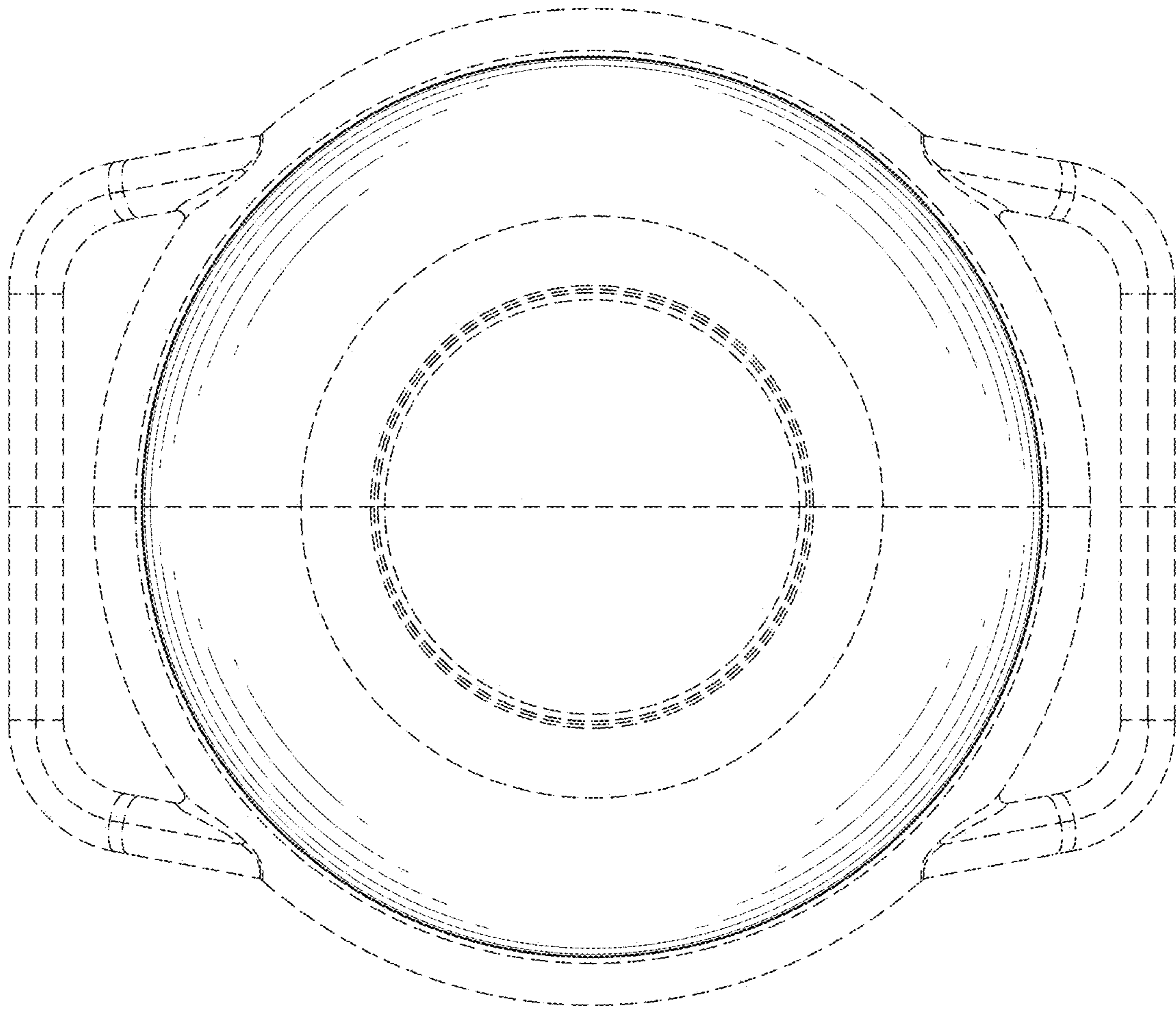


FIG. 6

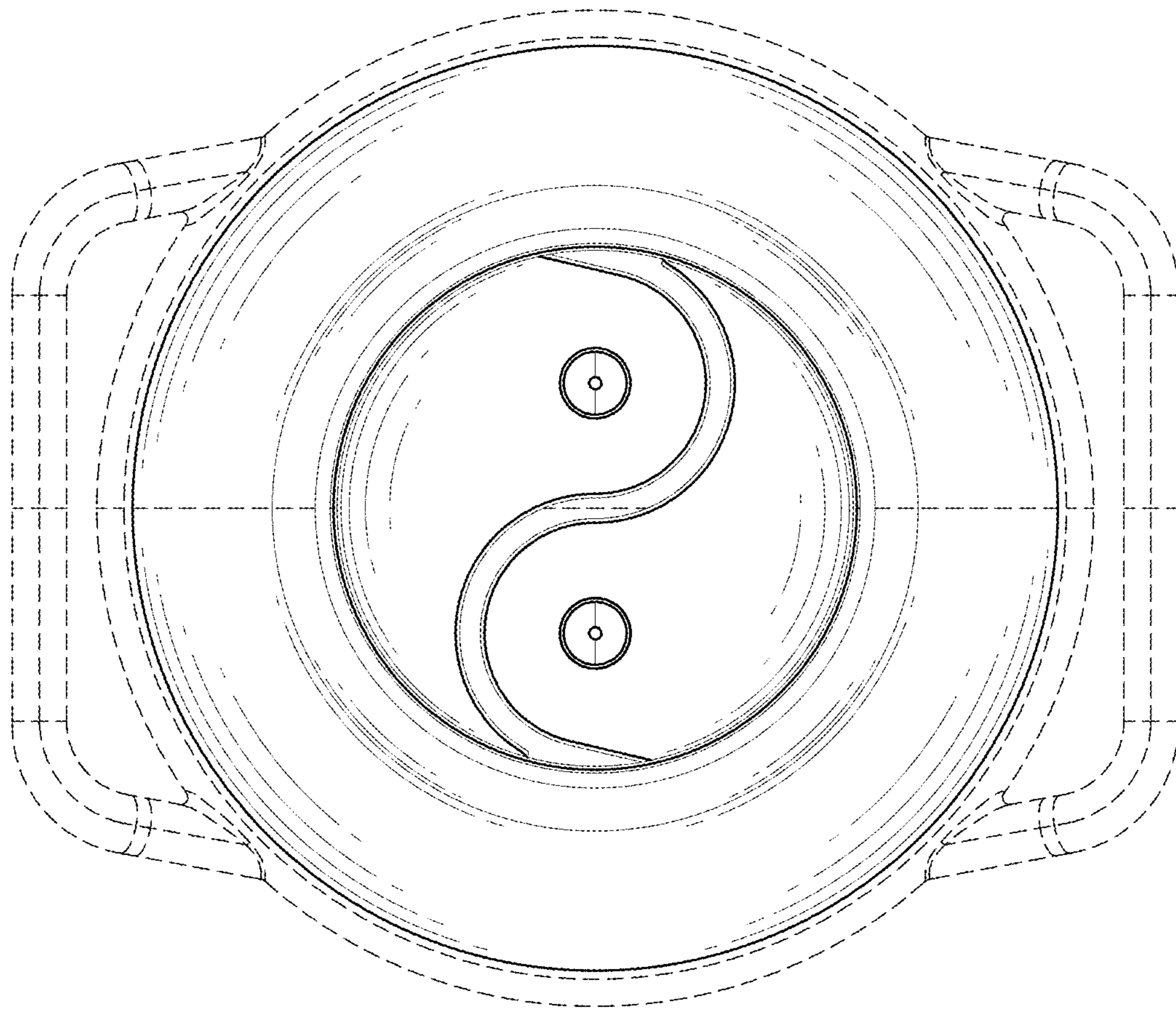


FIG. 7