



US00D913510S

(12) **United States Design Patent**
Larsen et al.

(10) **Patent No.: US D913,510 S**

(45) **Date of Patent: ** Mar. 16, 2021**

(54) **SPA SHELL**

(71) Applicant: **WATKINS MANUFACTURING CORPORATION**, Vista, CA (US)

(72) Inventors: **Christopher Carl Larsen**, Vista, CA (US); **Sage Nathan Baker**, Cardiff, CA (US); **Junko Funaki**, San Diego, CA (US); **Nadya Arnaout**, Laguna Beach, CA (US)

(73) Assignee: **WATKINS MANUFACTURING CORPORATION**

(**) Term: **15 Years**

(21) Appl. No.: **29/716,470**

(22) Filed: **Dec. 10, 2019**

(51) **LOC (13) Cl.** **23-02**

(52) **U.S. Cl.**
USPC **D24/204**

(58) **Field of Classification Search**
USPC D24/201–205, 213; D23/276–278, D23/280.1–280.3; D25/2
CPC A61H 33/6005; A61H 33/6021; A61H 33/6089; A61H 33/6094; A61H 2035/004; A61H 35/006; A47K 3/022; A47K 3/062
See application file for complete search history.

(56) **References Cited**

U.S. PATENT DOCUMENTS

- 5,754,989 A * 5/1998 Ludlow A61H 33/6005 4/541.1
- D436,178 S * 1/2001 Larsen D24/204
- D634,019 S * 3/2011 Larsen D24/204
- D634,021 S * 3/2011 Larsen D24/204
- D723,706 S * 3/2015 Larsen D24/204
- D759,832 S * 6/2016 Larsen D24/204
- D781,432 S * 3/2017 Larsen D24/204

- D810,953 S * 2/2018 Larsen D24/204
- D851,267 S * 6/2019 Larsen D24/204
- D859,676 S * 9/2019 Larsen D24/204
- D859,677 S * 9/2019 Larsen D24/204
- D865,980 S * 11/2019 Larsen D24/204

* cited by examiner

Primary Examiner — Anhdao Doan

(74) *Attorney, Agent, or Firm* — Kirk W. Rudolph

(57) **CLAIM**

The ornamental design for a spa shell, as shown and described.

DESCRIPTION

FIG. 1 is a perspective view of a spa shell showing our new design;

FIG. 2 is another perspective view thereof;

FIG. 3 is a top plan view thereof;

FIG. 4 is a cross-sectional view thereof, taken in the direction of line 4-4 of FIG. 3;

FIG. 5 is a cross-sectional view thereof, taken in the direction of line 5-5 of FIG. 3;

FIG. 6 is a cross-sectional view thereof, taken in the direction of line 6-6 of FIG. 3;

FIG. 7 is a cross-sectional view thereof, taken in the direction of line 7-7 of FIG. 3;

FIG. 8 is a cross-sectional view thereof, taken in the direction of line 8-8 of FIG. 3;

FIG. 9 is a cross-sectional view thereof, taken in the direction of line 9-9 of FIG. 3.

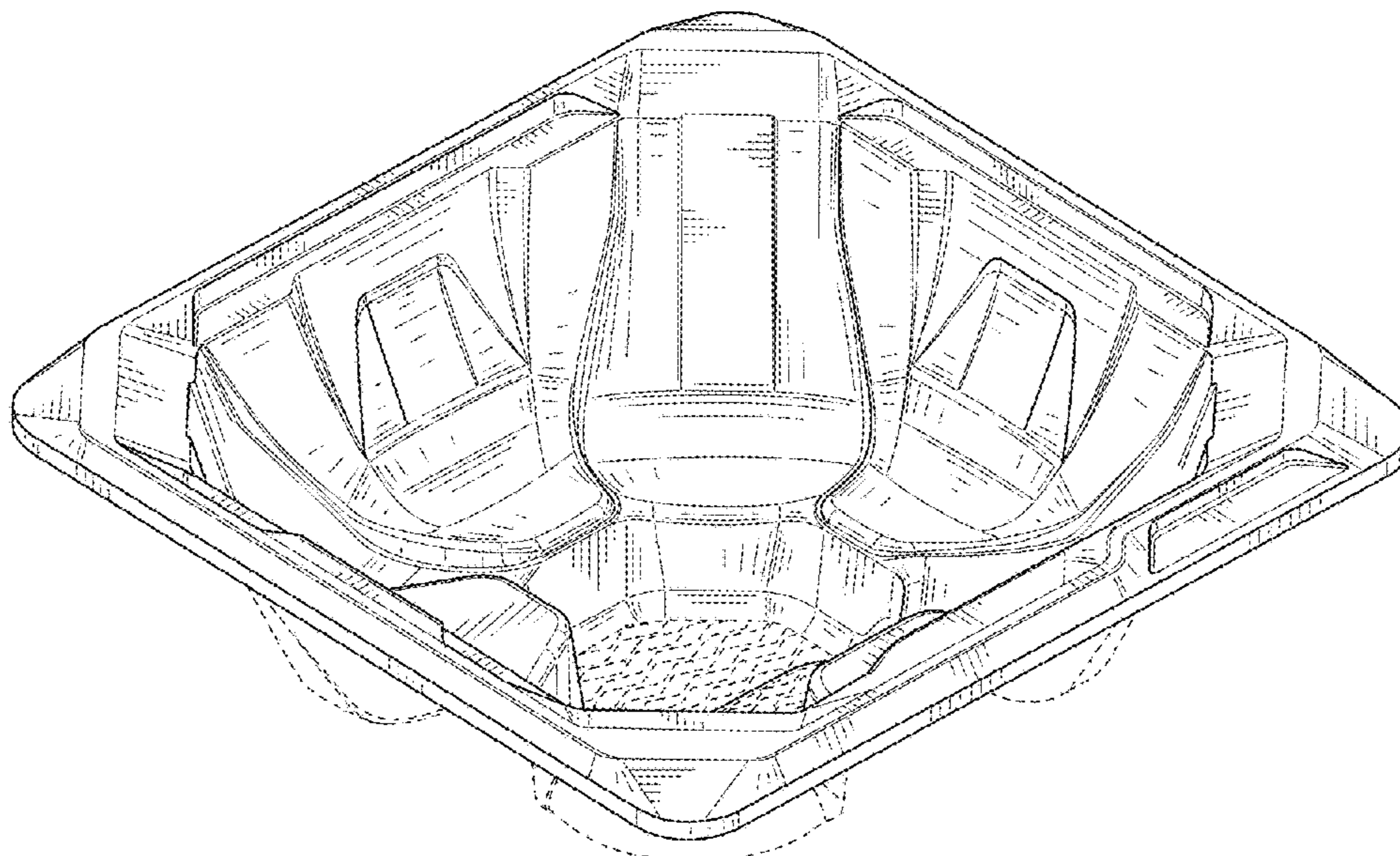
FIG. 10 is a cross-sectional view thereof, taken in the direction of line 10-10 of FIG. 3; and,

FIG. 11 is a cross-sectional view thereof, taken in the direction of line 11-11 of FIG. 3.

The broken lines show portions of the spa shell that form no part of the claimed design.

The broken lines form no part of the claimed design.

1 Claim, 7 Drawing Sheets



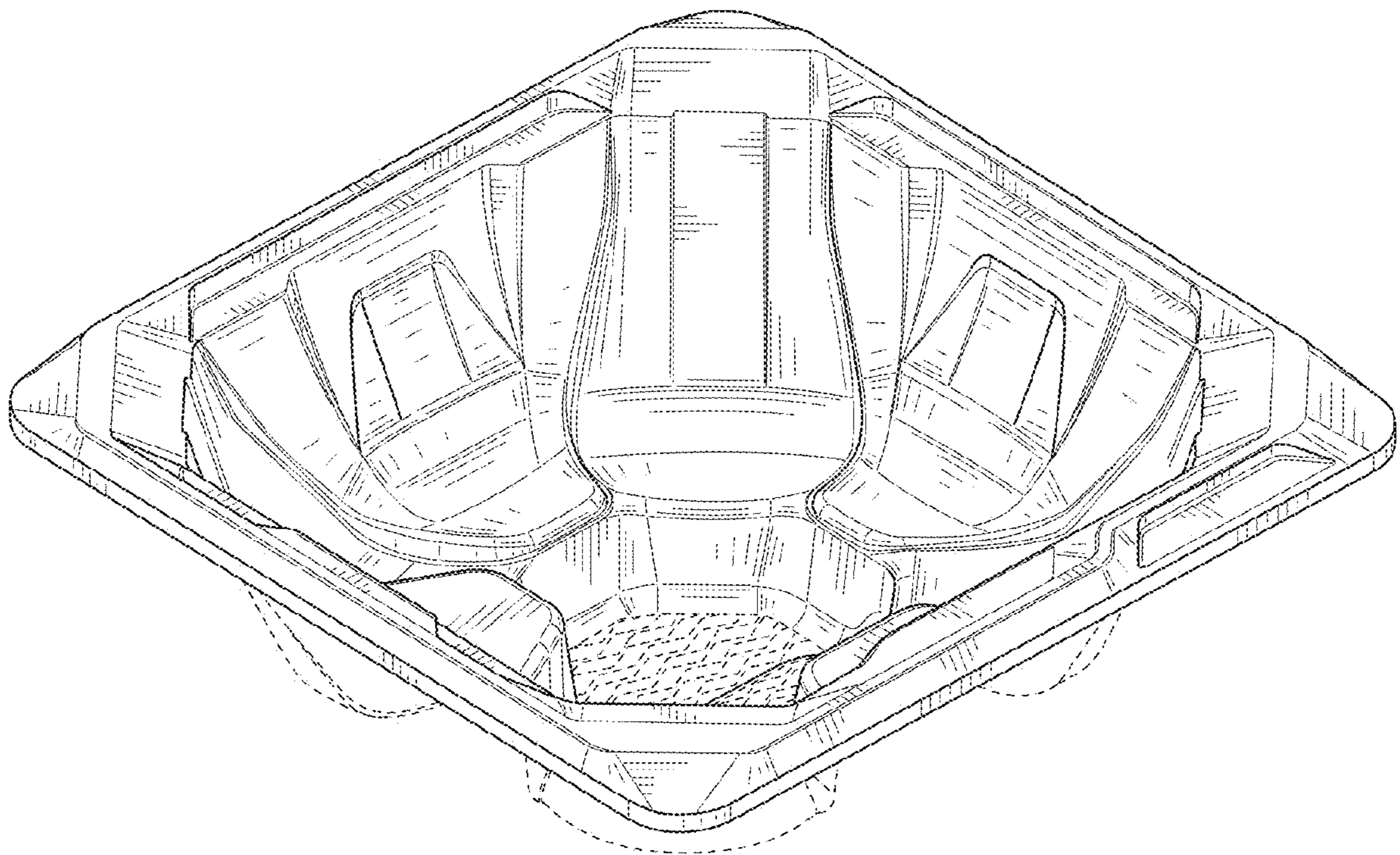


FIG. 1

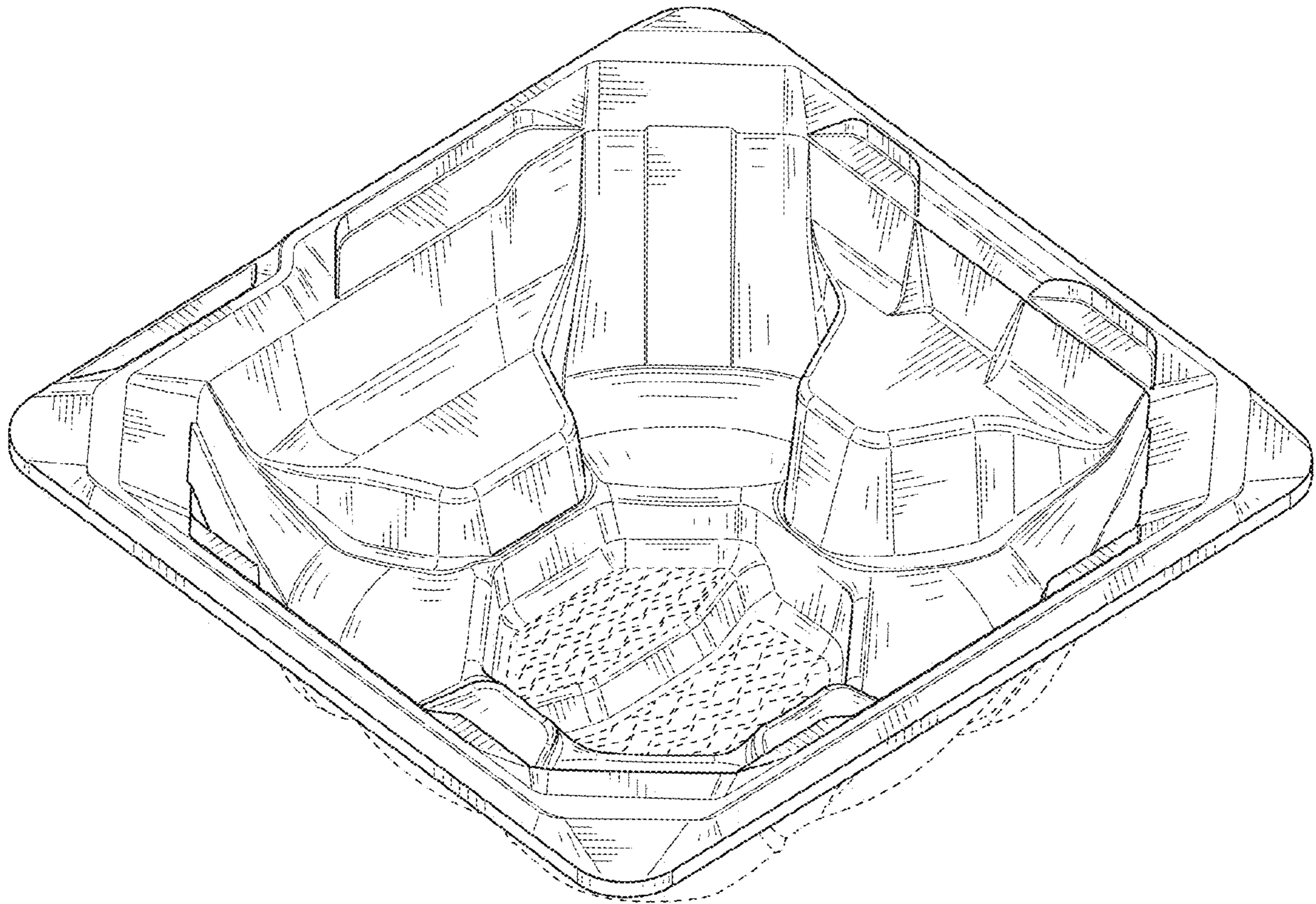


FIG. 2

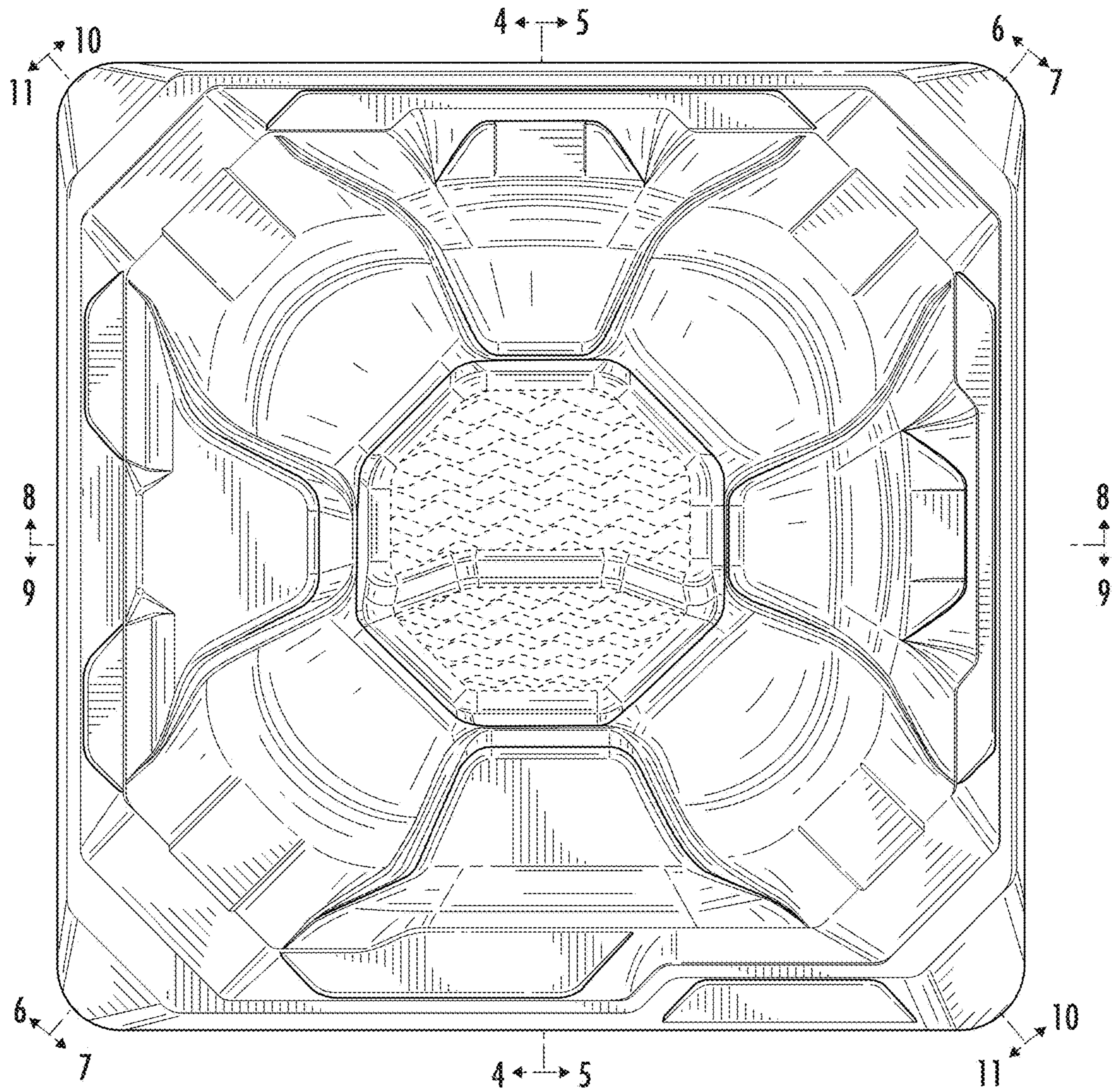


FIG. 3

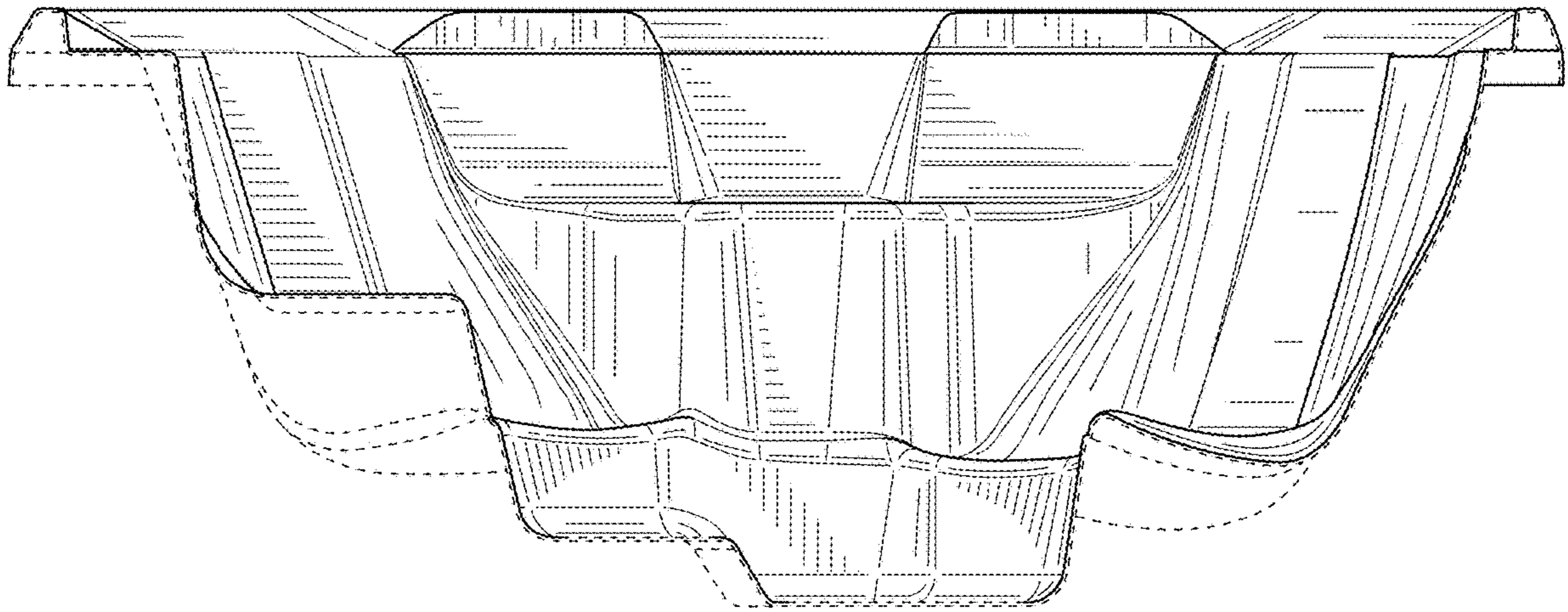


FIG. 4

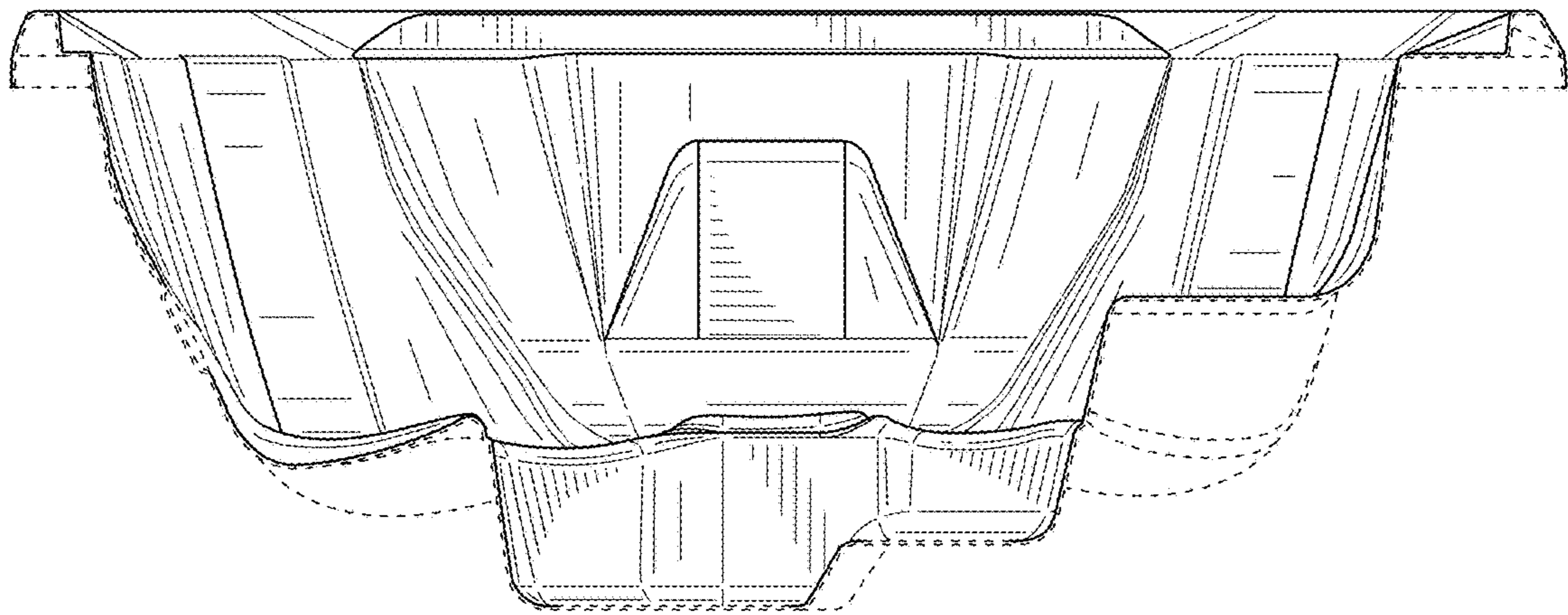


FIG. 5

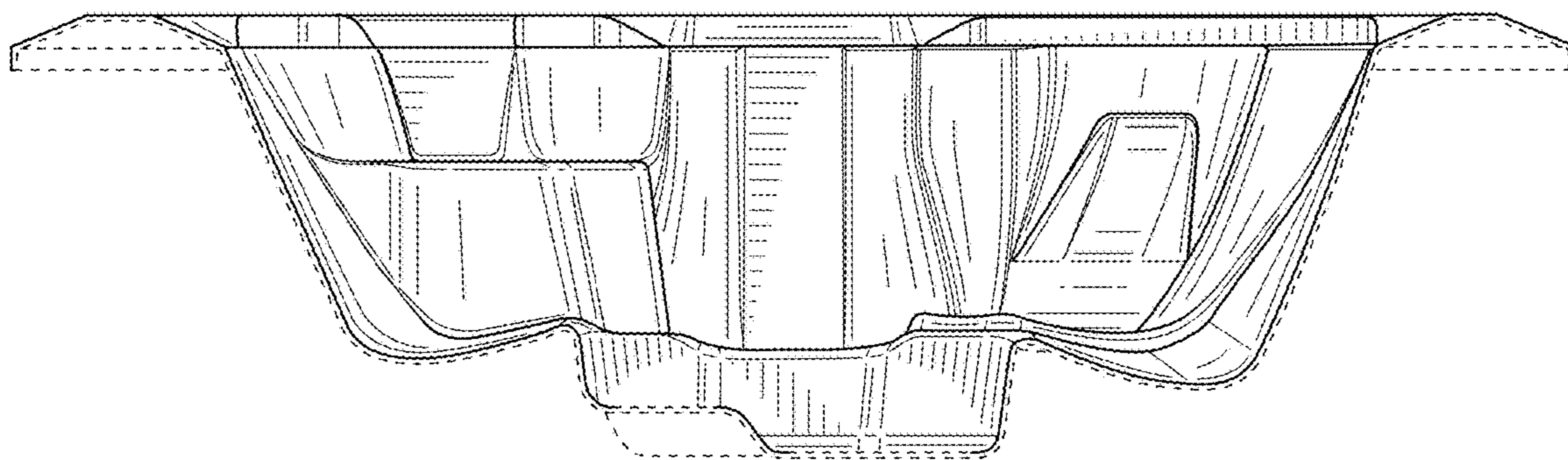


FIG. 6

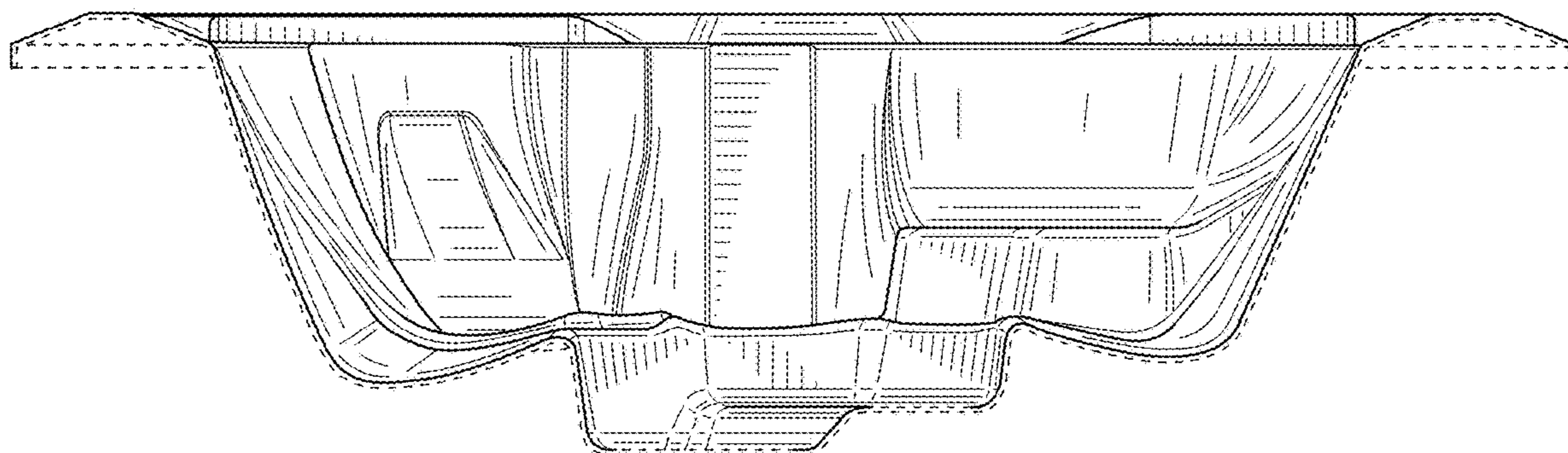


FIG. 7

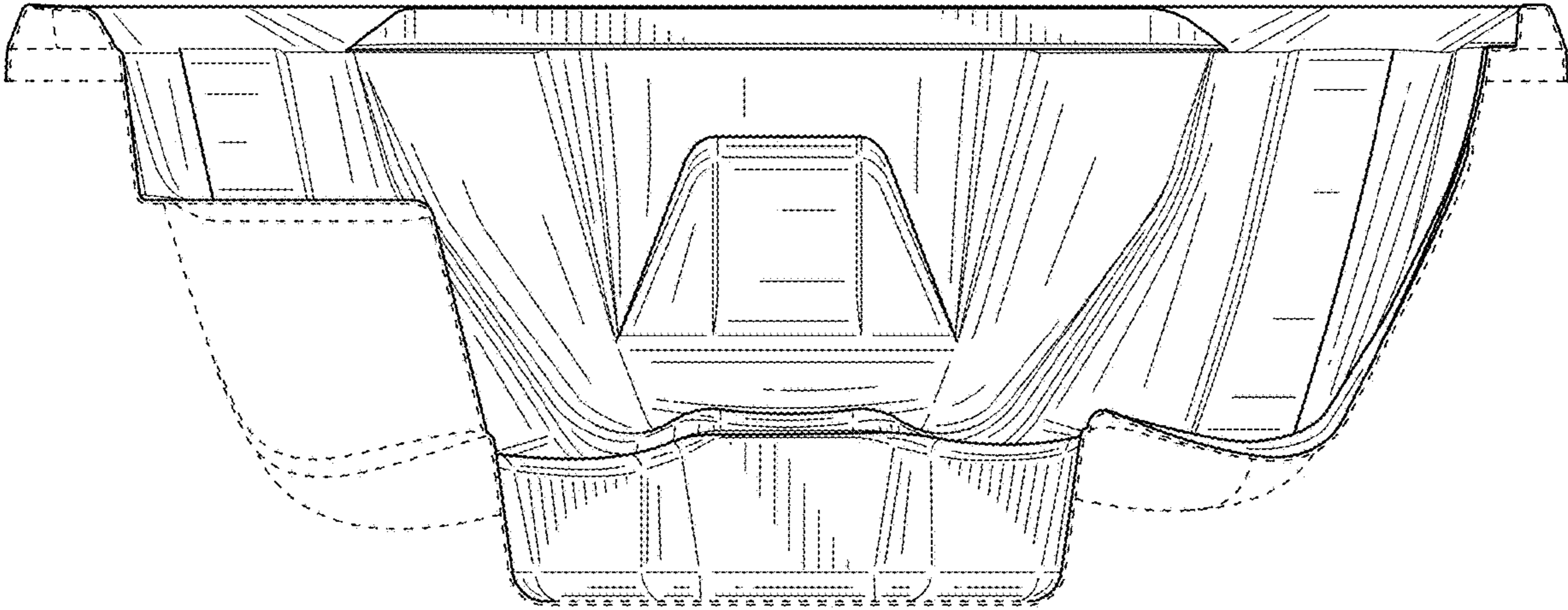


FIG. 8

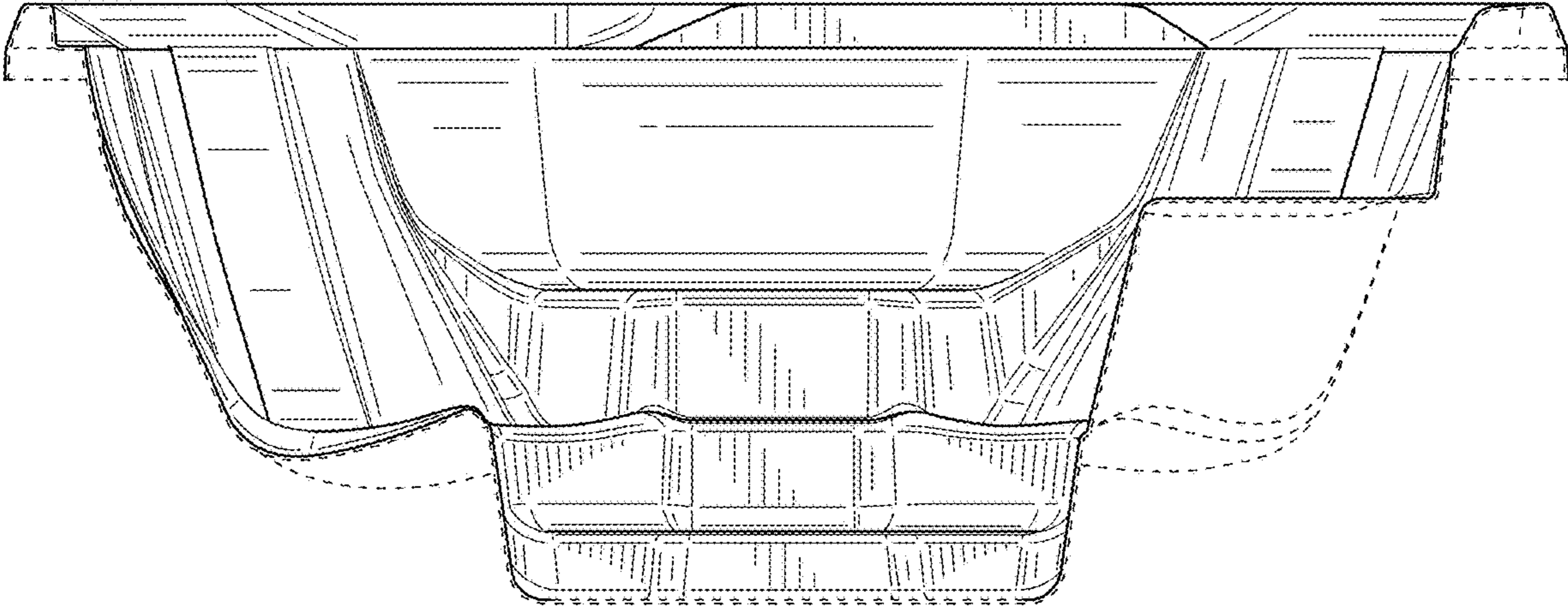


FIG. 9

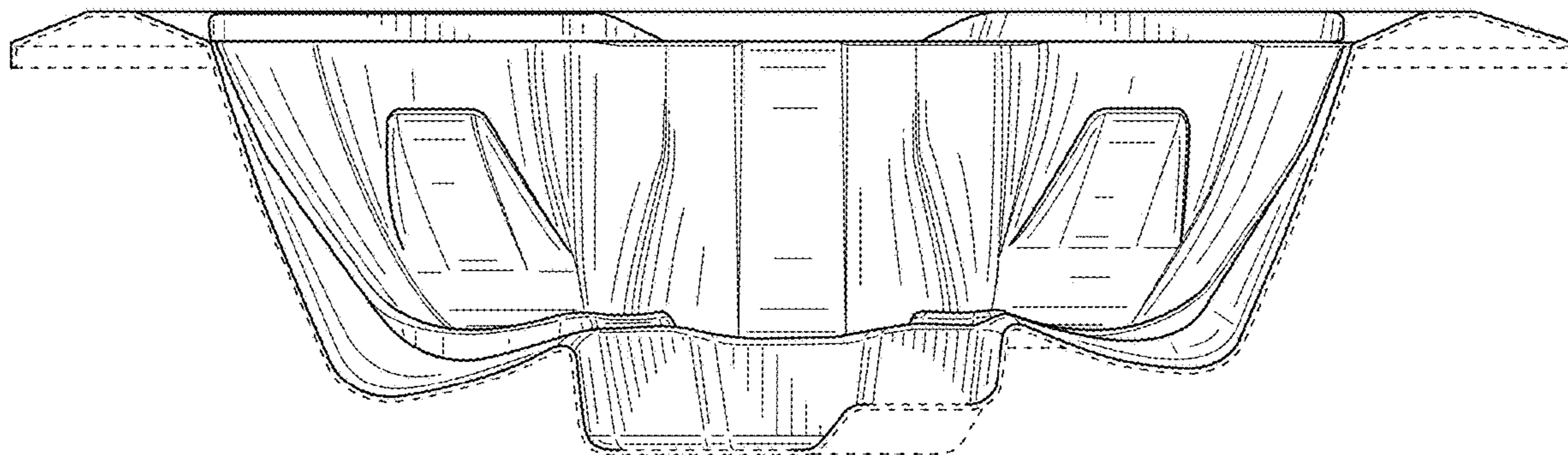


FIG. 10

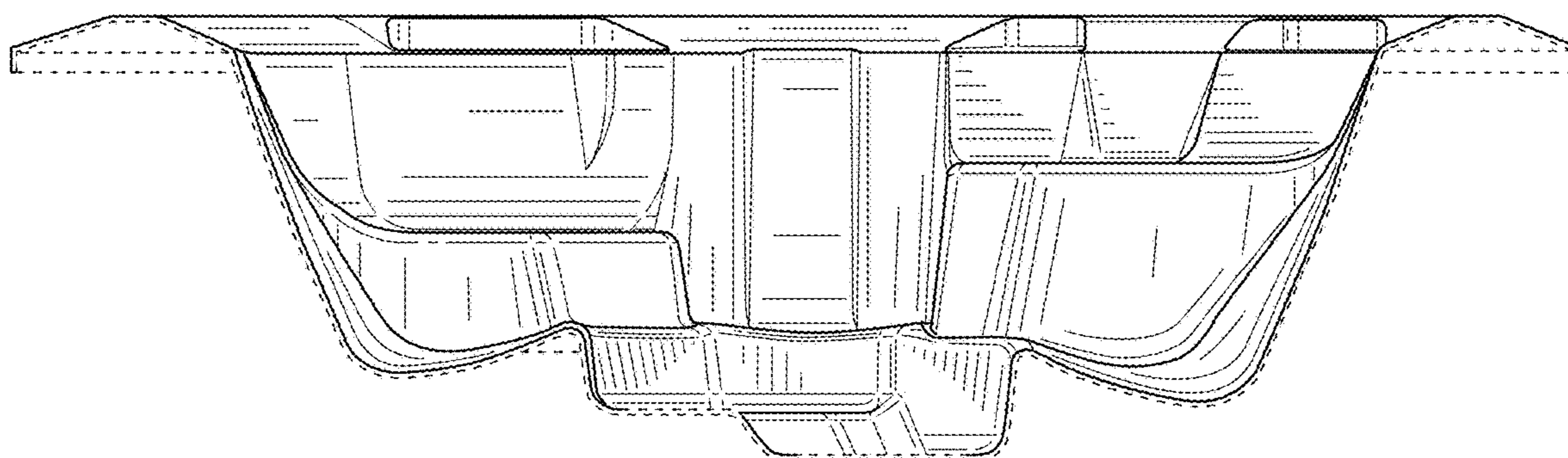


FIG. 11