



US00D913509S

(12) **United States Design Patent** (10) **Patent No.:** **US D913,509 S**  
**Young et al.** (45) **Date of Patent:** **\*\* Mar. 16, 2021**

(54) **APPLICATOR DEVICE FOR DISPENSING CARBON DIOXIDE ENHANCED TOPICAL SUBSTANCES**

*Primary Examiner* — Wan Laymon

(74) *Attorney, Agent, or Firm* — J.A. Lindeman & Co., PLLC

(71) Applicant: **CRYOCONCEPTS LP**, Bethlehem, PA (US)

(57) **CLAIM**

(72) Inventors: **Lincoln C. Young**, Bethlehem, PA (US); **R. Sam Niedbala**, Bethlehem, PA (US); **Philip Michael Formica**, Bethlehem, PA (US); **Amanda Devine**, Bethlehem, PA (US)

The ornamental design for an applicator device for dispensing carbon dioxide enhanced topical substances, as shown and described.

(73) Assignee: **CRYOCONCEPTS LP**, Bethlehem, PA (US)

**DESCRIPTION**

(\*\*) Term: **15 Years**

FIG. 1 is a right front perspective view of an applicator device for dispensing carbon dioxide enhanced topical substances in accordance with our new design.

(21) Appl. No.: **29/726,909**

FIG. 2 is a front view of the applicator device for dispensing carbon dioxide enhanced topical substances of FIG. 1.

(22) Filed: **Mar. 6, 2020**

FIG. 3 is a rear view of the applicator device for dispensing carbon dioxide enhanced topical substances of FIG. 1.

(51) **LOC (13) Cl.** ..... **28-03**

FIG. 4 is a left side view of the applicator device for dispensing carbon dioxide enhanced topical substances of FIG. 1.

(52) **U.S. Cl.**

USPC ..... **D24/200**; D24/209

FIG. 5 is a right side view of the applicator device for dispensing carbon dioxide enhanced topical substances of FIG. 1.

(58) **Field of Classification Search**

USPC ..... D24/200, 206, 209–210, 214, 185–186, D24/107; D28/9, 44.1

FIG. 6 is a top view of the applicator device for dispensing carbon dioxide enhanced topical substances of FIG. 1; and,

CPC ..... A61N 5/0616; A61N 5/06; A61N 5/0613; A61N 5/062; A61N 5/0625; A61N 2005/0643; A61N 2005/0644; A61N 2005/0651; A61N 2005/0652; A61F 13/122; A61B 2018/00452; A61B 2018/1807; A61B 18/14

FIG. 7 is a bottom view of the applicator device for dispensing carbon dioxide enhanced topical substances of FIG. 1.

See application file for complete search history.

The broken lines depict portions of the applicator device for dispensing carbon dioxide enhanced topical substances that form no part of the claimed design. The shade lines shown through the views are to indicate surface contour and are not intended to be surface ornamentation.

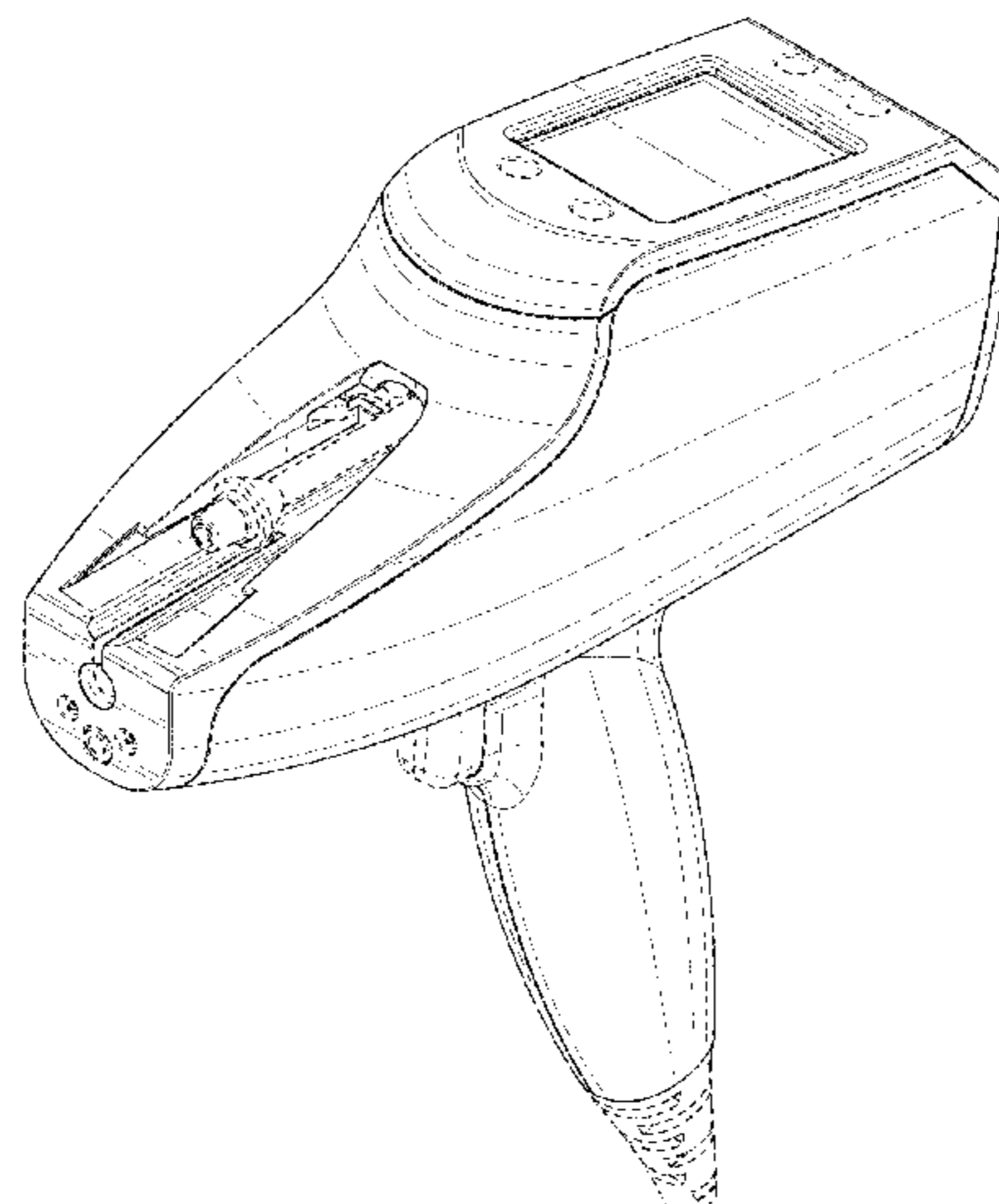
(56) **References Cited**

U.S. PATENT DOCUMENTS

D329,291 S \* 9/1992 Wollman ..... D24/200  
7,189,230 B2 \* 3/2007 Knowlton ..... A61B 18/14  
606/33  
7,229,436 B2 \* 6/2007 Stern ..... A61B 18/14  
606/41  
8,287,579 B2 \* 10/2012 Nimitz ..... A61B 18/14  
607/104

(Continued)

**1 Claim, 7 Drawing Sheets**



(56)

**References Cited**

U.S. PATENT DOCUMENTS

D759,831	S *	6/2016	Levi	.....	D24/200
9,566,088	B2 *	2/2017	Ignon	.....	A61B 50/20
10,376,693	B2 *	8/2019	Yamazaki	.....	A61B 18/14
D862,717	S *	10/2019	Khubani	.....	D24/200
2013/0158547	A1 *	6/2013	David	.....	A61N 5/0616
					606/41
2018/0036553	A1 *	2/2018	Shiibashi	.....	A61N 5/0617
2020/0001108	A1 *	1/2020	Koifman	.....	A61N 5/0616

\* cited by examiner

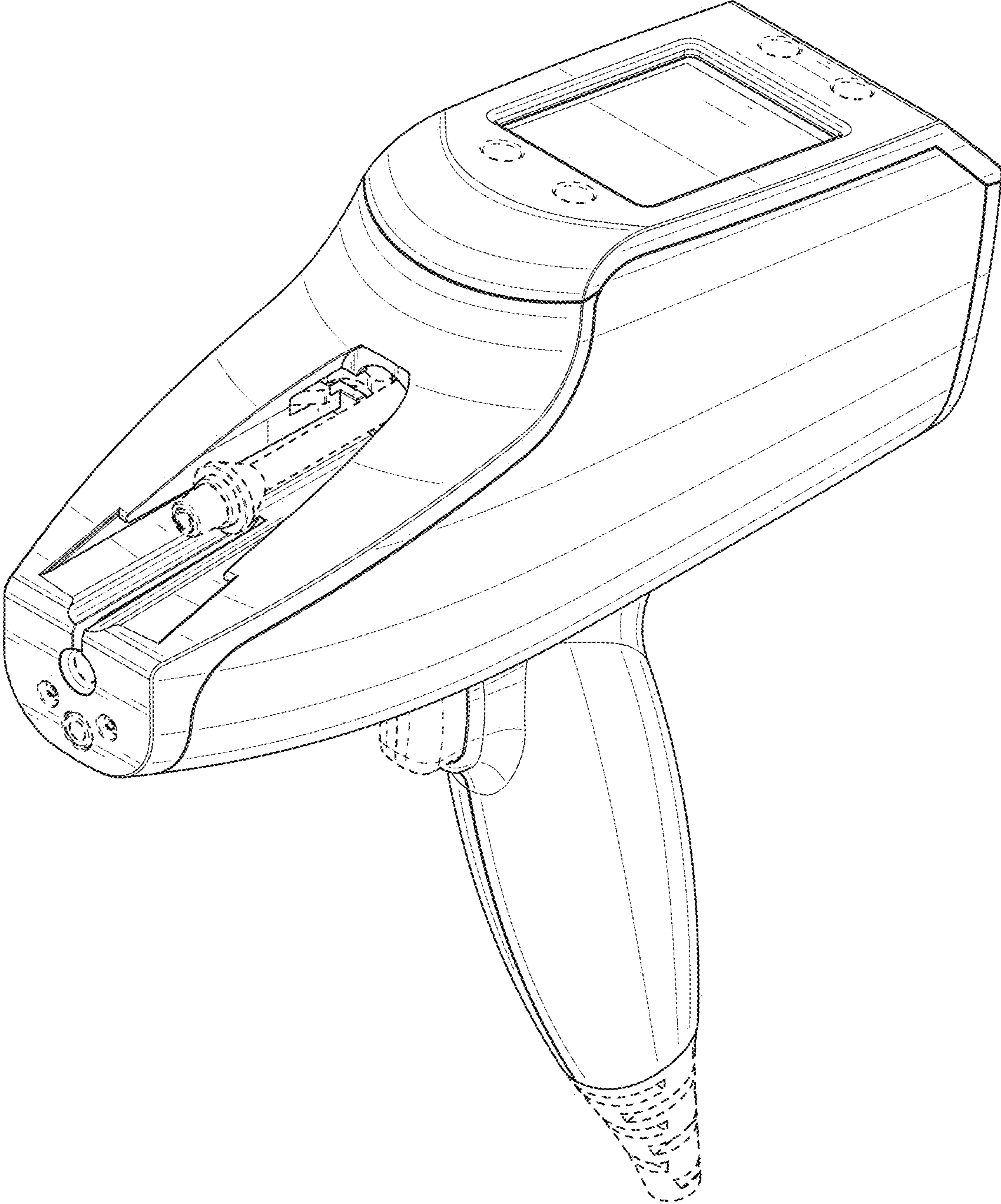


FIG. 1

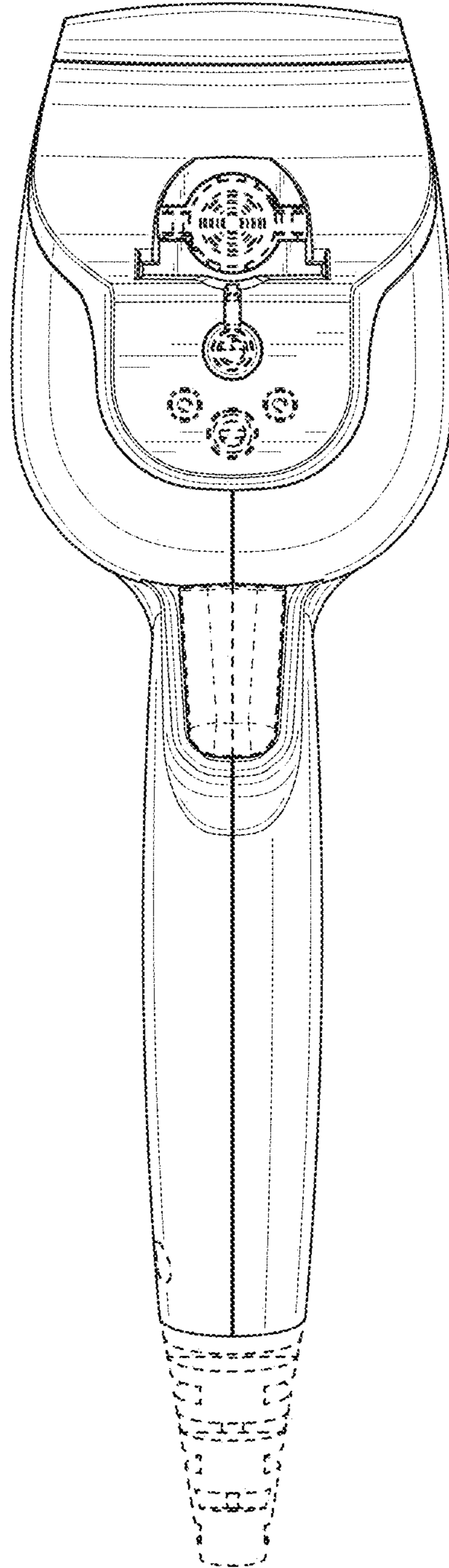


FIG. 2

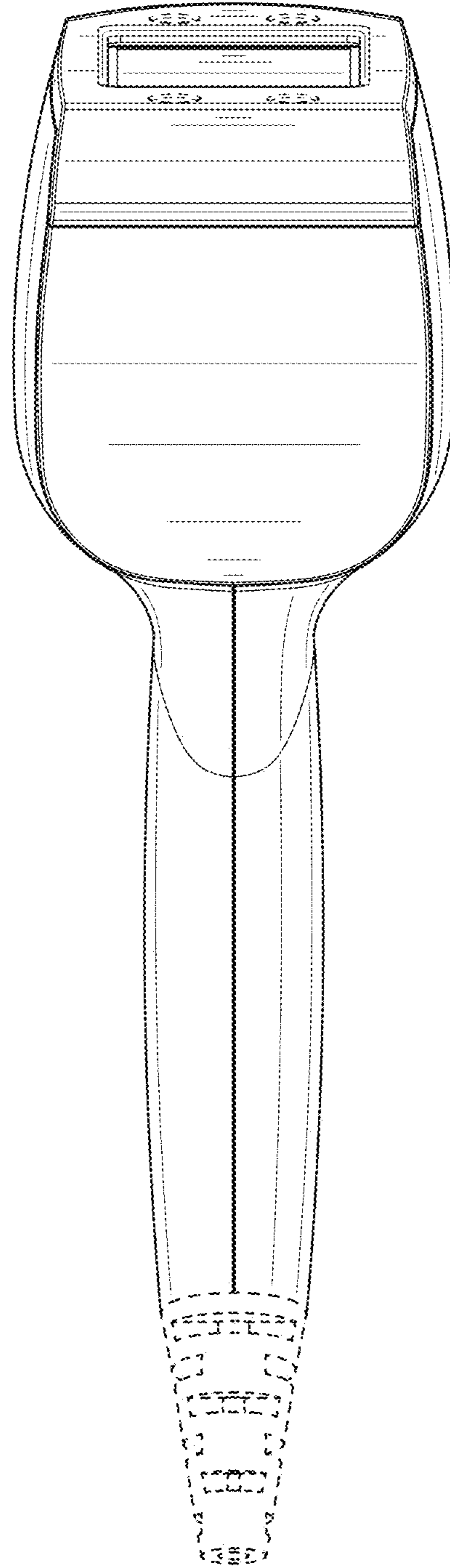


FIG. 3



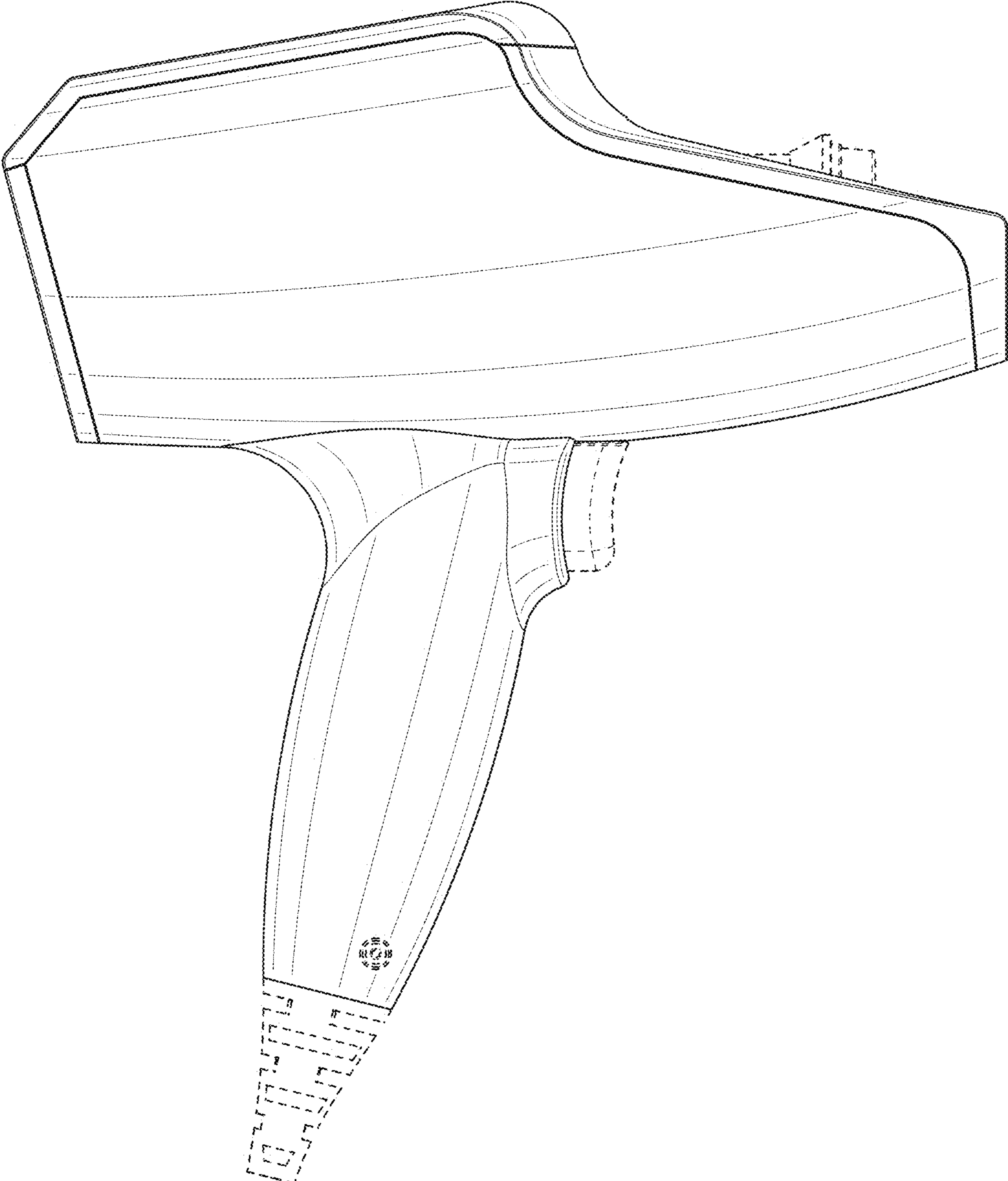


FIG. 4

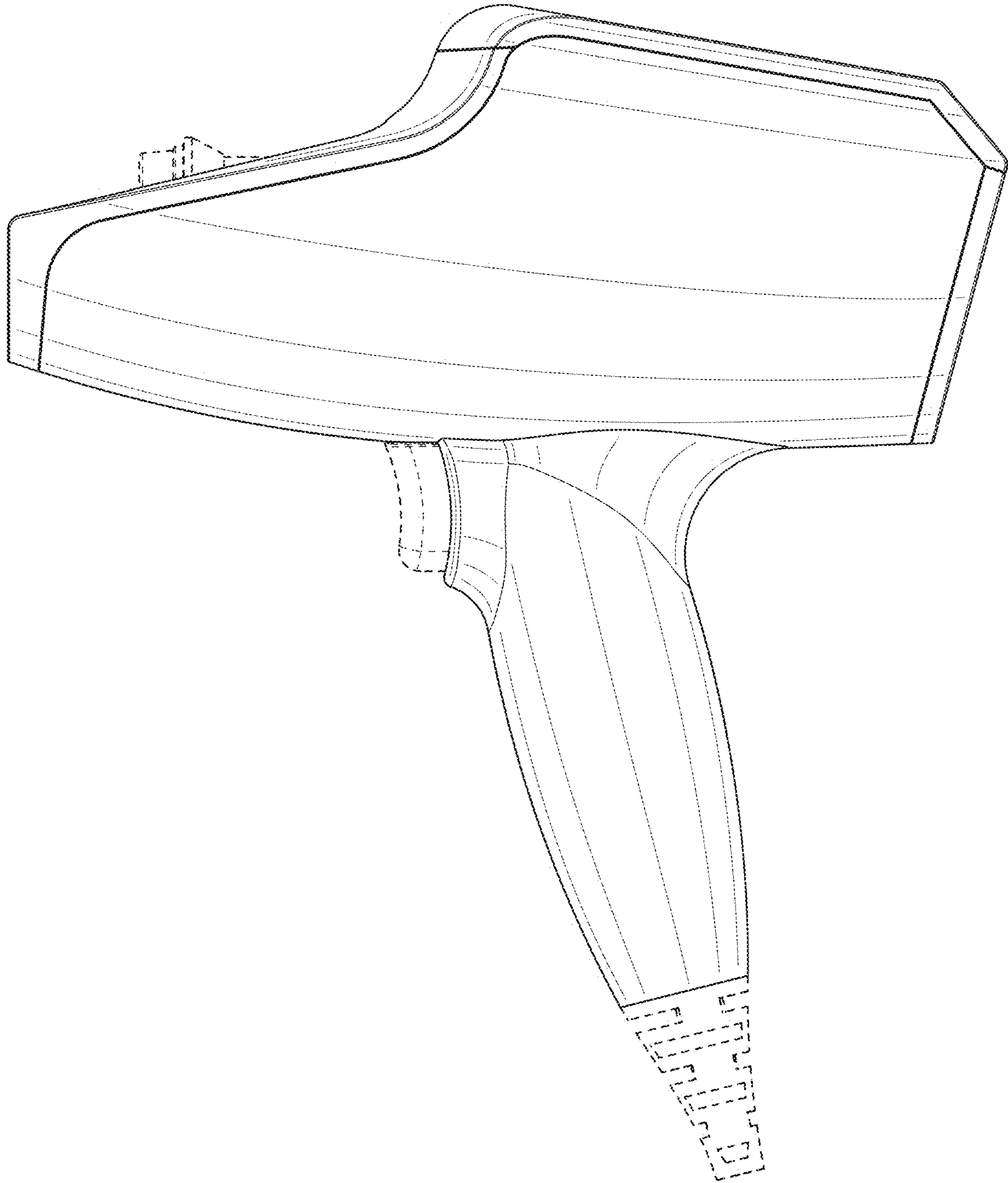


FIG. 5

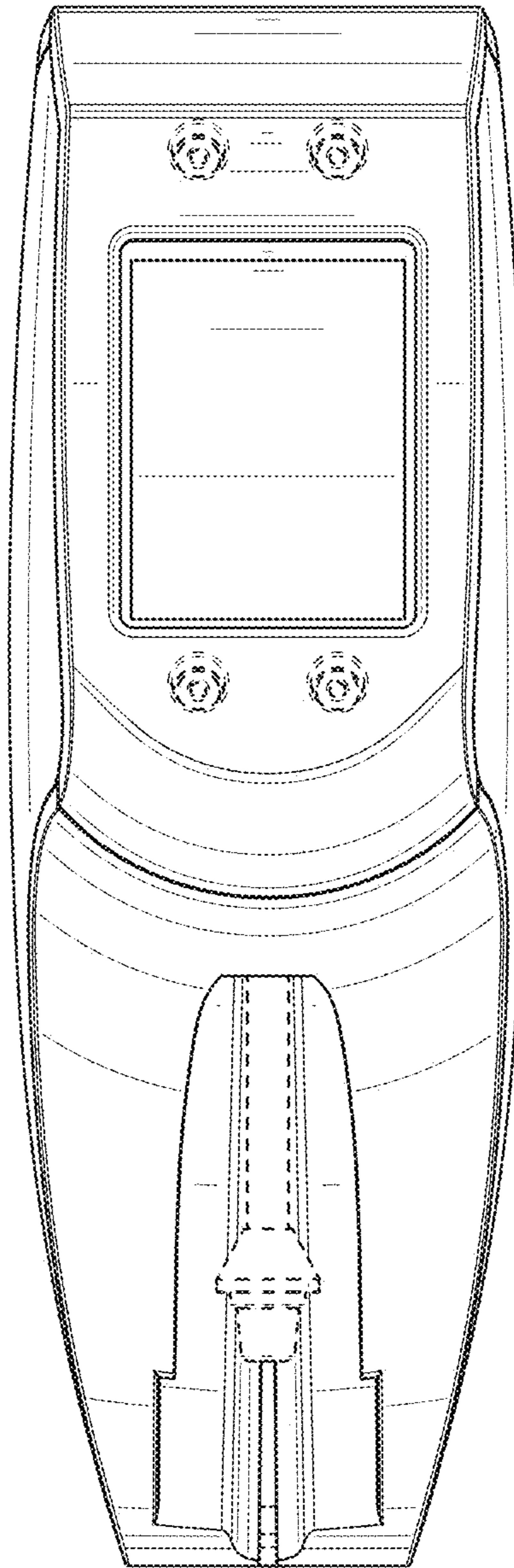


FIG. 6



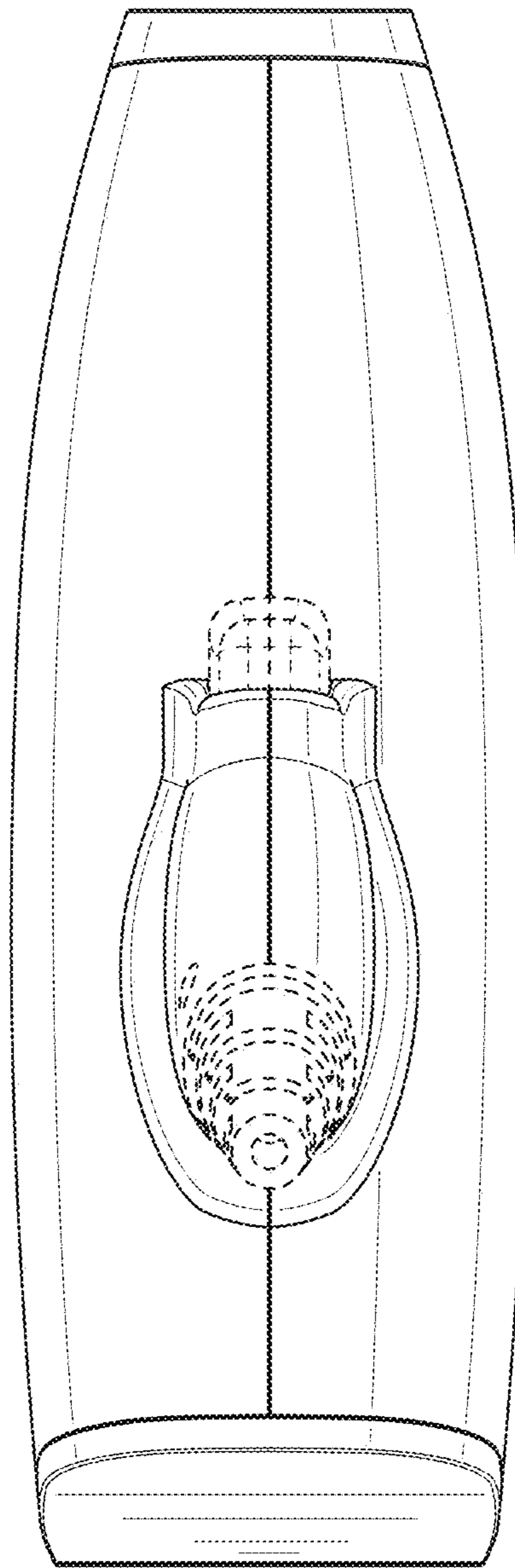


FIG. 7