



US00D913508S

(12) **United States Design Patent** (10) **Patent No.:** **US D913,508 S**  
**Young et al.** (45) **Date of Patent:** **\*\* Mar. 16, 2021**

(54) **DEVICE FOR DISPENSING CARBON DIOXIDE ENHANCED TOPICAL SUBSTANCES**

(71) Applicant: **CRYOCONCEPTS LP**, Bethlehem, PA (US)

(72) Inventors: **Lincoln C. Young**, Bethlehem, PA (US); **R. Sam Niedbala**, Bethlehem, PA (US); **Philip Michael Formica**, Bethlehem, PA (US); **Amanda Devine**, Bethlehem, PA (US)

(73) Assignee: **CRYOCONCEPTS LP**, Bethlehem, PA (US)

(\*\*) Term: **15 Years**

(21) Appl. No.: **29/726,908**

(22) Filed: **Mar. 6, 2020**

(51) **LOC (13) Cl.** ..... **28-03**

(52) **U.S. Cl.**  
USPC ..... **D24/200**

(58) **Field of Classification Search**  
USPC ..... D24/107-108, 184-185, 200, 207, D24/209-210, 176, 111, 231  
CPC ..... A61N 5/0616; A61N 5/06; A61N 5/062; A61N 2005/0644

See application file for complete search history.

(56) **References Cited**

U.S. PATENT DOCUMENTS

6,902,563	B2 *	6/2005	Wilkins	.....	A61N 5/0616
					128/898
D753,838	S *	4/2016	Matsushita	.....	D24/200
10,478,633	B2 *	11/2019	Schwarz	.....	A61N 5/0616
10,667,985	B2 *	6/2020	Decaux	.....	A61N 5/0616
2006/0116670	A1 *	6/2006	Scott	.....	A61B 18/0218
					606/25

2011/0144410	A1 *	6/2011	Kennedy	.....	A61N 5/0616
					600/2
2011/0152851	A1 *	6/2011	Formica	.....	A61B 18/0218
					606/25
2017/0050048	A1 *	2/2017	Aharon	.....	A61N 5/0616
2020/0086097	A1 *	3/2020	Lao	.....	A61N 5/0616

\* cited by examiner

*Primary Examiner* — Wan Laymon

(74) *Attorney, Agent, or Firm* — J.A. Lindeman & Co., PLLC

(57) **CLAIM**

The ornamental design for a device for dispensing carbon dioxide enhanced topical substances, as shown and described.

**DESCRIPTION**

FIG. 1 is a right front perspective view of the device for dispensing carbon dioxide enhanced topical substances in accordance with our new design.

FIG. 2 is a front view of the device for dispensing carbon dioxide enhanced topical substances of FIG. 1.

FIG. 3 is a rear view of the device for dispensing carbon dioxide enhanced topical substances of FIG. 1.

FIG. 4 is a left side view of the device for dispensing carbon dioxide enhanced topical substances of FIG. 1.

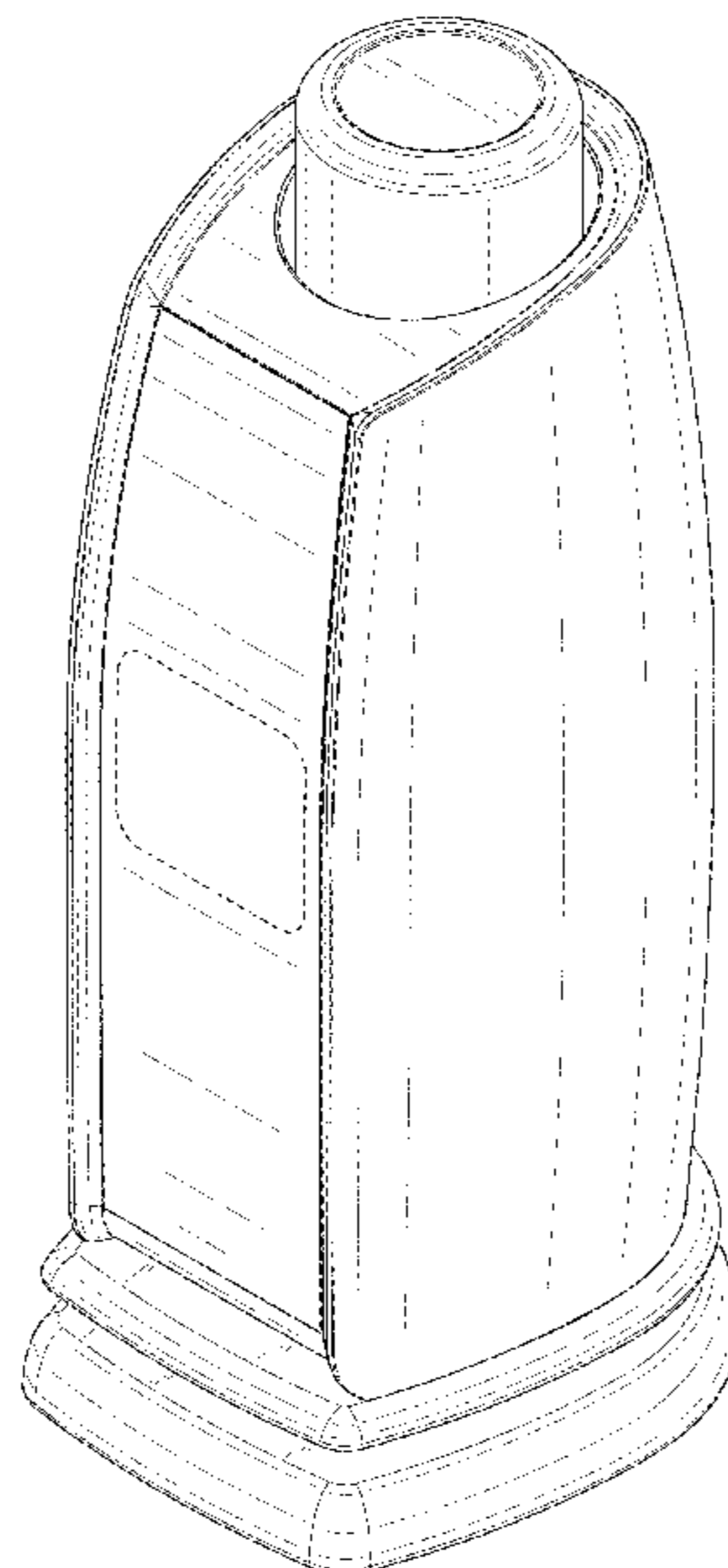
FIG. 5 is a right side view of the device for dispensing carbon dioxide enhanced topical substances of FIG. 1.

FIG. 6 is a top view of the device for dispensing carbon dioxide enhanced topical substances of FIG. 1; and,

FIG. 7 is a bottom view of the device for dispensing carbon dioxide enhanced topical substances of FIG. 1.

The broken lines depict portions of the device for dispensing carbon dioxide enhanced topical substances that form no part of the claimed design. The shade lines shown through the views are to indicate surface contour and are not intended to be surface ornamentation.

**1 Claim, 7 Drawing Sheets**



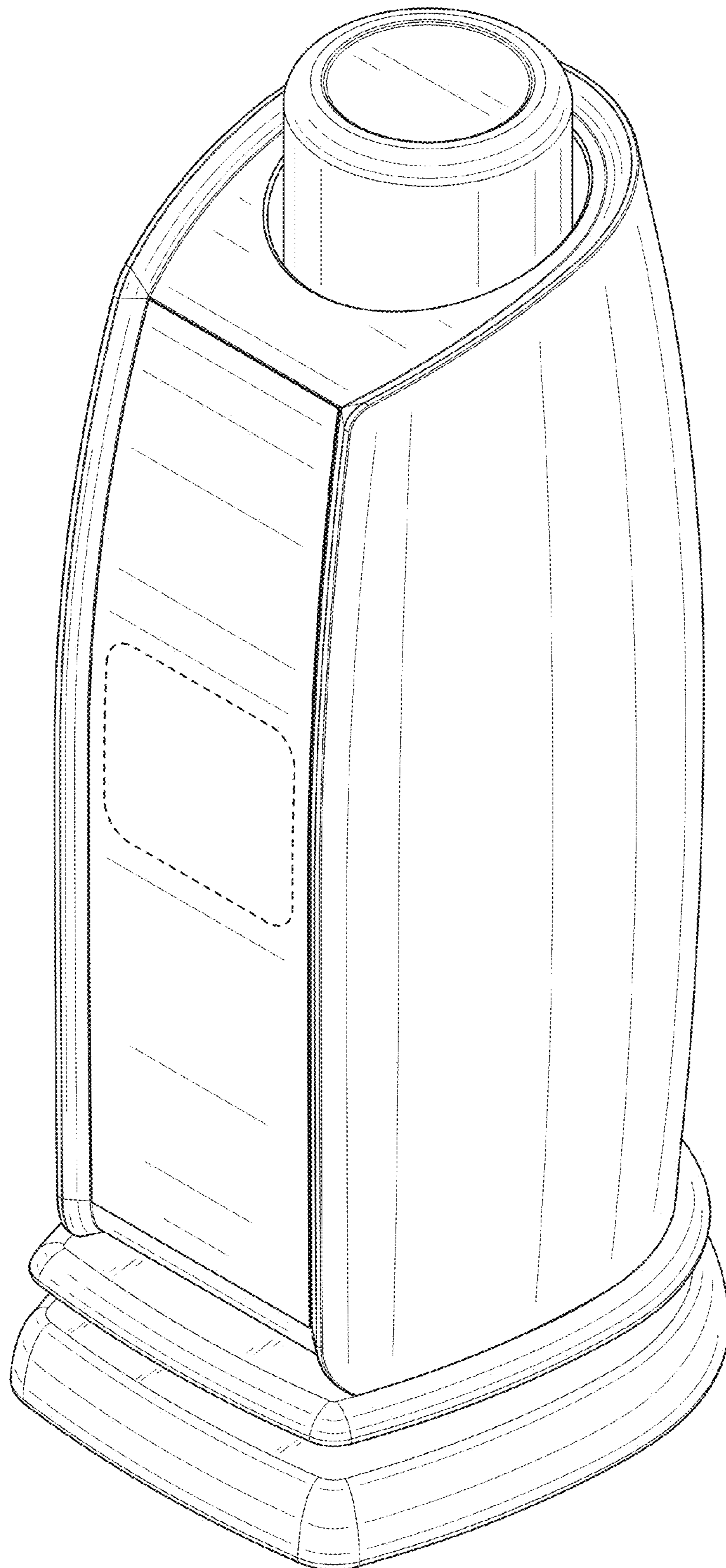


FIG. 1

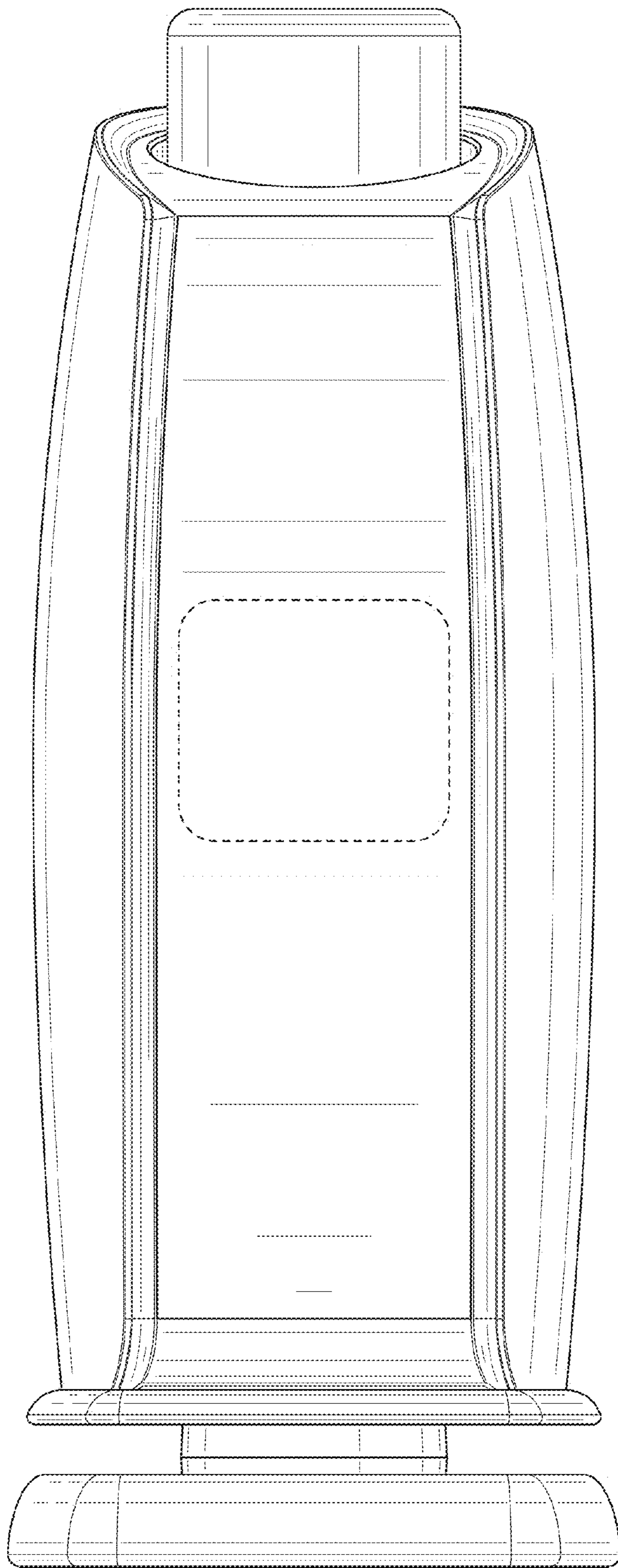


FIG. 2

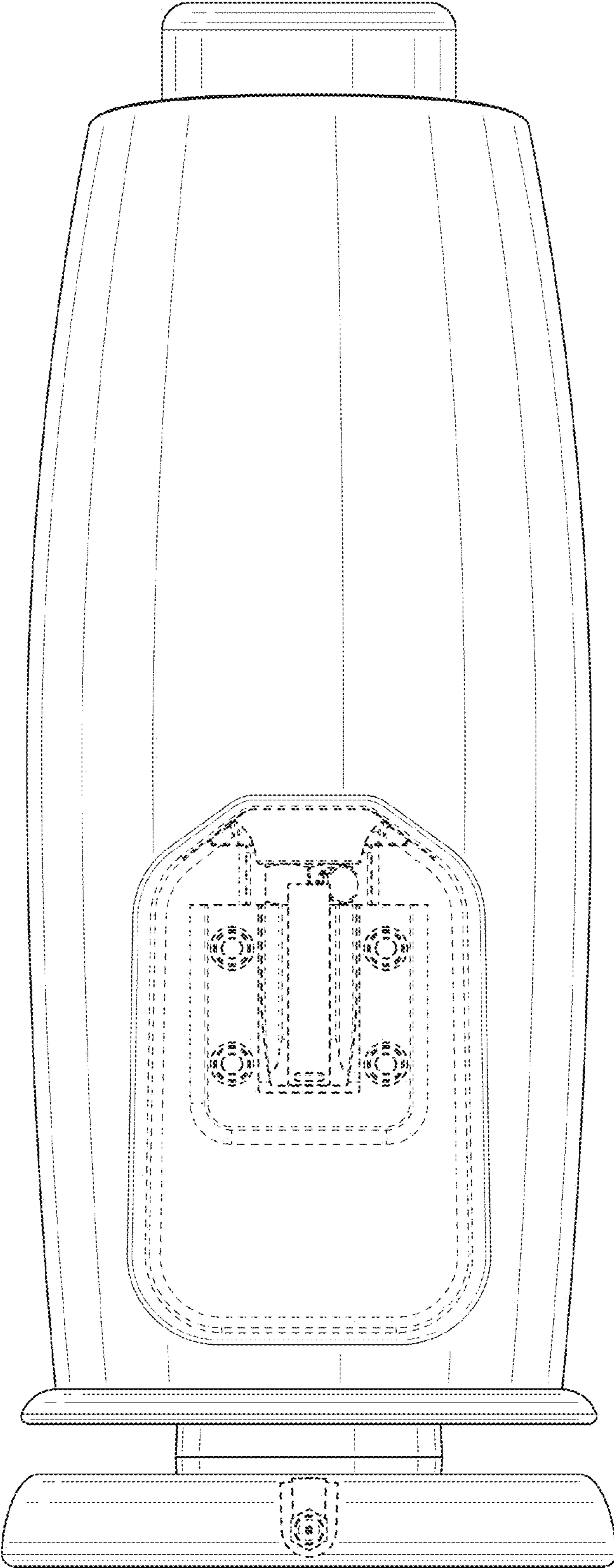


FIG. 3

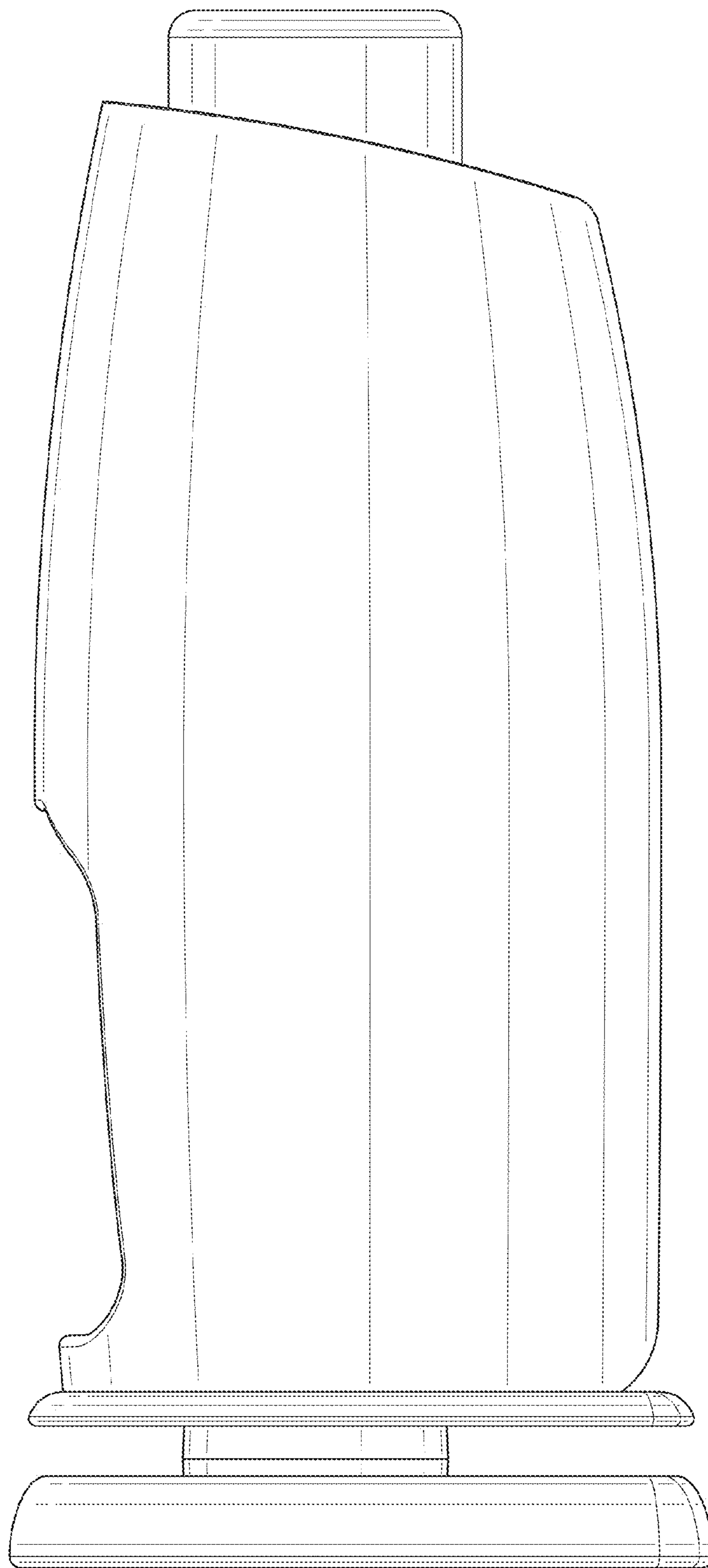


FIG. 4

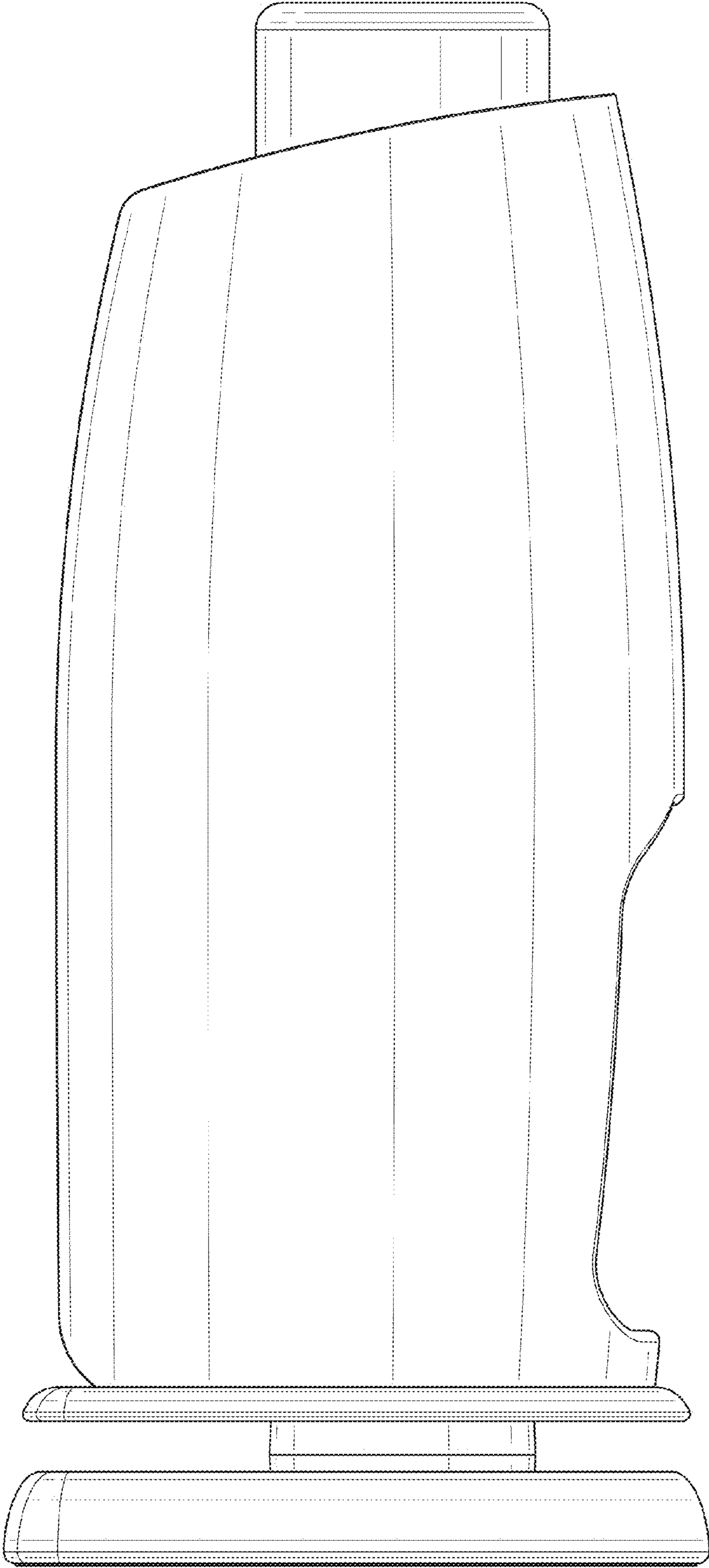


FIG. 5

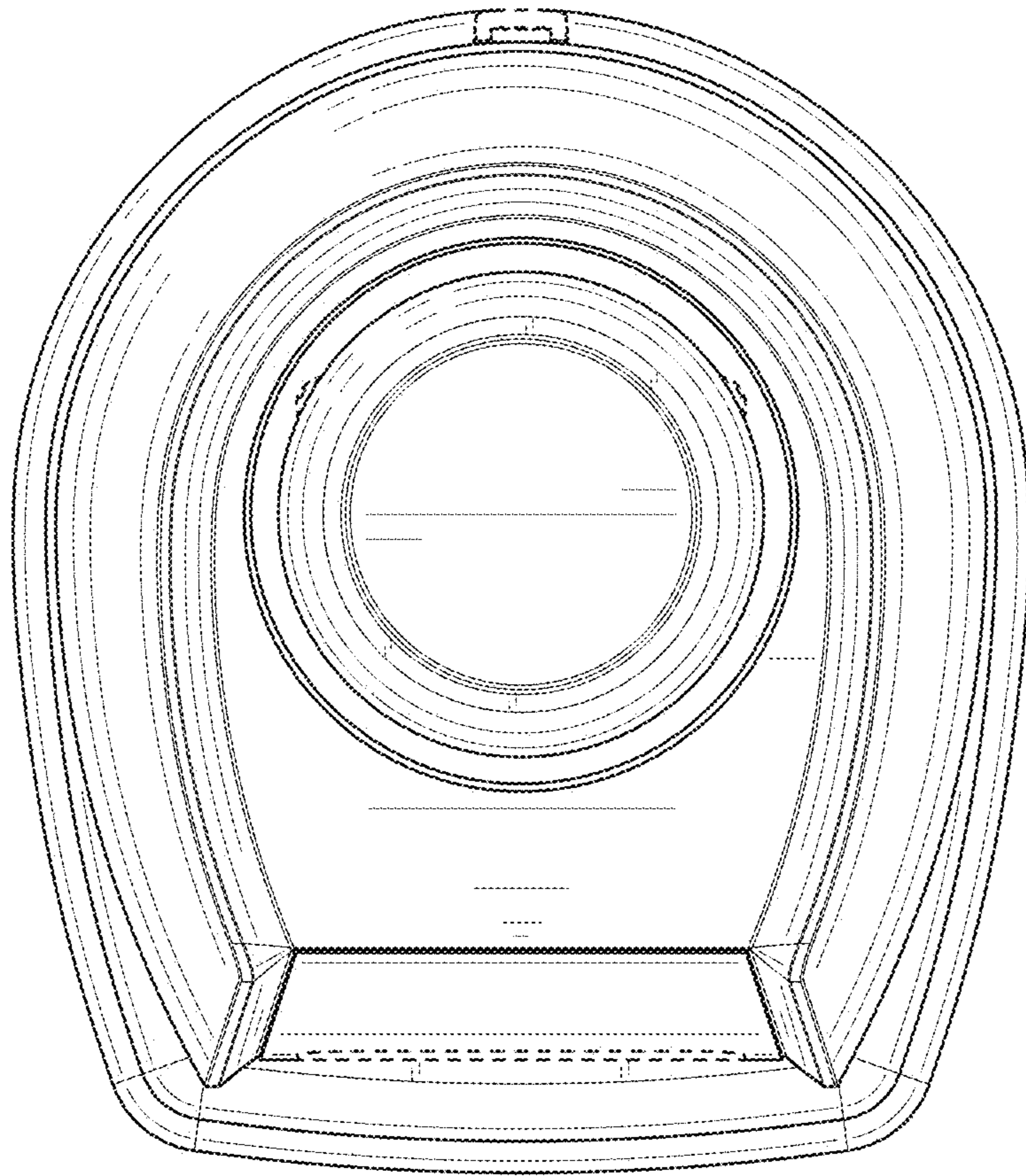


FIG. 6

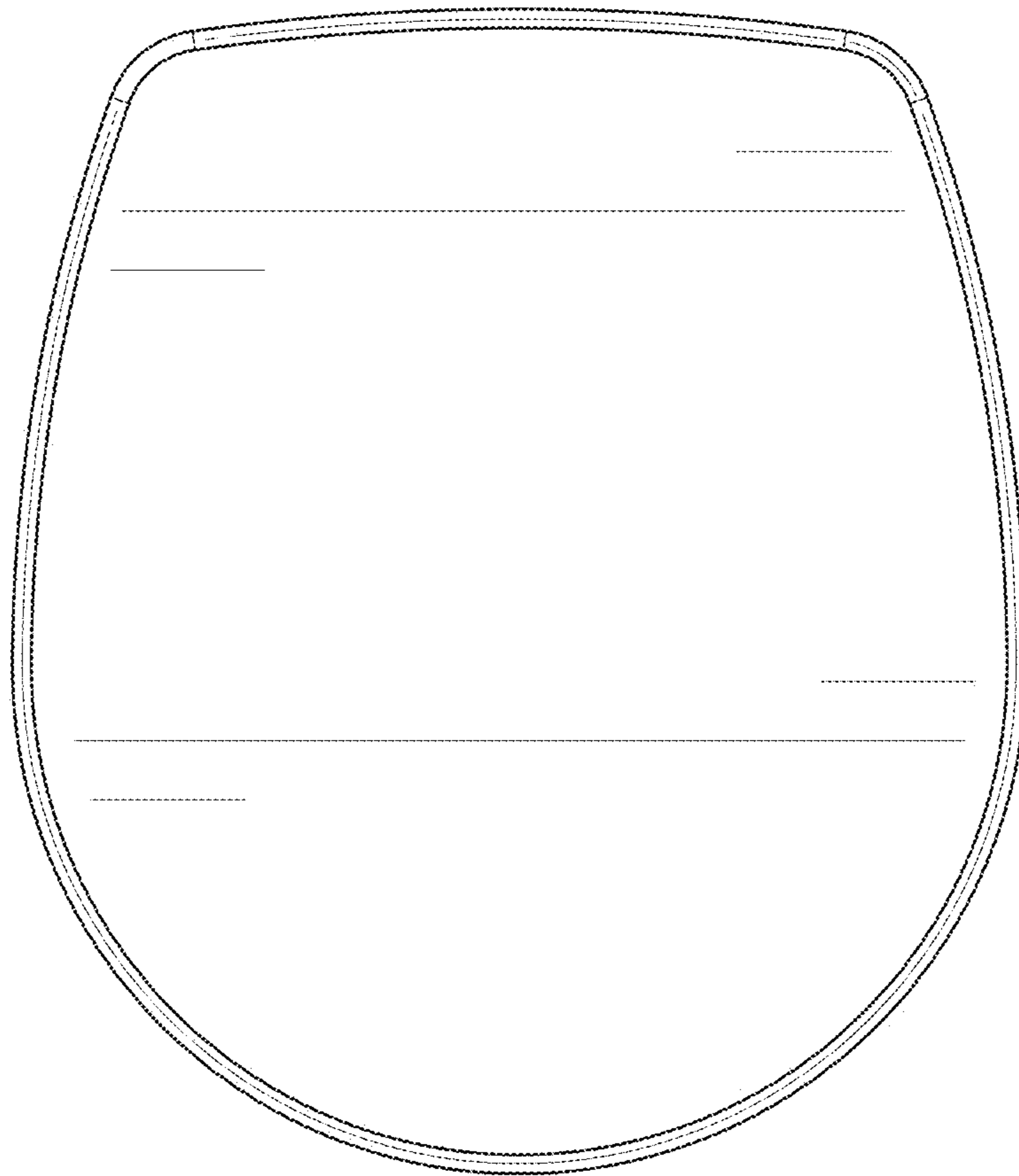


FIG. 7