



US00D913506S

(12) **United States Design Patent**
Ladiges

(10) **Patent No.:** **US D913,506 S**
(45) **Date of Patent:** **** Mar. 16, 2021**

- (54) **NIPPLE SHIELD**
- (71) Applicant: **MAPA GmbH**, Zeven (DE)
- (72) Inventor: **Elke Lisa Ladiges**, Hepstedt (DE)
- (73) Assignee: **MAPA GmbH**, Zeven (DE)
- (**) Term: **15 Years**
- (21) Appl. No.: **29/644,408**
- (22) Filed: **Apr. 17, 2018**
- (51) **LOC (13) Cl.** **24-04**
- (52) **U.S. Cl.**
USPC **D24/189**
- (58) **Field of Classification Search**
USPC D24/133, 189, 190, 200, 205, 211–215,
D24/109, 194, 196, 197, 199
CPC A41B 9/12; A61J 11/006
See application file for complete search history.

D725,787 S *	3/2015	Brown	D24/194
9,561,157 B2 *	2/2017	Knight	A61J 11/006
9,987,197 B2 *	6/2018	Itzek	A61J 11/006
D840,044 S *	2/2019	Rard	D24/194
D848,628 S *	5/2019	Reed	D24/196

OTHER PUBLICATIONS

Amazon. Medela Contact Nipple Shield, 24mm Medium, Nippleshield for Breastfeeding with Latch Difficulties or Flat or Inverted Nipples, Made Without BPA. Nov. 15, 2005. <https://www.amazon.com/Medela-Contact-Breastfeeding-Difficulties-Inverted/dp/B000067PQ0> (Year: 2005).*

* cited by examiner

Primary Examiner — Darcey E Gottschalk

(57) **CLAIM**

The ornamental design for a nipple shield, as shown and described.

DESCRIPTION

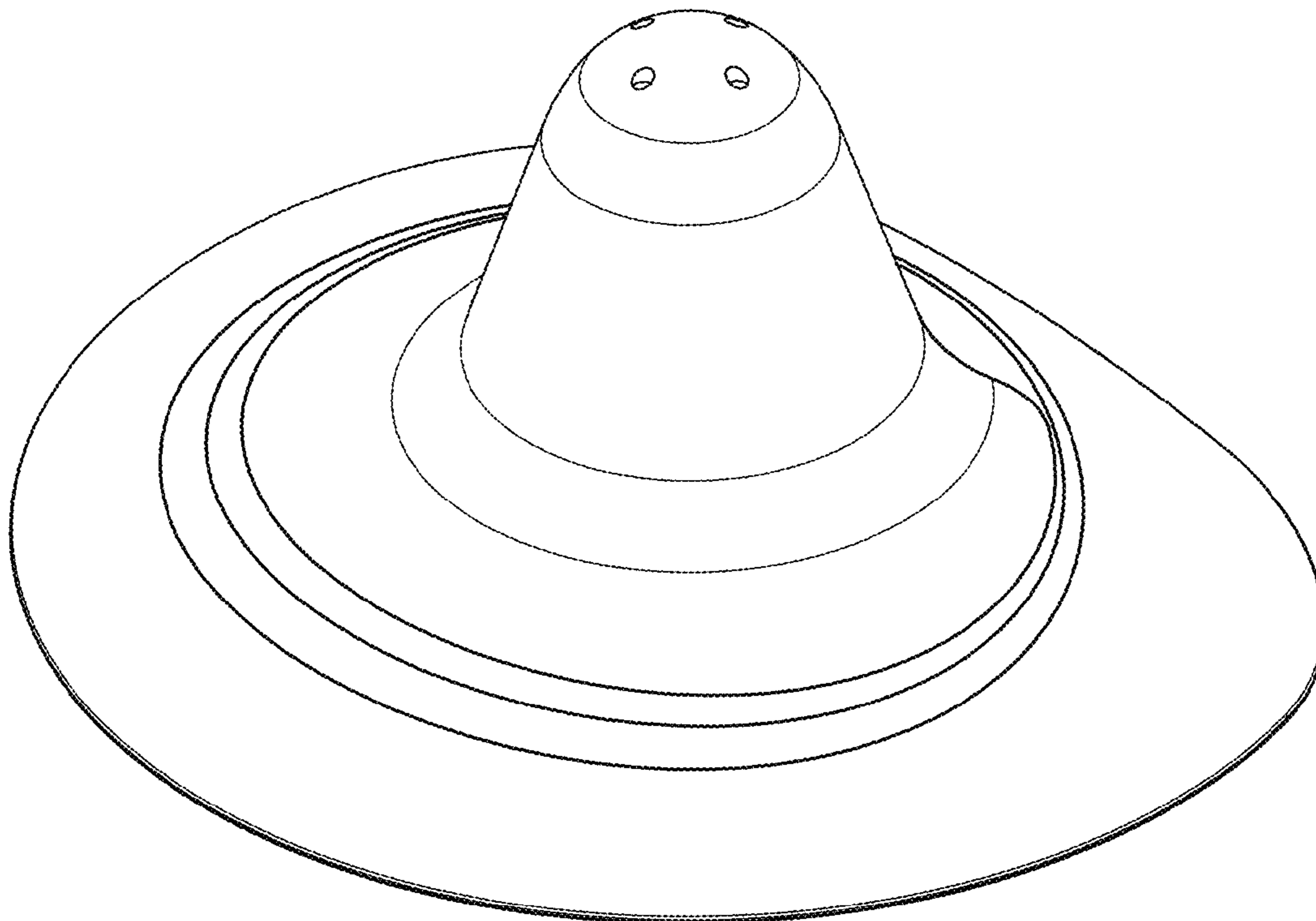
FIG. 1 is a perspective view of nipple shield, showing my new design;
FIG. 2 is a front view thereof;
FIG. 3 is a left view thereof;
FIG. 4 is a right view thereof;
FIG. 5 is a back view thereof;
FIG. 6 is a bottom view thereof; and,
FIG. 7 is a top view thereof.
In the drawings, the broken lines show portions of a nipple shield that form no part of the claim.

1 Claim, 7 Drawing Sheets

(56) **References Cited**

U.S. PATENT DOCUMENTS

D381,752 S *	7/1997	McCoy	D24/193
D405,530 S *	2/1999	Manganiello	D24/196
D412,582 S *	8/1999	Morano	D24/197
D441,870 S *	5/2001	Randolph	D24/196
D465,028 S *	10/2002	Renz	D24/196
D488,560 S *	4/2004	Renz	D24/196
D504,723 S *	5/2005	Randolph	D24/196
D504,725 S *	5/2005	Randolph	D24/196
D637,726 S *	5/2011	Francis	D24/193
D681,216 S *	4/2013	Smith	D24/196
D725,282 S *	3/2015	Lo	D24/194



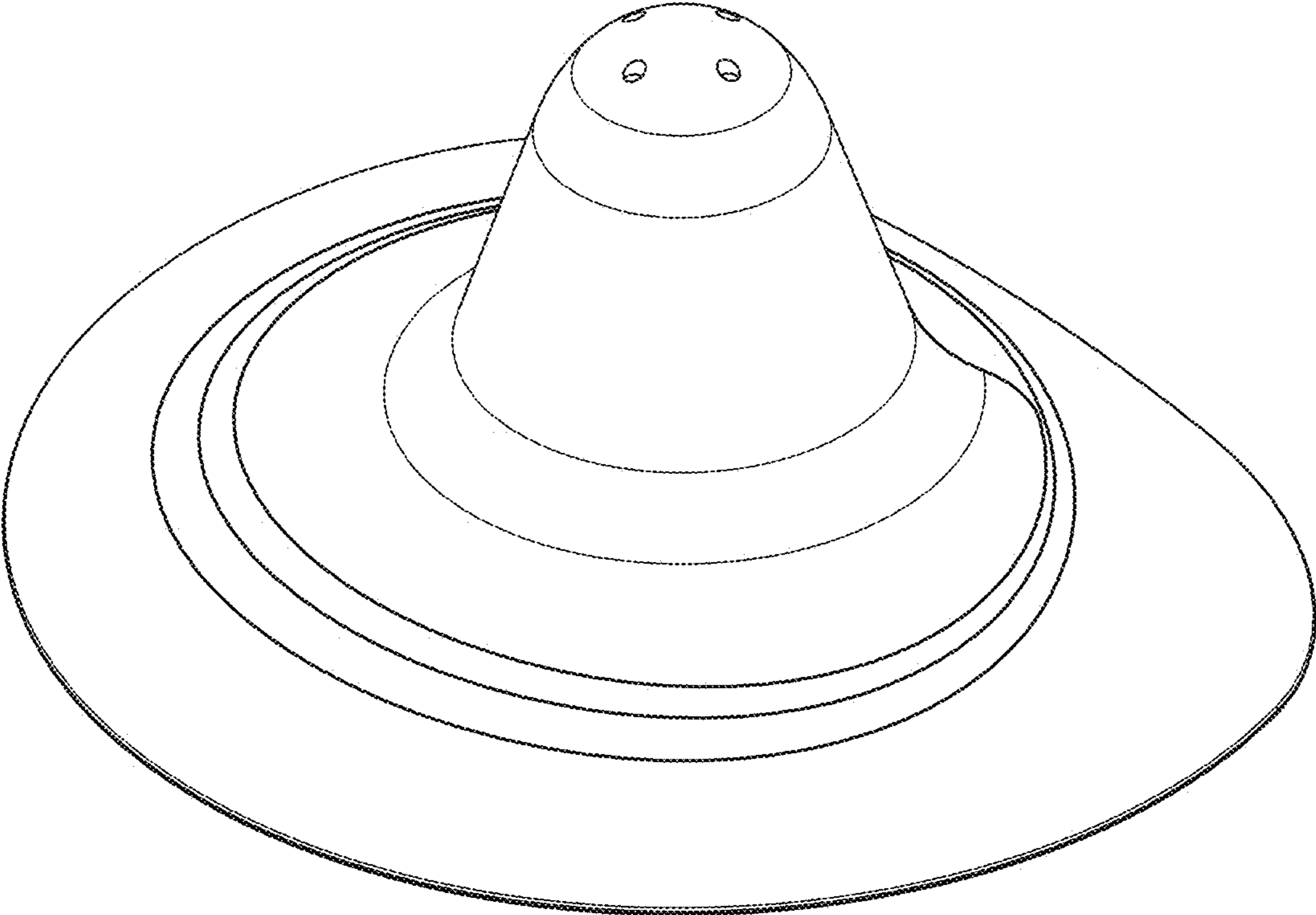


FIG. 1

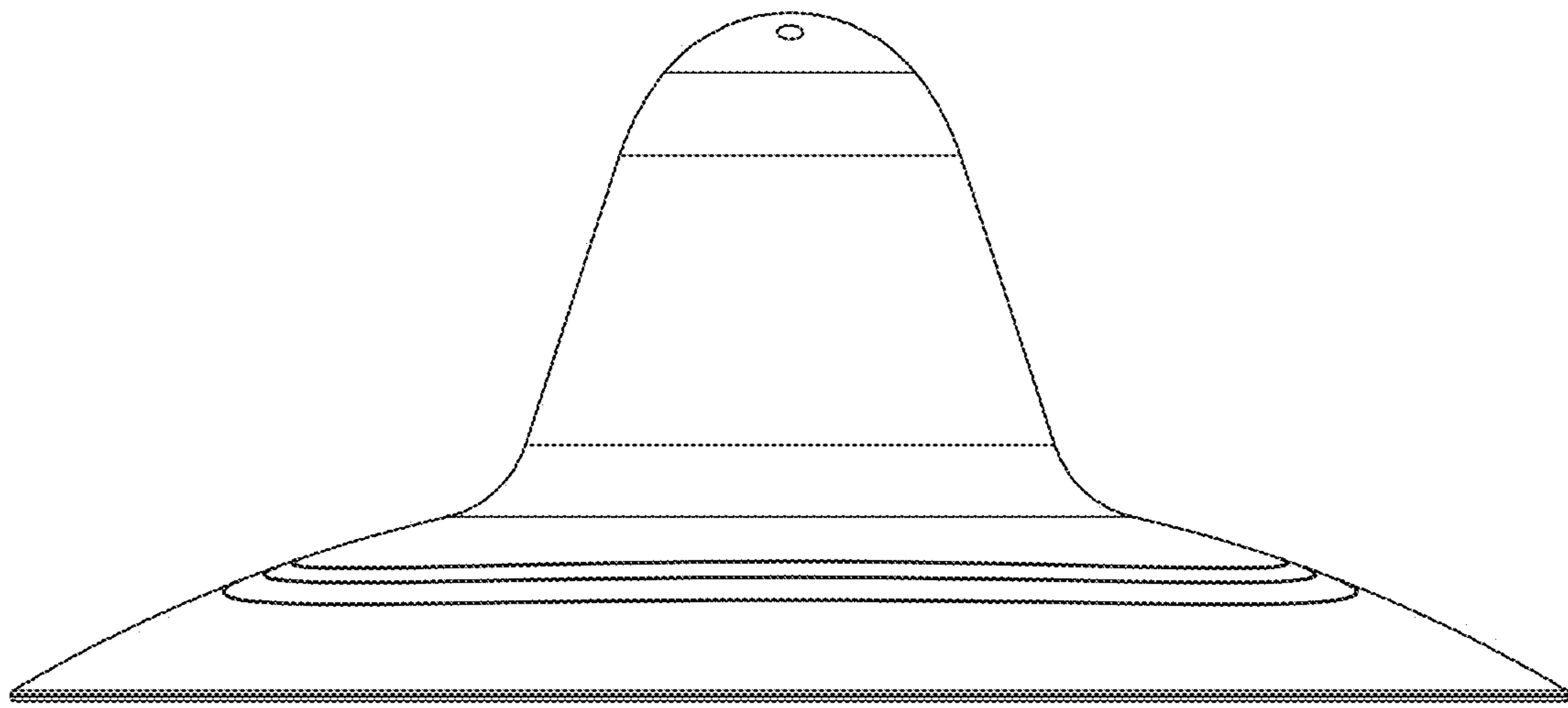


FIG. 2

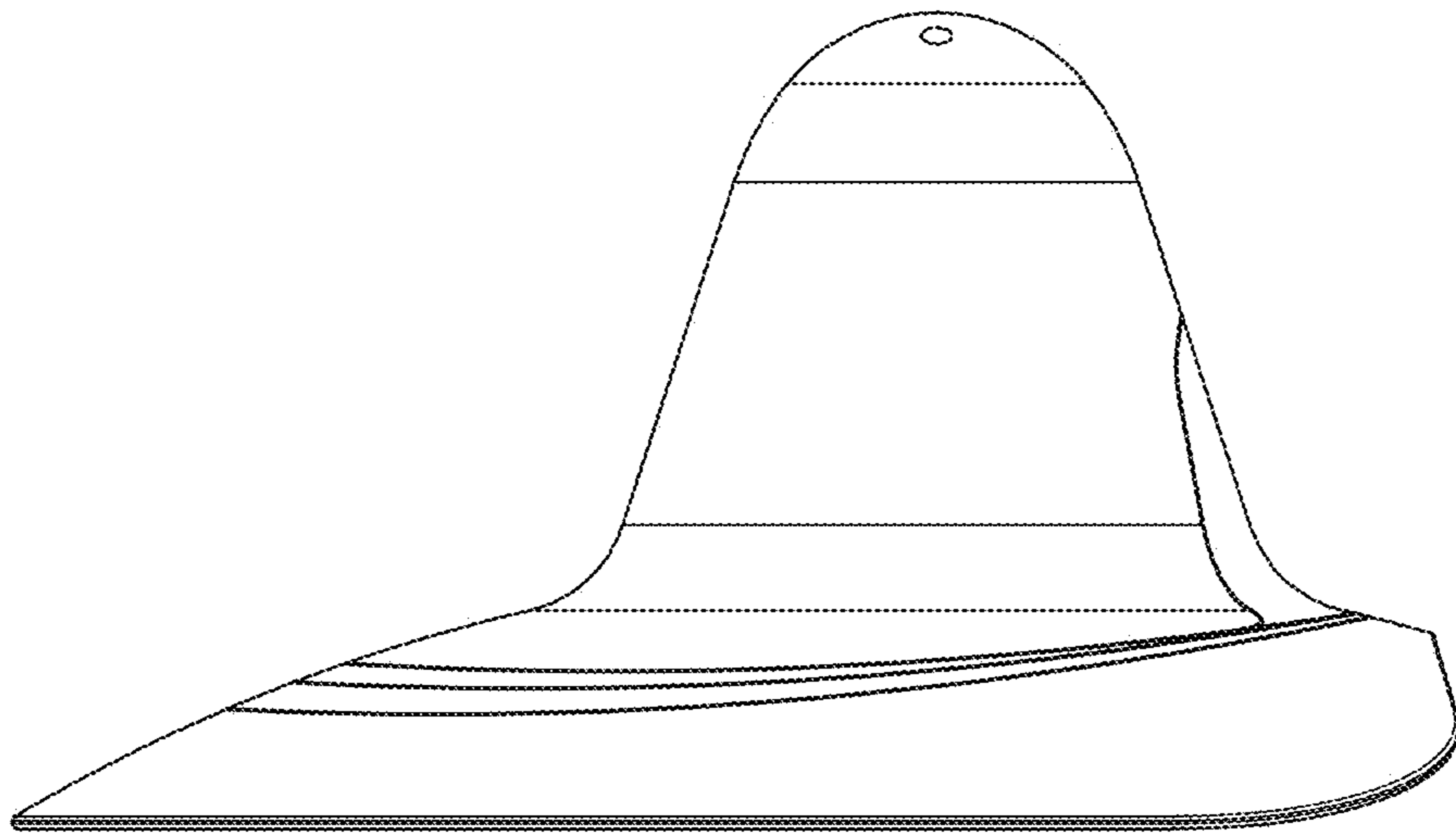


FIG. 3

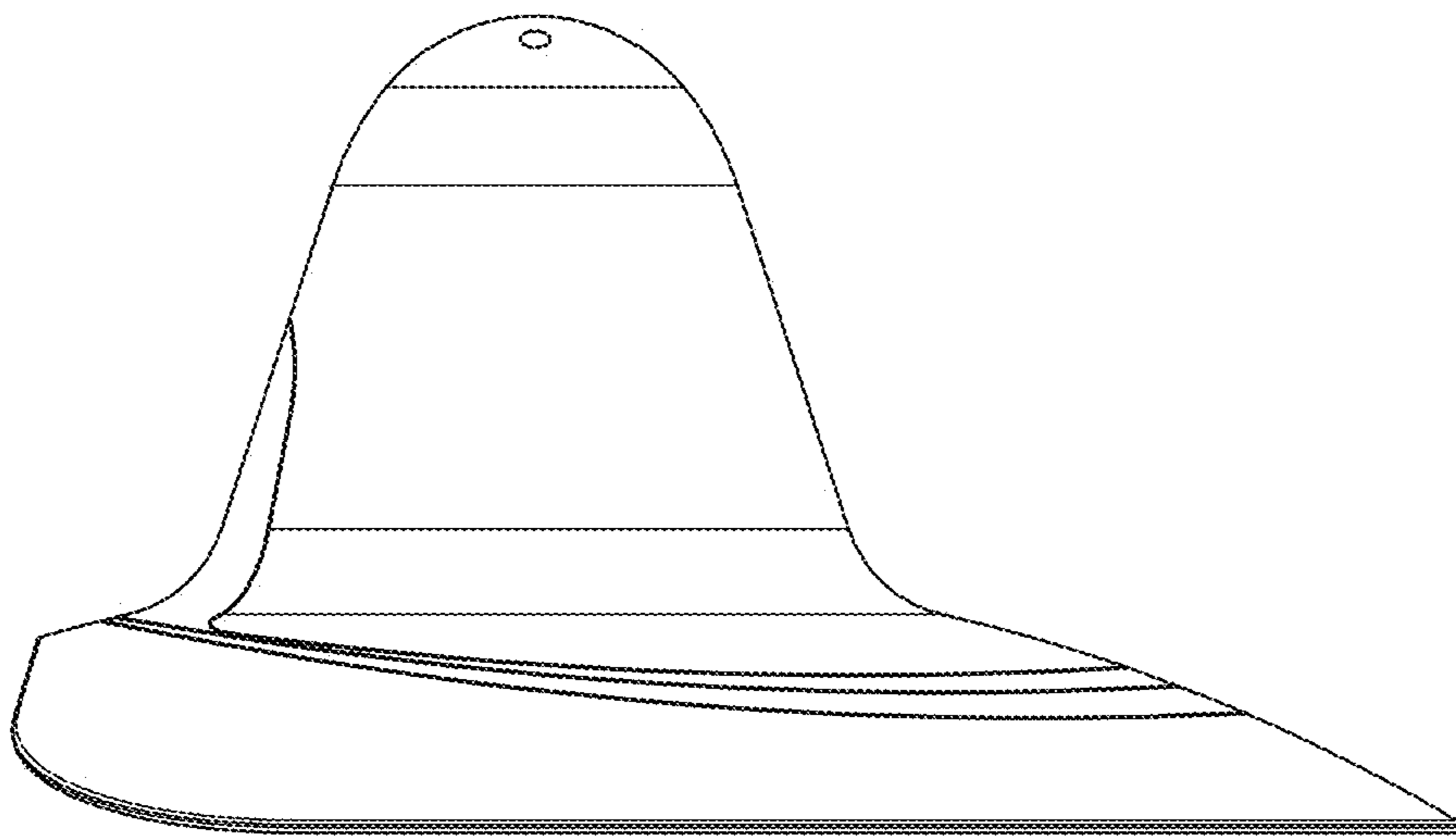


FIG. 4

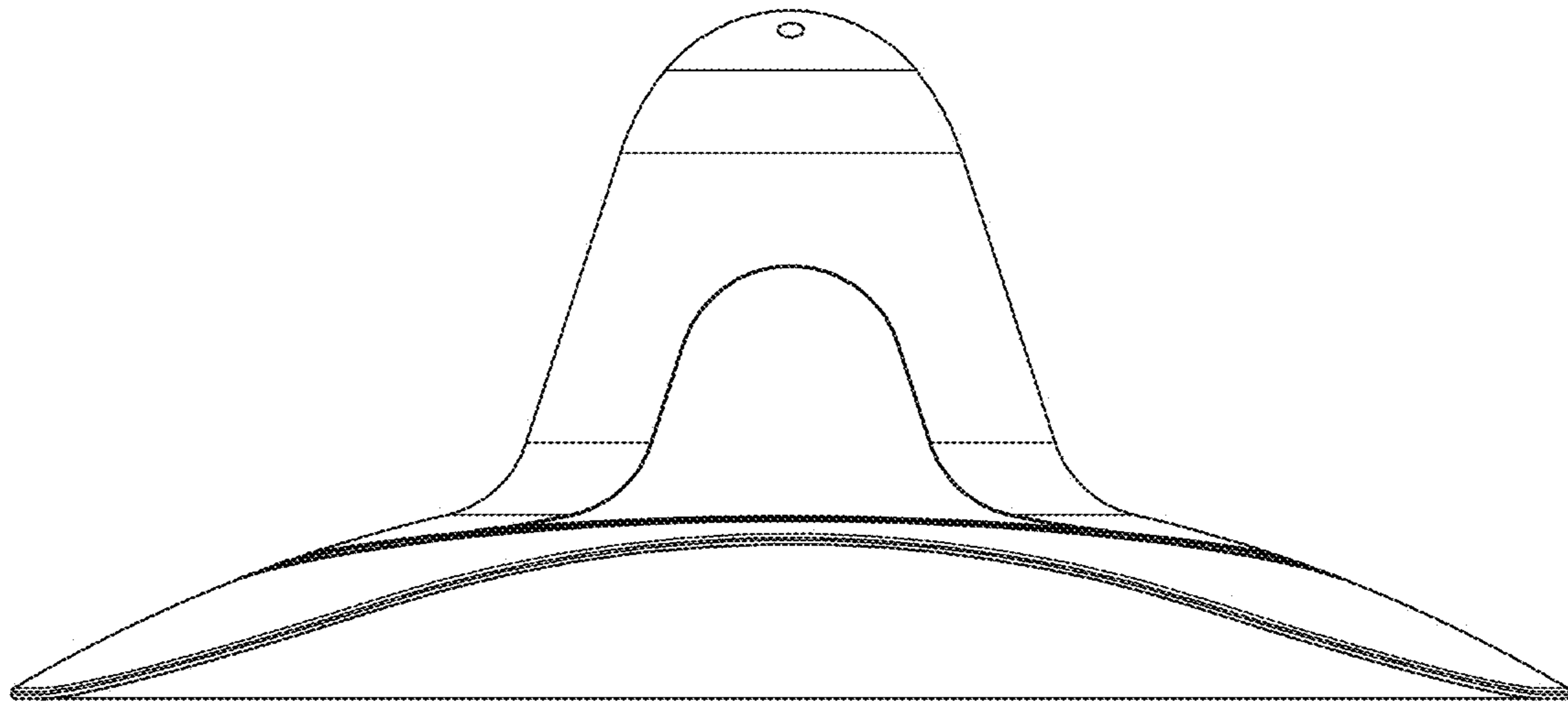


FIG. 5

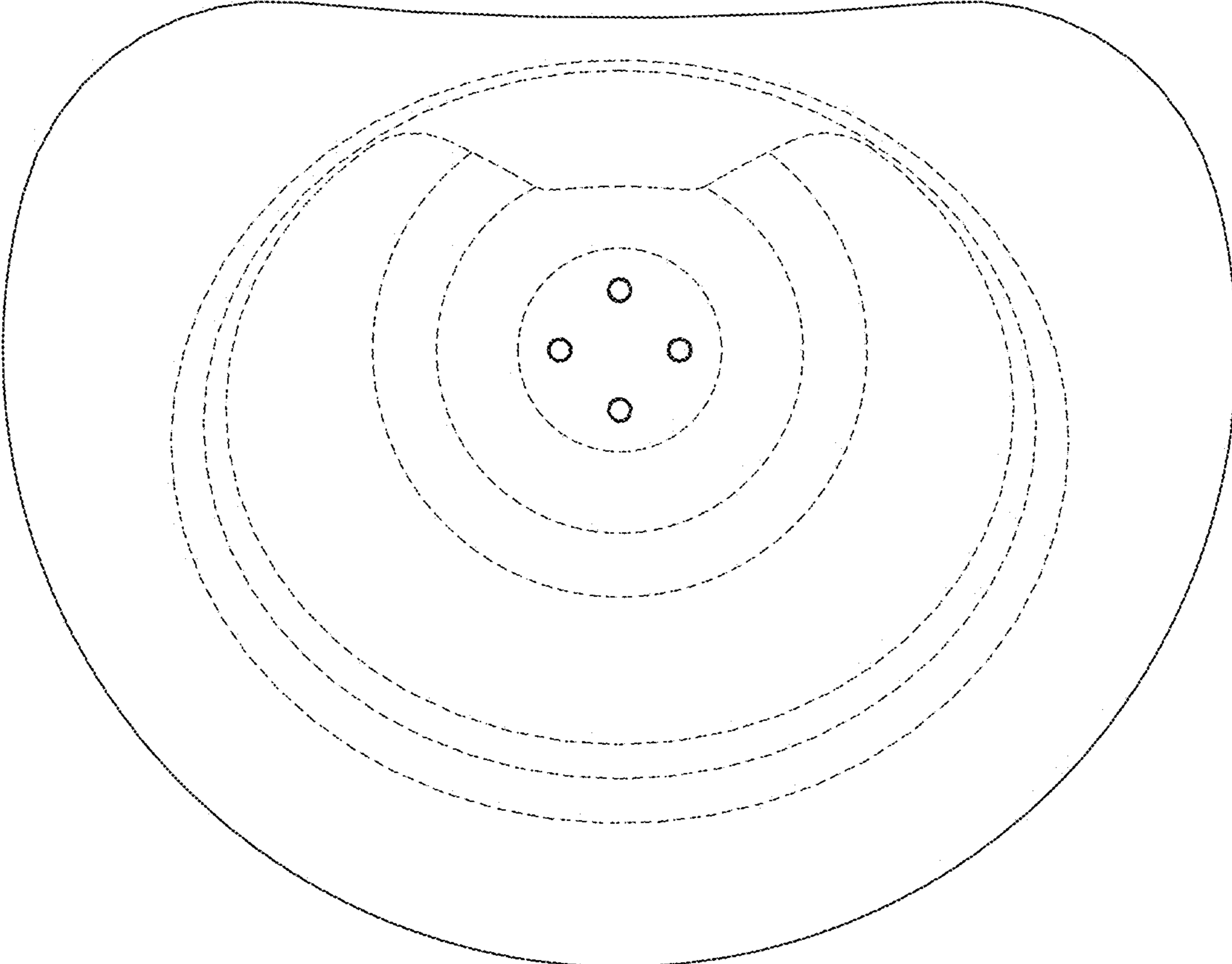


FIG. 6

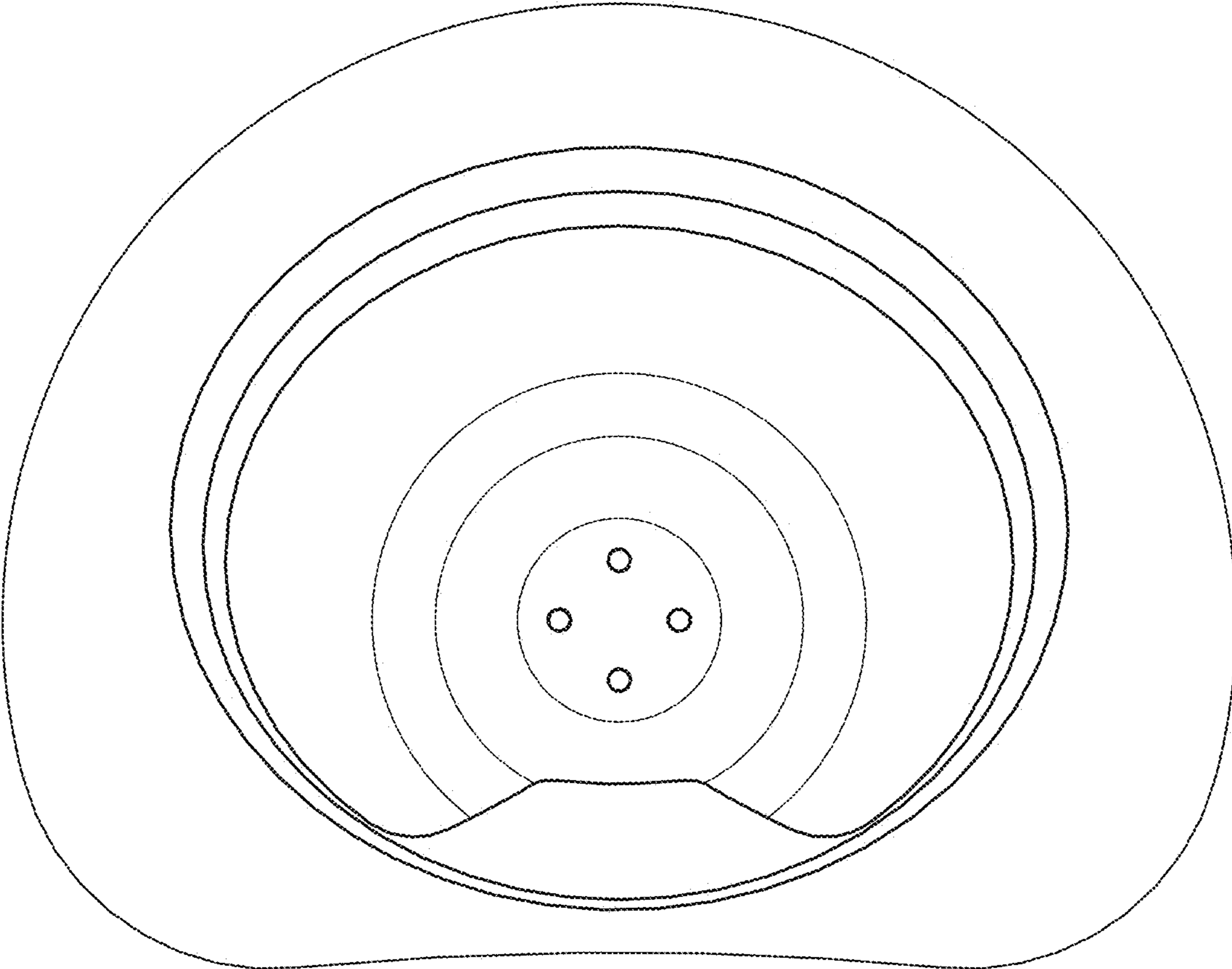


FIG. 7