



US00D913503S

(12) **United States Design Patent** (10) **Patent No.:** **US D913,503 S**
Kari (45) **Date of Patent:** **** Mar. 16, 2021**

(54) **PEDESTAL FRAME OF A DENTAL UNIT**

OTHER PUBLICATIONS

(71) Applicant: **Planmeca Oy**, Helsinki (FI)

“Planmeca Compact-i5 Dental Unit”. Found online Jul. 21, 2020 at dentalreview.news. Reference dated Dec. 10, 2018. Retrieved from <https://www.dentalreview.news/technology/23-dental-equipment/4061-planmeca-compact-i5-dental-unit>.*

(72) Inventor: **Malmén Kari**, Helsinki (FI)

“Planmeca Compact-i5”. Found online Jul. 21, 2020 at planmeca.com. Reference dated Aug. 10, 2019. Retrieved from https://tineye.com/search/585004c9ae572292bd0e968bd18a1456ae5f4008?sort=crawl_date&order=asc&page=1.*

(**) Term: **15 Years**

“Planmeca Compact i-touch v2”. Found online Jul. 21, 2020 at ivodentonline.co.za. Reference dated Feb. 22, 2012. Retrieved from https://tineye.com/search/3fead92e075288b5a1a6199d5de4f04a76d42b?sort=crawl_date&order=asc&page=1.*

(21) Appl. No.: **35/507,691**

(22) Filed: **May 7, 2019**

(80) **Hague Agreement Data**

Int. Filing Date: **May 7, 2019**

Int. Reg. No.: **DM/203817**

Int. Reg. Date: **May 7, 2019**

Int. Reg. Pub. Date: **Nov. 8, 2019**

* cited by examiner

Primary Examiner — Kendra Leslie Hamilton

(51) **LOC (13) Cl.** **24-01**

(52) **U.S. Cl.**

USPC **D24/177**

(57) **CLAIM**

(58) **Field of Classification Search**

USPC D24/176, 177, 178, 179

CPC A61G 15/00; A61G 15/10; A61G 15/16

See application file for complete search history.

The ornamental design for a pedestal frame of a dental unit, as shown and described.

(56) **References Cited**

DESCRIPTION

U.S. PATENT DOCUMENTS

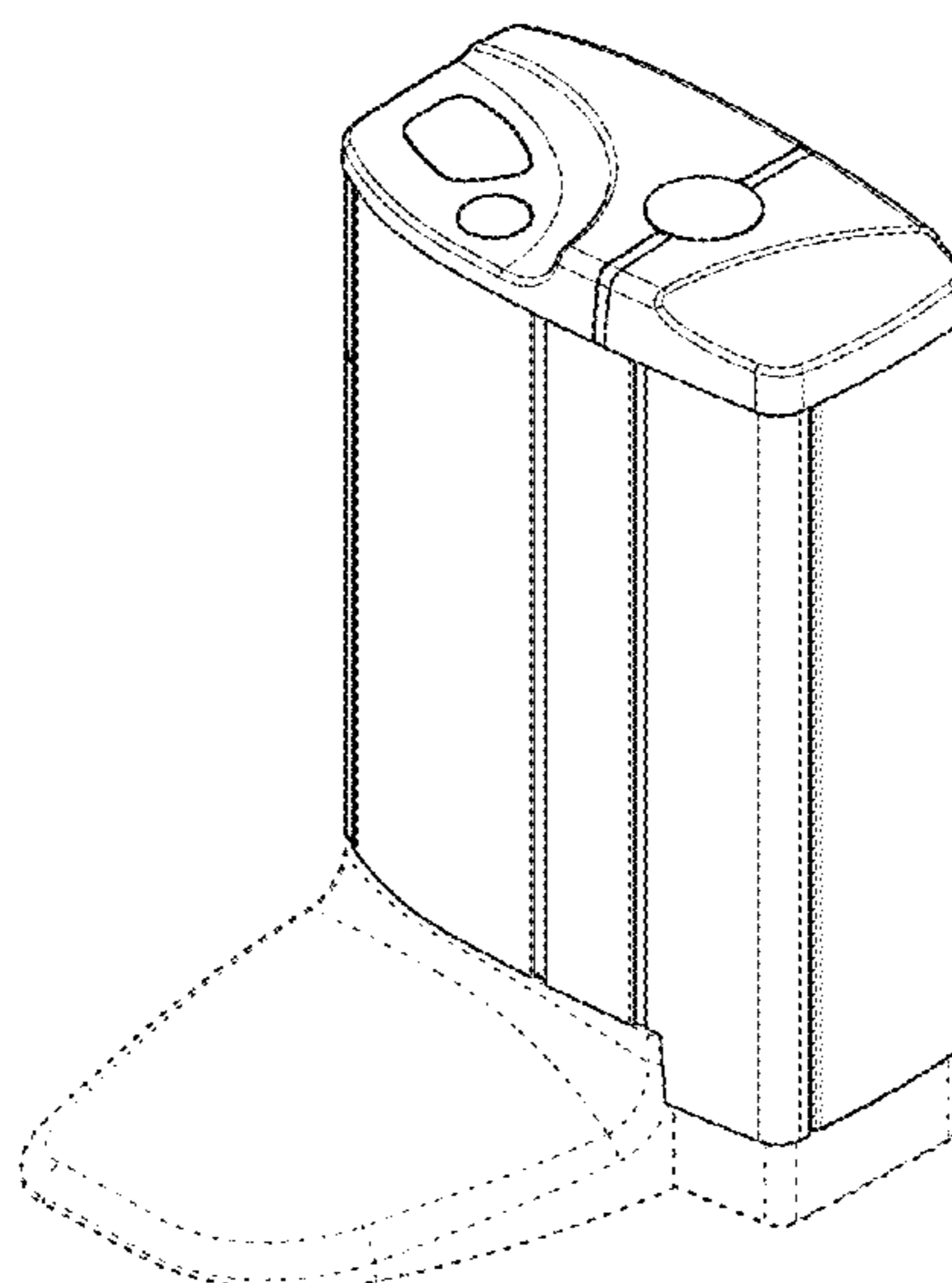
D53,590 S *	7/1919	Hendrickson	D24/177
D110,275 S *	6/1938	Dreyfuss	D24/177
D206,267 S *	11/1966	Maurer et al.	433/79
D206,326 S *	11/1966	Jordan	D24/178
3,302,290 A *	2/1967	Weiss	A61G 15/14
				433/97
D246,256 S *	11/1977	Truette	D24/177
D595,412 S *	6/2009	Malmen	D24/178
D673,276 S *	12/2012	Jamison	D24/178
D709,200 S *	7/2014	Silvonen	D24/177
D726,324 S *	4/2015	Duncan	D24/177
D847,347 S *	4/2019	Nielsen	D24/177
D887,461 S *	6/2020	Malmen	D15/122
2011/0104634 A1 *	5/2011	Kyostila	A61B 6/04
				433/29

1. Pedestal frame of a dental unit

- 1.1 : Top-rear perspective
- 1.2 : Top-front perspective
- 1.3 : Front
- 1.4 : Back
- 1.5 : Left
- 1.6 : Right
- 1.7 : Top
- 1.8 : Bottom

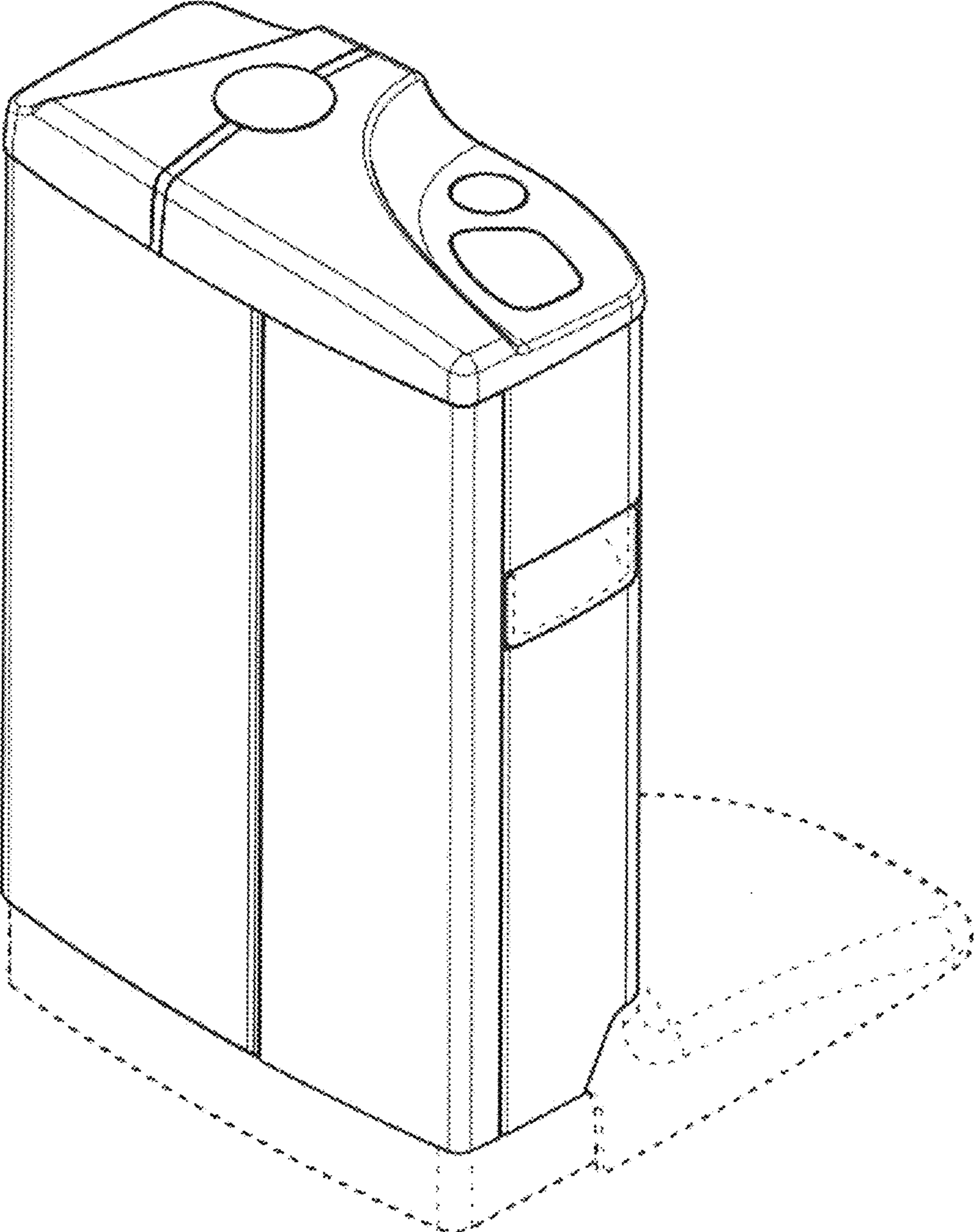
The broken lines in the drawings depict portions of the pedestal frame of a dental unit that form no part of the claimed design.

1 Claim, 8 Drawing Sheets

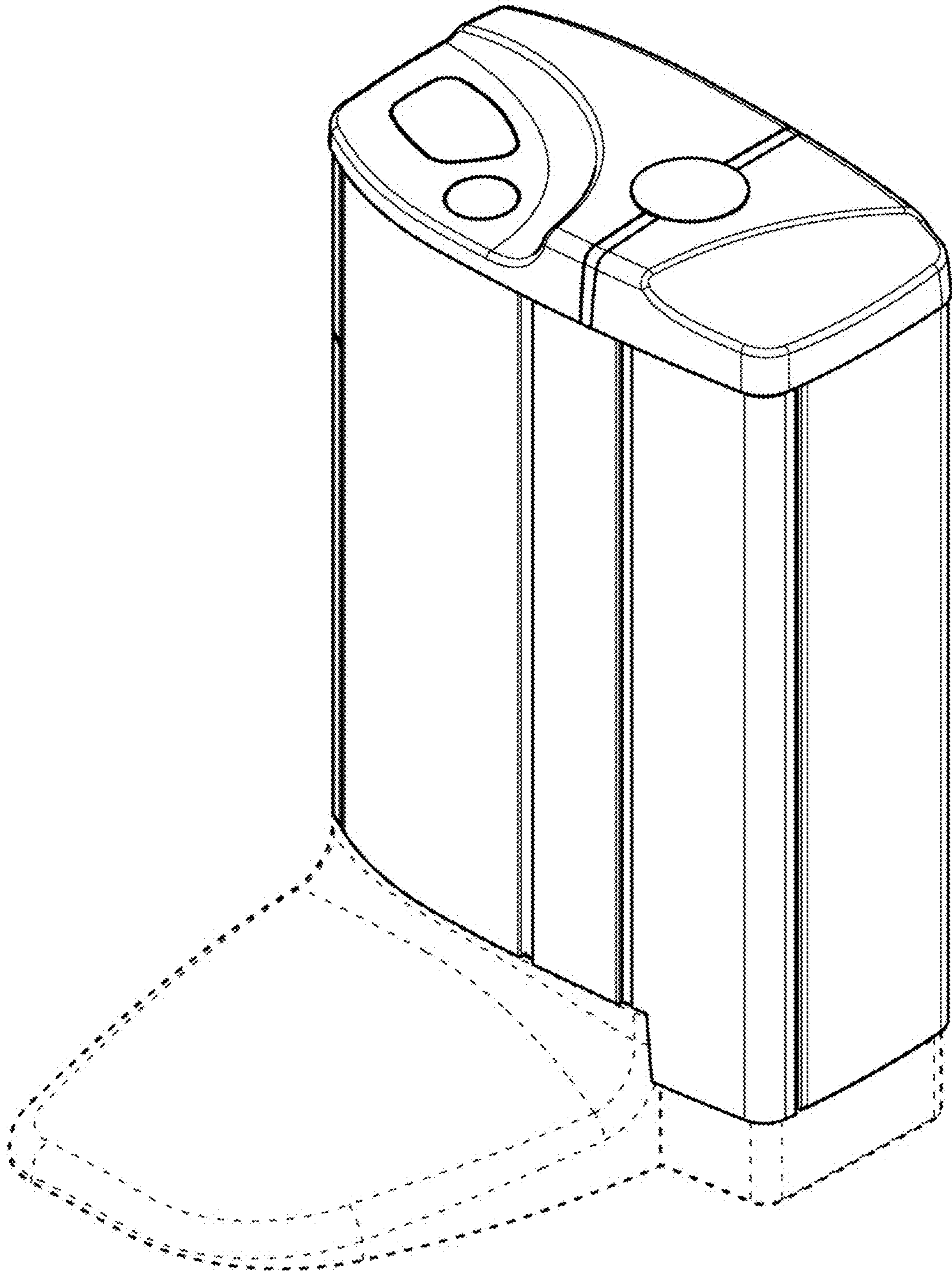


1.1

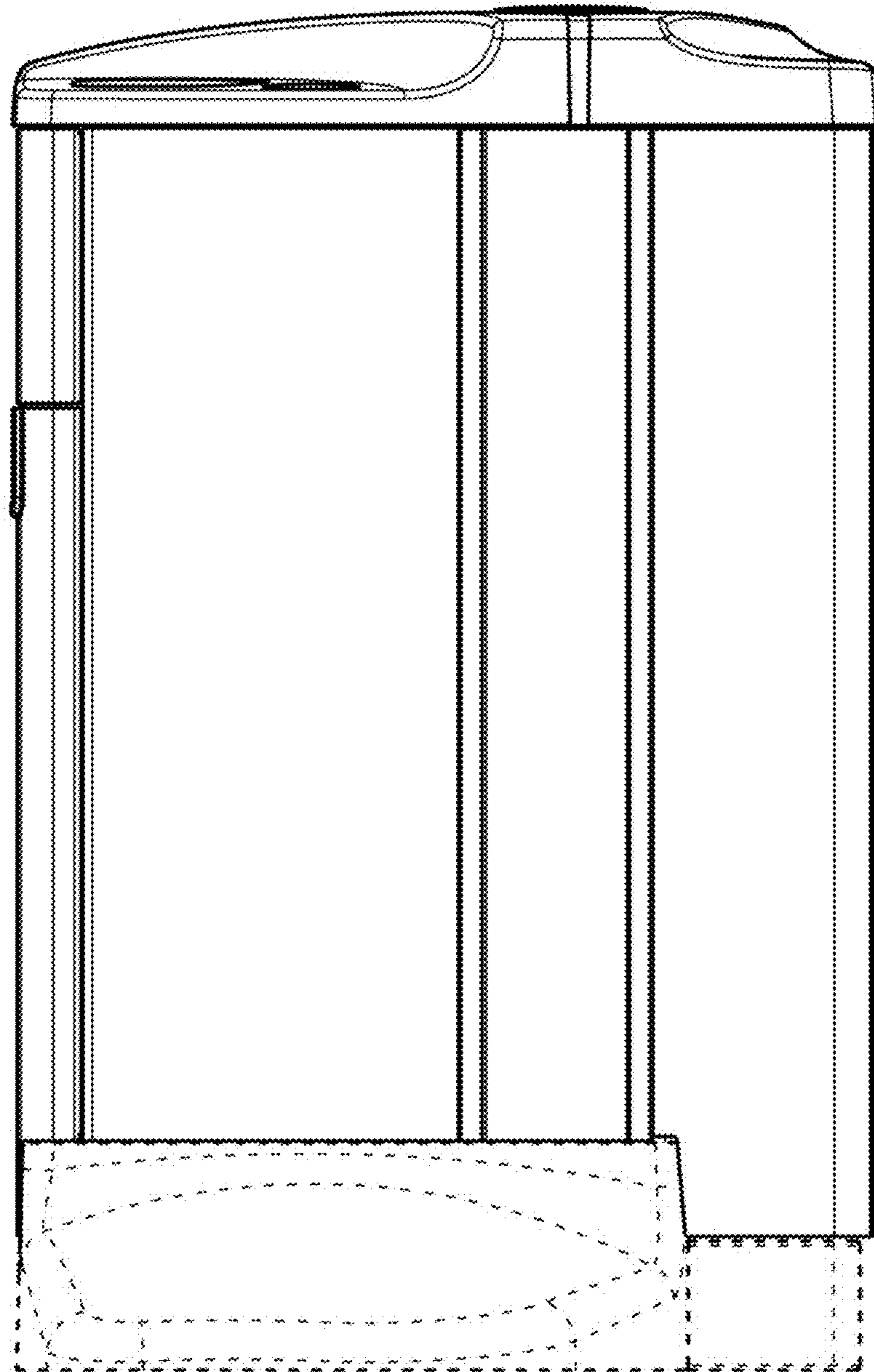
Top-rear Perspective



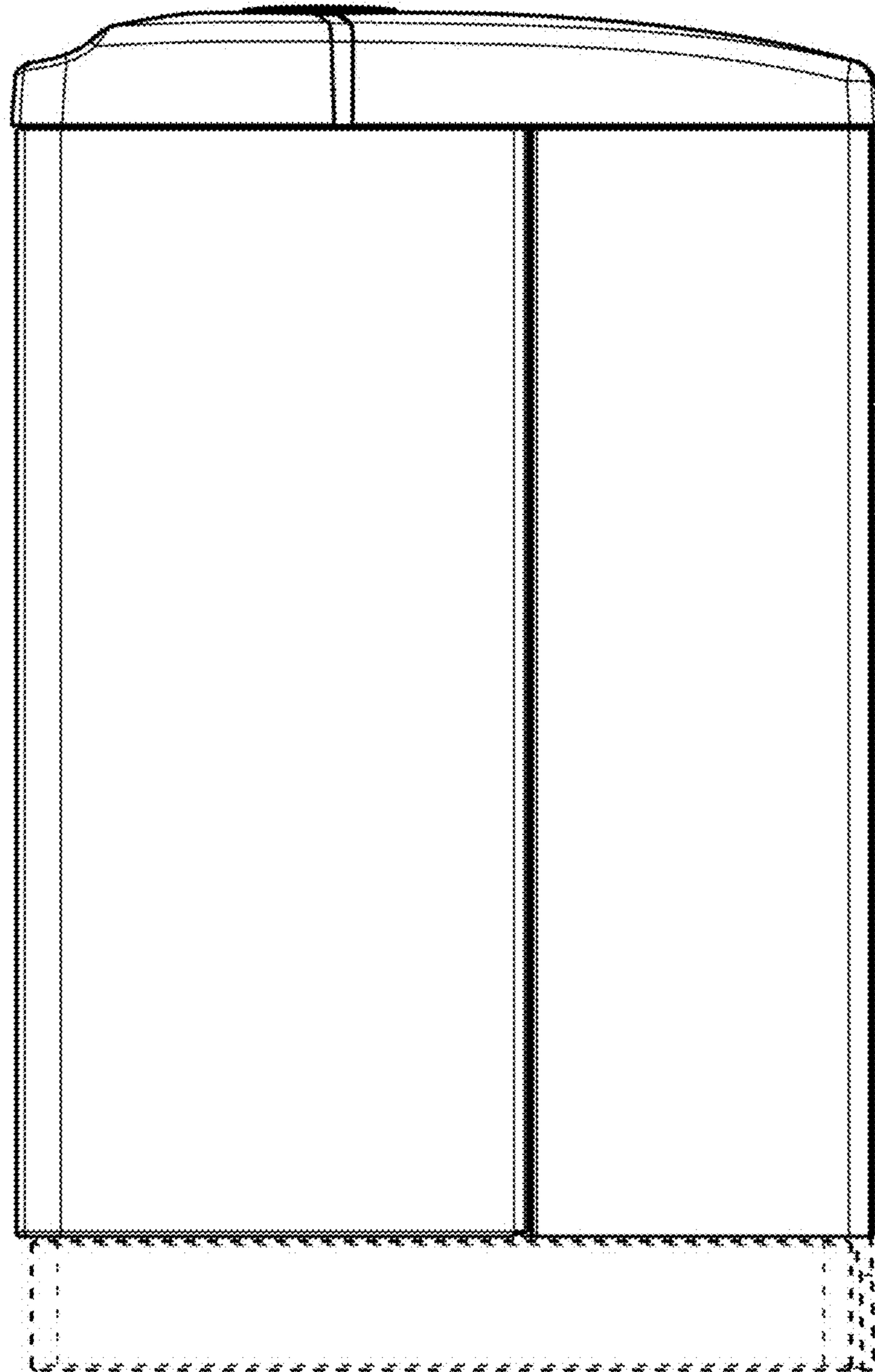
1.2



1.3

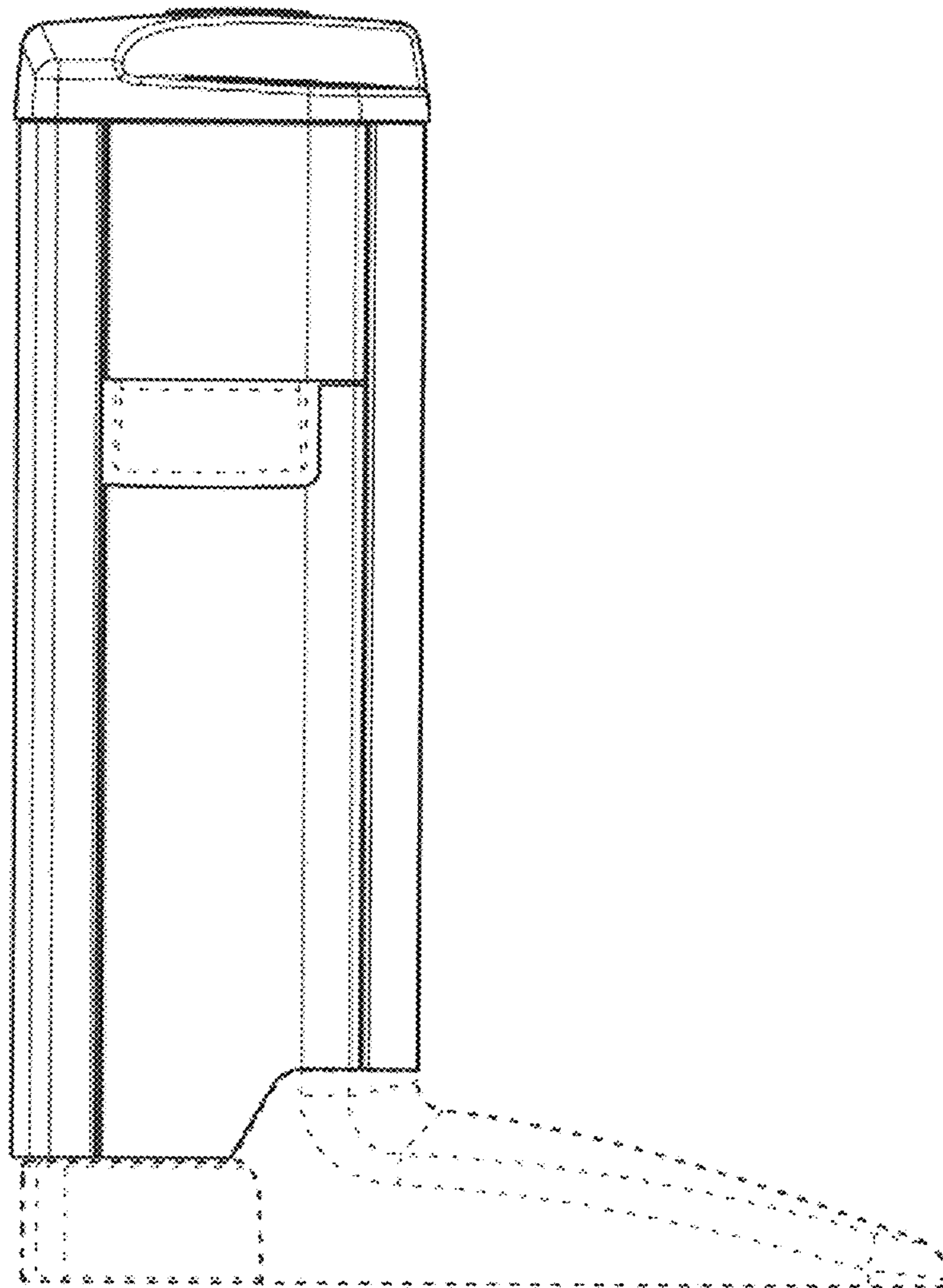


1.4

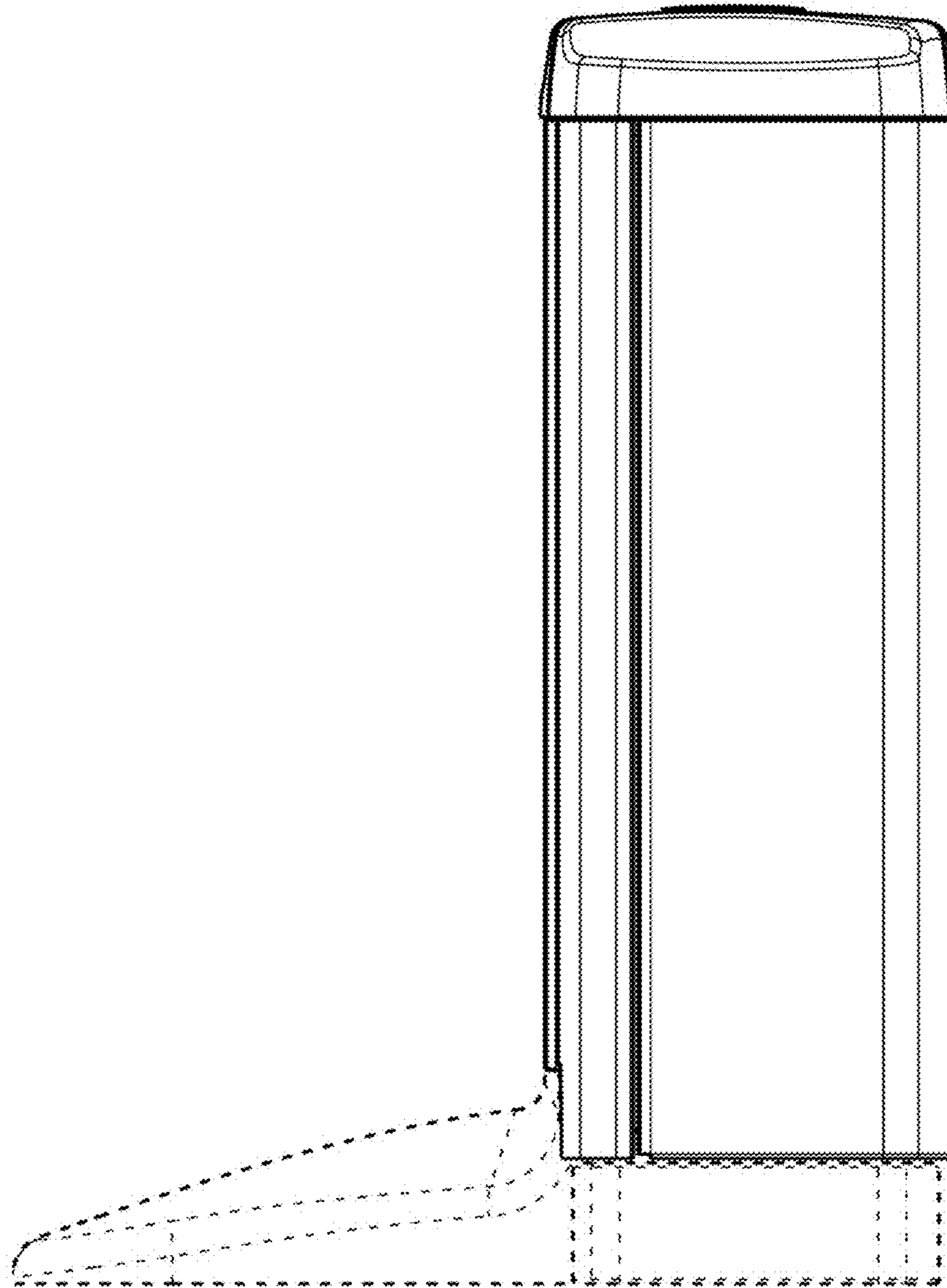


15

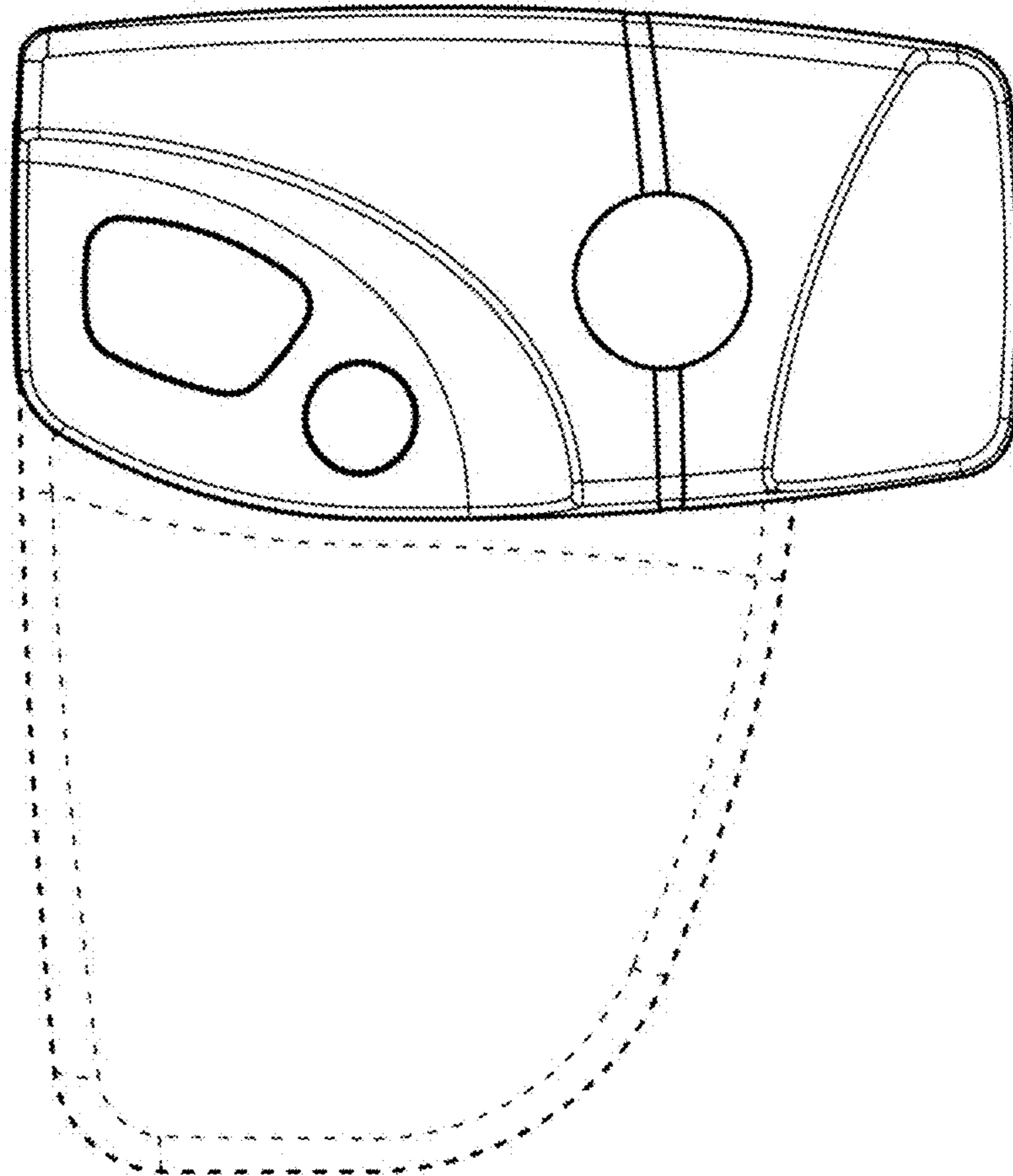
Left



1.6



1.7



1.8

