



US00D913502S

(12) **United States Design Patent** (10) **Patent No.:** **US D913,502 S**
Lockenwitz (45) **Date of Patent:** **** Mar. 16, 2021**

(54) **BATTERY DRAWER** 7,076,075 B2 * 7/2006 Jorgensen H04R 25/602
381/323
(71) Applicant: **Oticon A/S, Smørum (DK)** D681,817 S * 5/2013 Marcher D24/174
8,767,990 B2 * 7/2014 Spragge H04R 25/602
381/322
(72) Inventor: **Christian Lockenwitz, Allerød (DK)** D757,944 S * 5/2016 Bishop D24/174
D757,945 S * 5/2016 Bishop D24/174
(73) Assignee: **OTICON A/S, Smørum (DK)** 2008/0044049 A1 * 2/2008 Ho H04R 25/602
381/323
(**) Term: **15 Years** 2011/0200218 A1 * 8/2011 Borregaard H04R 25/602
381/323

(21) Appl. No.: **29/692,187**

(22) Filed: **May 23, 2019**

(30) **Foreign Application Priority Data**

Nov. 26, 2018 (EM) 005834561-0001
Nov. 26, 2018 (EM) 005834561-0002

(51) **LOC (13) Cl.** **24-99**

(52) **U.S. Cl.**
USPC **D24/174**

(58) **Field of Classification Search**
USPC D13/102-106, 110, 118-119, 154, 156,
D13/184; D24/174
CPC Y02E 60/12; Y02E 60/122; Y02E 60/124;
Y02E 60/50; H01M 2/02; H01M 2/022;
H01M 2/0202; H01M 2/0207; H01M
2/0212; H01M 2/1061; H01M 2/1022;
H01M 2/1055; H01M 2/1066; H01M
2/105; H01M 2/204; H01M 10/4257;
H01M 10/0436; H01M 10/48; H04R
25/00

See application file for complete search history.

(56) **References Cited**

U.S. PATENT DOCUMENTS

D354,568 S * 1/1995 Araki D24/174
6,546,110 B1 * 4/2003 Vonlanthen H04R 25/556
381/314
6,658,125 B1 * 12/2003 Batting H04R 25/602
381/322

(Continued)

Primary Examiner — Catherine S Posthauer

Assistant Examiner — Alison M Ofstun

(74) *Attorney, Agent, or Firm* — Birch, Stewart, Kolasch
& Birch, LLP

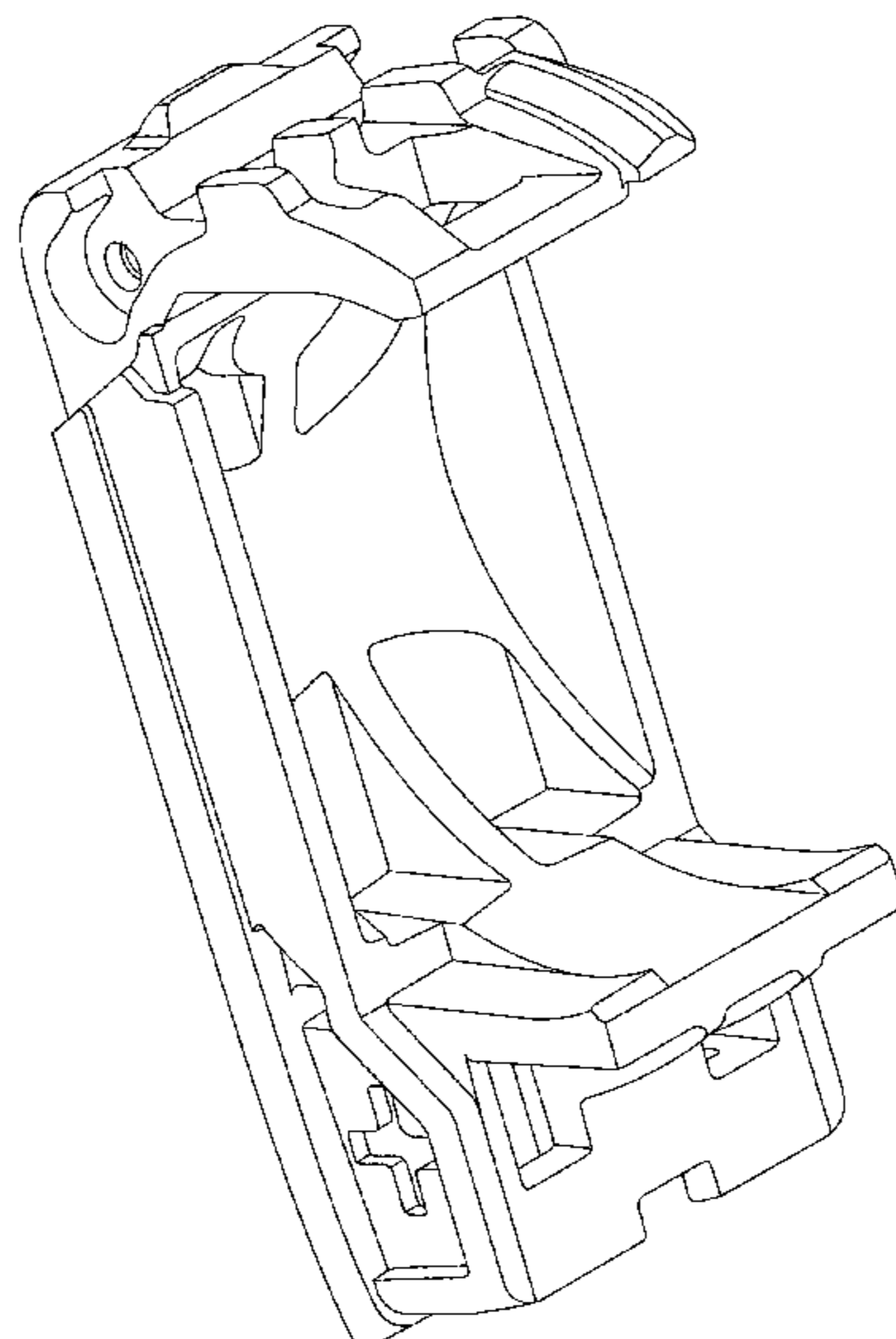
(57) **CLAIM**

The ornamental design for a battery drawer, as shown and described.

DESCRIPTION

FIG. 1 is a left perspective view of a first embodiment of a battery drawer showing my new design;
FIG. 2 is a right perspective view thereof;
FIG. 3 is a rear view thereof;
FIG. 4 is a front view thereof;
FIG. 5 is a left side view thereof;
FIG. 6 is a right side view thereof;
FIG. 7 is a top view thereof;
FIG. 8 is a bottom view thereof;
FIG. 9 is a left perspective view of a second embodiment of a battery drawer;
FIG. 10 is a right perspective view thereof;
FIG. 11 is a rear view thereof;
FIG. 12 is a front view thereof;
FIG. 13 is a left side view thereof;
FIG. 14 is a right side thereof;
FIG. 15 is a top view thereof; and,
FIG. 16 is a bottom view thereof.

1 Claim, 16 Drawing Sheets



(56)

References Cited

U.S. PATENT DOCUMENTS

2014/0177893 A1* 6/2014 Lu H04R 25/556
381/323
2015/0249895 A1* 9/2015 Etwil H04R 1/10
381/323
2017/0142531 A1* 5/2017 Crook H04R 25/602

* cited by examiner

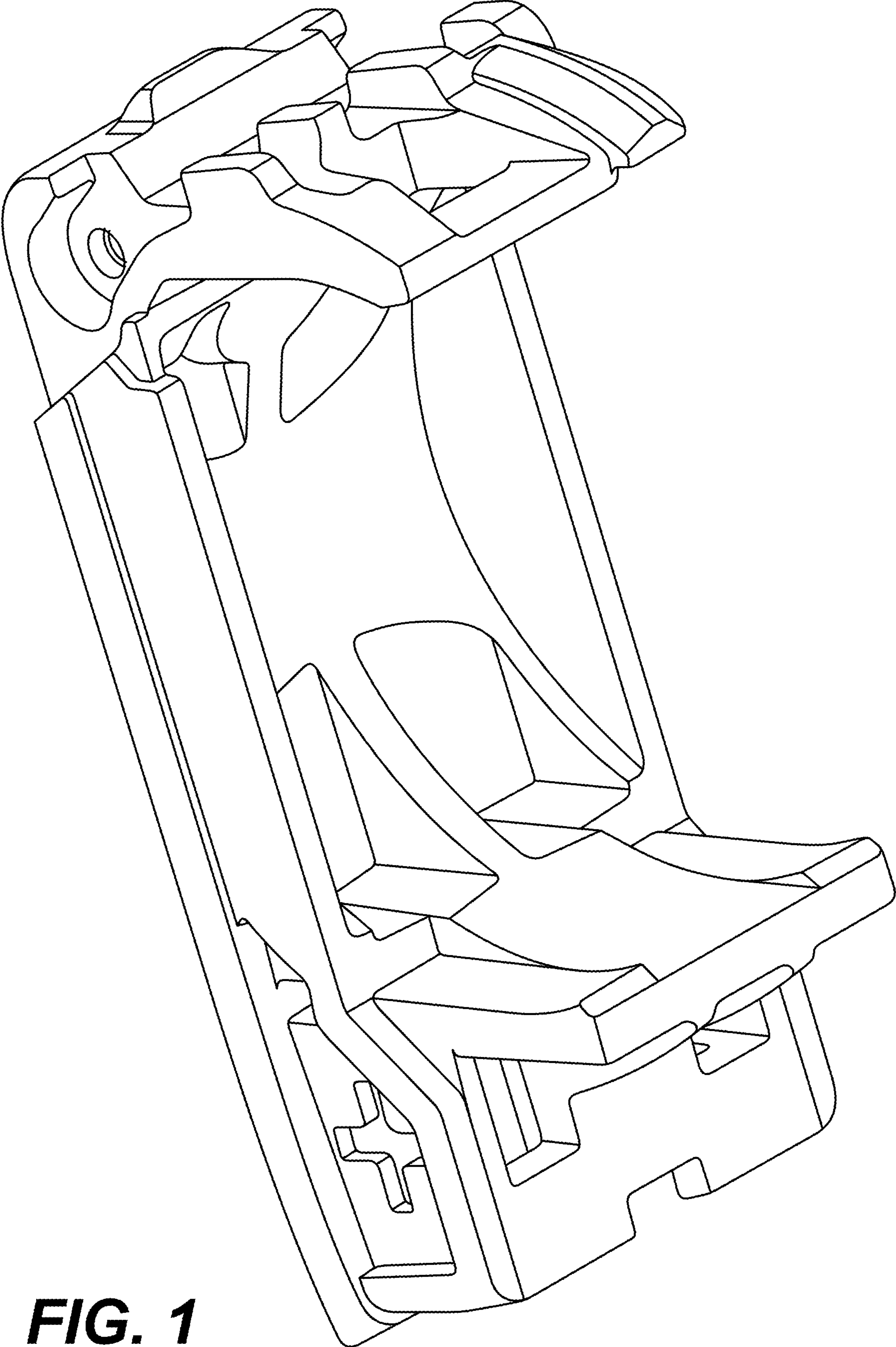


FIG. 1

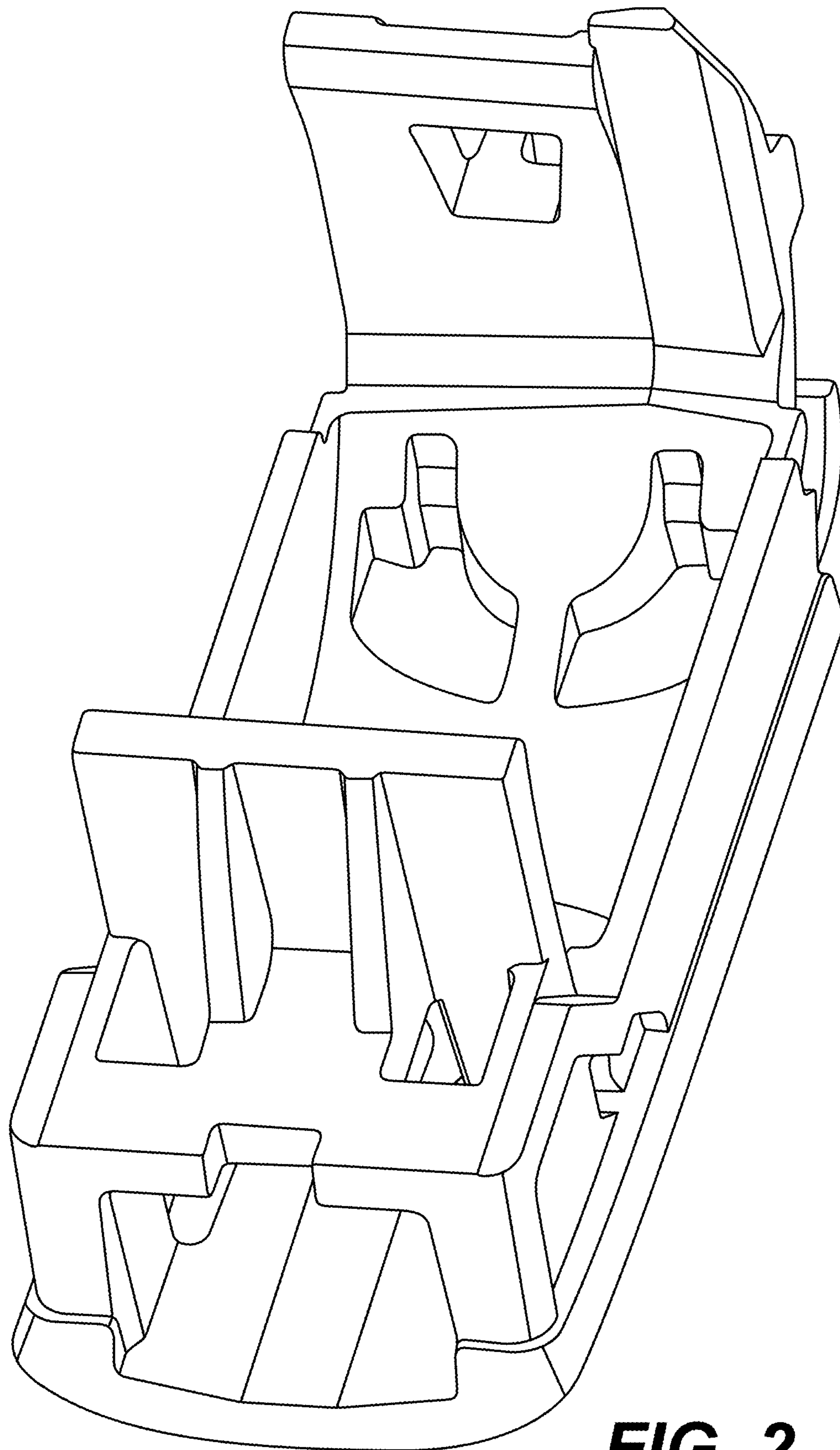


FIG. 2

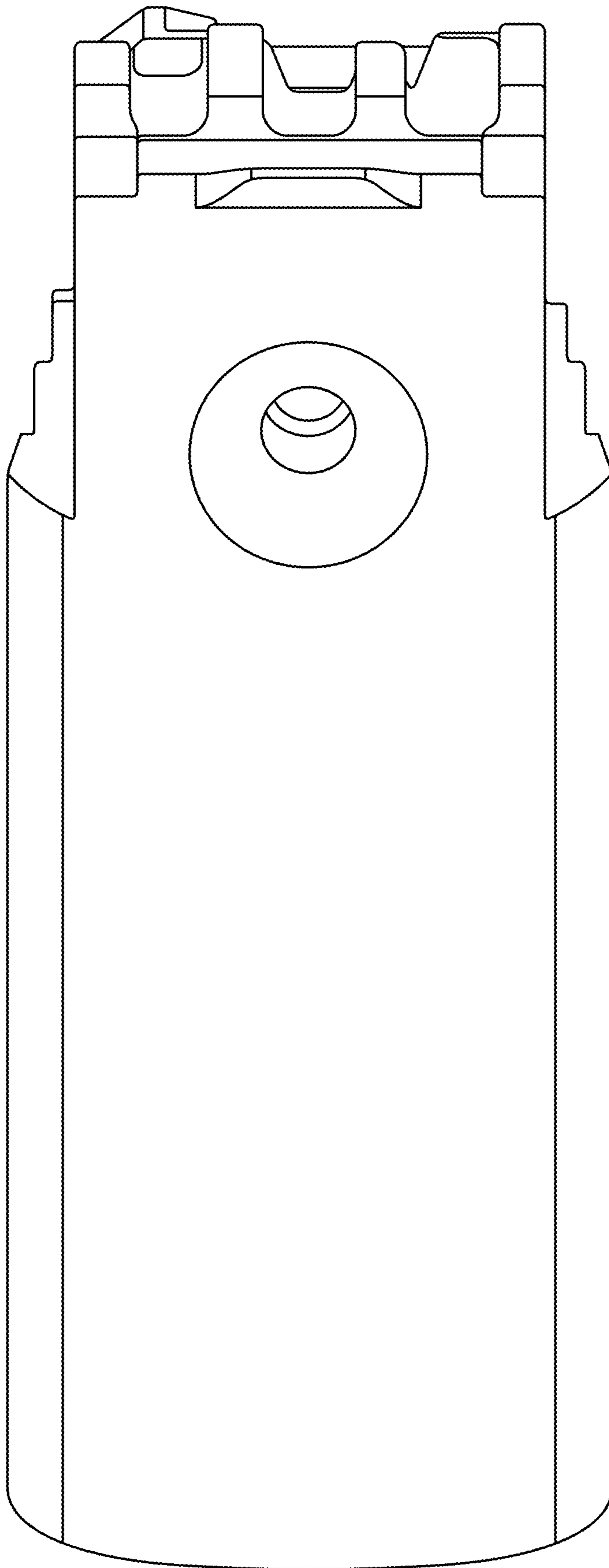


FIG. 3

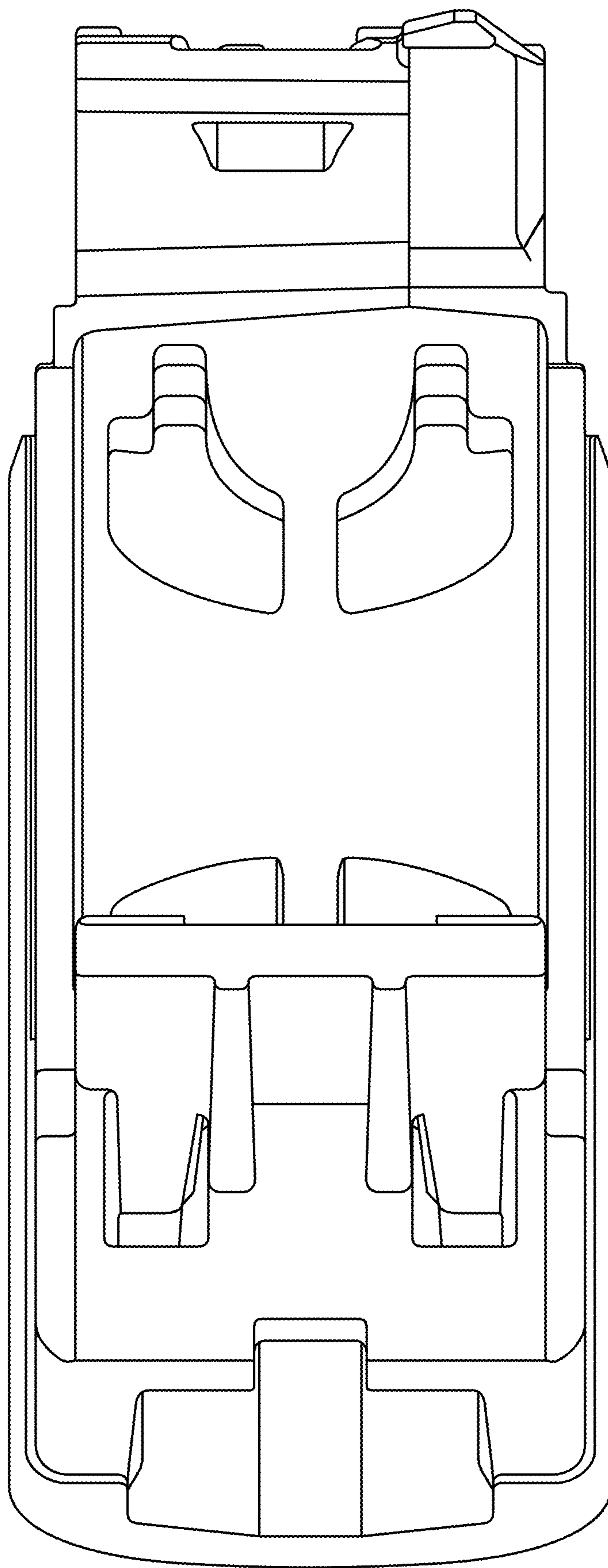


FIG. 4

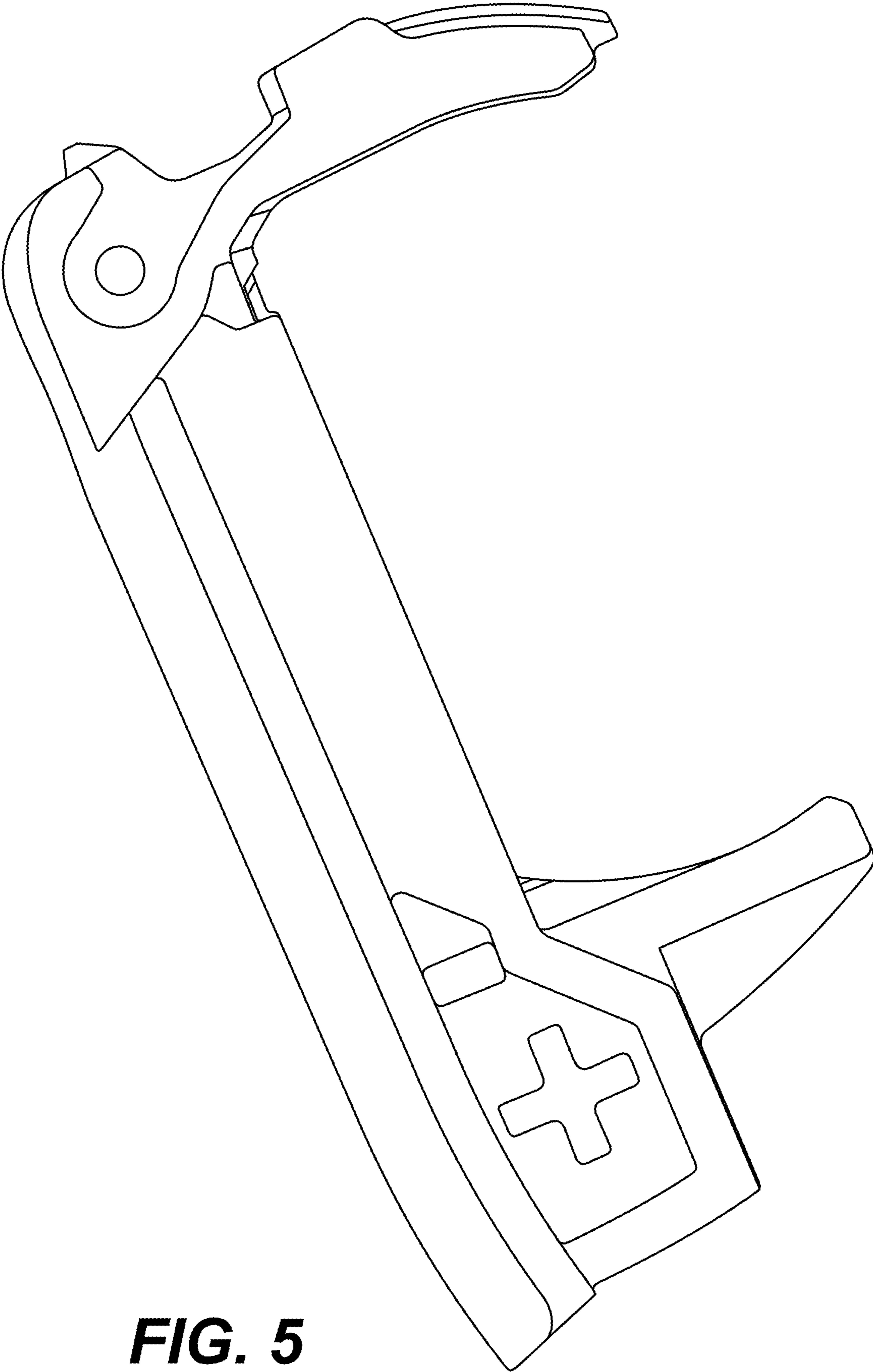


FIG. 5

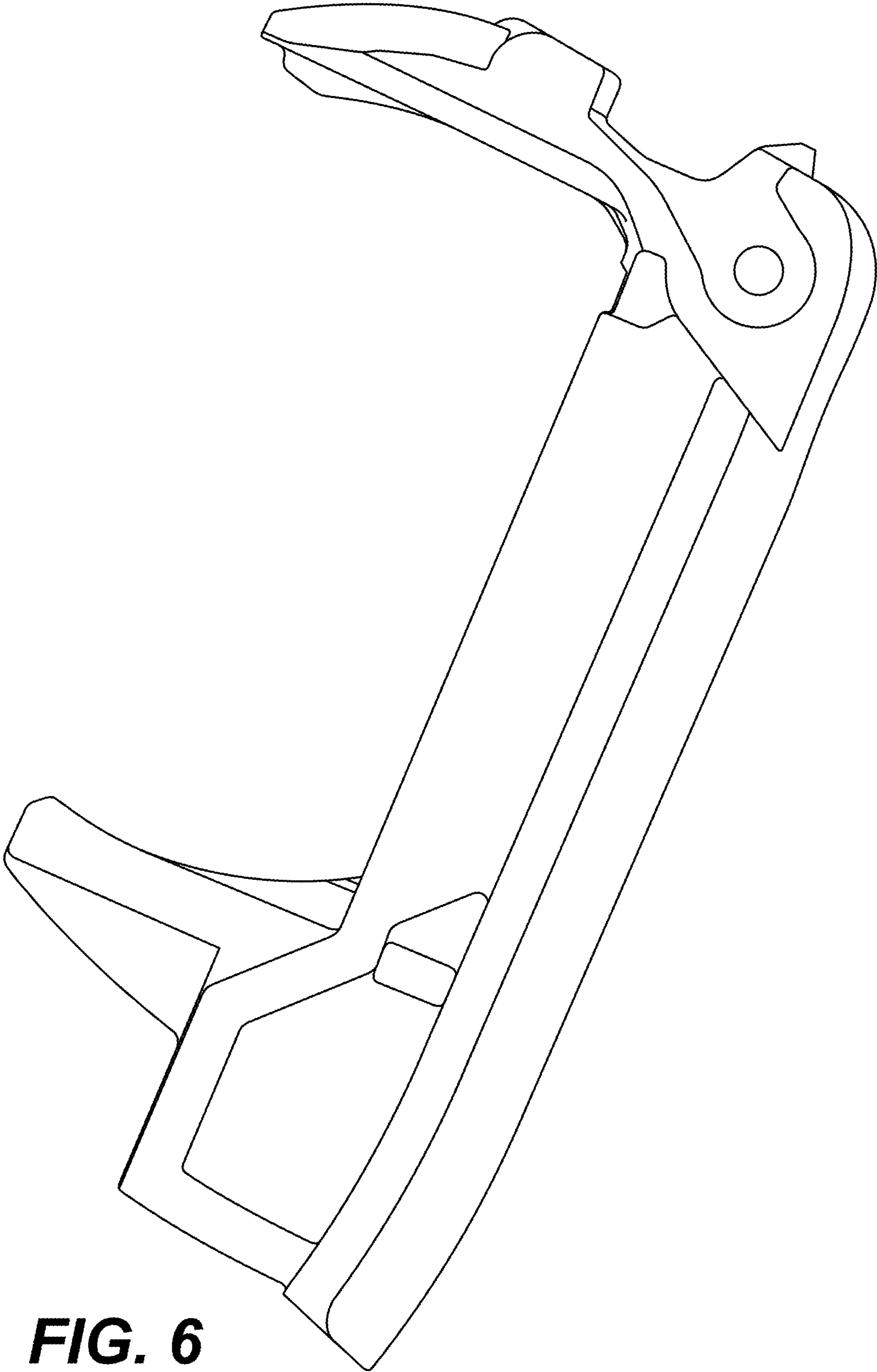


FIG. 6

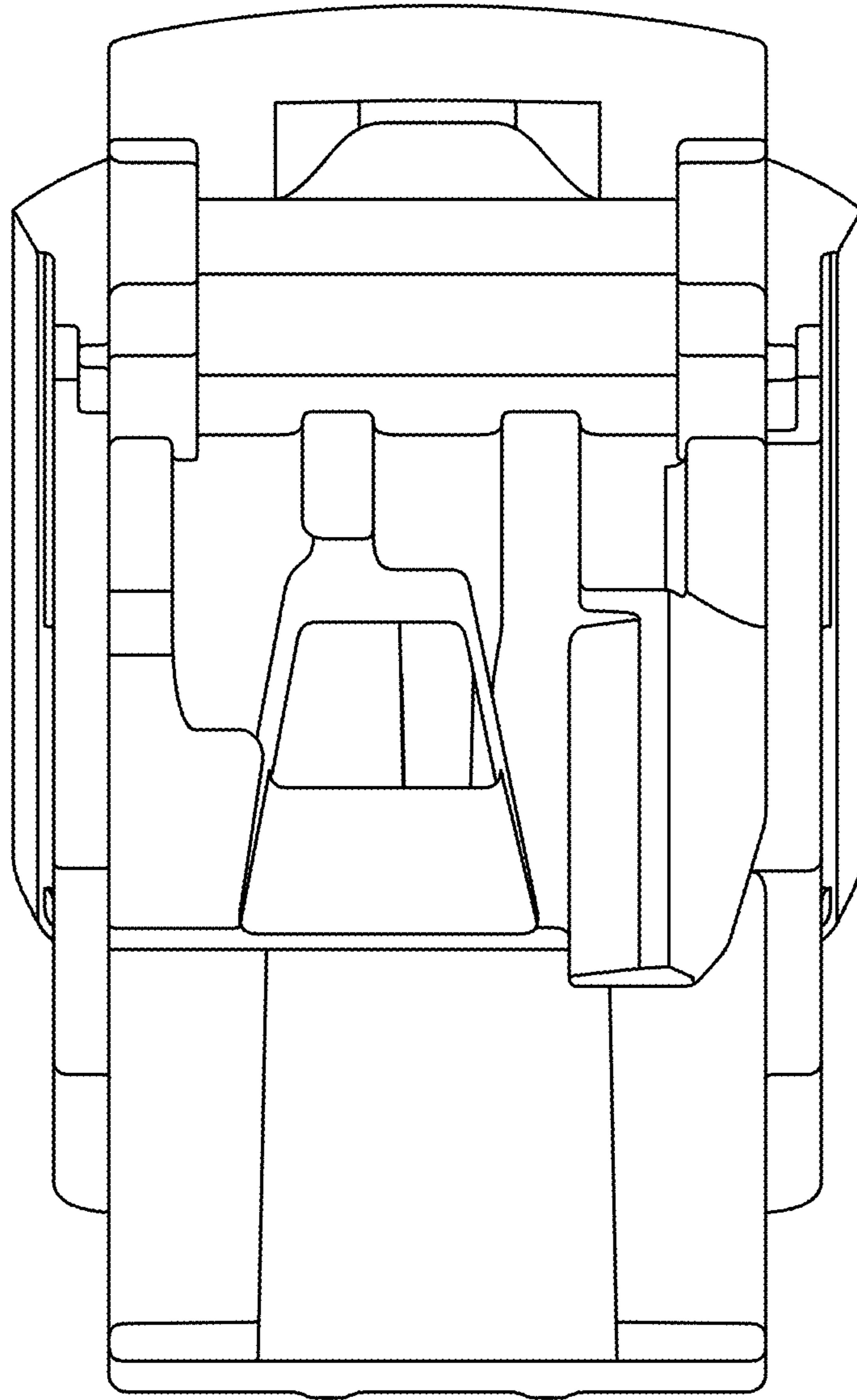


FIG. 7

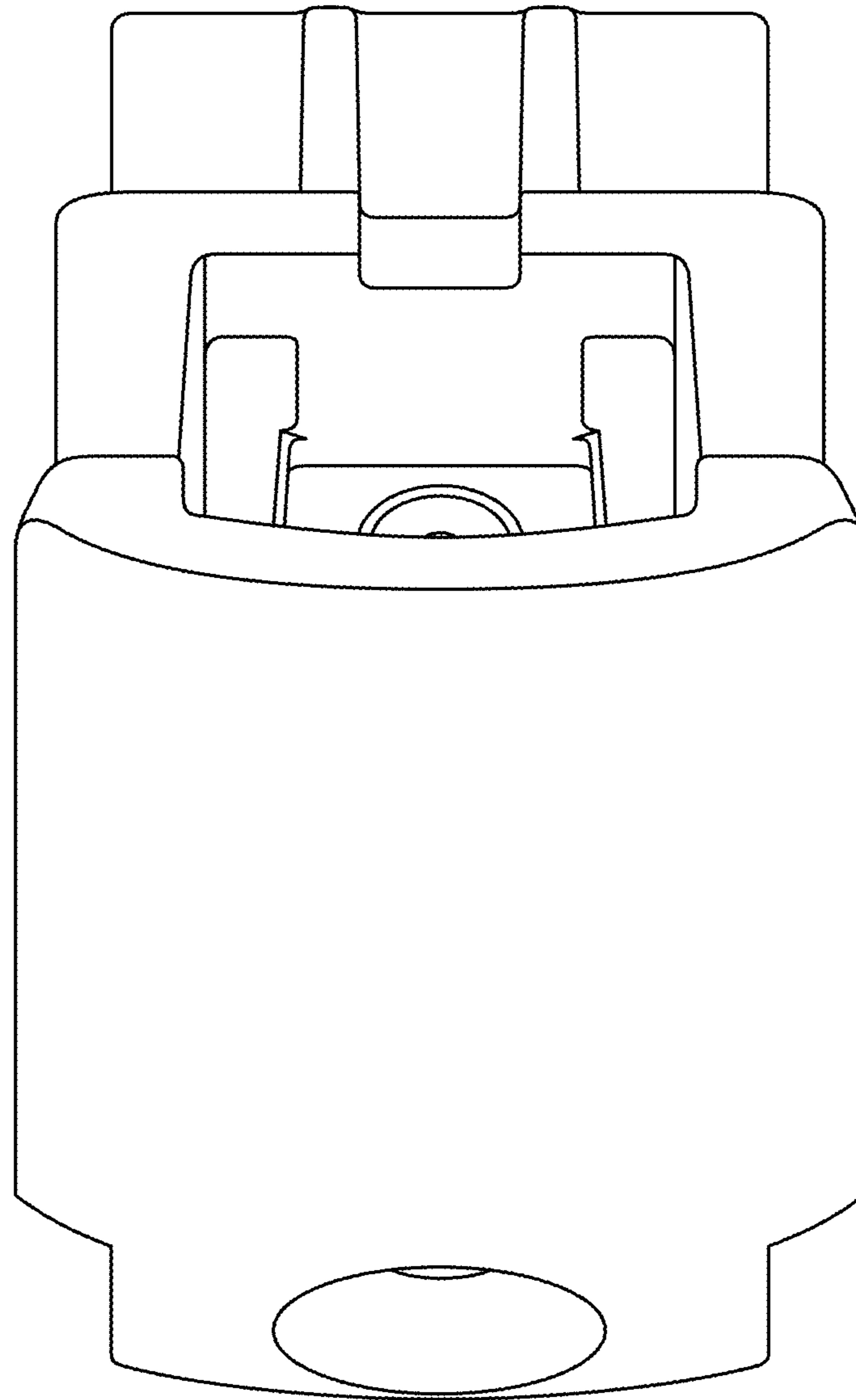


FIG. 8

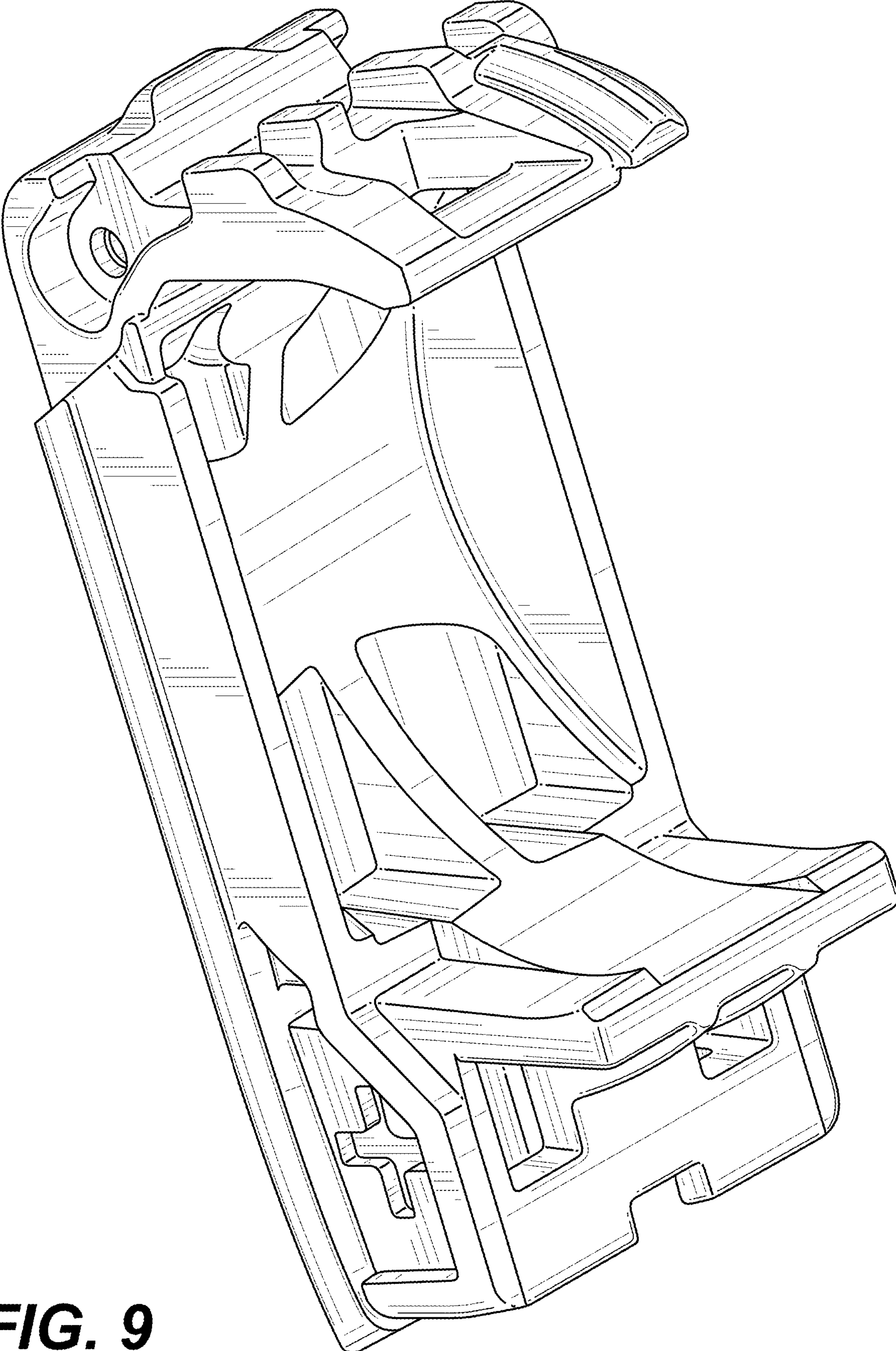


FIG. 9

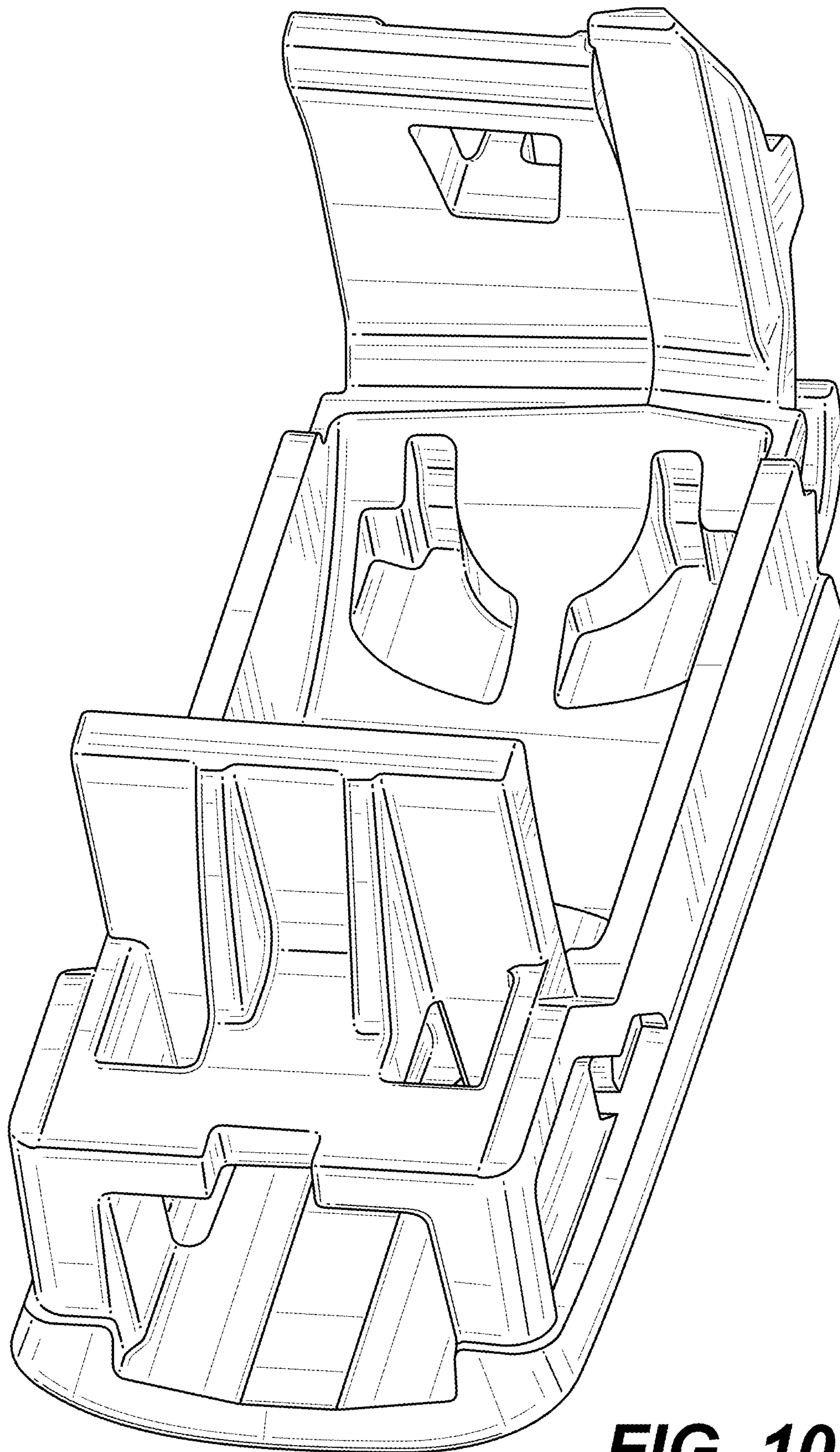


FIG. 10

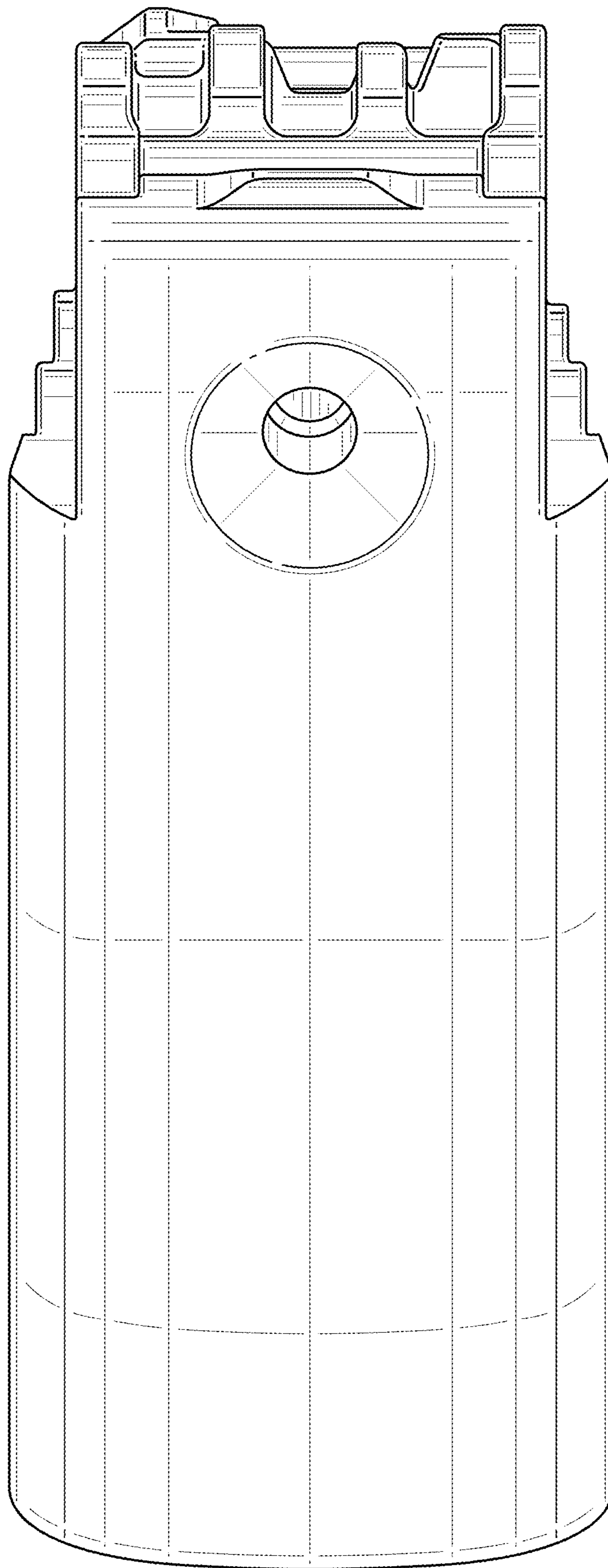


FIG. 11

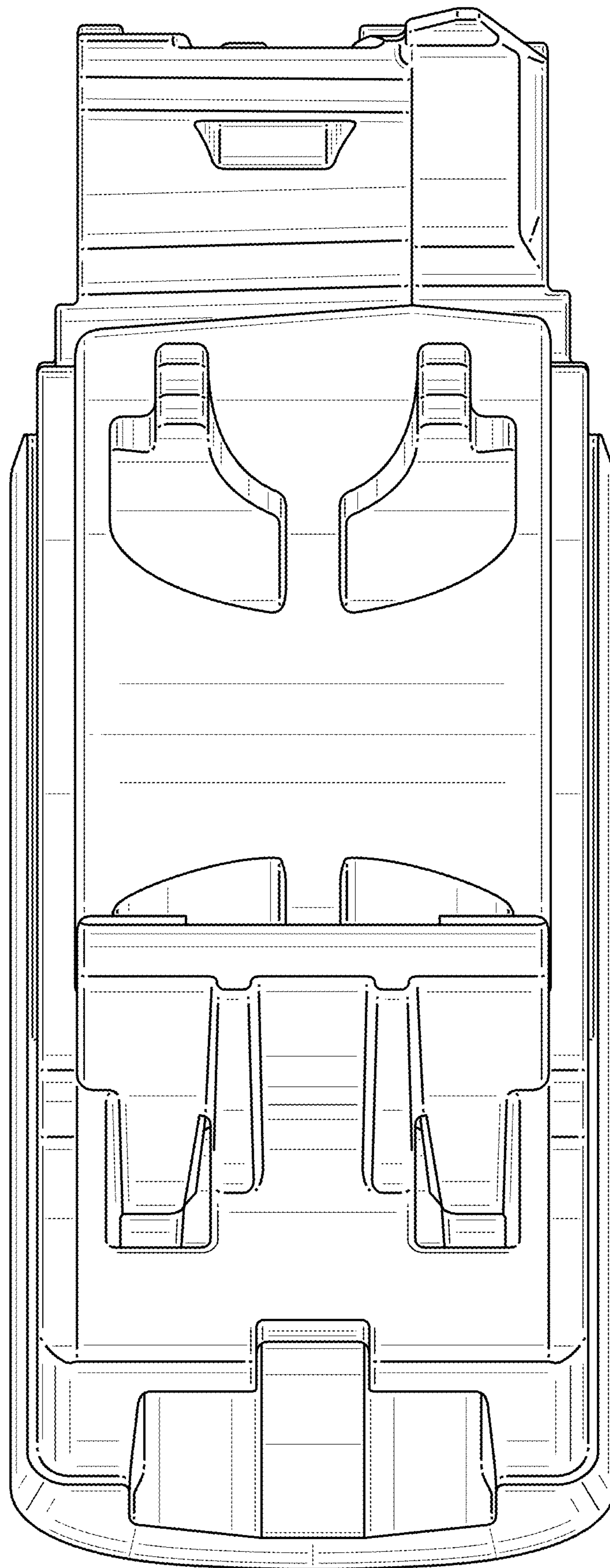


FIG. 12

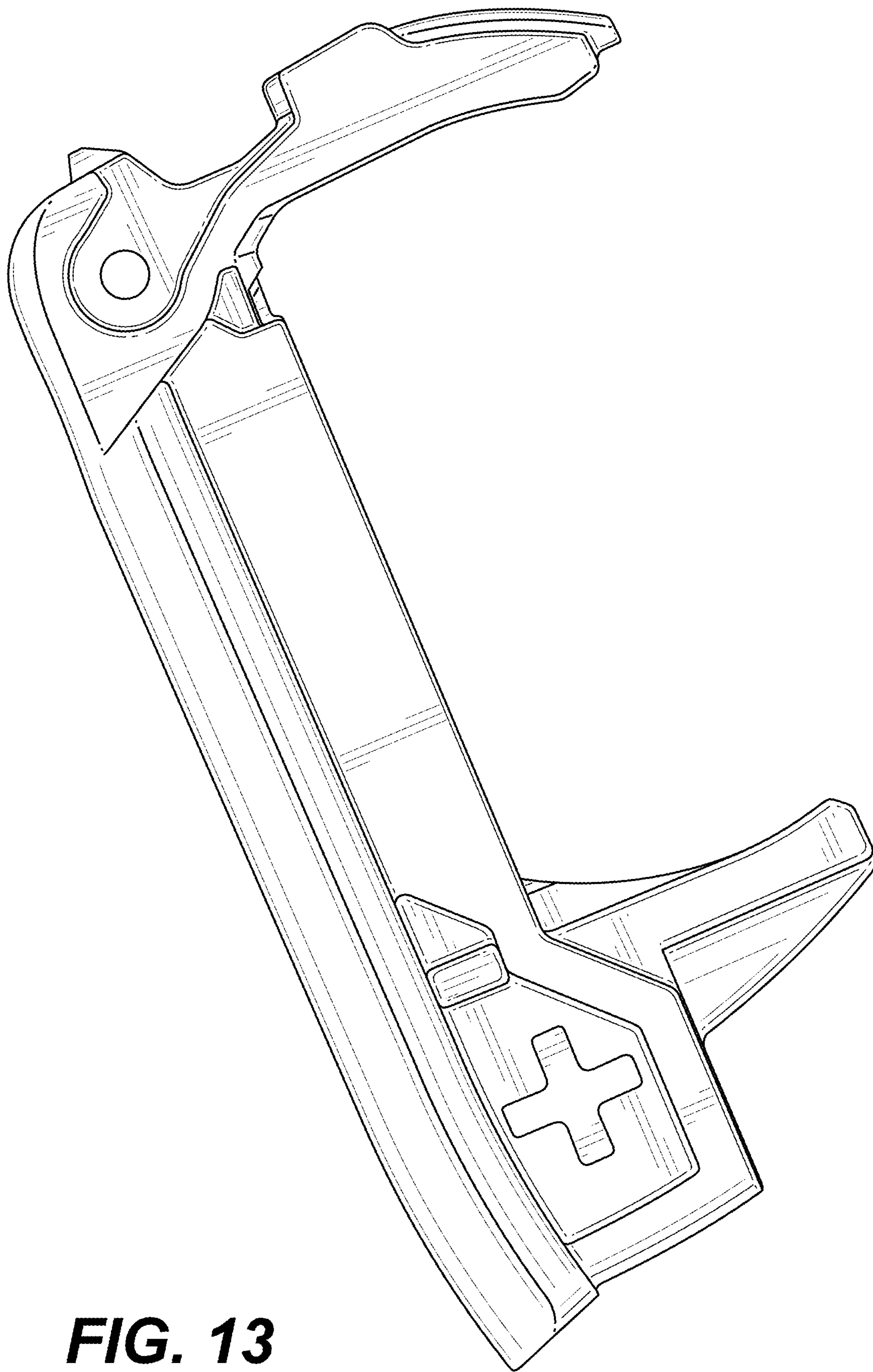


FIG. 13

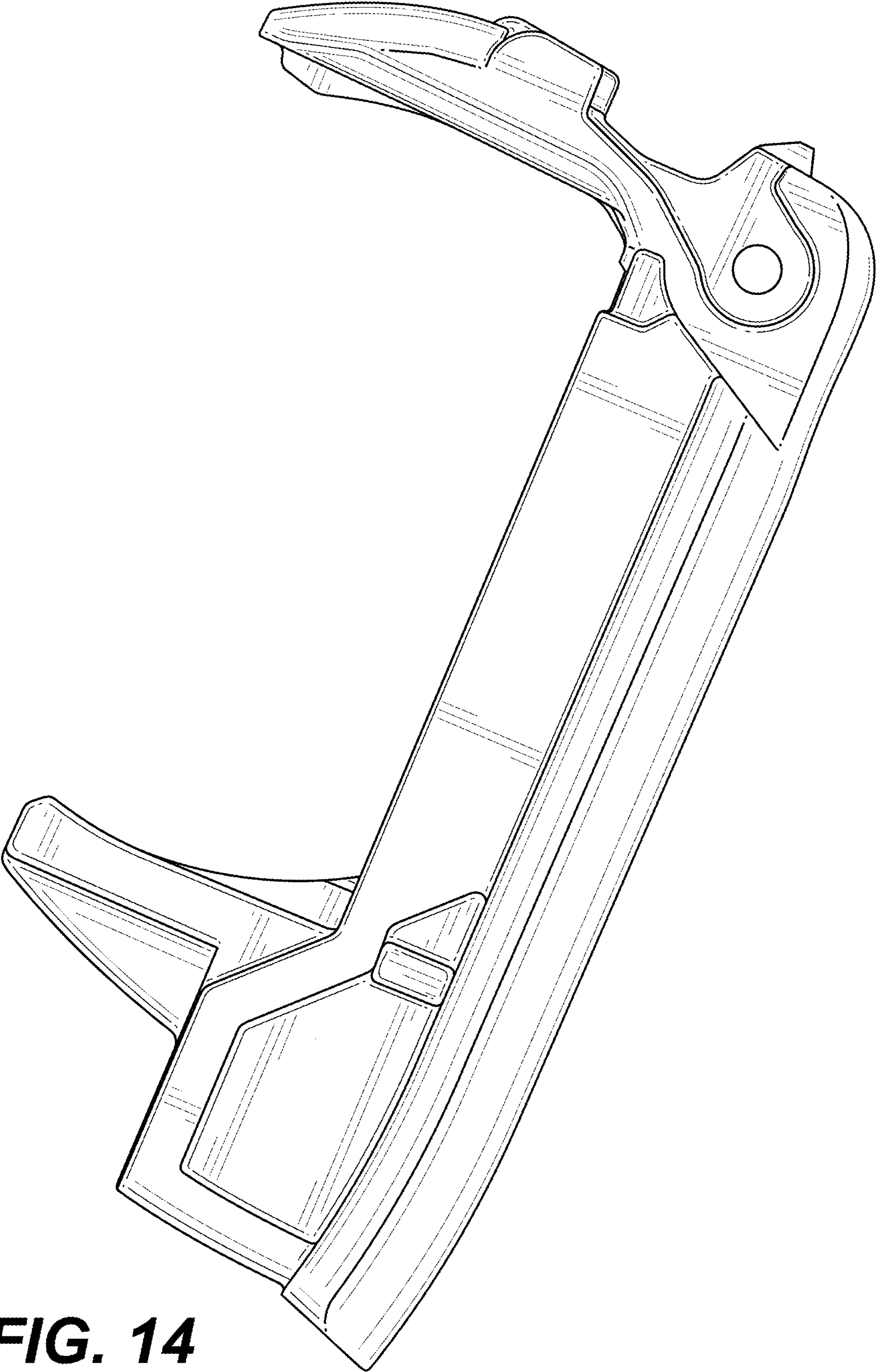


FIG. 14

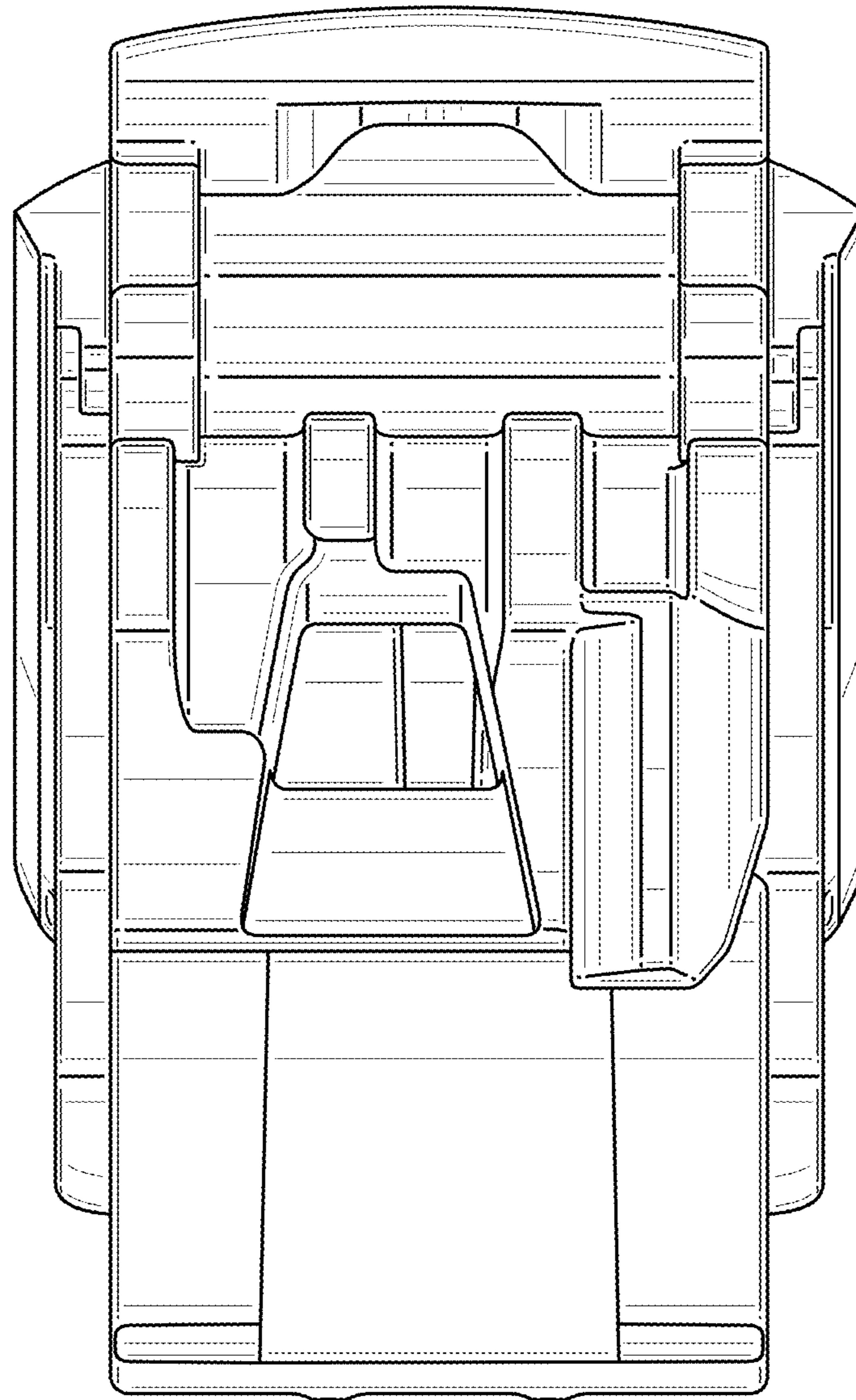


FIG. 15

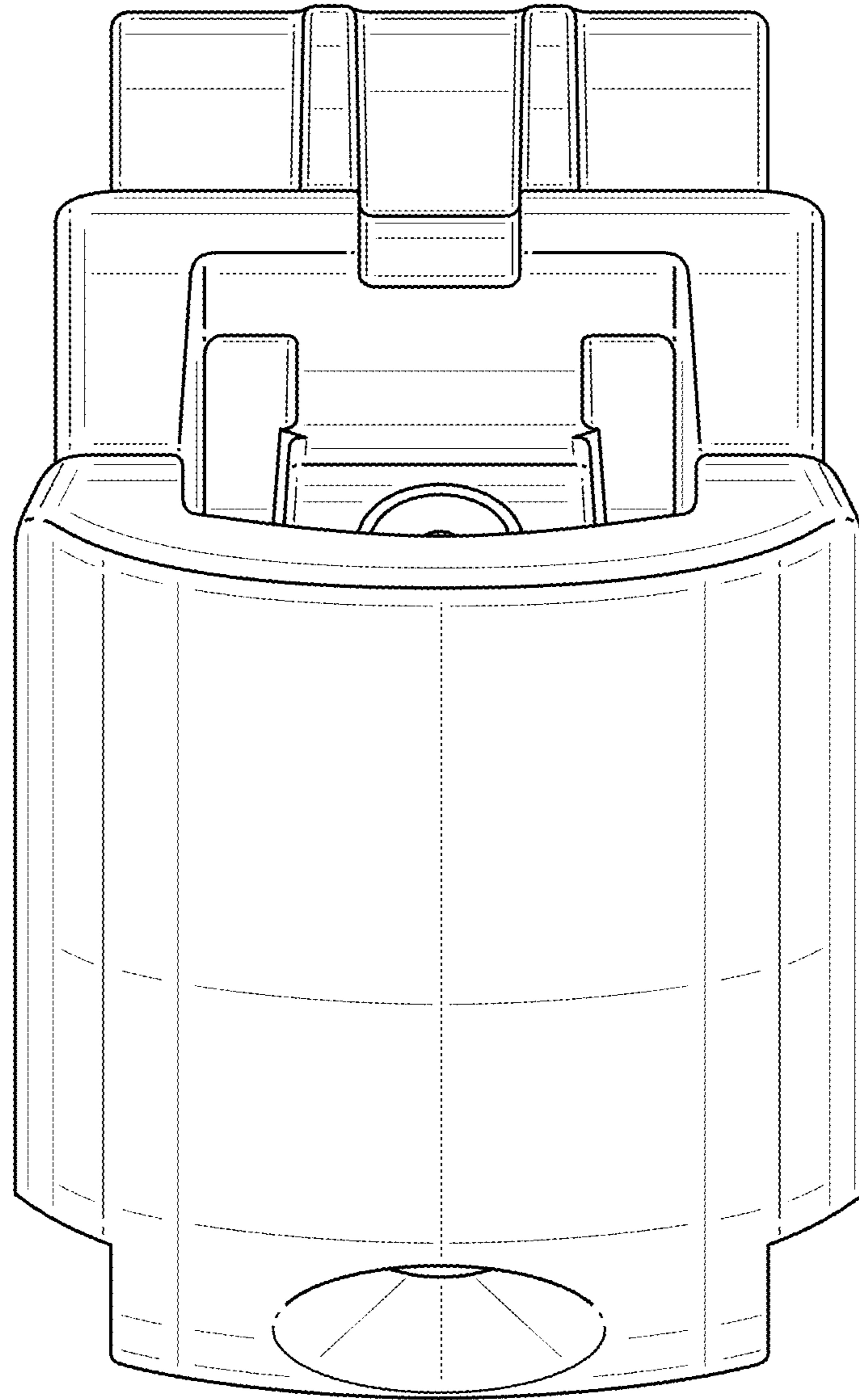


FIG. 16