



US00D913501S

(12) **United States Design Patent**
Uzawa et al.

(10) **Patent No.:** **US D913,501 S**

(45) **Date of Patent:** **** Mar. 16, 2021**

(54) **RESPONSE SWITCH FOR AUDIOMETER**

(71) Applicant: **RION Co., Ltd.**, Tokyo (JP)

(72) Inventors: **Masatoshi Uzawa**, Tokyo (JP);
Yoshimasa Maki, Tokyo (JP)

(**) Term: **15 Years**

(21) Appl. No.: **35/507,976**

(22) Filed: **Oct. 11, 2018**

(80) **Hague Agreement Data**

Int. Filing Date: **Oct. 11, 2018**

Int. Reg. No.: **DM/204435**

Int. Reg. Date: **Oct. 11, 2018**

Int. Reg. Pub. Date: **Dec. 6, 2019**

(51) **LOC (13) Cl.** **24-99**

(52) **U.S. Cl.**
USPC **D24/173; D14/218**

(58) **Field of Classification Search**
USPC D24/173; D13/168, 158, 162, 164, 184;
D10/104, 106; D14/138, 218, 247
CPC A61B 5/121; A61B 5/12; A61B 5/04845
See application file for complete search history.

(56) **References Cited**

U.S. PATENT DOCUMENTS

D353,579 S * 12/1994 Rao D13/171
D560,617 S * 1/2008 Poulet D13/158

D792,359 S * 7/2017 Nakagawa D13/168
D793,367 S * 8/2017 Kato D14/218
D798,272 S * 9/2017 Desagre D14/218
D818,971 S * 5/2018 Peng D13/171
D828,337 S * 9/2018 Li D14/218
D850,414 S * 6/2019 Desagre D14/218
D856,333 S * 8/2019 Ruegg D14/388
D868,040 S * 11/2019 Desagre D14/218
D873,270 S * 1/2020 Ruegg D14/388

* cited by examiner

Primary Examiner — Michael A. Pratt

(57) **CLAIM**

The ornamental design for a response switch for audiometer, as shown and described.

DESCRIPTION

1. Response switch for audiometer

1.1 : Perspective

1.2 : Perspective

1.3 : Front

1.4 : Back

1.5 : Top

1.6 : Bottom

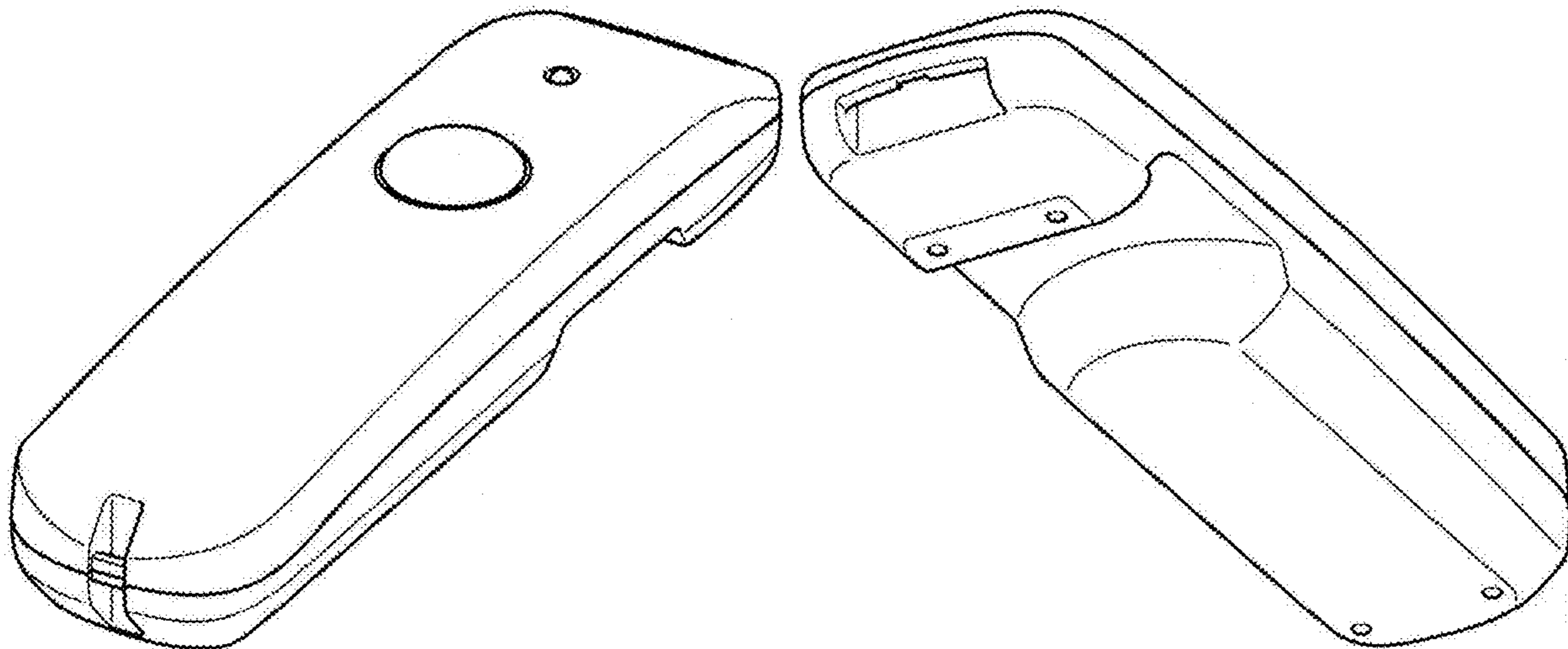
1.7 : Left

1.8 : Right

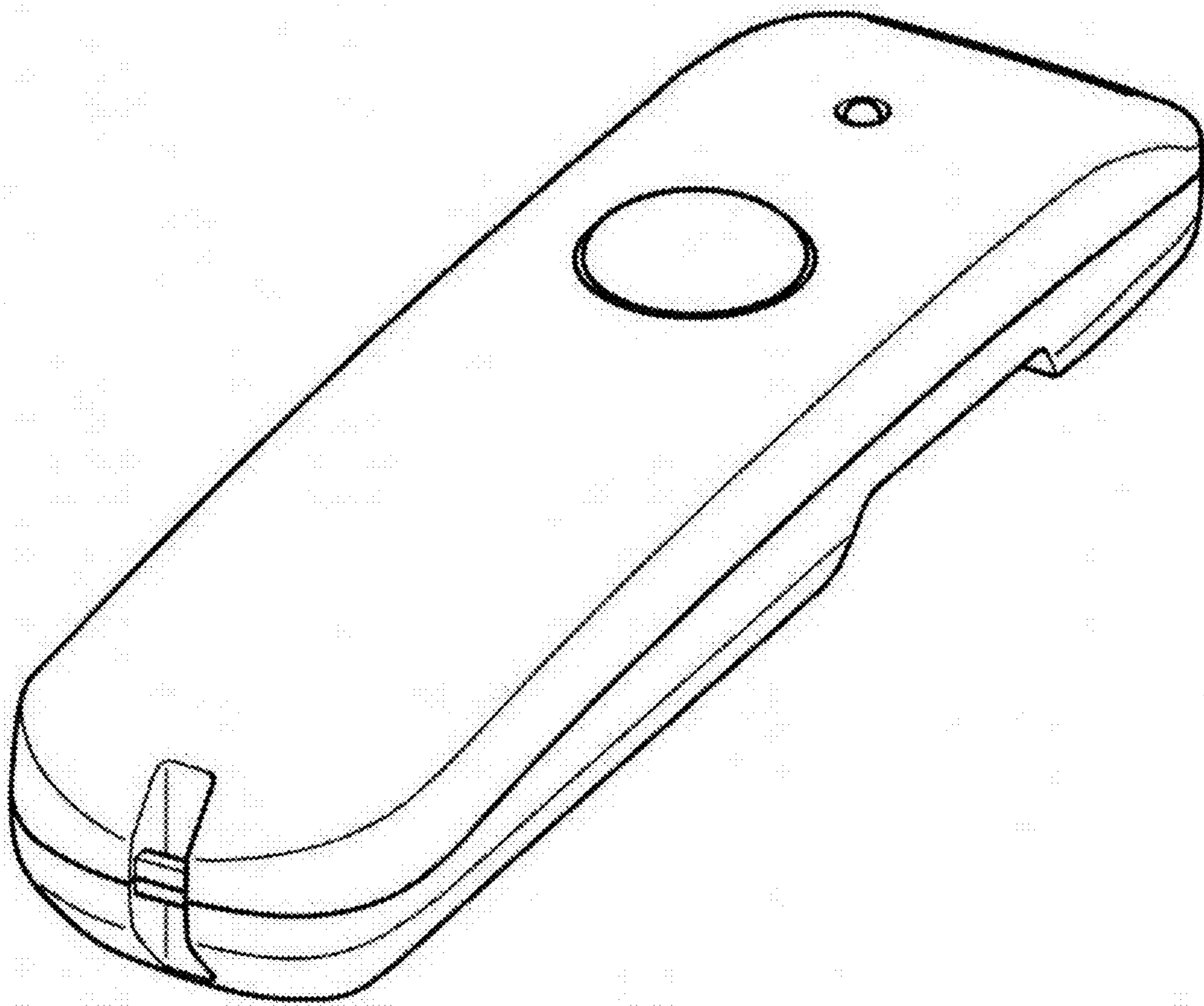
1.9 : Cross sectional

The product is for audiological tests; when the examinee hears the test sound, the examinee pushes down the center button shown in the front view of the subject design to inform the examiner that the sound is heard; fig. 1.9 is a cross-sectional view taken along A-A' line shown in fig. 1.3.

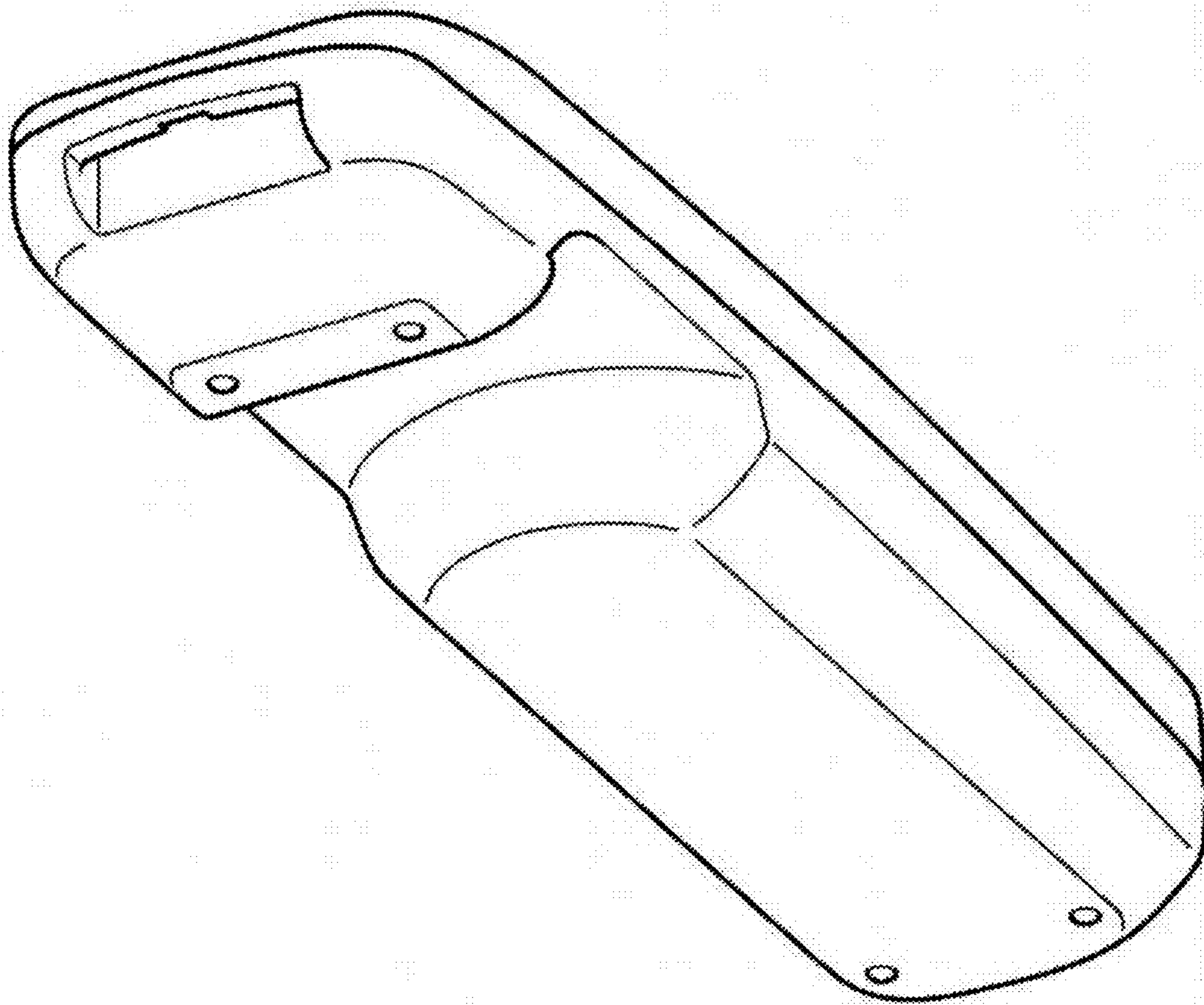
1 Claim, 9 Drawing Sheets



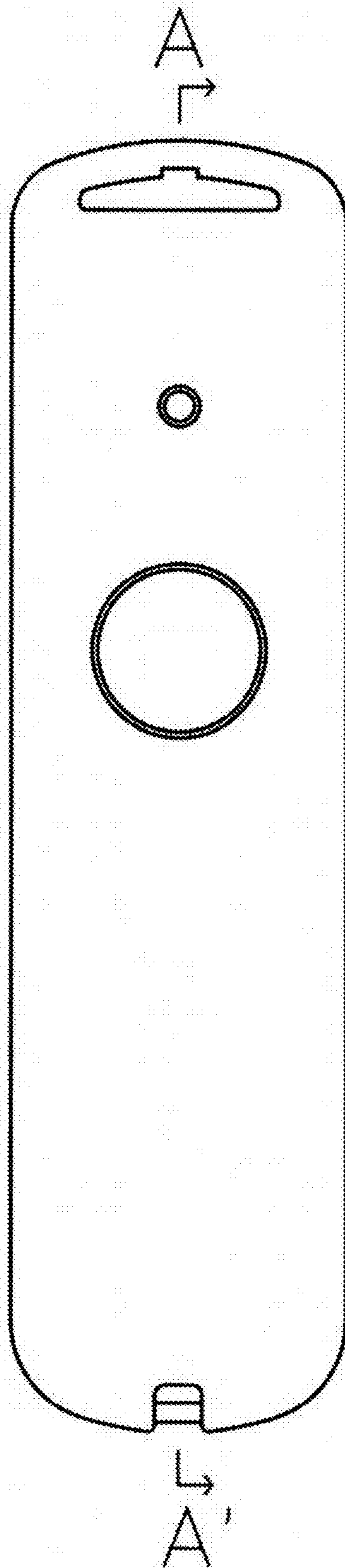
1.1



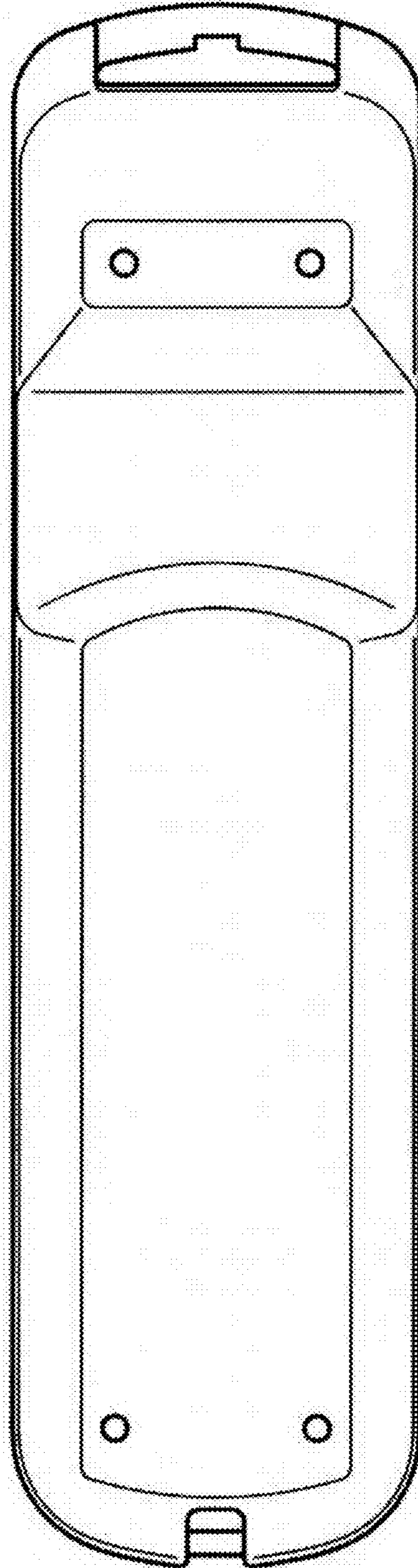
1.2



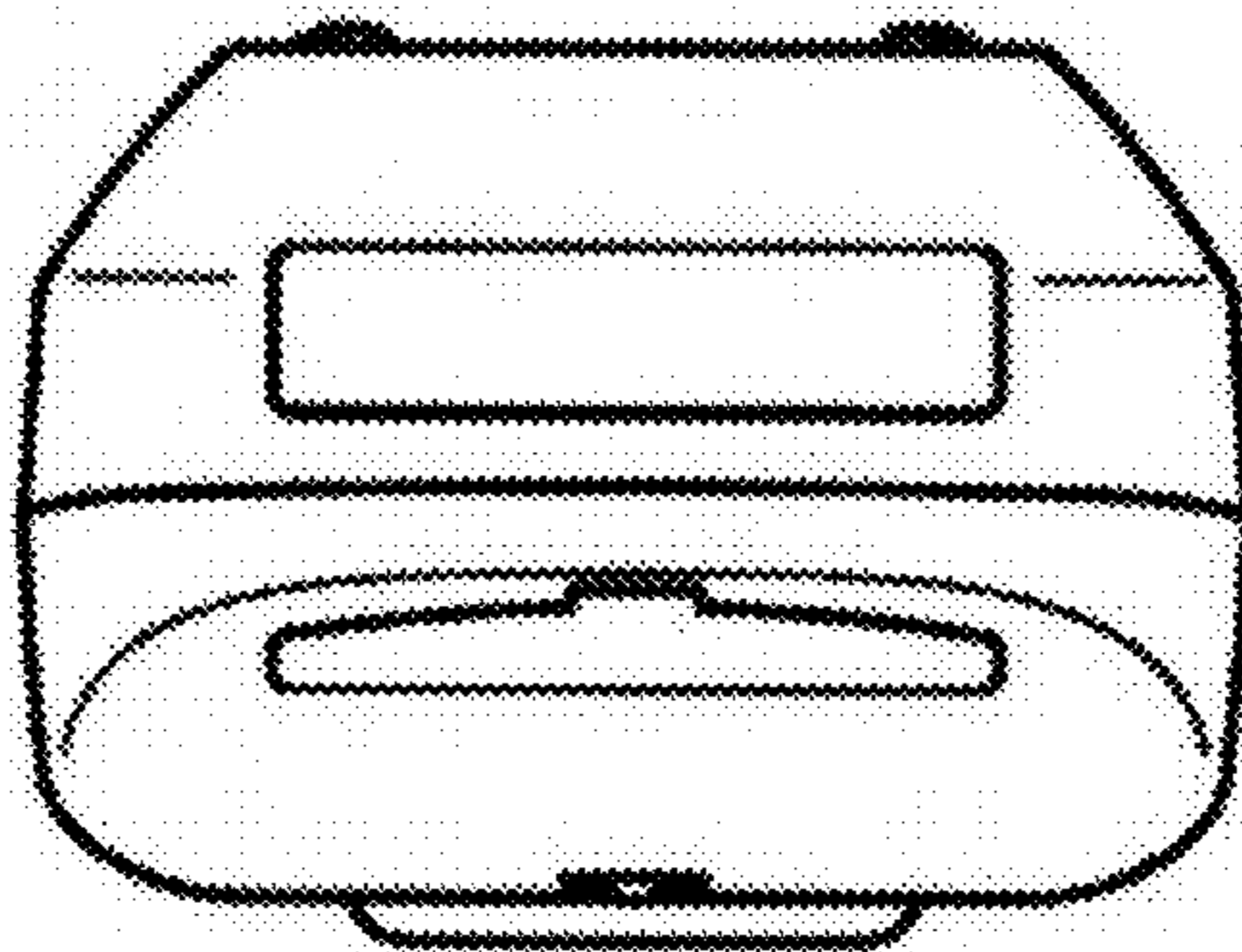
1.3



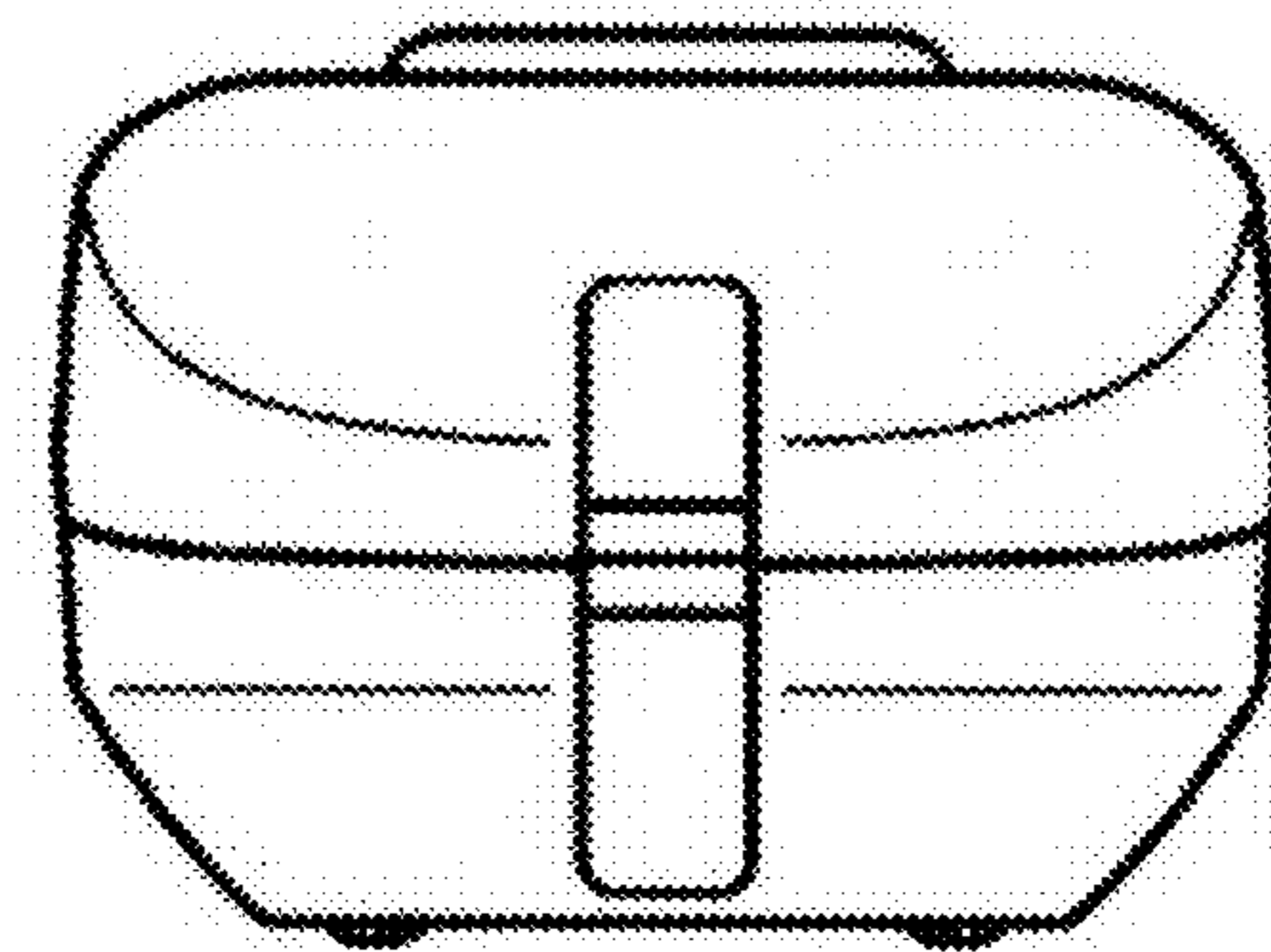
1.4



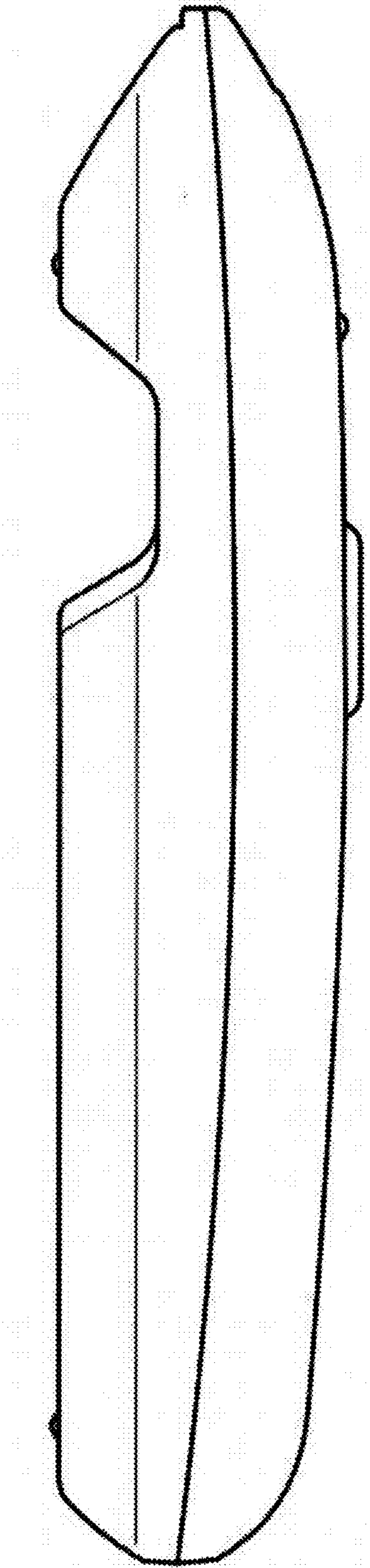
1.5



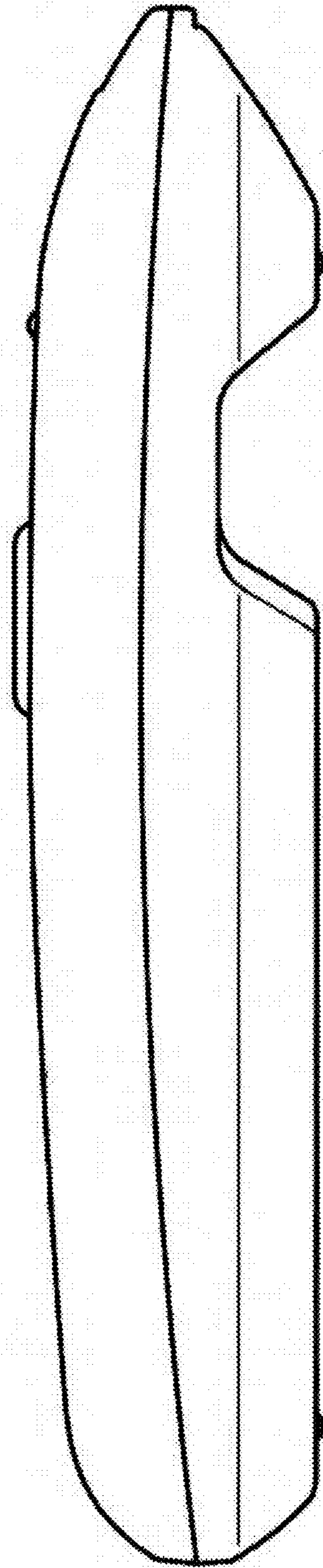
1.6



1.7



1.8



1.9

