



US00D913500S

(12) **United States Design Patent**
Hwang

(10) **Patent No.:** **US D913,500 S**
(45) **Date of Patent:** **** Mar. 16, 2021**

(54) **ELECTROCARDIOGRAPHIC DEVICE**
(71) Applicant: **HEXACHECK INC.**, Daejeon (KR)
(72) Inventor: **In-Duk Hwang**, Sejong (KR)
(73) Assignee: **HEXACHECK INC.**, Daejeon (KR)
(**) Term: **15 Years**

2010/0219841 A1* 9/2010 Feldkamp A61B 5/02007
324/655
2011/0208076 A1* 8/2011 Fong G16H 40/67
600/509
2012/0296174 A1* 11/2012 McCombie A61B 5/0404
600/301
2013/0172766 A1* 7/2013 Chen A61B 5/6826
600/519
2017/0049340 A1* 2/2017 Cho A61B 5/6898

(21) Appl. No.: **35/507,764**

(22) Filed: **Jun. 1, 2019**

(80) **Hague Agreement Data**

Int. Filing Date: **Jun. 1, 2019**
Int. Reg. No.: **DM/203933**
Int. Reg. Date: **Jun. 1, 2019**
Int. Reg. Pub. Date: **Nov. 15, 2019**

(51) **LOC (13) Cl.** **24-02**

(52) **U.S. Cl.**
USPC **D24/167**

(58) **Field of Classification Search**
USPC D24/107, 133, 167, 168, 186, 187, 200
CPC A61B 5/0404; A61B 2560/0431
See application file for complete search history.

(56) **References Cited**

U.S. PATENT DOCUMENTS

6,105,923 A * 8/2000 Robertson A45F 5/02
224/257
D608,451 S * 1/2010 Hanoun D24/186
D838,854 S * 1/2019 Lumme D24/167
D850,627 S * 6/2019 Purani D24/186
D868,974 S * 12/2019 Albert D24/167
D890,346 S * 7/2020 Lam D24/167
2003/0047575 A1* 3/2003 Enkerlin A45F 5/02
224/271
2010/0204552 A1* 8/2010 Yamamoto A61B 5/0404
600/301

OTHER PUBLICATIONS

“AliveCor KardiaMobile Phone Clip”. Found online Aug. 5, 2020 at store.alivecor.com. Reference dated Jul. 27, 2018. Retrieved from <https://store.alivecor.com/products/kardiamobile-phoneclip>.*

(Continued)

Primary Examiner — Kendra Leslie Hamilton
(74) *Attorney, Agent, or Firm* — IPLA P.A.

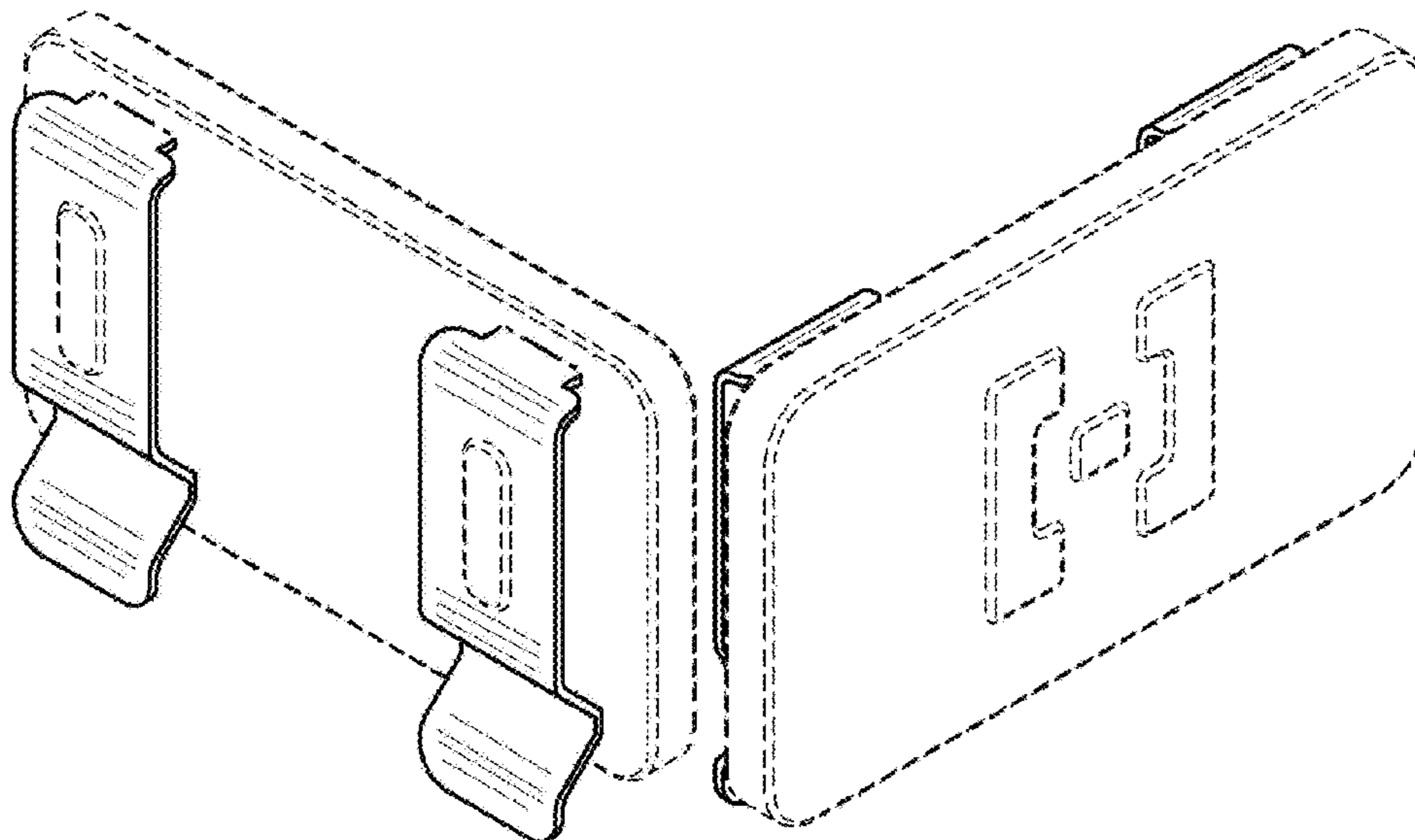
(57) **CLAIM**

The ornamental design for an electrocardiographic device, as shown and described.

DESCRIPTION

1. Electrocardiographic device
1.1 : is a top, front perspective view of an electrocardiographic device, showing my new design;
1.2 : is a front elevation view thereof;
1.3 : is a rear elevation view thereof;
1.4 : is a left side elevation view thereof;
1.5 : is a right side elevation view thereof;
1.6 : is a top plan view thereof;
1.7 : is a bottom plan view thereof; and,
1.8 : is a top, rear perspective view thereof.
In the drawings, the equal-length broken lines depict portions of the electrocardiographic device that form no part of the claimed design. The dash-dot-dash broken lines define the boundaries of the claimed design. All broken lines form no part of the claim.

1 Claim, 8 Drawing Sheets



(56)

References Cited

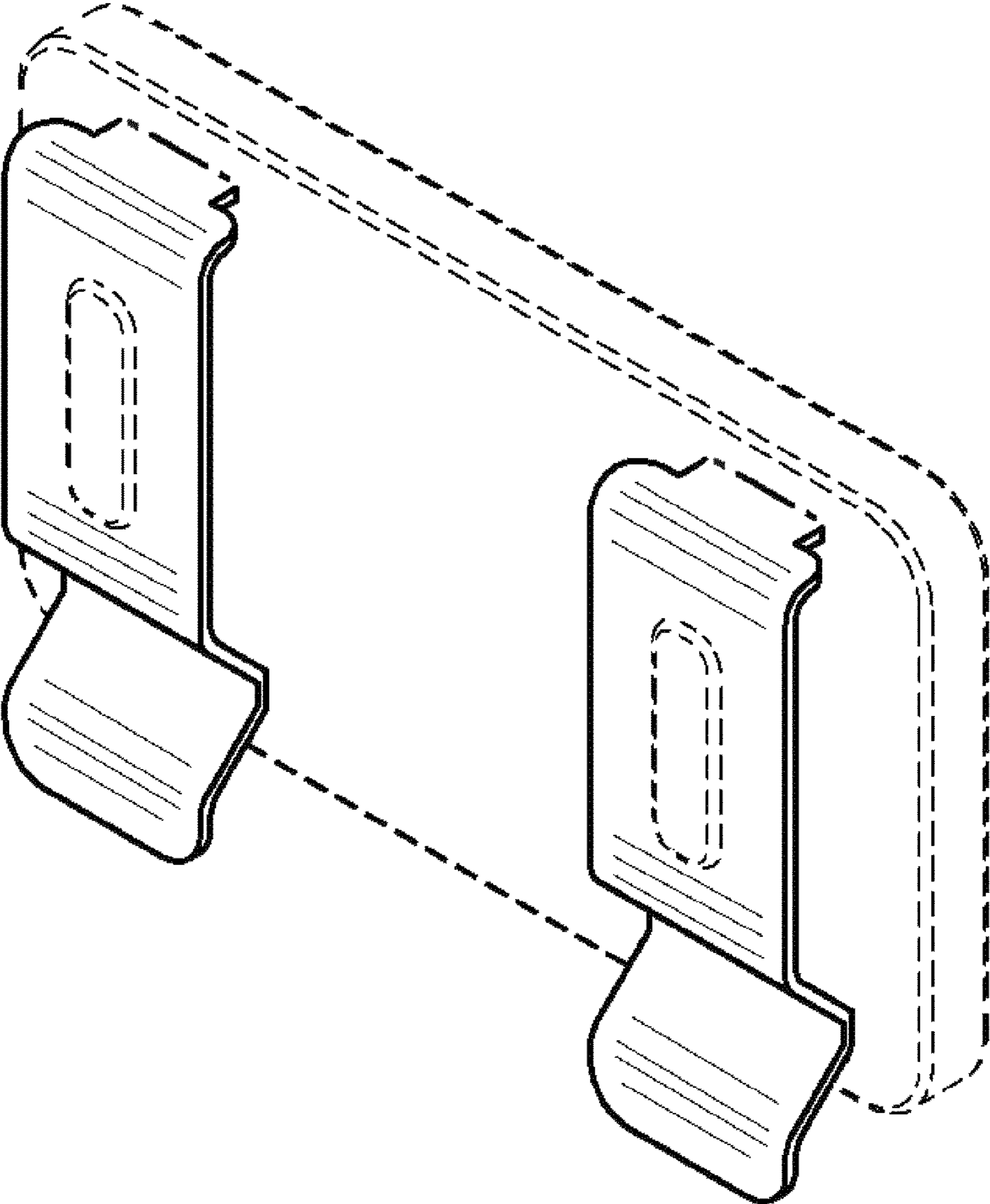
OTHER PUBLICATIONS

“DAIC: ECG Sensors on Smartphones Detect Atrial Fibrillation in the General Adult Public”. Found online Aug. 5, 2020 at [dicardiology.com](https://www.dicardiology.com). Reference dated May 15, 2015. Retrieved from <https://www.dicardiology.com/article/ecg-sensors-smartphones-detect-atrial-fibrillation-general-adult-public>.*

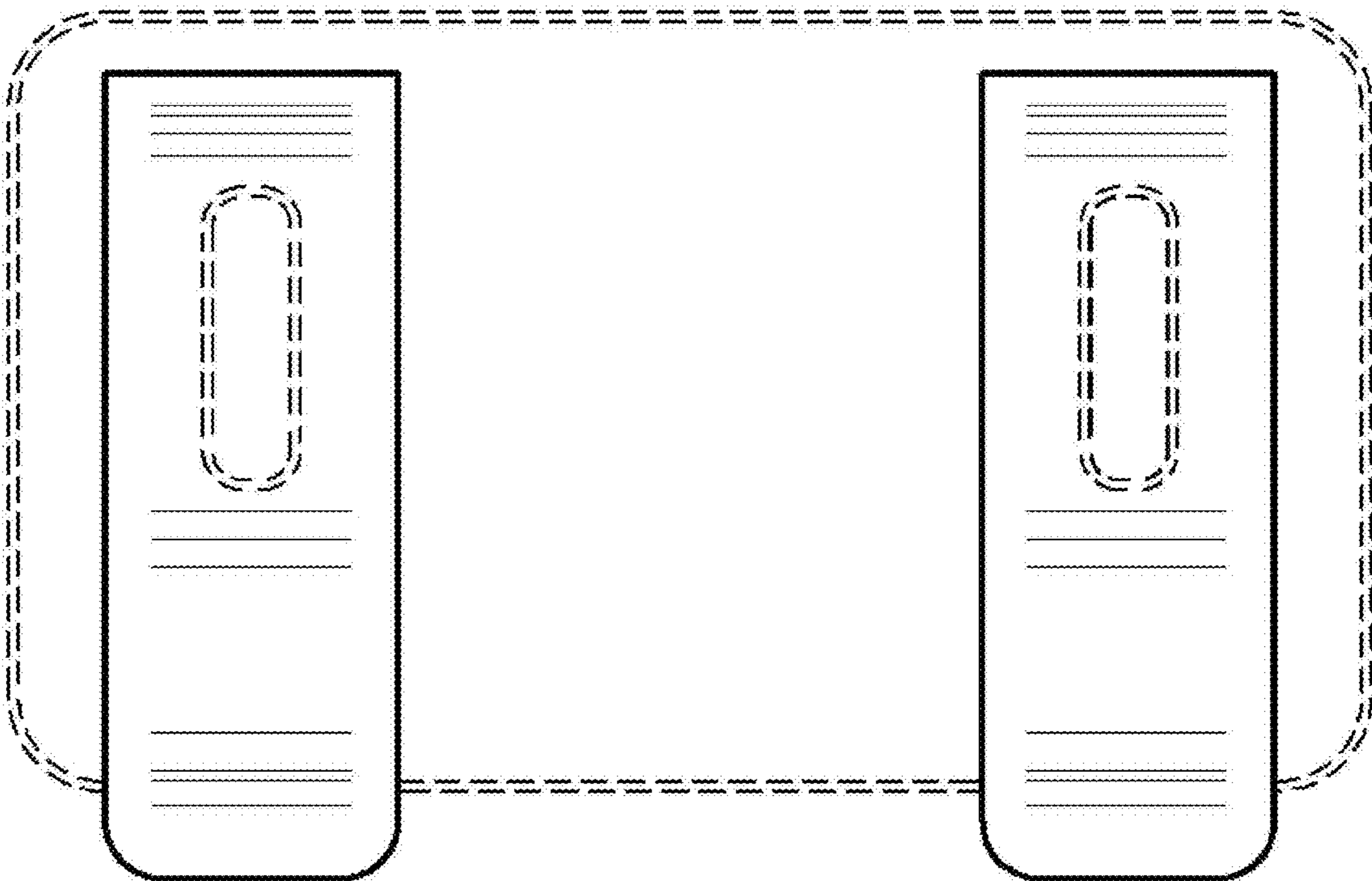
“AliveCor Veterinary Heart Monitor”. Found online Aug. 5, 2020 at vetpracticemag.com. Reference dated Mar. 17, 2016. Retrieved from <https://vetpracticemag.com.au/tools-trade-alivecor-veterinary-heart-monitor/>.*

* cited by examiner

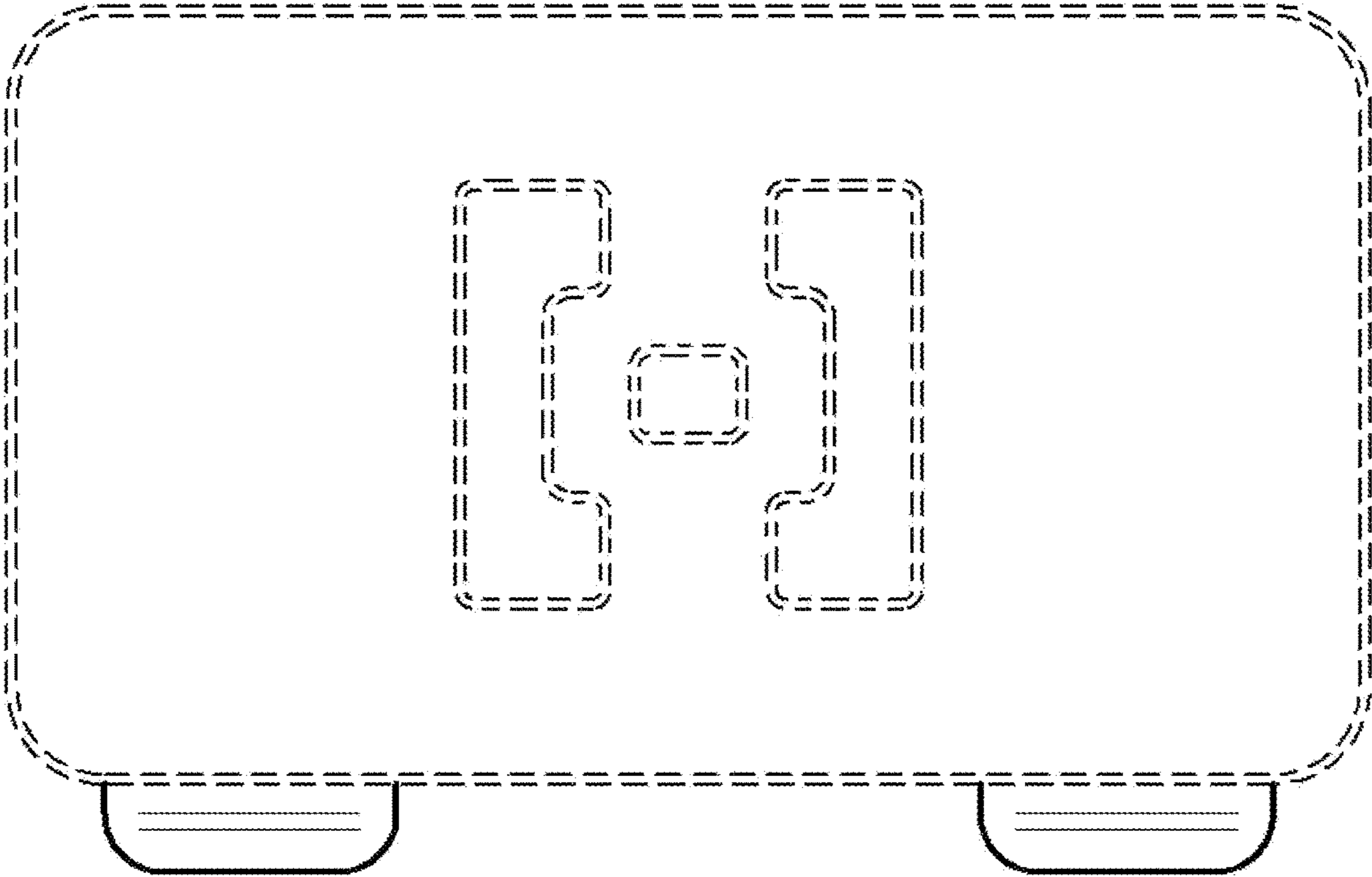
1.1



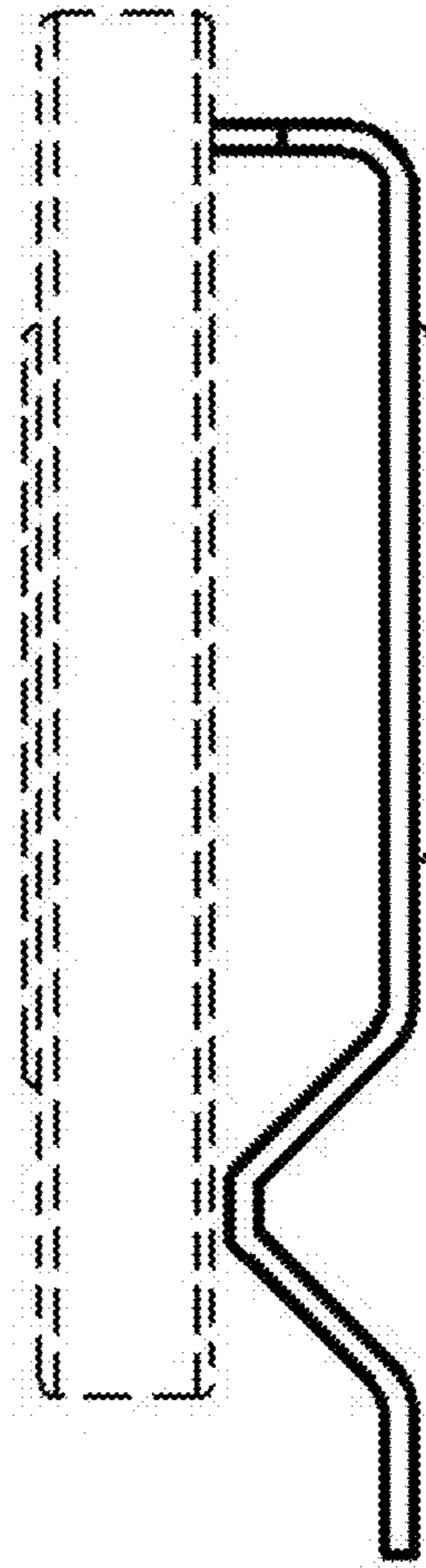
1.2



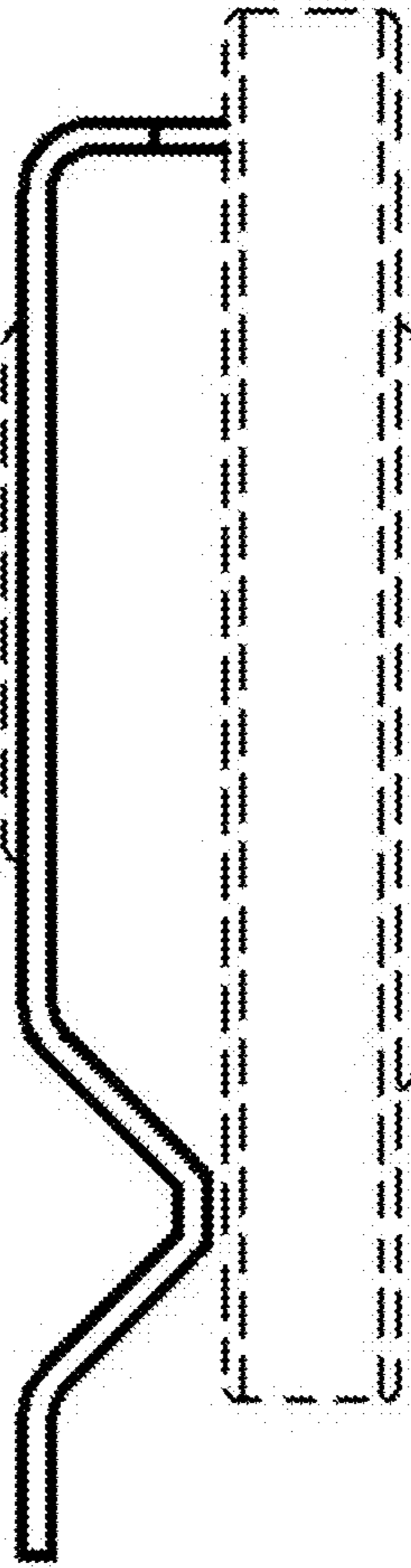
1.3



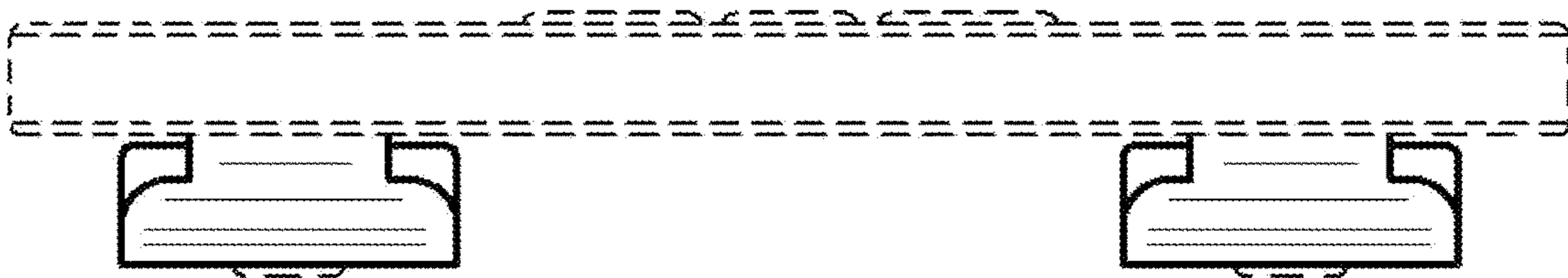
1.4



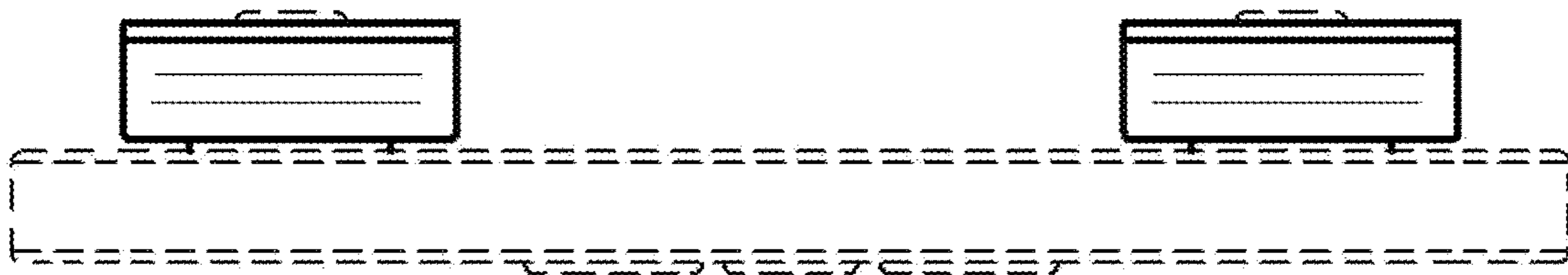
1.5



1.6



1.7



1.8

