



US00D913497S

(12) **United States Design Patent** (10) **Patent No.:** **US D913,497 S**
Parker et al. (45) **Date of Patent:** **** Mar. 16, 2021**

(54) **CIRCUMCISION DEVICE**

(74) *Attorney, Agent, or Firm* — The Webb Law Firm

(71) Applicant: **INNOVATIVE MEDICAL TECHNOLOGY (PTY) LTD**, Cape Town (ZA)

(57) **CLAIM**

The ornamental design for a circumcision device, as shown and described.

(72) Inventors: **Cyril Norman Parker**, Cape Town (ZA); **Elisabeth Regina Parker**, Cape Town (ZA); **Jared Mark Vorster**, Cape Town (ZA); **David Christopher Wiseman**, Cape Town (ZA)

DESCRIPTION

(73) Assignee: **INNOVATIVE MEDICAL TECHNOLOGY (PTY) LTD**, Cape Town (ZA)

FIG. 1 is an upper perspective view of a circumcision device showing our new design in an open condition; FIG. 2 is a top view thereof in the open condition; FIG. 3 is a front elevation view thereof in the open condition; FIG. 4 is a left side elevation view thereof in the open condition; FIG. 5 is a lower perspective view thereof in the open condition; FIG. 6 is a bottom view thereof in the open condition; FIG. 7 is a rear elevation view thereof in the open condition; FIG. 8 is a right side elevation view thereof in the open condition; FIG. 9 is an upper perspective view thereof in a closed condition prior to use; FIG. 10 is a top view thereof in the closed condition prior to use; FIG. 11 is a front elevation view thereof in the closed condition prior to use; FIG. 12 is a bottom view thereof in the closed condition prior to use; FIG. 13 is a rear elevation view thereof in the closed condition prior to use; FIG. 14 is a left side elevation view thereof in the closed condition prior to use; FIG. 15 is a right side elevation view thereof in the closed condition prior to use; FIG. 16 is an upper perspective view thereof in the closed condition after use; FIG. 17 is a top view thereof in the closed condition after use; FIG. 18 is a front elevation view thereof in the closed condition after use; FIG. 19 is a bottom view thereof in the closed condition after use;

(**) Term: **15 Years**

(21) Appl. No.: **29/617,328**

(22) Filed: **Sep. 13, 2017**

(30) **Foreign Application Priority Data**

Mar. 13, 2017 (ZA) A2017/00353

(51) **LOC (13) Cl.** **24-02**

(52) **U.S. Cl.**
USPC **D24/147**

(58) **Field of Classification Search**
USPC D24/127, 130, 133, 146, 147, 106, 108,
D24/109, 112, 187, 196, 200, 210, 214,
(Continued)

(56) **References Cited**

U.S. PATENT DOCUMENTS

5,439,466 A * 8/1995 Kilejian A61B 17/326
606/1
5,860,988 A * 1/1999 Rawlings A61B 17/326
606/118

(Continued)

Primary Examiner — Samantha Q Lawrence

(Continued)

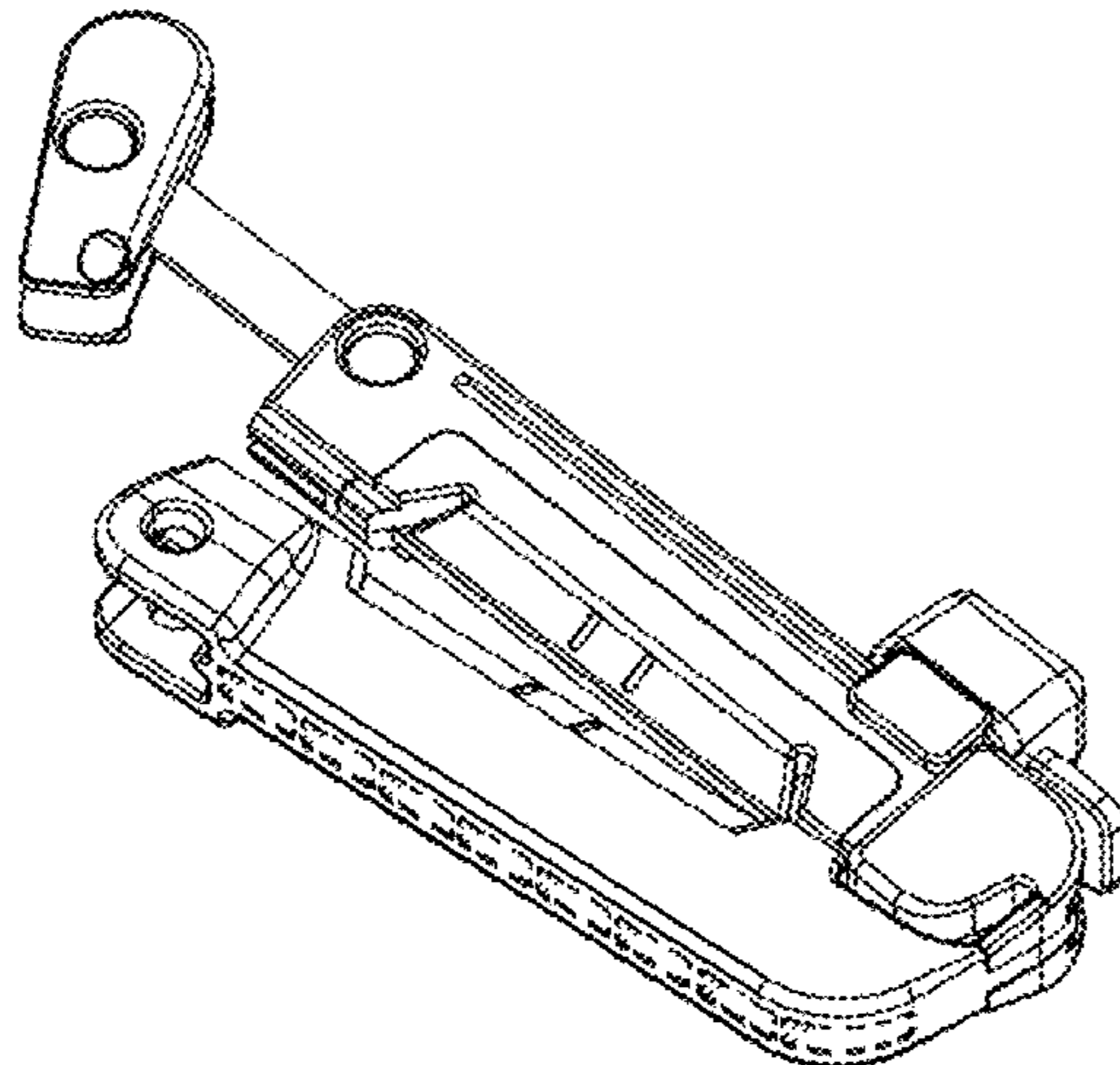


FIG. 20 is a rear elevation view thereof in the closed condition after use;
FIG. 21 is a left side elevation view thereof in the closed condition after use; and,
FIG. 22 is a right side elevation view thereof in the closed condition after use.
The broken lines in the drawings illustrate portions of the circumcision device that form no part of the claimed design.

1 Claim, 6 Drawing Sheets

(58) **Field of Classification Search**

USPC D24/215, 209, 129, 140; D9/516, 529, D9/549, 550, 556, 558, 571, 723-727; D28/13, 18, 84; D8/8, 98
CPC A61B 17/326; A61B 2017/0023; A61B 17/0487; A61B 17/0644; A61B 17/0682; A61B 17/1155; A61B 17/12; A61B 17/12009; A61B 17/122; A61B 17/128;

A61B 17/32; A61B 17/3201; A61B 50/20; A61B 1/32; A61H 19/32

See application file for complete search history.

(56)

References Cited

U.S. PATENT DOCUMENTS

7,303,567	B1 *	12/2007	Smith	A61B 17/326 606/118
8,080,018	B2 *	12/2011	Kostrzewski	A61B 17/326 606/118
8,974,471	B2 *	3/2015	Fuerst	A61B 17/1322 606/118
9,445,835	B2 *	9/2016	Melhem	A61B 17/326
D836,200	S *	12/2018	Parker	D24/147
10,463,393	B2 *	11/2019	Souaida	A61B 17/326
2017/0367699	A1 *	12/2017	Shelton, IV	A61B 17/064
2019/0159782	A1 *	5/2019	Kamaraj	A61B 17/122
2019/0350611	A1 *	11/2019	Parker	A61B 17/326
2019/0357931	A1 *	11/2019	Xia	A61B 17/0682

* cited by examiner

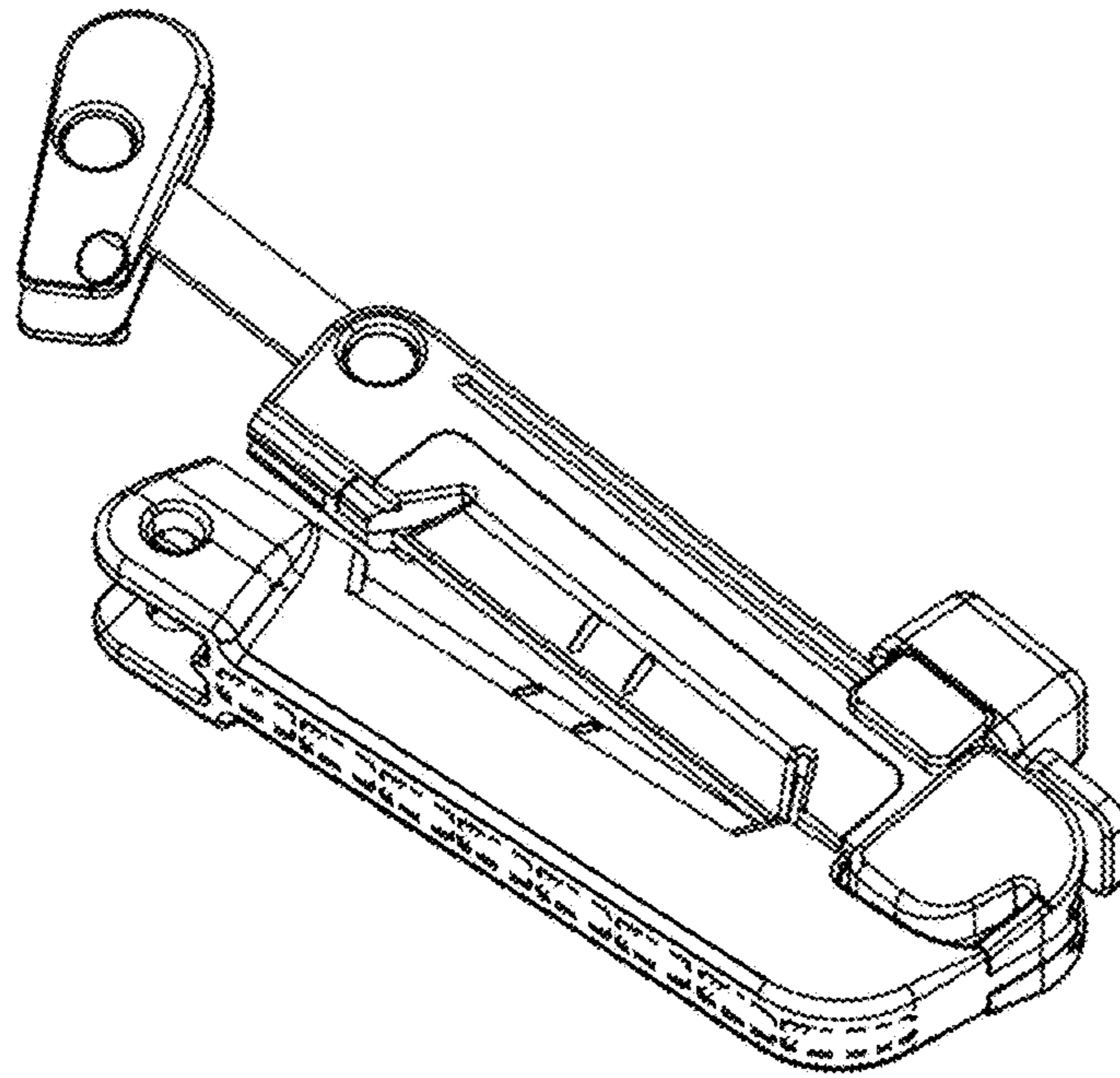


FIG. 1

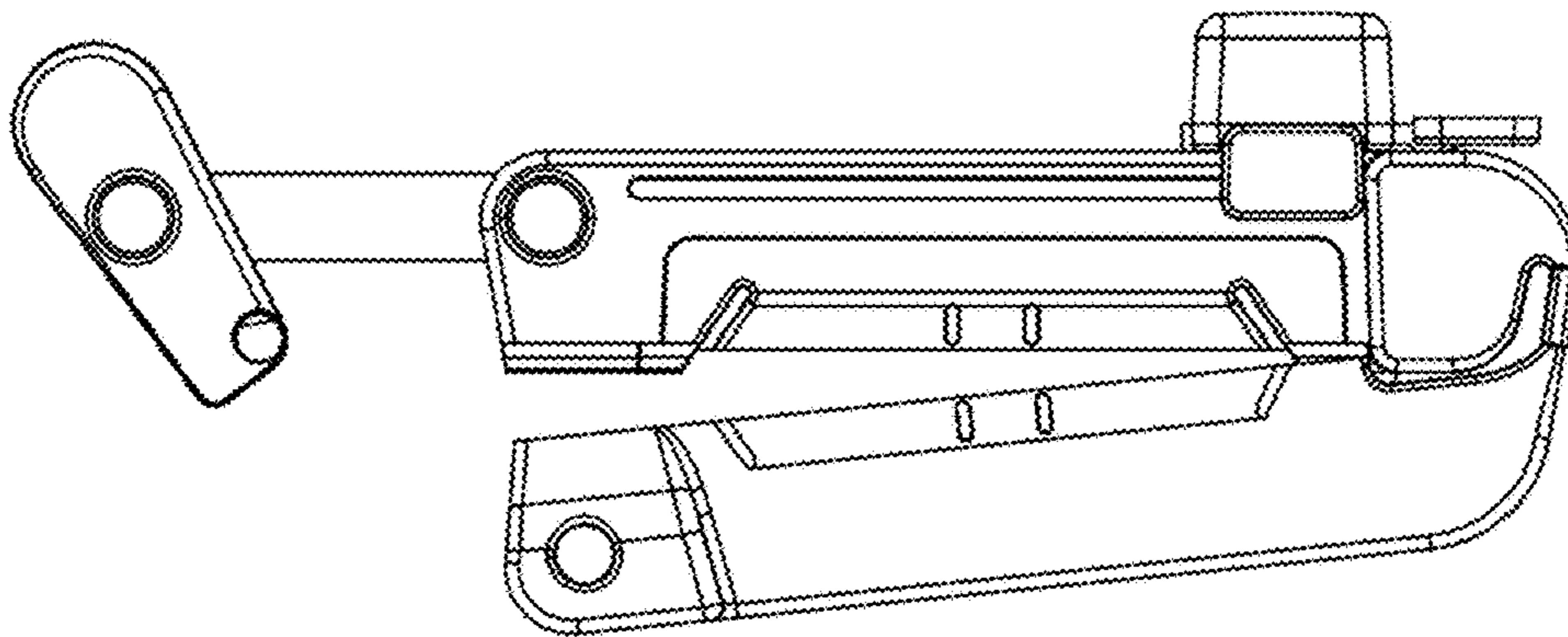


FIG. 2

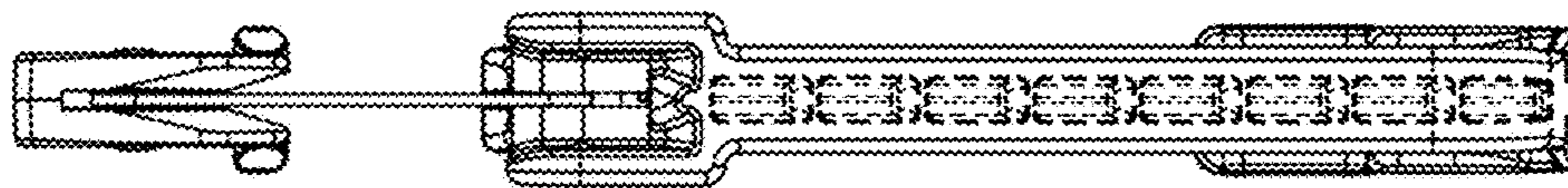


FIG. 3

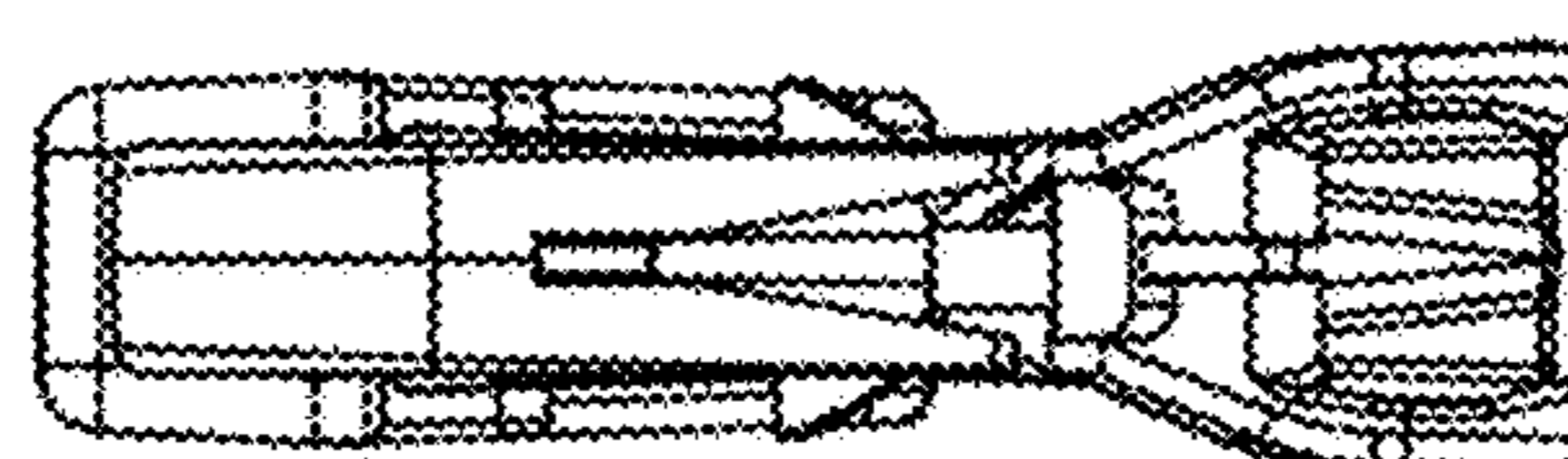


FIG. 4

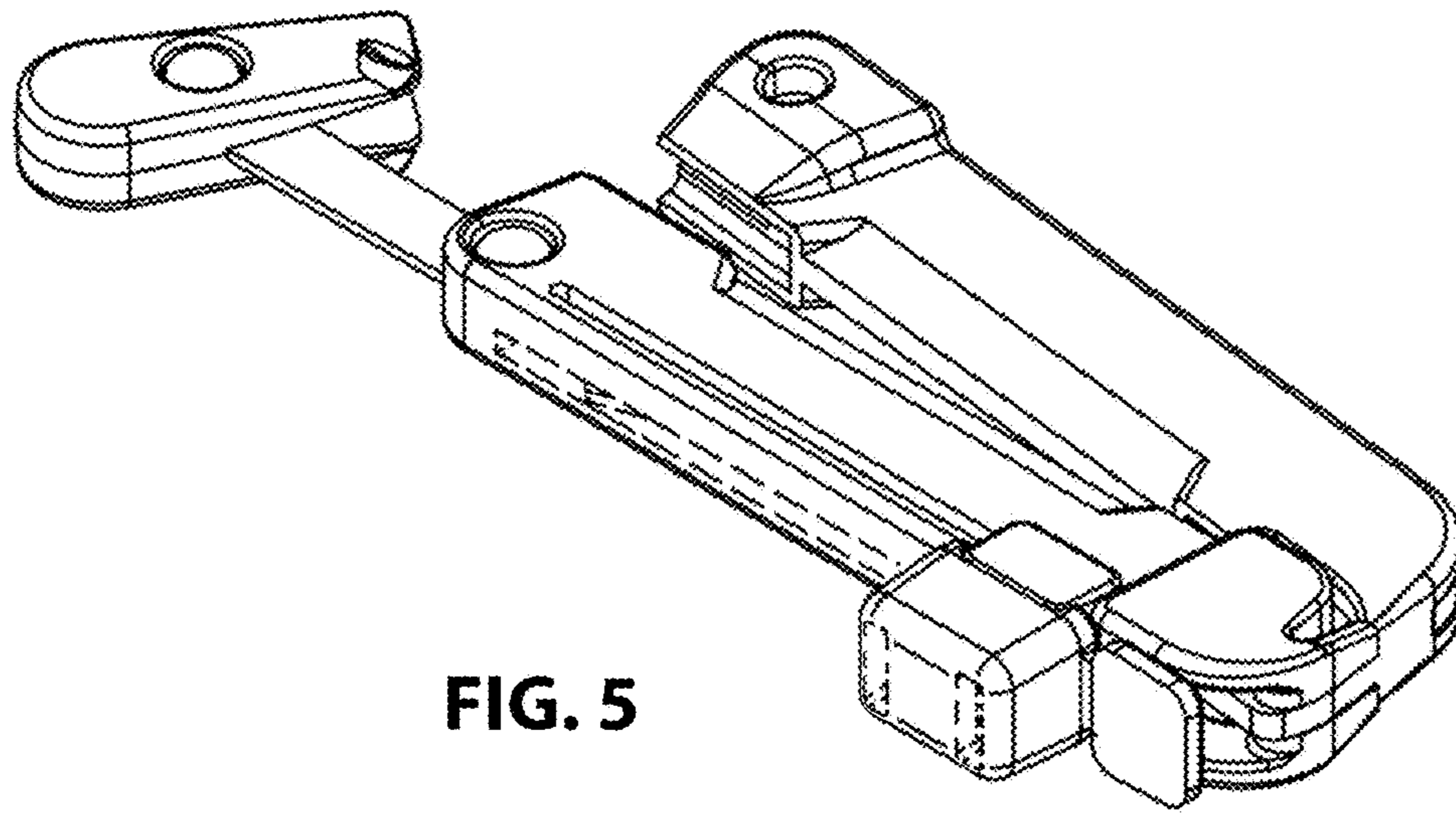


FIG. 5

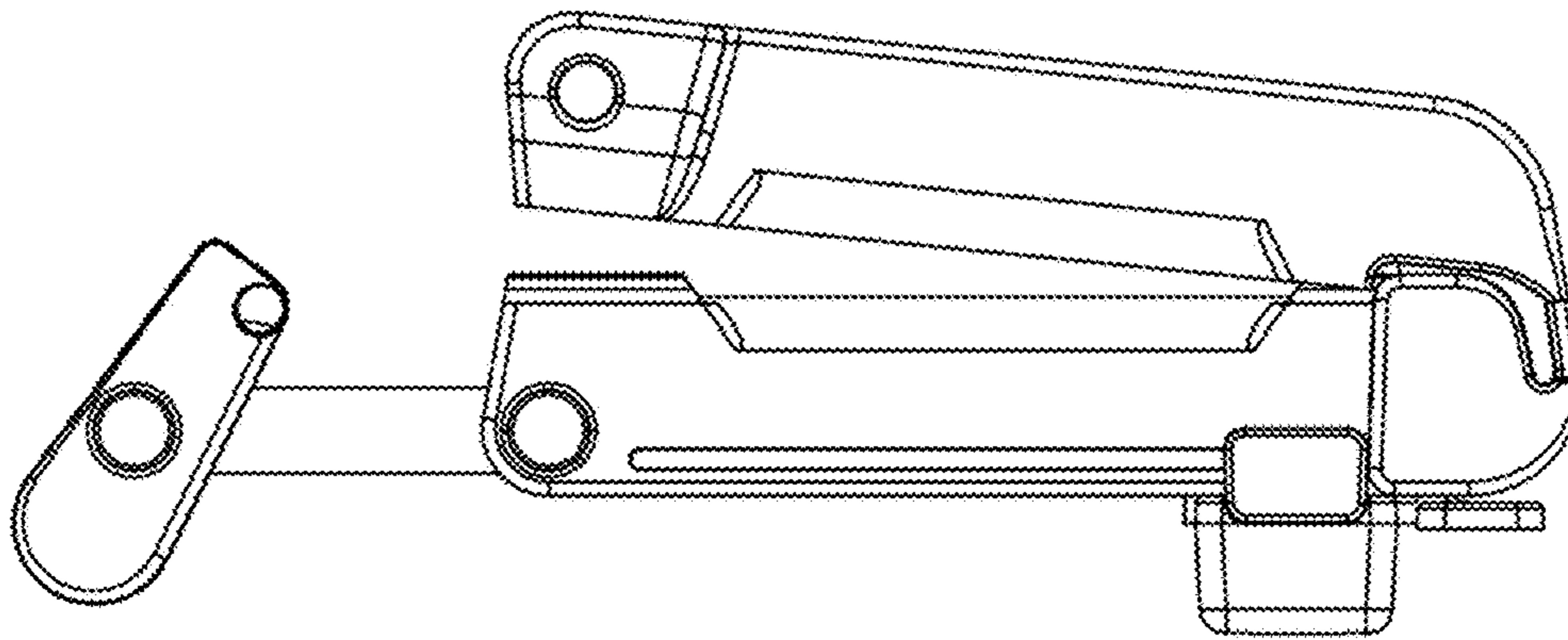


FIG. 6

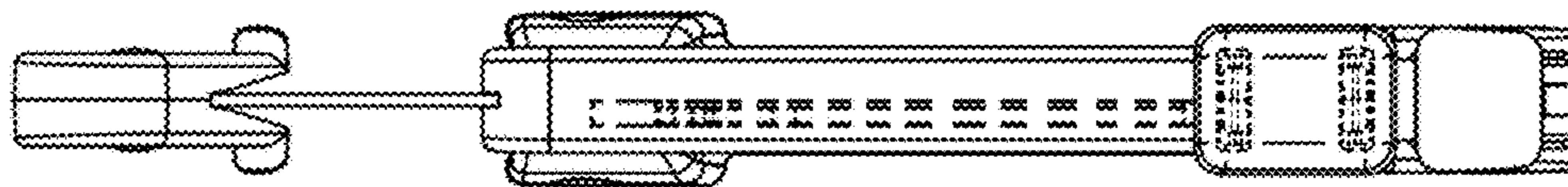


FIG. 7

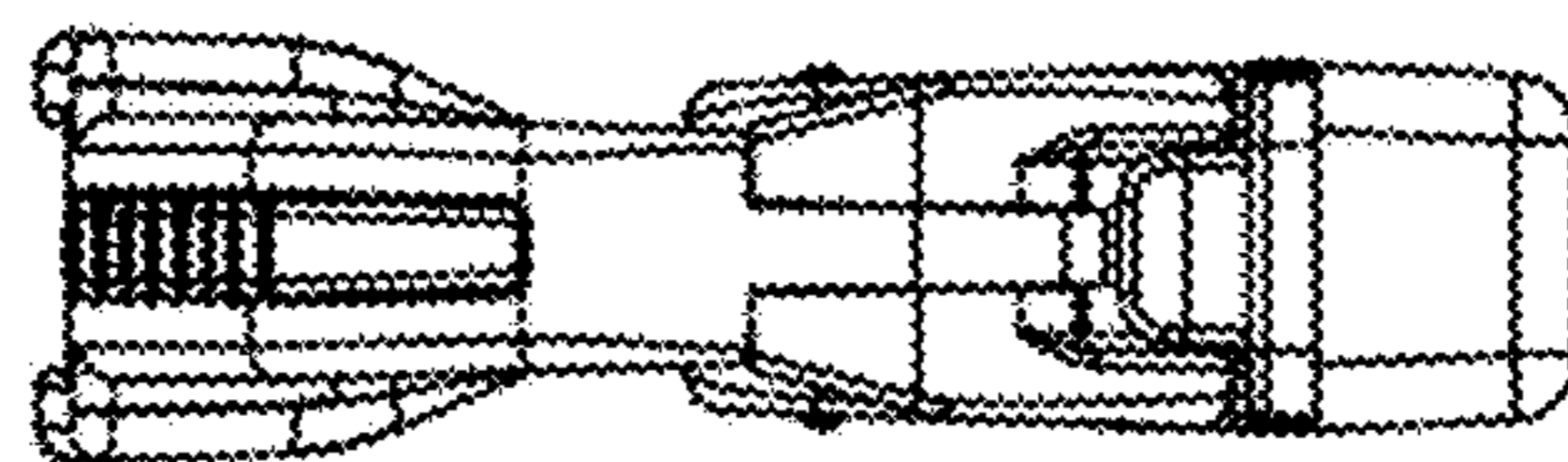


FIG. 8

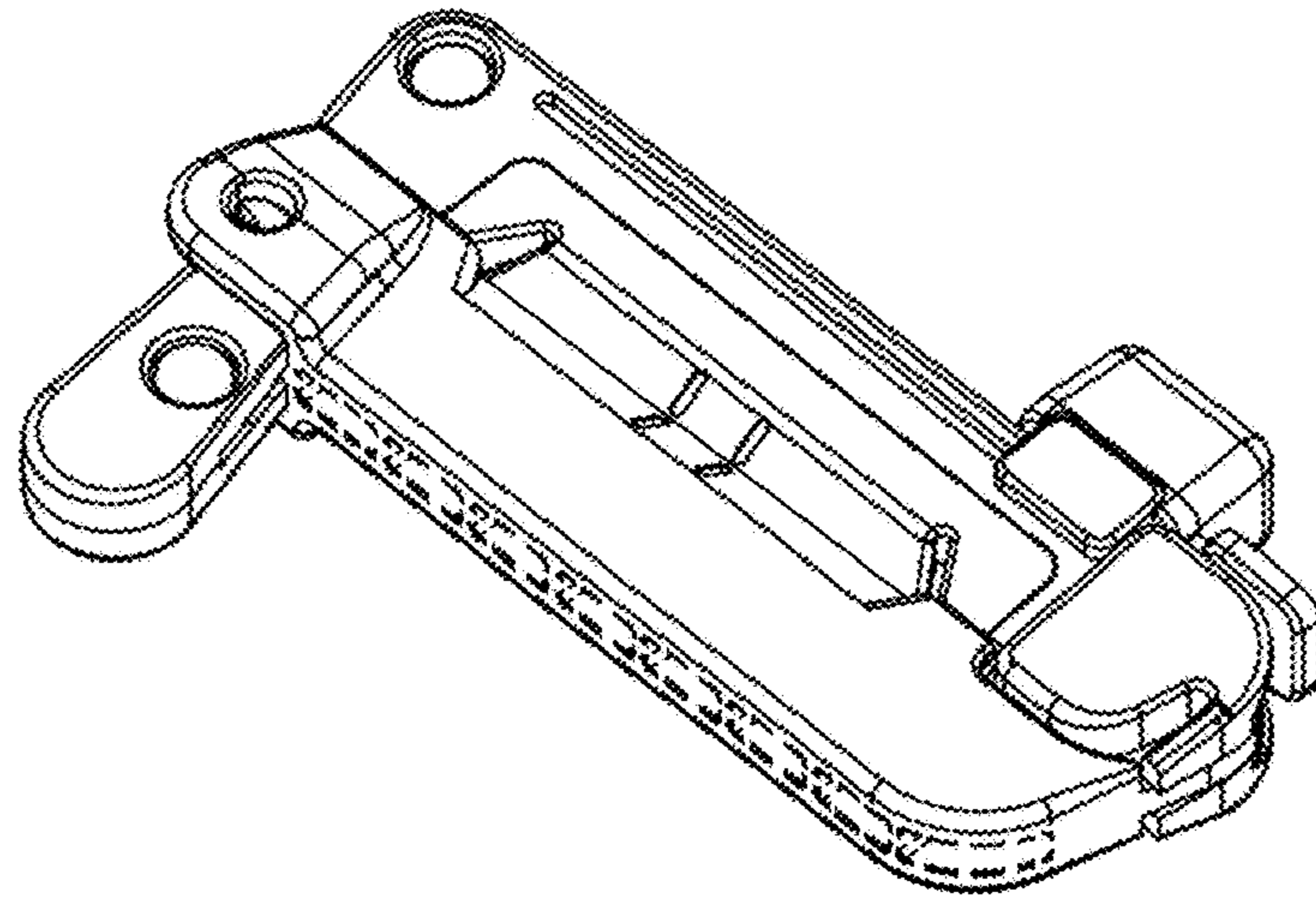


FIG. 9

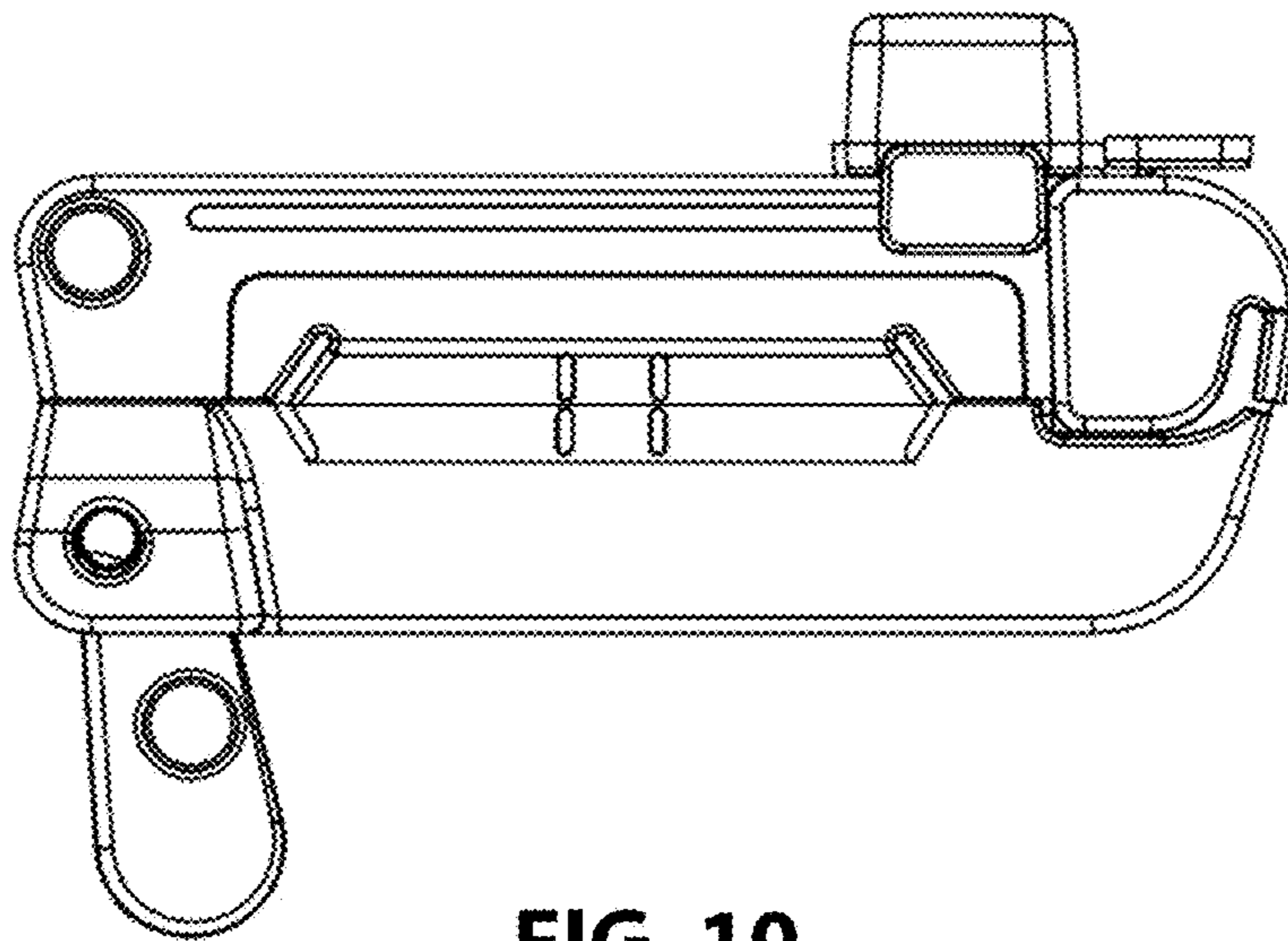


FIG. 10

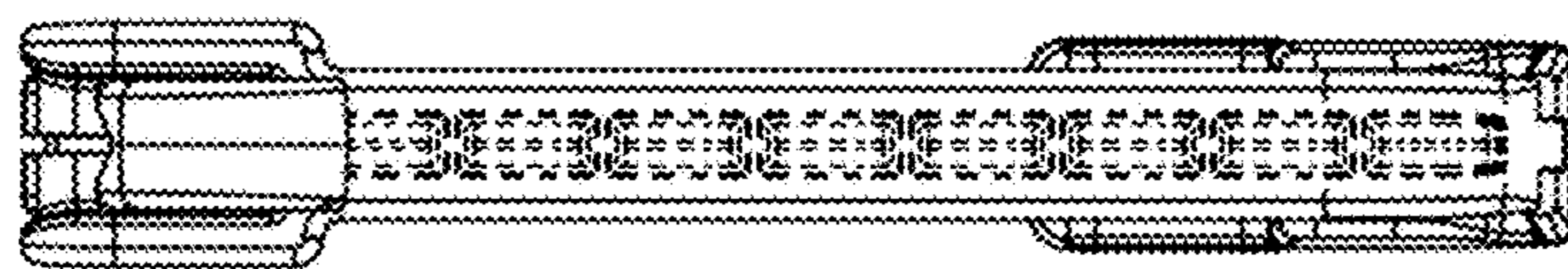


FIG. 11

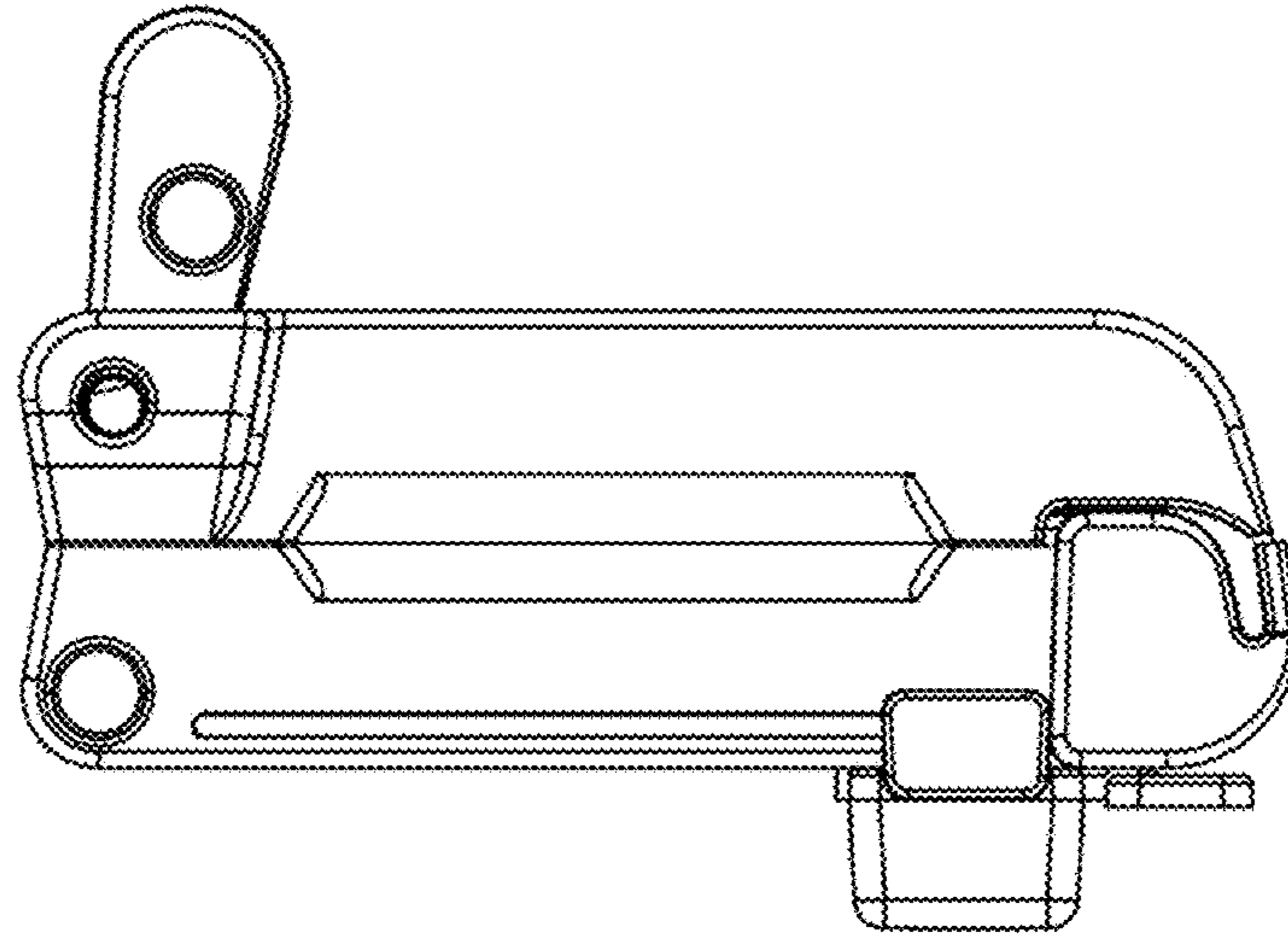


FIG. 12

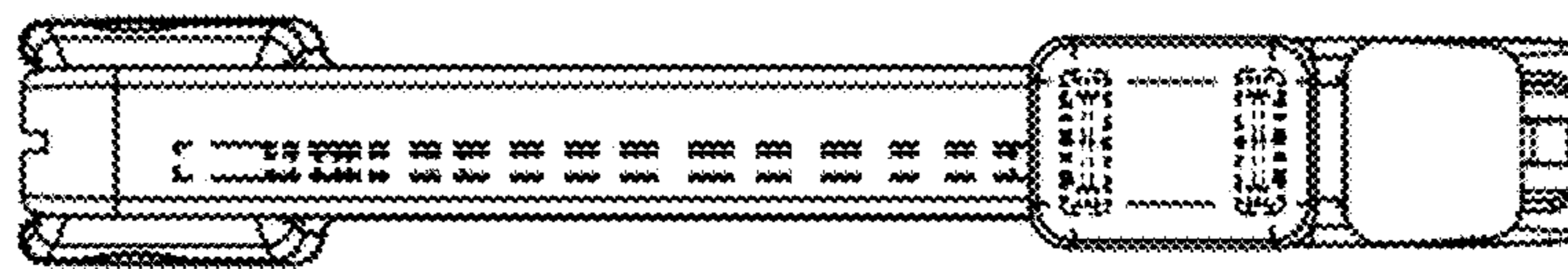


FIG. 13

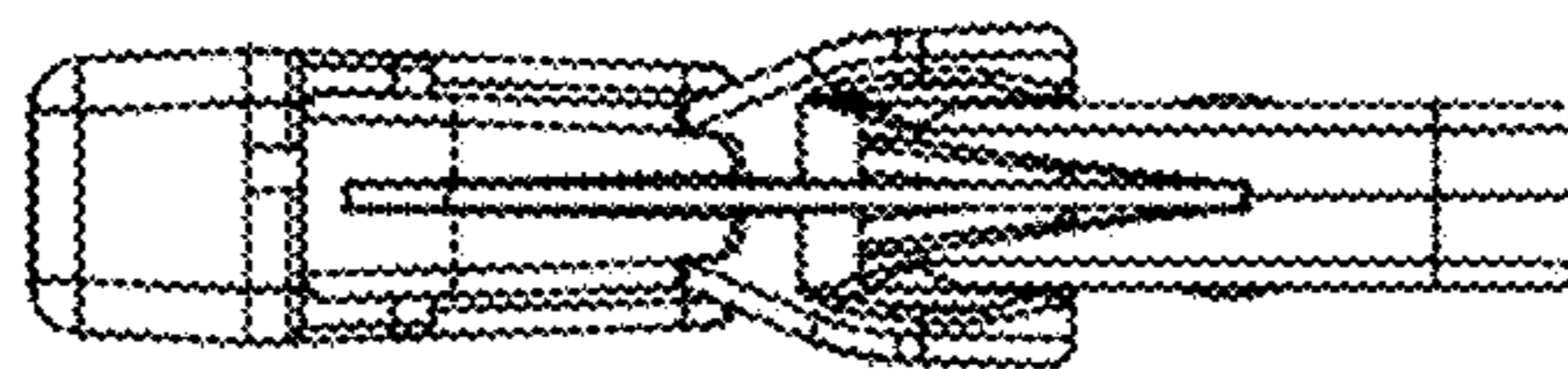


FIG. 14



FIG. 15

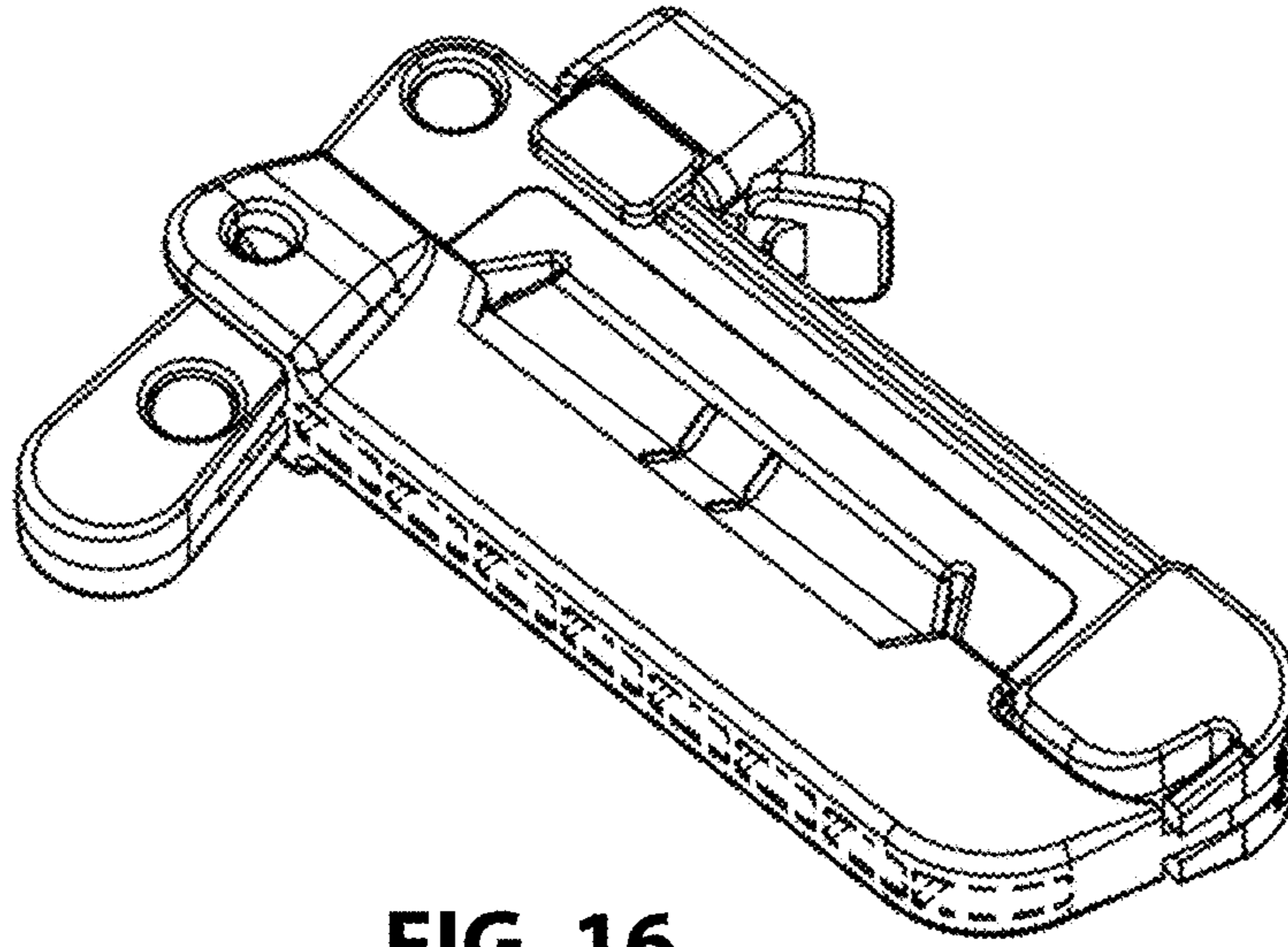


FIG. 16

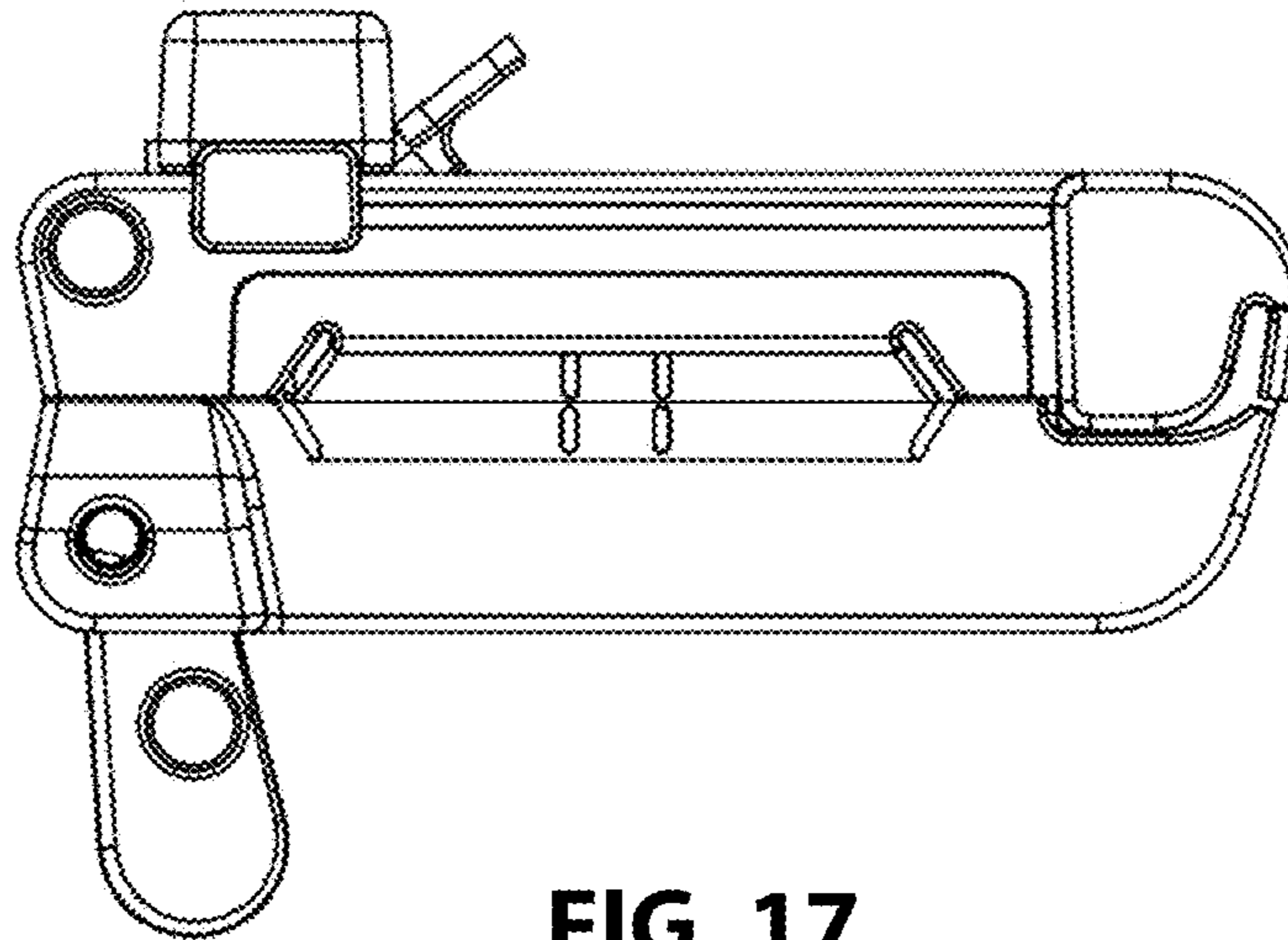


FIG. 17



FIG. 18

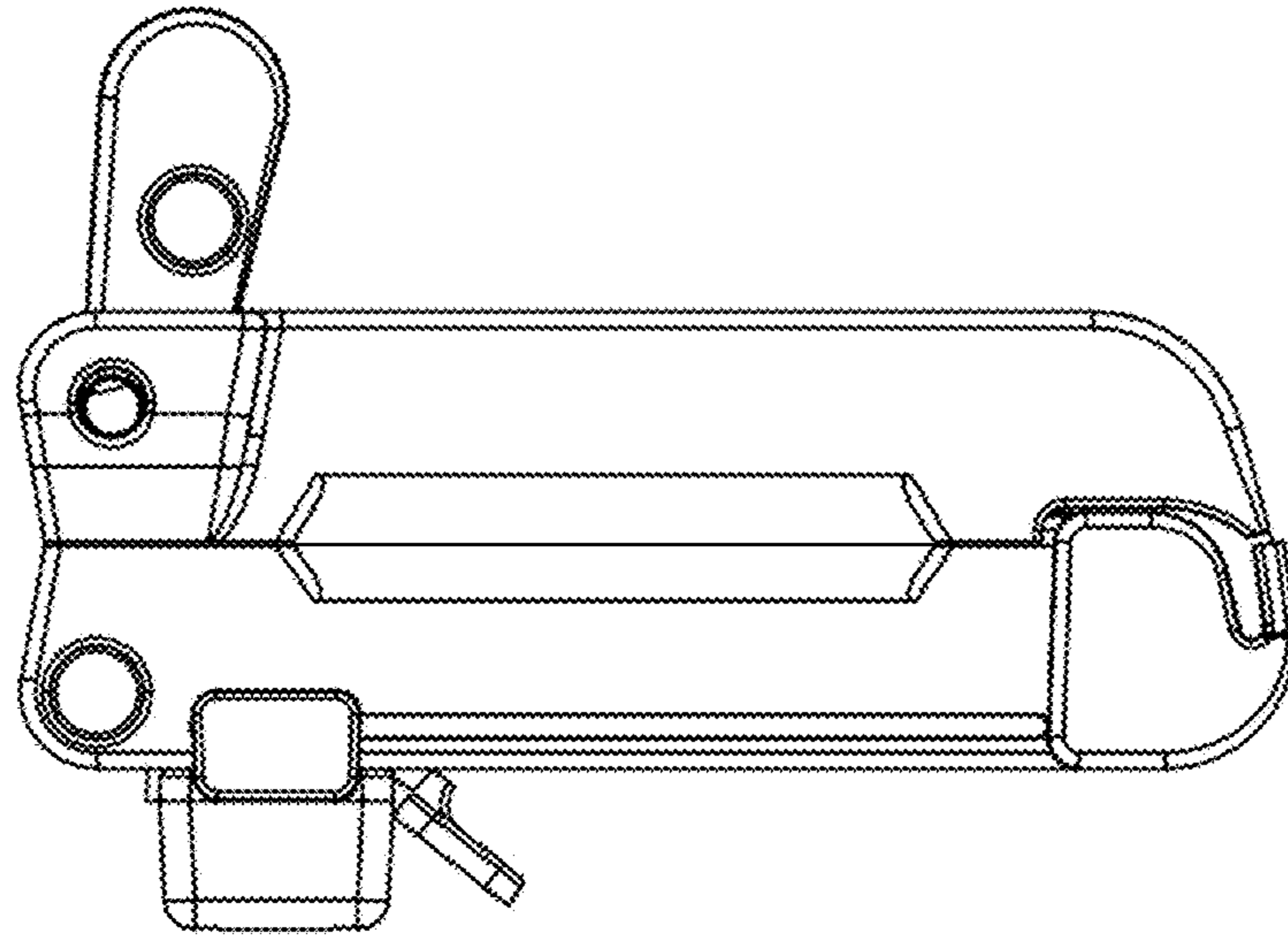


FIG. 19

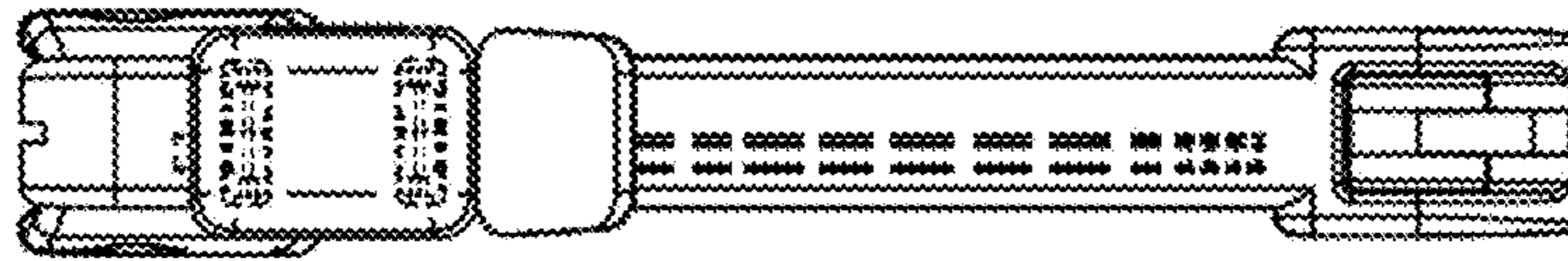


FIG. 20

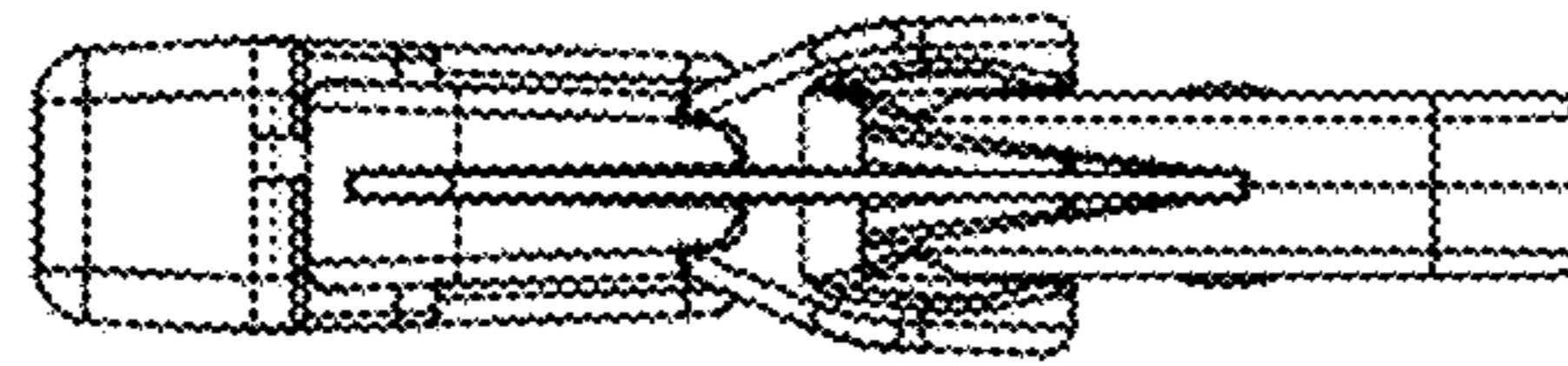


FIG. 21



FIG. 22