



US00D913495S

(12) **United States Design Patent**
Deck et al.

(10) **Patent No.:** **US D913,495 S**
(45) **Date of Patent:** **** Mar. 16, 2021**

(54) **LINEAR SURGICAL STAPLER**

(71) Applicant: **ETHICON LLC**, Guaynabo, PR (US)

(72) Inventors: **Andrew C. Deck**, Cincinnati, OH (US);
Jason Jones, Cincinnati, OH (US);
David K. Norvell, Monroe, OH (US);
Matthew S. Corbin, Loveland, OH (US);
Brian D. Schings, Cincinnati, OH (US)

(73) Assignee: **Ethicon LLC**, Guaynabo, PR (US)

(**) Term: **15 Years**

(21) Appl. No.: **29/659,843**

(22) Filed: **Aug. 13, 2018**

(51) **LOC (13) Cl.** **24-02**

(52) **U.S. Cl.**
USPC **D24/145**

(58) **Field of Classification Search**
USPC D24/145; 227/175.1, 176.1, 177.1, 180.1,
227/901-902; 606/139, 219
CPC . A61B 17/064; A61B 17/0644; A61B 17/072;
A61B 17/07207; A61B 17/068; A61B
17/115; A61B 2017/07271
See application file for complete search history.

(56) **References Cited**

U.S. PATENT DOCUMENTS

D272,851 S * 2/1984 Green D24/145
D297,261 S * 8/1988 Blake, III D24/145
D322,143 S * 12/1991 Spreckelmeier D24/145

(Continued)

FOREIGN PATENT DOCUMENTS

JP 1339812 S 9/2008

OTHER PUBLICATIONS

Design U.S. Appl. No. 29/659,845.
Design U.S. Appl. No. 29/659,847.

Indian First Examination Report dated Feb. 13, 2019 for Application No. 314192-001, 23 pages.

(Continued)

Primary Examiner — Wan Laymon

(74) *Attorney, Agent, or Firm* — Frost Brown Todd LLC

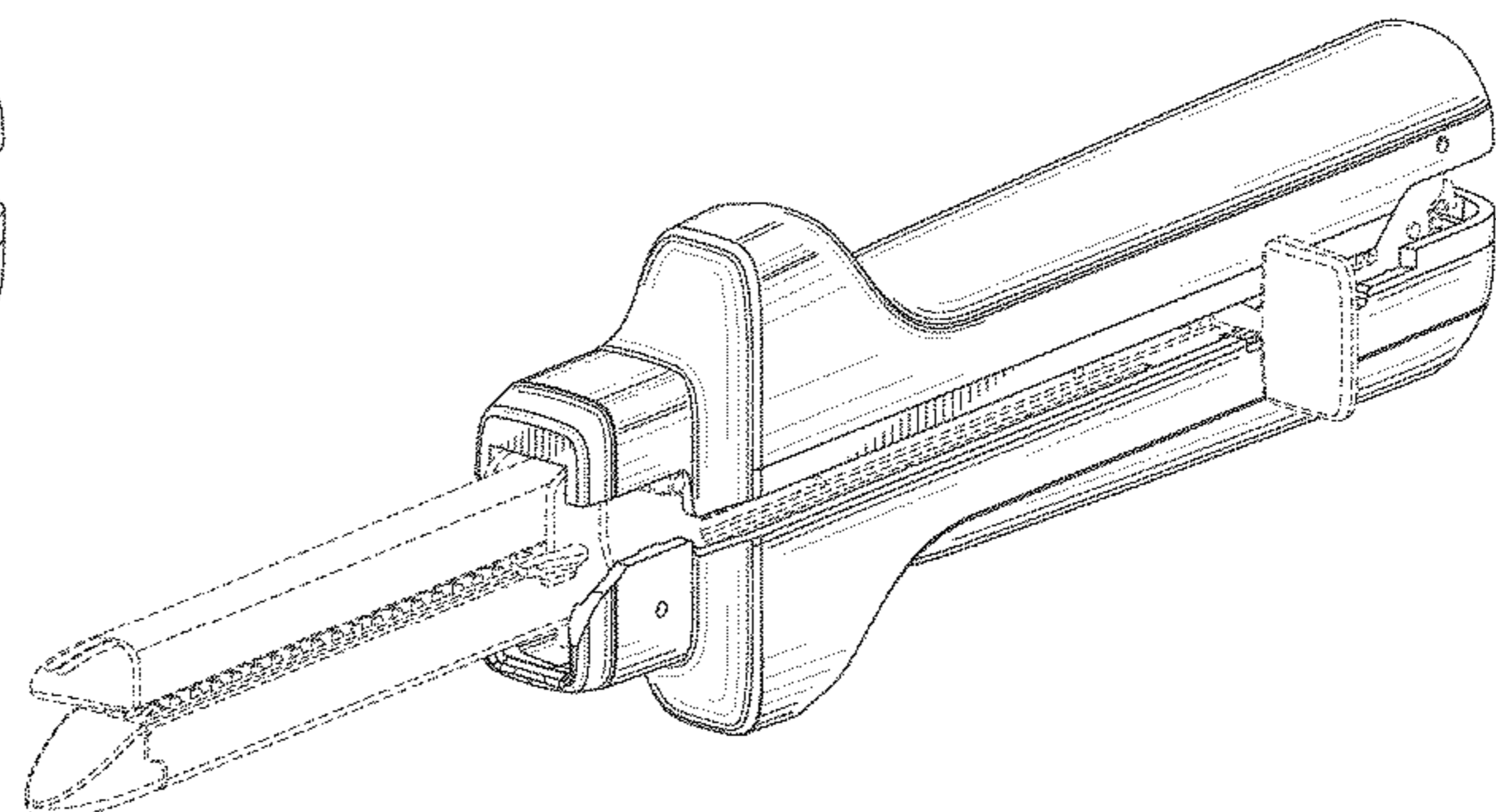
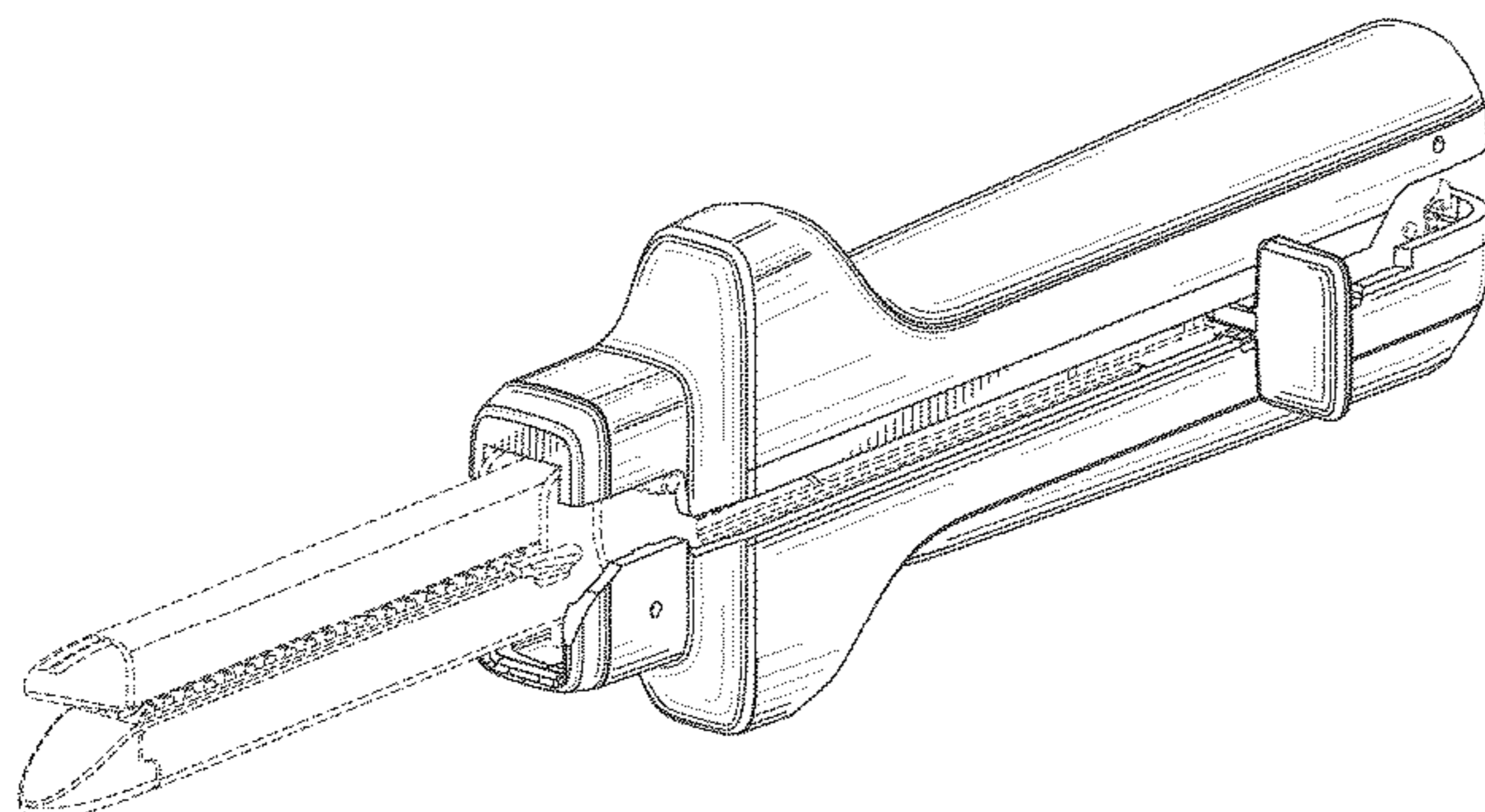
(57) **CLAIM**

The ornamental design for a linear surgical stapler, as shown and described.

DESCRIPTION

FIG. 1 is a perspective view of a linear surgical stapler, showing our new design;
FIG. 2 is a front elevational view of the linear surgical stapler of FIG. 1;
FIG. 3 is a rear elevational view of the linear surgical stapler of FIG. 1;
FIG. 4 is a left elevational view of the linear surgical stapler of FIG. 1;
FIG. 5 is a right elevational view of the linear surgical stapler of FIG. 1;
FIG. 6 is a top plan view of the linear surgical stapler of FIG. 1;
FIG. 7 is a bottom plan view of the linear surgical stapler of FIG. 1;
FIG. 8 is a perspective view of another embodiment of a linear surgical stapler, showing our new design;
FIG. 9 is a front elevational view of the linear surgical stapler of FIG. 8;
FIG. 10 is a rear elevational view of the linear surgical stapler of FIG. 8;
FIG. 11 is a left elevational view of the linear surgical stapler of FIG. 8;
FIG. 12 is a right elevational view of the linear surgical stapler of FIG. 8;
FIG. 13 is a top plan view of the linear surgical stapler of FIG. 8; and,
FIG. 14 is a bottom plan view of the linear surgical stapler of FIG. 8.
The stapler features shown in broken lines are unclaimed environment, and form no part of the claimed design.

1 Claim, 8 Drawing Sheets



(56)

References Cited

U.S. PATENT DOCUMENTS

5,083,695 A * 1/1992 Foslien A61B 17/07207
227/175.1
5,718,359 A * 2/1998 Palmer A61B 17/07207
227/175.2
D480,808 S * 10/2003 Wells D24/145
8,074,861 B2 * 12/2011 Ehrenfels A61B 17/07207
227/180.1
8,453,908 B2 * 6/2013 Bedi A61B 17/0644
227/176.1
8,496,156 B2 * 7/2013 Sniffin A61B 17/068
227/176.1
8,540,133 B2 * 9/2013 Bedi A61B 17/07207
227/180.1
8,800,840 B2 * 8/2014 Jankowski A61B 17/068
227/176.1
8,844,788 B2 * 9/2014 Knodel A61B 17/068
227/175.1
9,271,728 B2 * 3/2016 Gupta A61B 17/068
9,451,959 B2 * 9/2016 Patankar A61B 17/07207
2008/0087706 A1 * 4/2008 Jankowski A61B 17/072
227/176.1
2010/0072252 A1 * 3/2010 Baxter, III A61B 17/068
227/176.1
2012/0312861 A1 * 12/2012 Gurumurthy A61B 17/07207
227/177.1
2013/0214031 A1 * 8/2013 Johnson A61B 17/07207
227/177.1
2019/0239881 A1 * 8/2019 Laurent A61B 17/07207
2020/0046353 A1 * 2/2020 Deck A61B 17/07207

OTHER PUBLICATIONS

Indian First Examination Report dated Feb. 12, 2019 for Application No. 314192-002, 24 pages.
Indian First Examination Report dated Feb. 11, 2019 for Application No. 314192-003, 24 pages.
Indian First Examination Report dated Feb. 18, 2019 for Application No. 314192-004, 2 pages.
Indian First Examination Report dated Feb. 18, 2019 for Application No. 314192-005, 24 pages.
Indian First Examination Report dated Feb. 27, 2019 for Application No. 314192-006, 23 pages.
Indian First Examination Report dated Feb. 19, 2019 for Application No. 314192-004, 23 pages.
Design U.S. Appl. No. 29/659,845, entitled "Cartridge for Linear Surgical Stapler," filed Aug. 13, 2018.
Design U.S. Appl. No. 29/659,847, entitled "Cartridge for Linear Surgical Stapler," filed Aug. 13, 2018.
Design U.S. Appl. No. 29/689,708, entitled "Cartridge for Linear Surgical Stapler," filed May 1, 2018.
Den Anforderungen Entsprechend! [According to the Requirements], Ethicon GmbH, 2006, p. A-1, JPO Division of Design, Official Gazette Known Data No. HD17036232, 2 pgs. Abstract only.
Japanese Office Action dated Sep. 24, 2019 for Design Application JP 2019-002783, 1 pg.
Japanese Office Action dated Jan. 7, 2020 for Design Application JP 2019-013120, 1 pg.
Japanese Office Action dated Jan. 7, 2020 for Design Application JP 2019-013121, 1 pg.

* cited by examiner

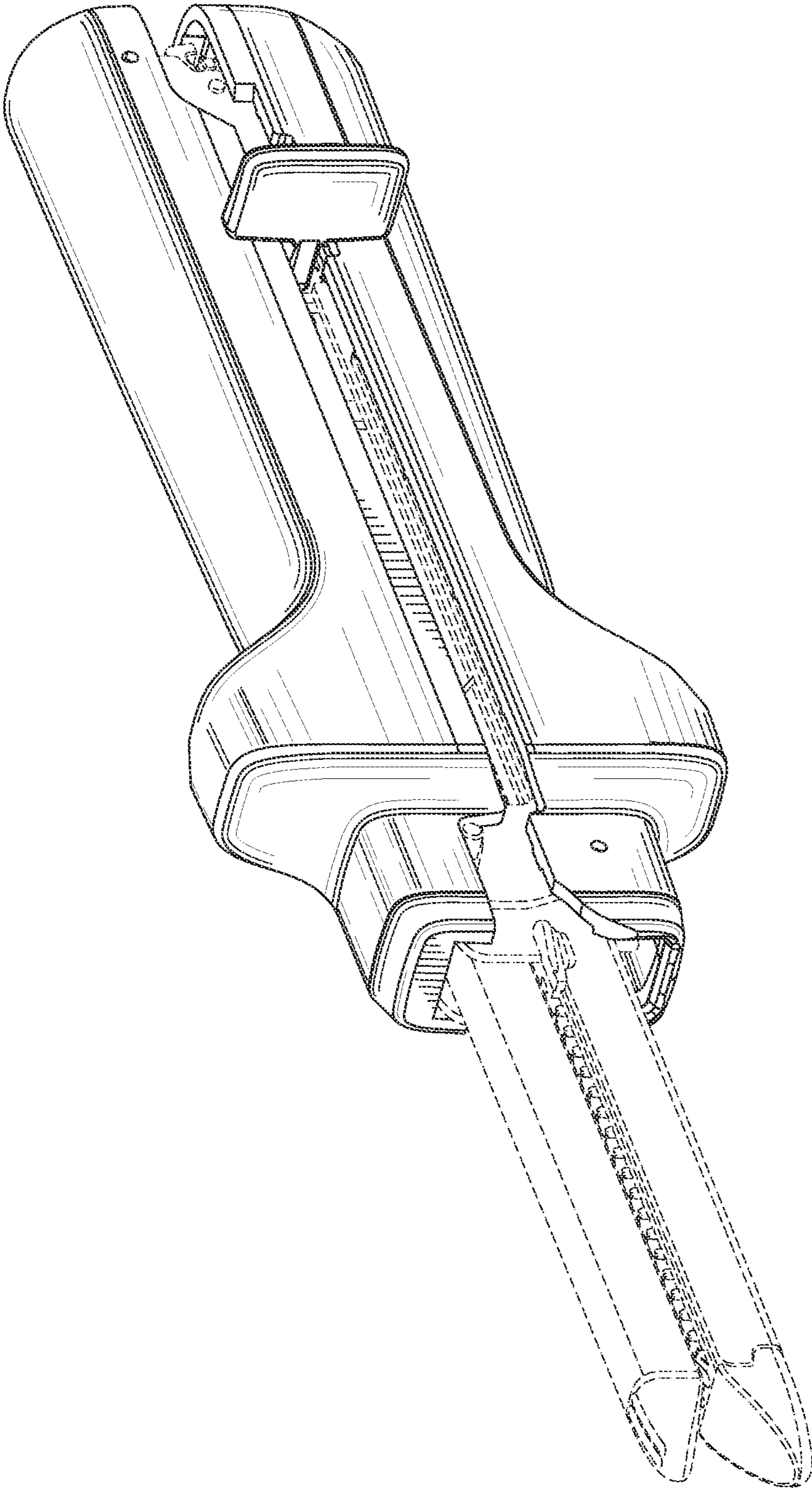


FIG. 1

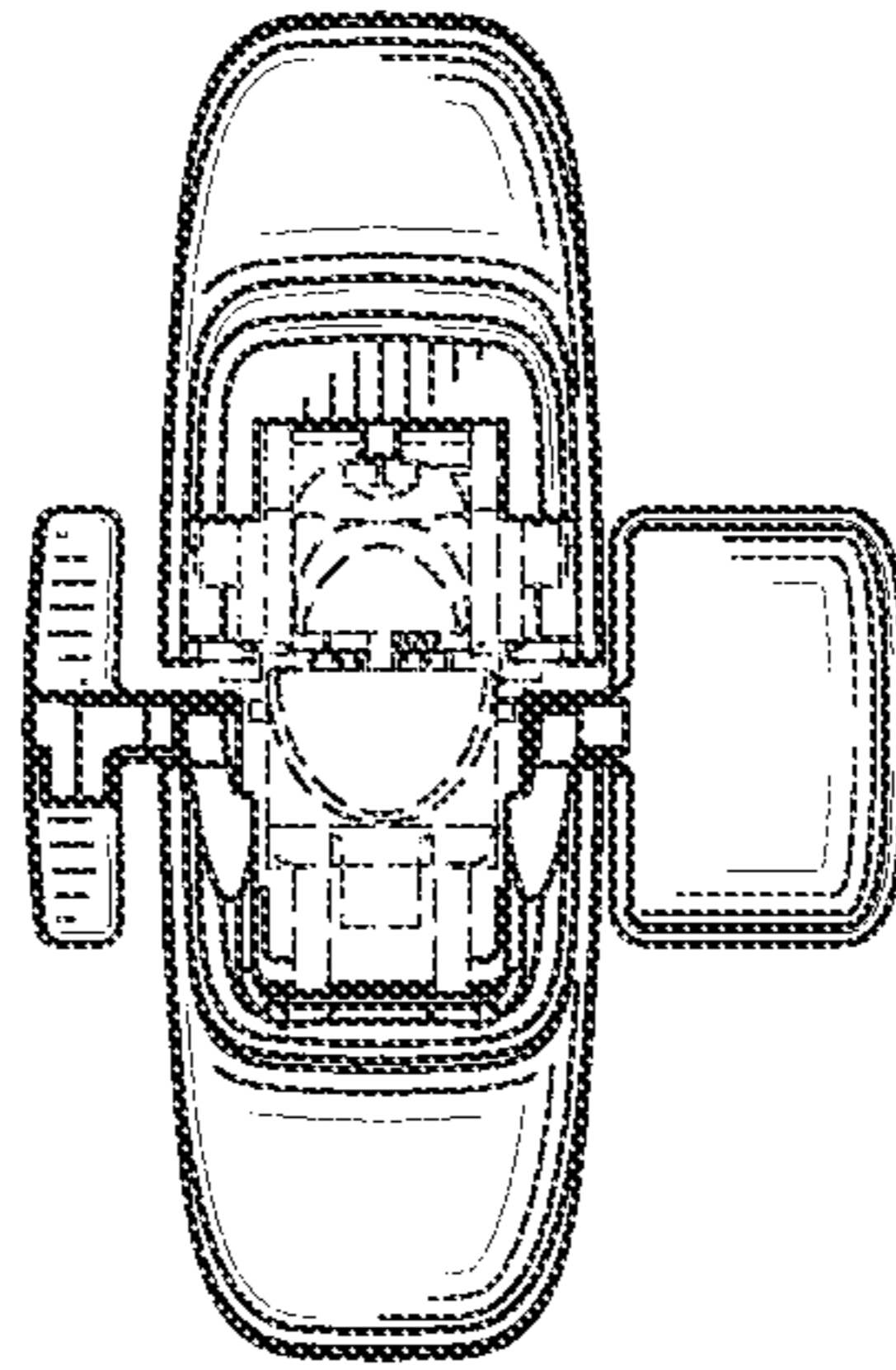


FIG. 2

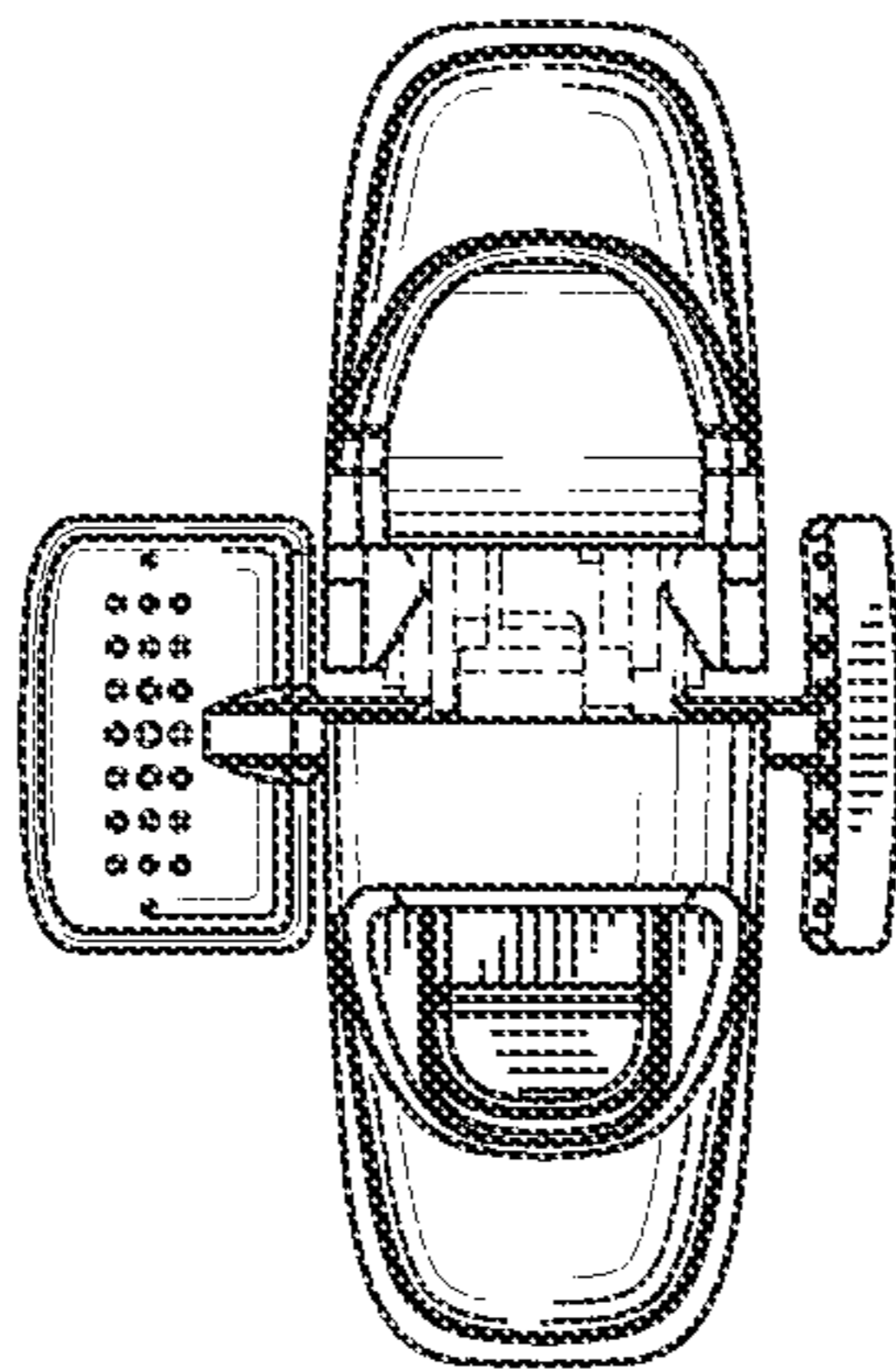


FIG. 3

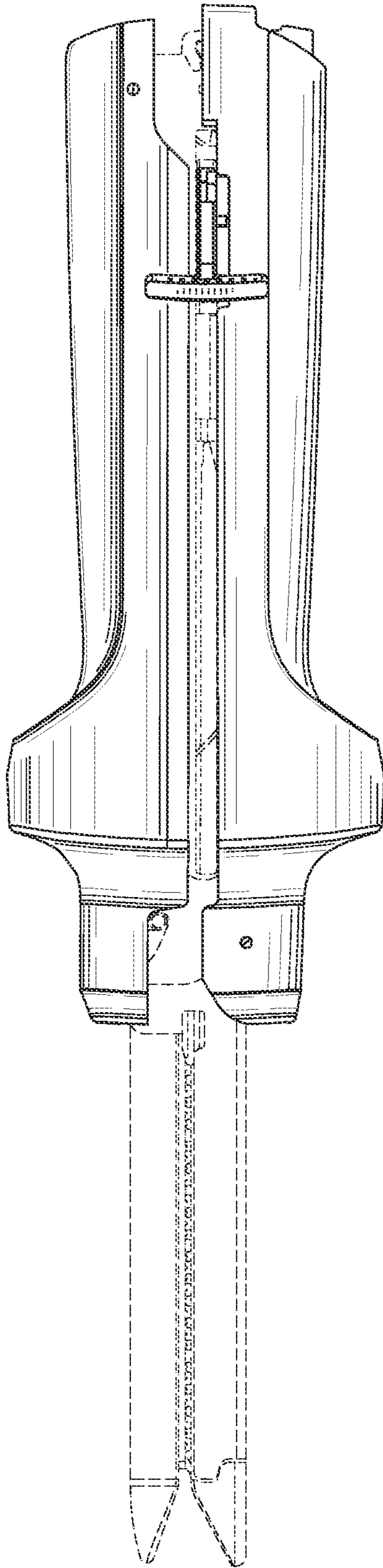


FIG. 4

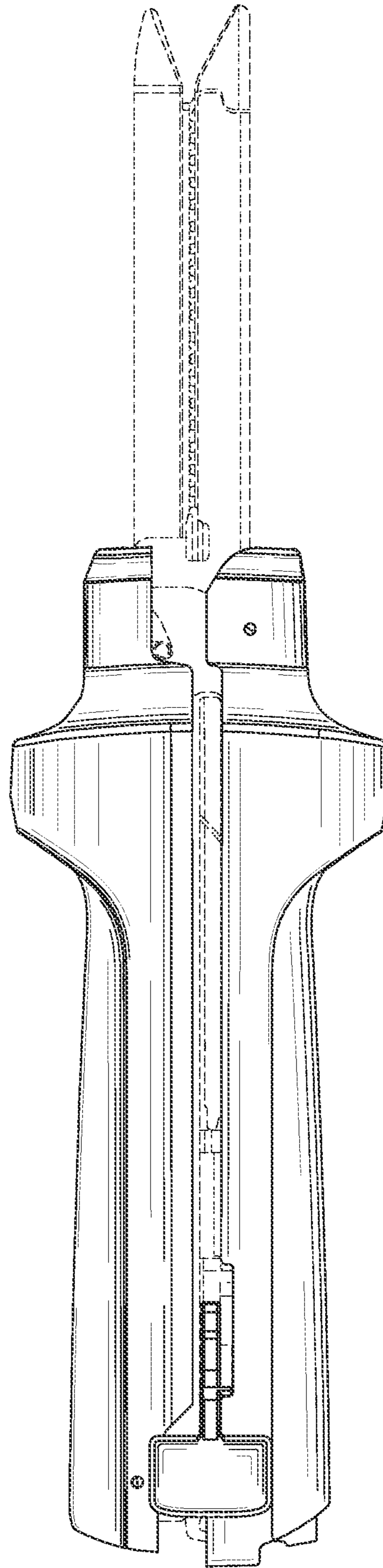


FIG. 5

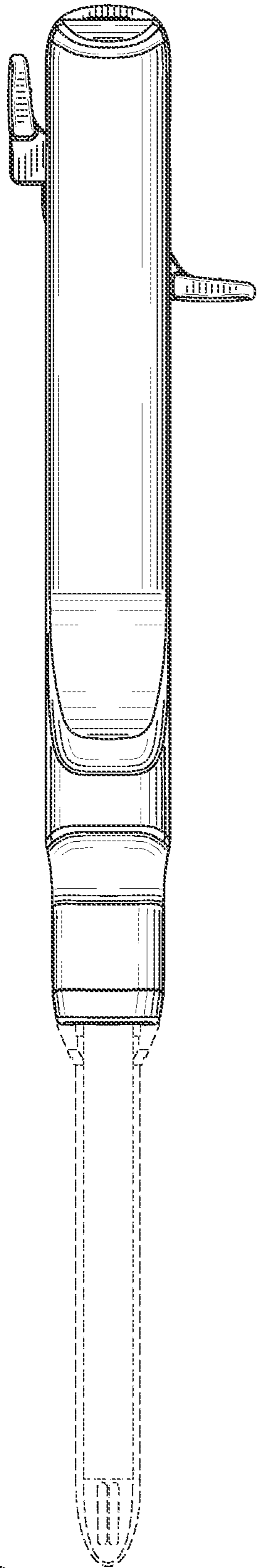


FIG. 6

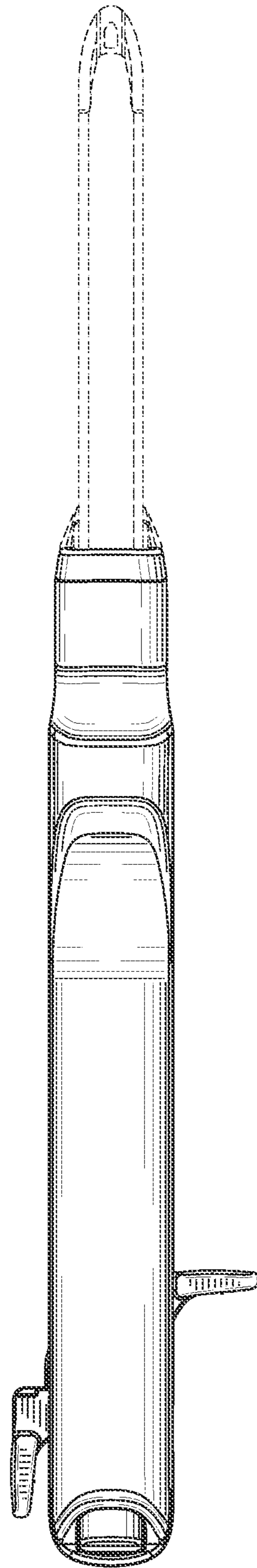


FIG. 7

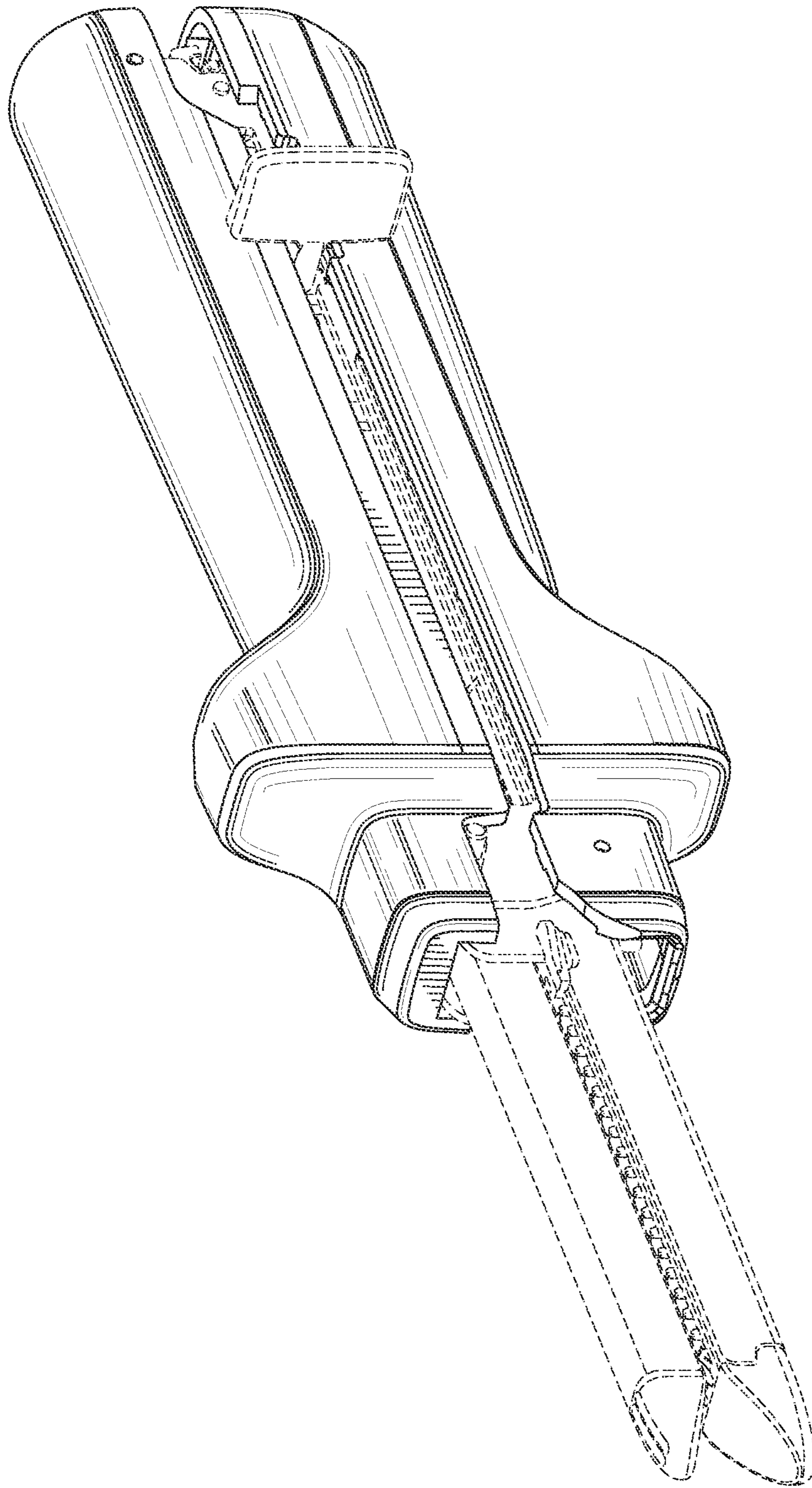


FIG. 8

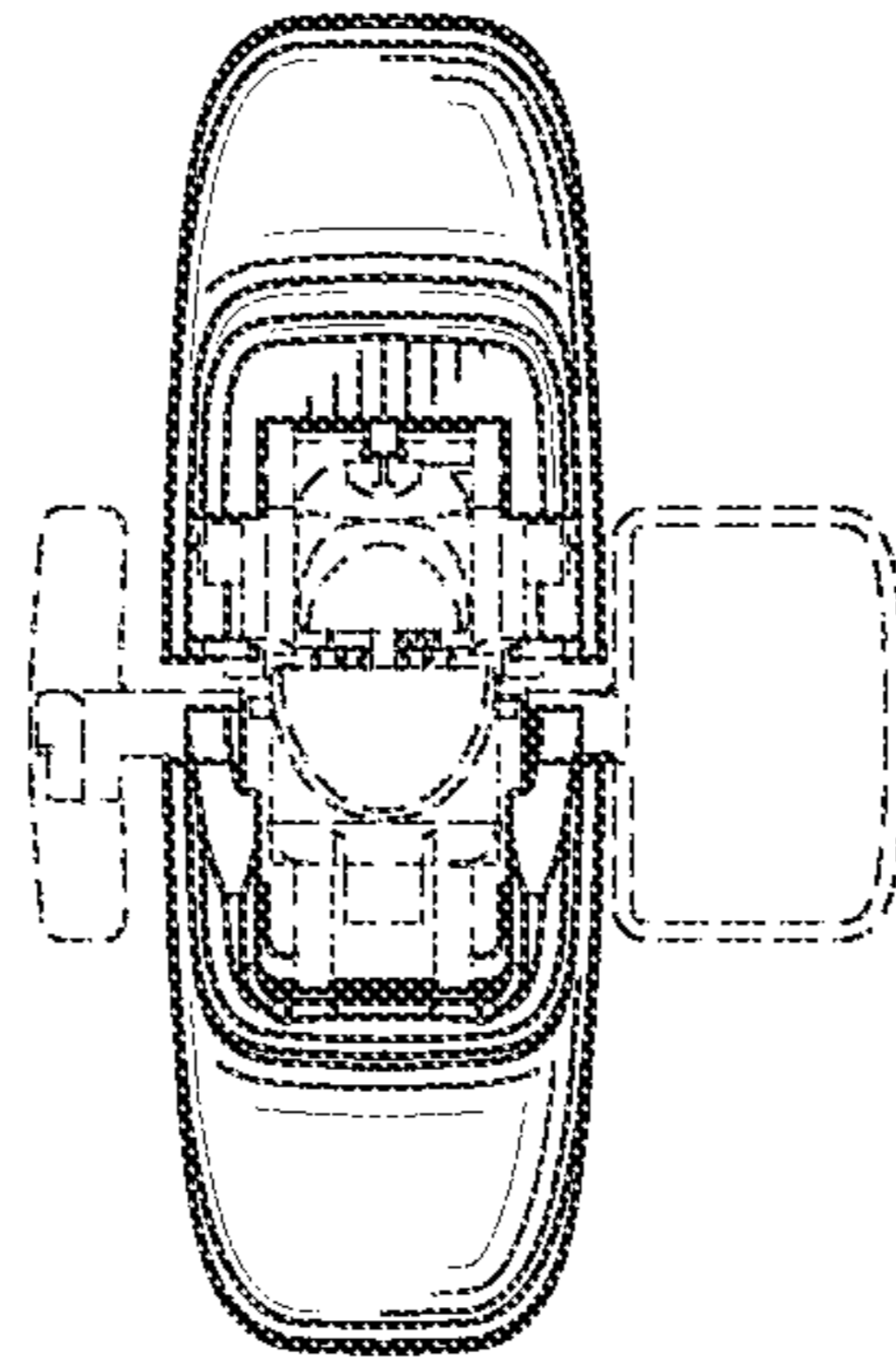


FIG. 9

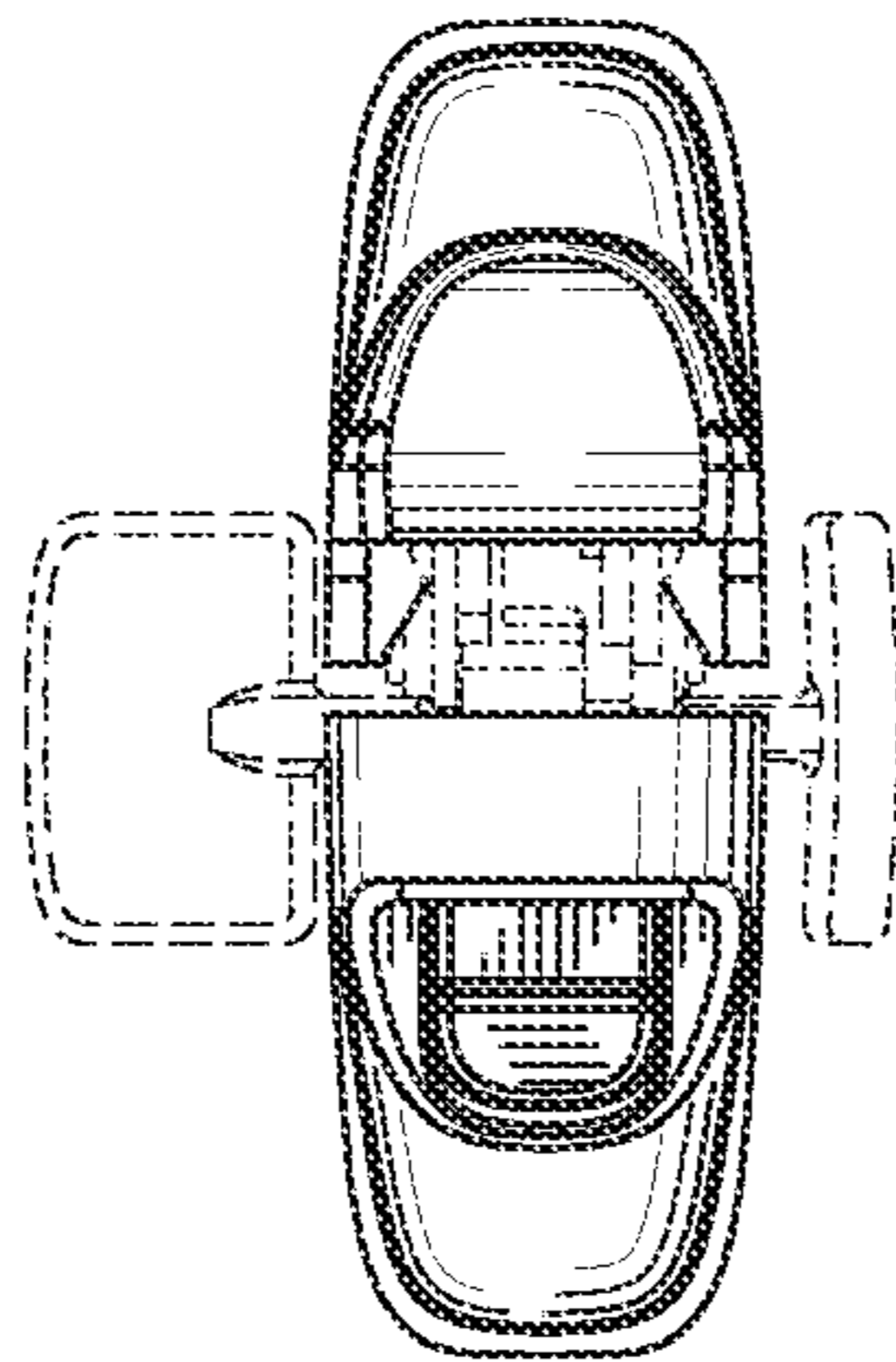


FIG. 10

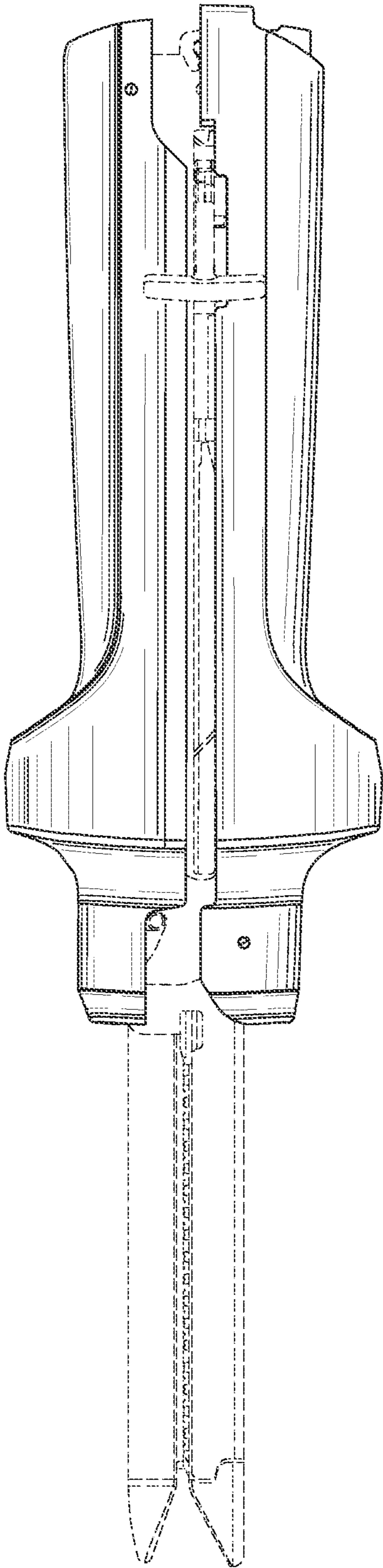


FIG. 11

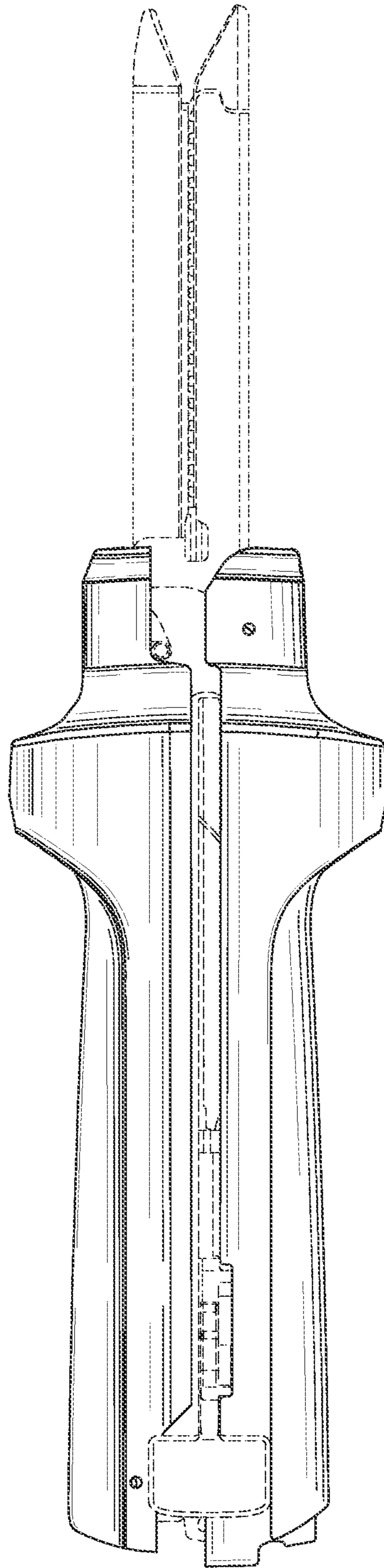


FIG. 12

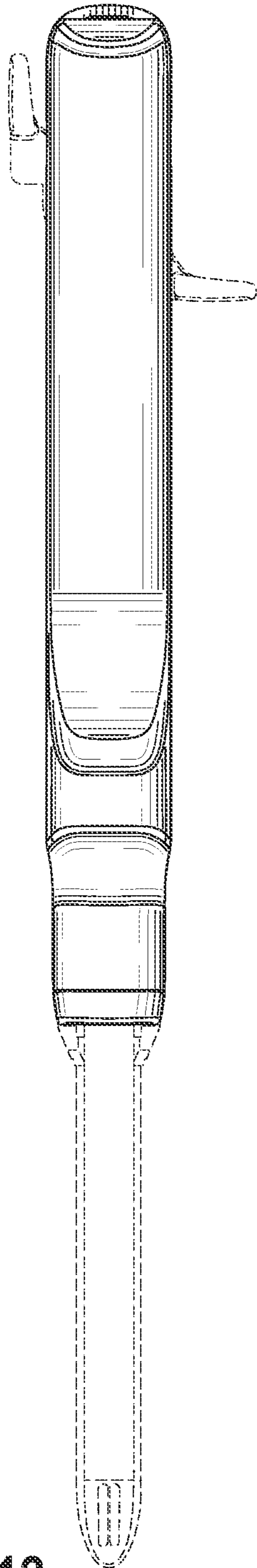


FIG. 13

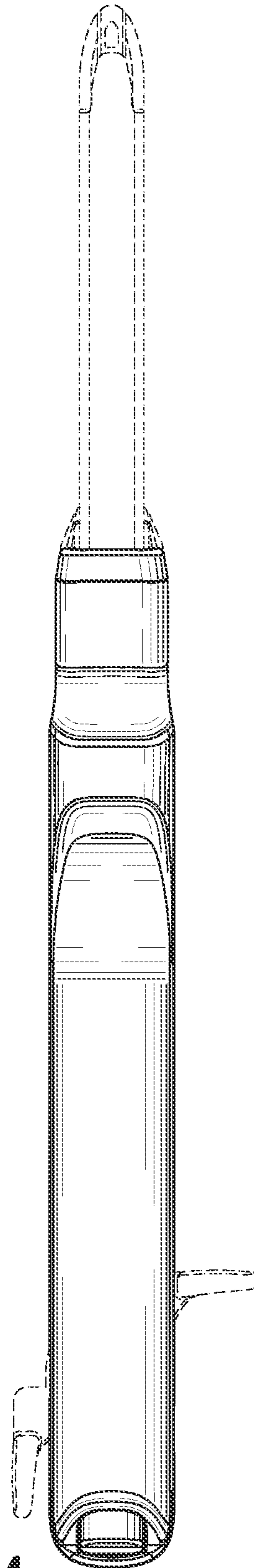


FIG. 14