



US00D913494S

(12) **United States Design Patent** (10) **Patent No.:** **US D913,494 S**
Andersen (45) **Date of Patent:** **** Mar. 16, 2021**

(54) **VAGINAL PLUG**
(71) Applicant: **Invent Medic Sweden AB**, Lund (SE)
(72) Inventor: **Line Irene Andersen**, Oslo (NO)
(73) Assignee: **INVENT MEDIC SWEDEN AB**,
Lund (SE)
(**) Term: **15 Years**
(21) Appl. No.: **29/666,186**
(22) Filed: **Oct. 10, 2018**

(30) **Foreign Application Priority Data**
Apr. 11, 2018 (EM) 005230521
(51) **LOC (13) Cl.** **24-02**
(52) **U.S. Cl.**
USPC **D24/141**
(58) **Field of Classification Search**
USPC D24/107, 121, 124, 125, 141, 200, 215;
D7/700; 604/328, 329, 330
CPC A61F 5/455; A61F 5/4553; A61F 13/2045;
A61F 6/06; A61F 6/08; A61F 6/12; A61F
2/04; A61F 2/005; A61F 2/0009; A61F
2/0027; A61F 2/0036; A61F 2/0045;
A61B 1/303; A61H 21/00; A61H 19/00;
A61H 19/40; A61H 19/44; A61J 1/00;
A61J 1/05
See application file for complete search history.

(56) **References Cited**
U.S. PATENT DOCUMENTS
D509,592 S * 9/2005 Talbot D24/214
D712,059 S * 8/2014 Sedic D24/215

9,445,882 B2 * 9/2016 Henriksson A61F 2/005
D820,992 S * 6/2018 King D24/200
D827,135 S * 8/2018 Sedic D24/141
D829,922 S * 10/2018 Sedic D24/215
D831,207 S * 10/2018 Shalon D24/141
D845,478 S * 4/2019 Luke D24/141
D877,904 S * 3/2020 Takashima D24/141
D883,504 S * 5/2020 Takashima D24/215
D883,505 S * 5/2020 Takashima D24/215
D883,506 S * 5/2020 Takashima D24/215
2014/0228629 A1 * 8/2014 Baetica A61H 19/34
600/38
2020/0214617 A1 * 7/2020 Sham A61B 5/11

* cited by examiner

Primary Examiner — Wan Laymon
Assistant Examiner — Clint A Samuel
(74) *Attorney, Agent, or Firm* — Norris McLaughlin, P.A.

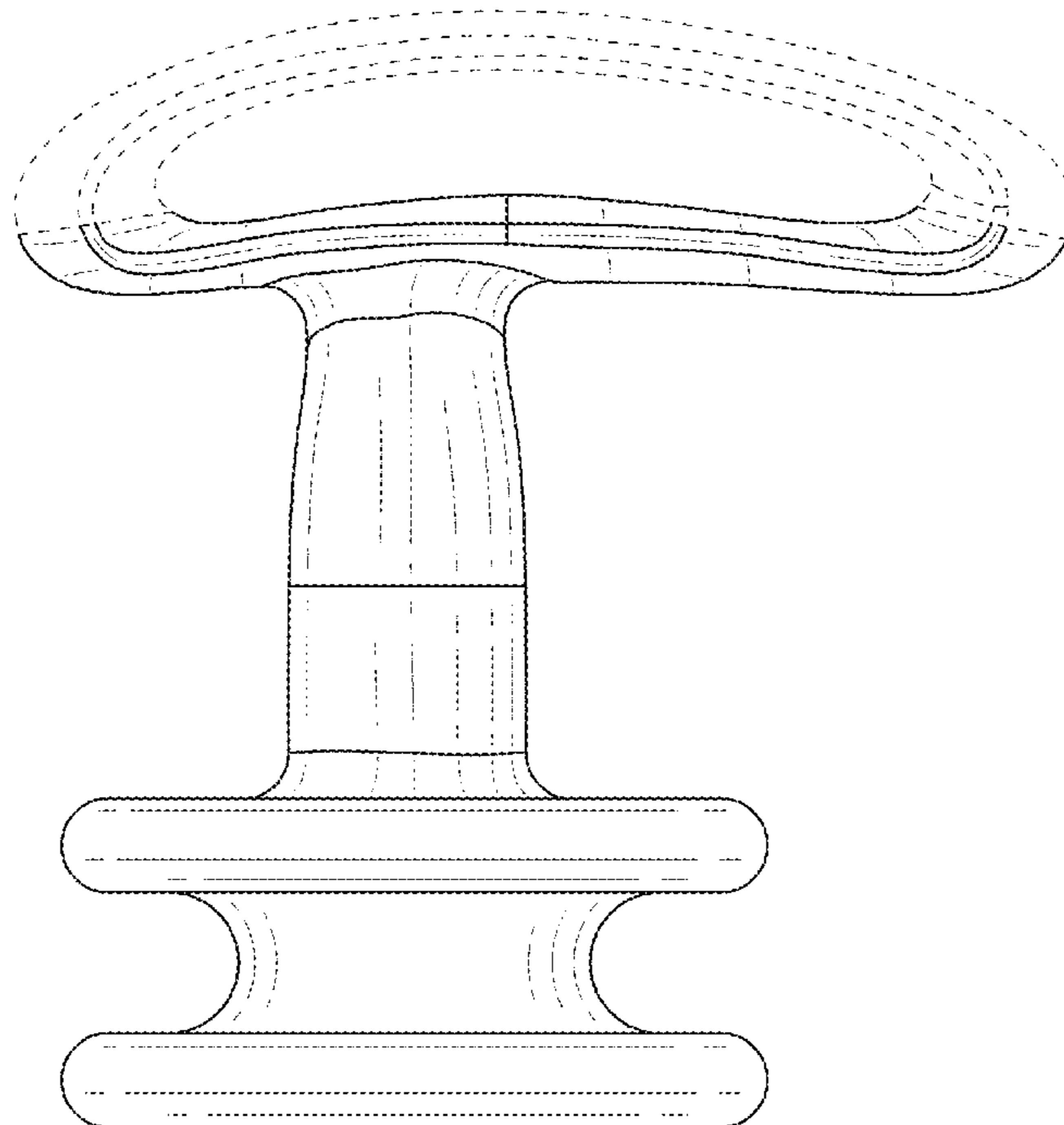
(57) **CLAIM**

The ornamental design for a vaginal plug, as shown and described.

DESCRIPTION

FIG. 1 is a first side view of a first embodiment of a vaginal plug;
FIG. 2 is a bottom view thereof;
FIG. 3 is a top view thereof;
FIG. 4 is a front view thereof;
FIG. 5 is a back view thereof; and,
FIG. 6 is a second side view thereof.
Portions of the figures enclosed in broken line form no part of the claimed design.

1 Claim, 6 Drawing Sheets



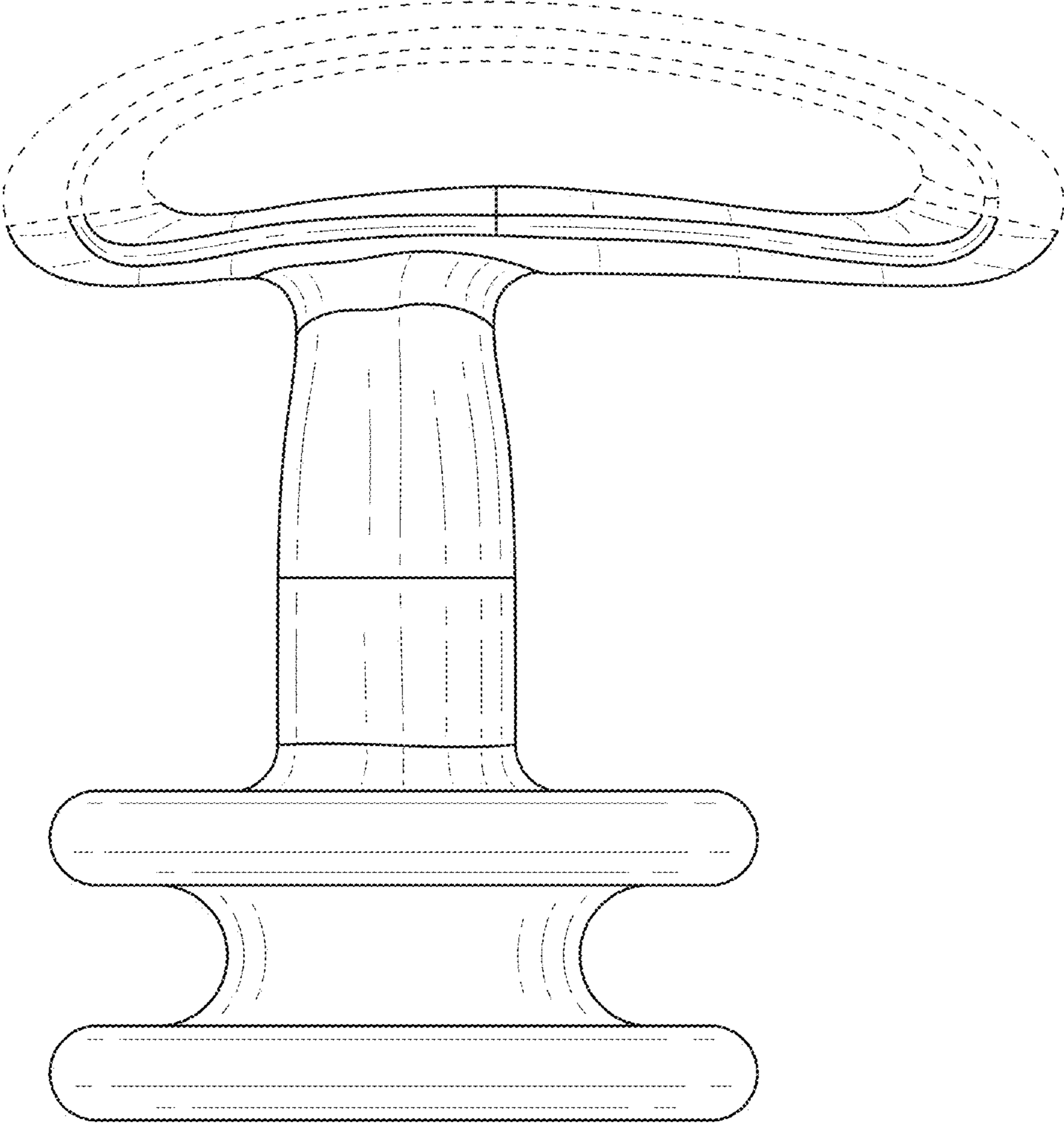


FIG. 1

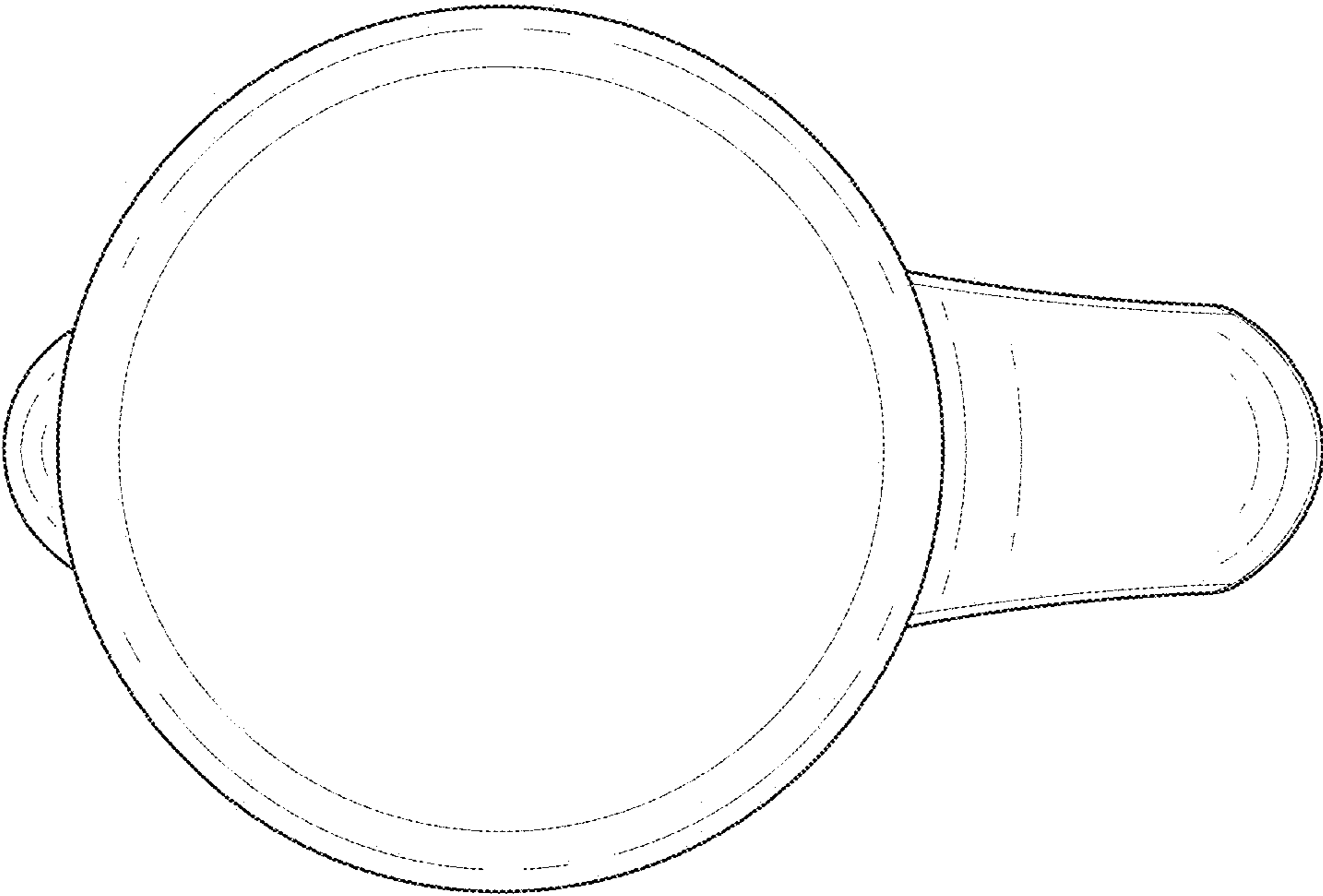


FIG. 2

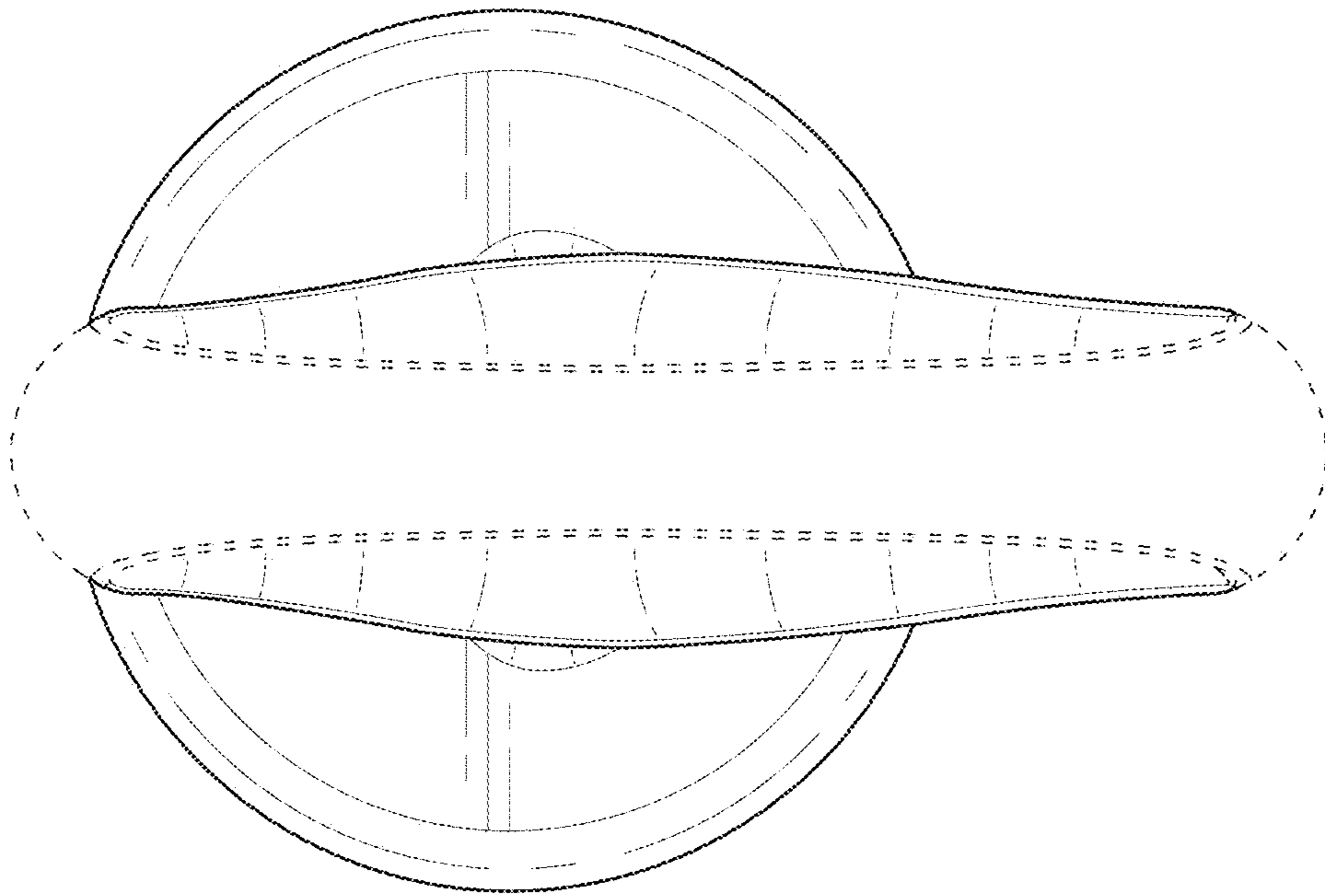


FIG. 3

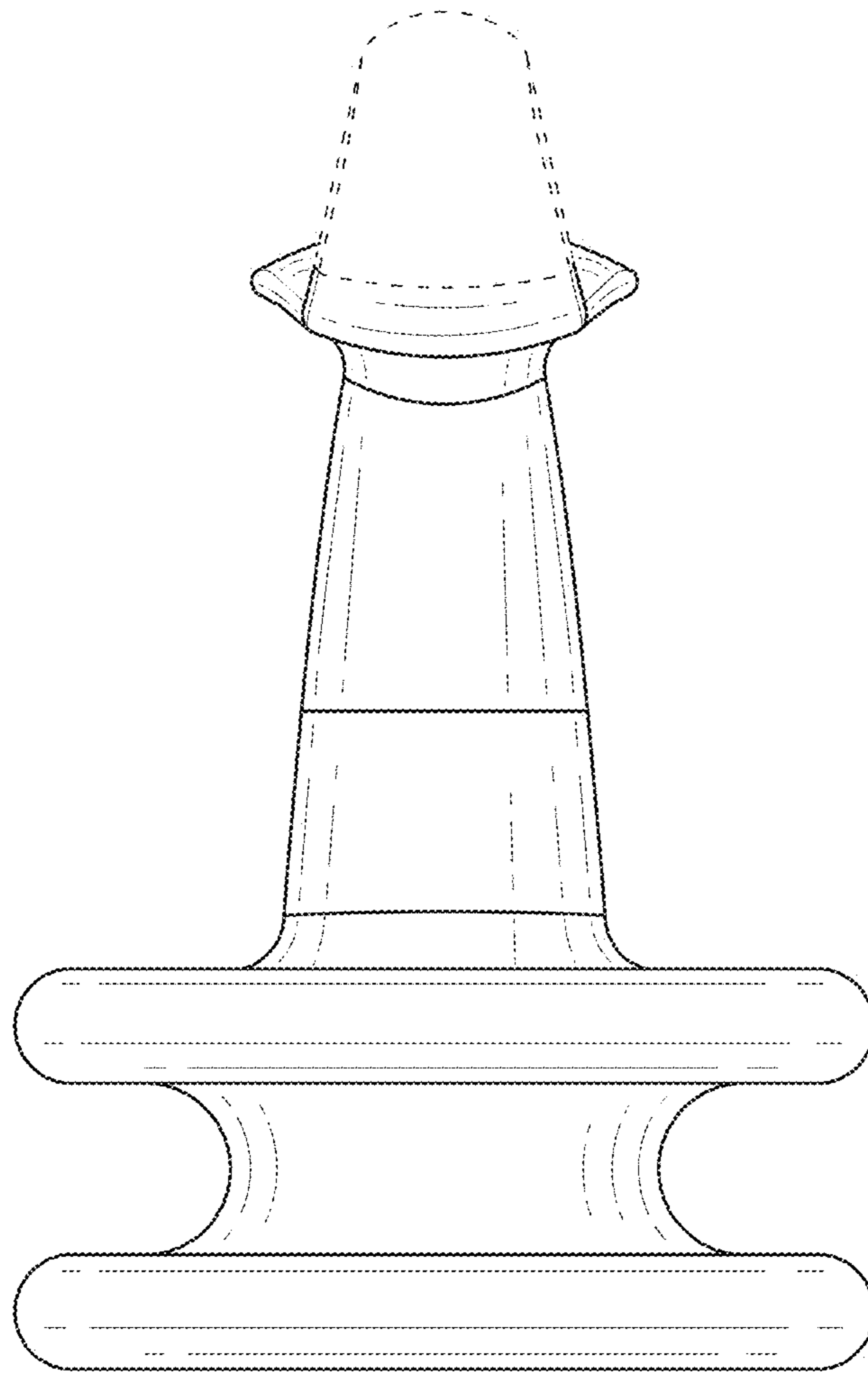


FIG. 4

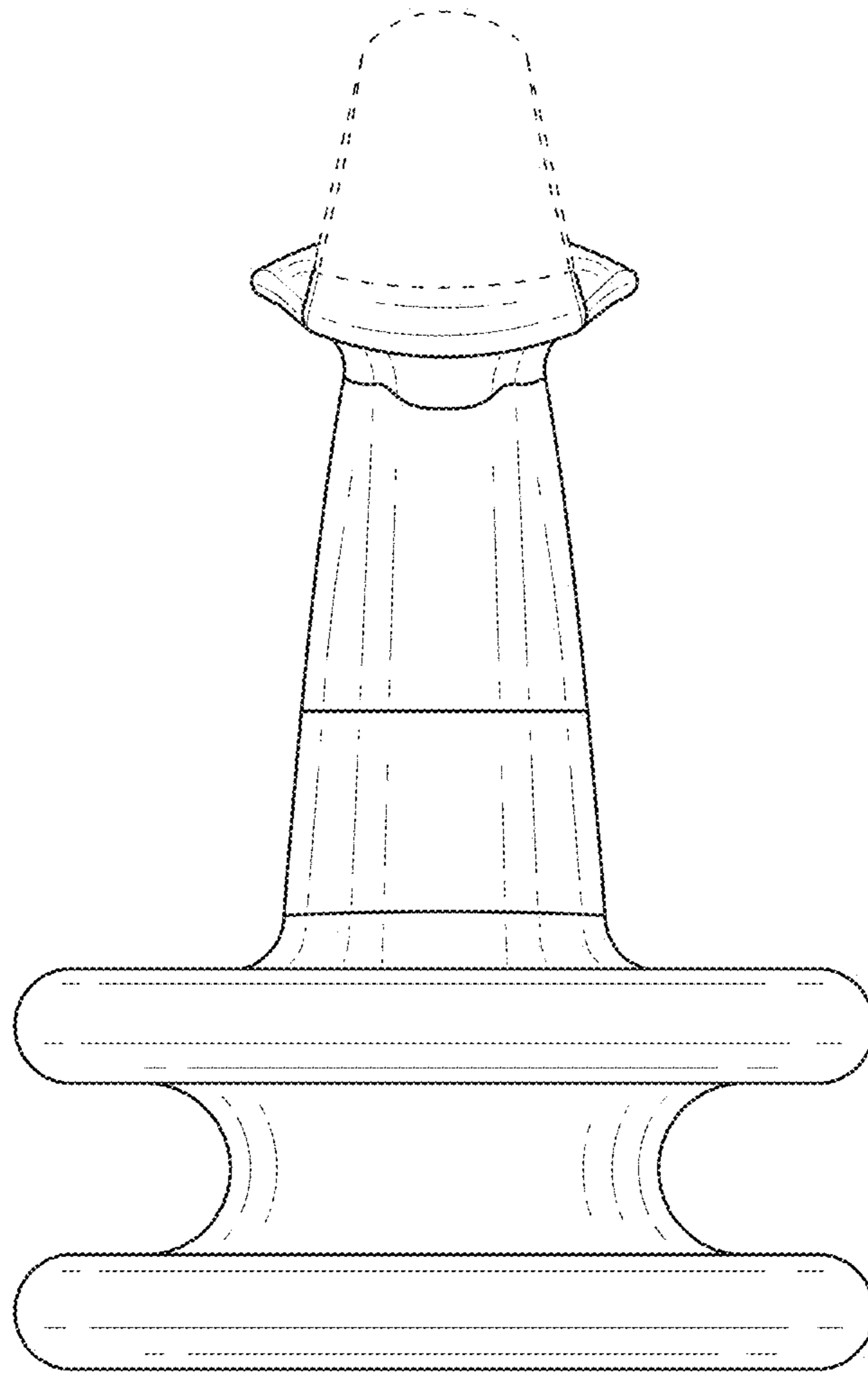


FIG. 5

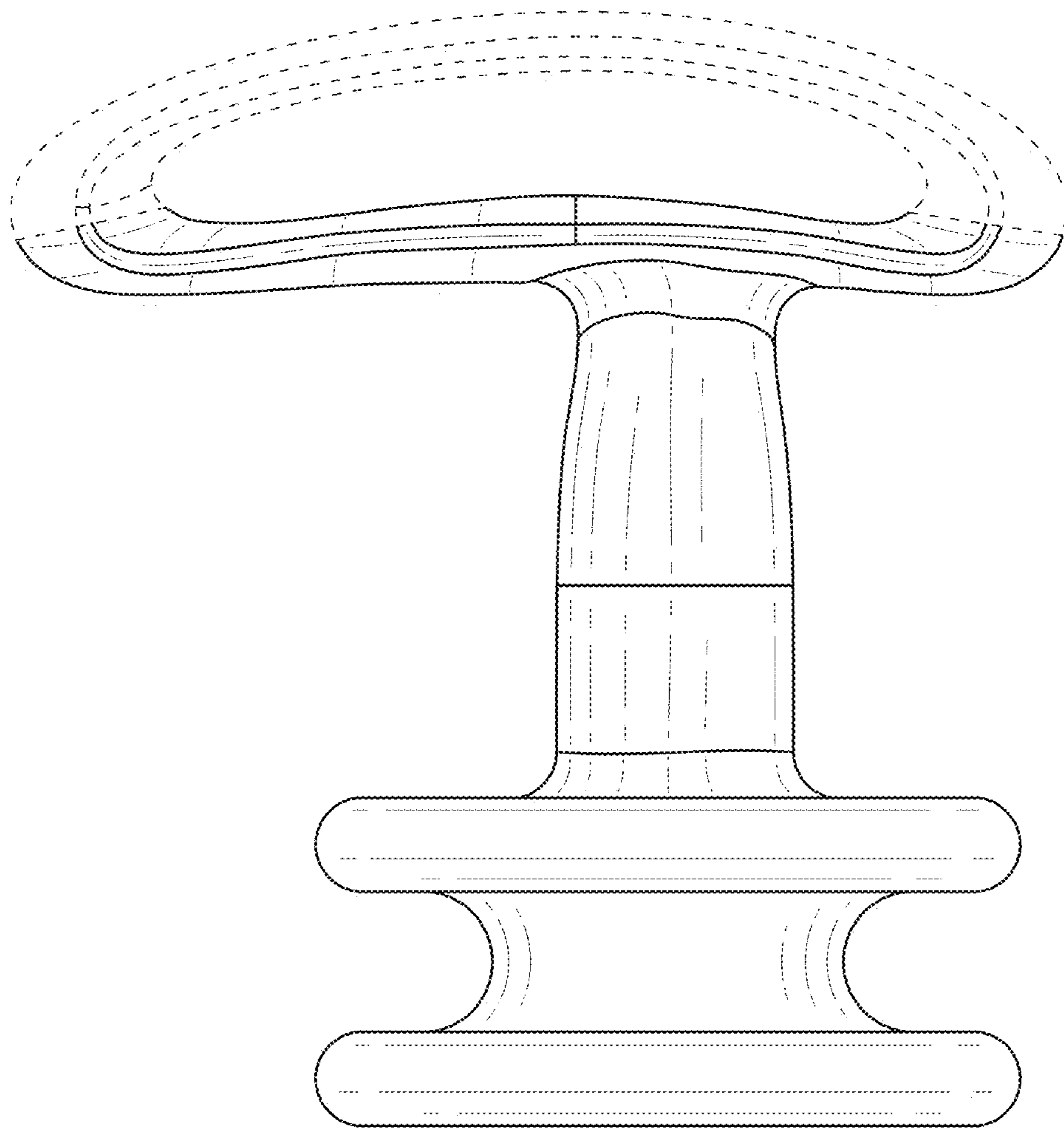


FIG. 6