



US00D913491S

(12) **United States Design Patent**
Hein

(10) **Patent No.:** **US D913,491 S**
(45) **Date of Patent:** **** Mar. 16, 2021**

- (54) **FEMALE URINATION DEVICE**
- (71) Applicant: **Aung A. Hein**, Singapore (SG)
- (72) Inventor: **Aung A. Hein**, Singapore (SG)
- (**) Term: **15 Years**
- (21) Appl. No.: **29/701,387**
- (22) Filed: **Aug. 12, 2019**
- (51) **LOC (13) Cl.** **24-04**
- (52) **U.S. Cl.**
USPC **D24/122**
- (58) **Field of Classification Search**
USPC D24/121–123, 117, 224; D23/276, 295,
D23/302, 274, 309, 200; 4/450–460,
4/144.1–144.4, DIG. 5; 600/573, 574;
604/329, 317, 318, 334; D27/125
CPC A61G 9/00; A61G 9/006; A61G 9/003
See application file for complete search history.

- D495,798 S * 9/2004 Gugliotta D24/122
- D499,482 S * 12/2004 Gugliotta D24/122
- D585,970 S * 2/2009 Dereci D23/302
- D650,902 S * 12/2011 Lopez, Jr. D24/122
- D674,087 S * 1/2013 Linton D24/122
- D726,903 S * 4/2015 Beyers D24/122
- D731,052 S * 6/2015 Doerr D24/121
- D757,257 S * 5/2016 Grossman D24/122
- D760,383 S * 6/2016 Delarosa D24/122
- D770,613 S * 11/2016 Roberts D24/122
- D802,123 S * 11/2017 Jones D24/122
- D824,513 S * 7/2018 Castriota D24/122
- D842,985 S * 3/2019 Heckerman D24/122
- D862,692 S * 10/2019 Leon Rovira D24/127

FOREIGN PATENT DOCUMENTS

EP 0555607 A1 * 8/1993 A61G 9/006

* cited by examiner

Primary Examiner — David G Muller

(57) **CLAIM**

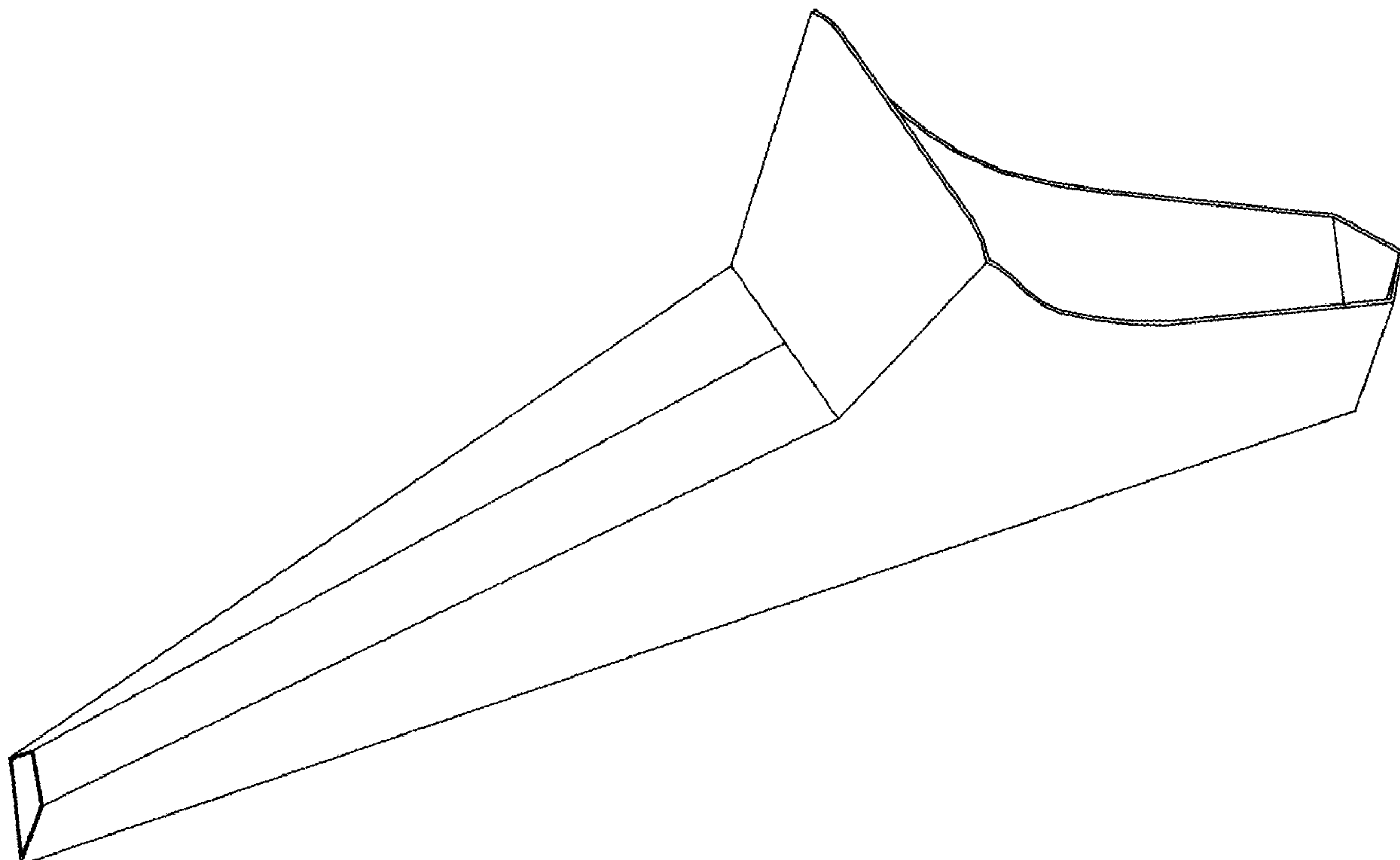
The ornamental design for a female urination device, as shown.

DESCRIPTION

FIG. 1 is a left, front, top perspective view,
FIG. 2 is a right, front, top perspective view,
FIG. 3 is a right, front perspective view,
FIG. 4 is a front elevation view,
FIG. 5 is a right elevation view,
FIG. 6 is a left elevation view; and,
FIG. 7 is a top plan view.

1 Claim, 3 Drawing Sheets

- (56) **References Cited**
U.S. PATENT DOCUMENTS
2,878,486 A * 3/1959 Bartlett A61F 5/4556
4/144.4
D302,042 S * 7/1989 McGovern D24/122
D371,601 S * 7/1996 Markles D24/122
D374,281 S * 10/1996 Markles D24/122
6,202,225 B1 * 3/2001 Beck A61F 5/4556
141/337
6,719,741 B2 * 4/2004 Ching A61F 5/4556
604/329



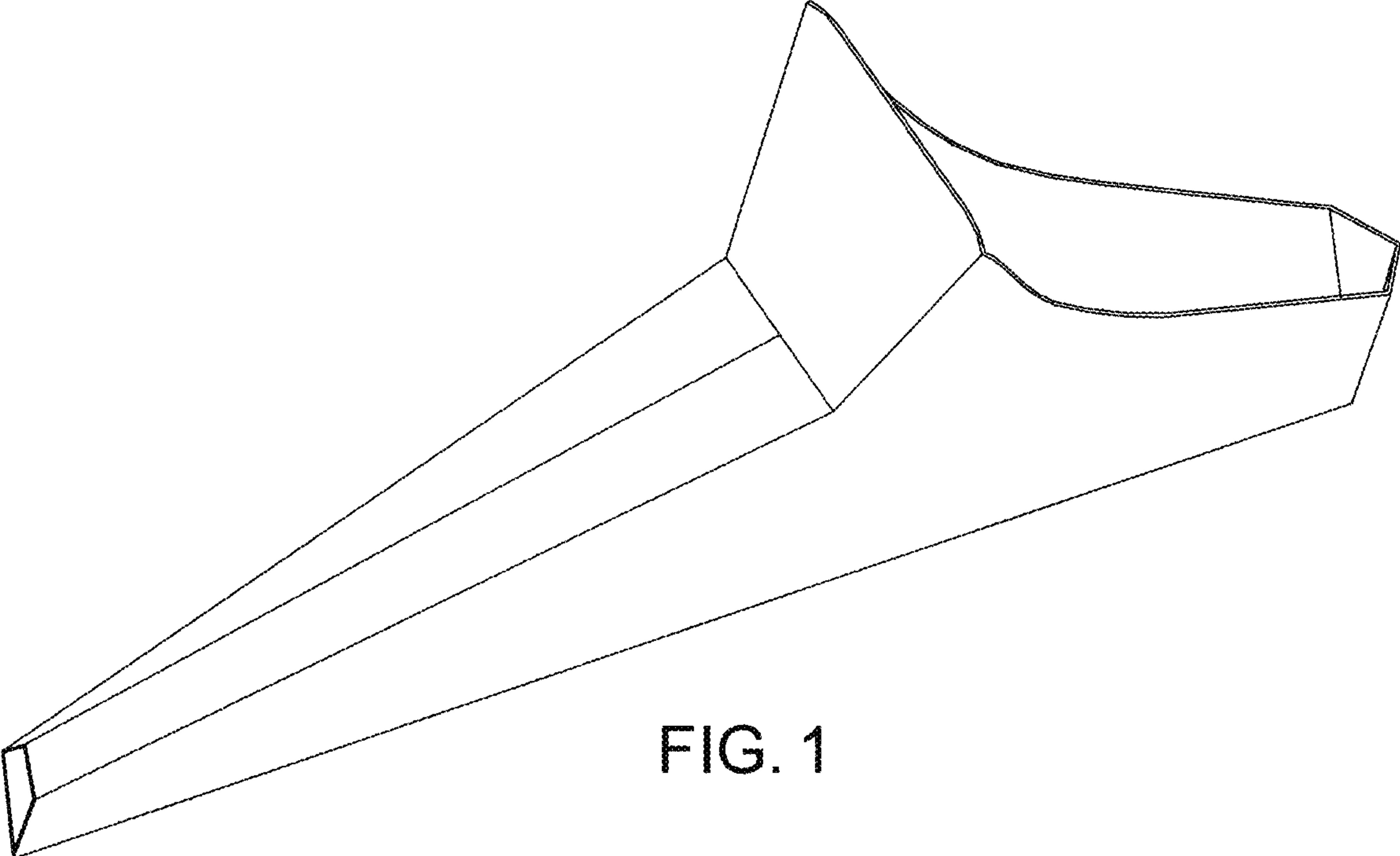


FIG. 1

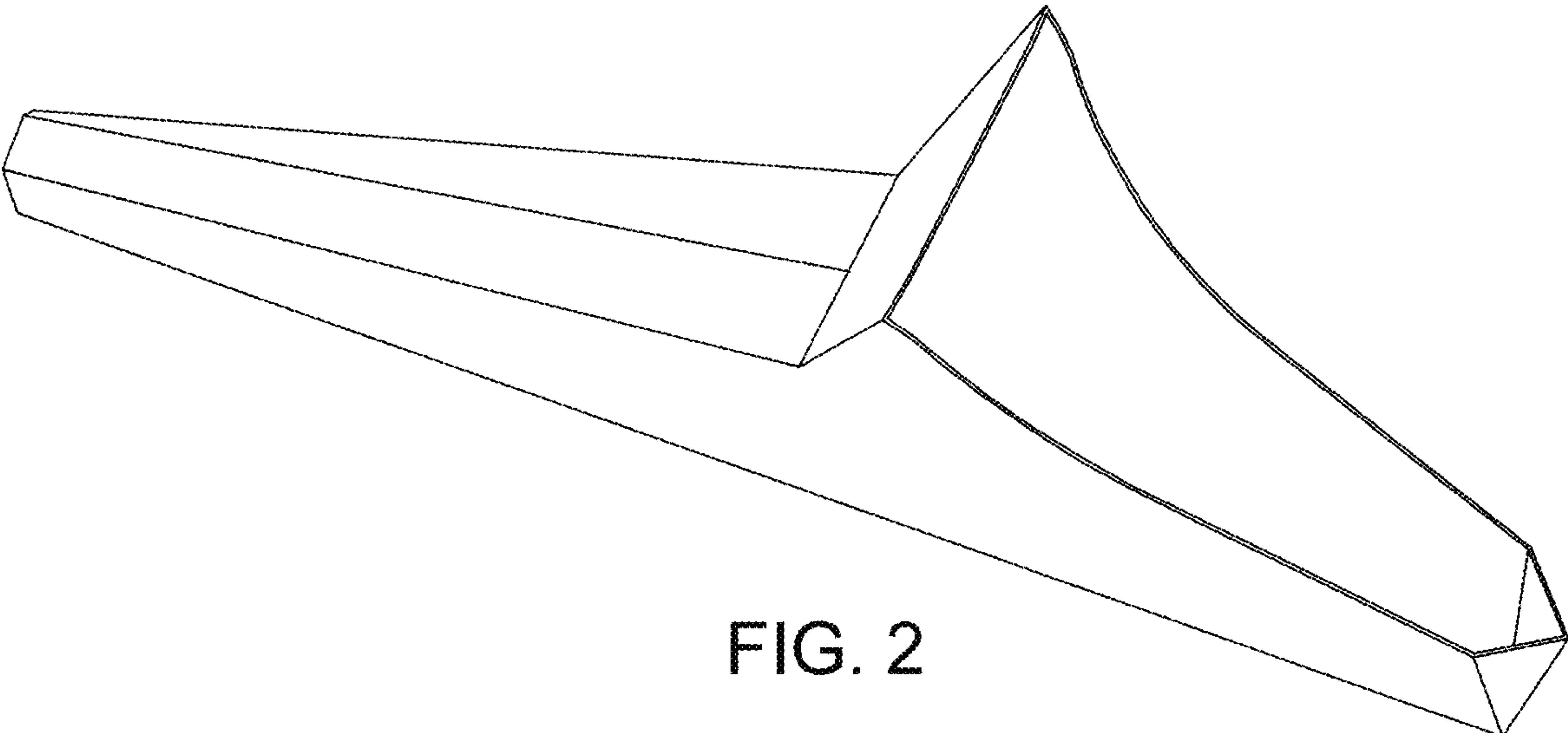


FIG. 2

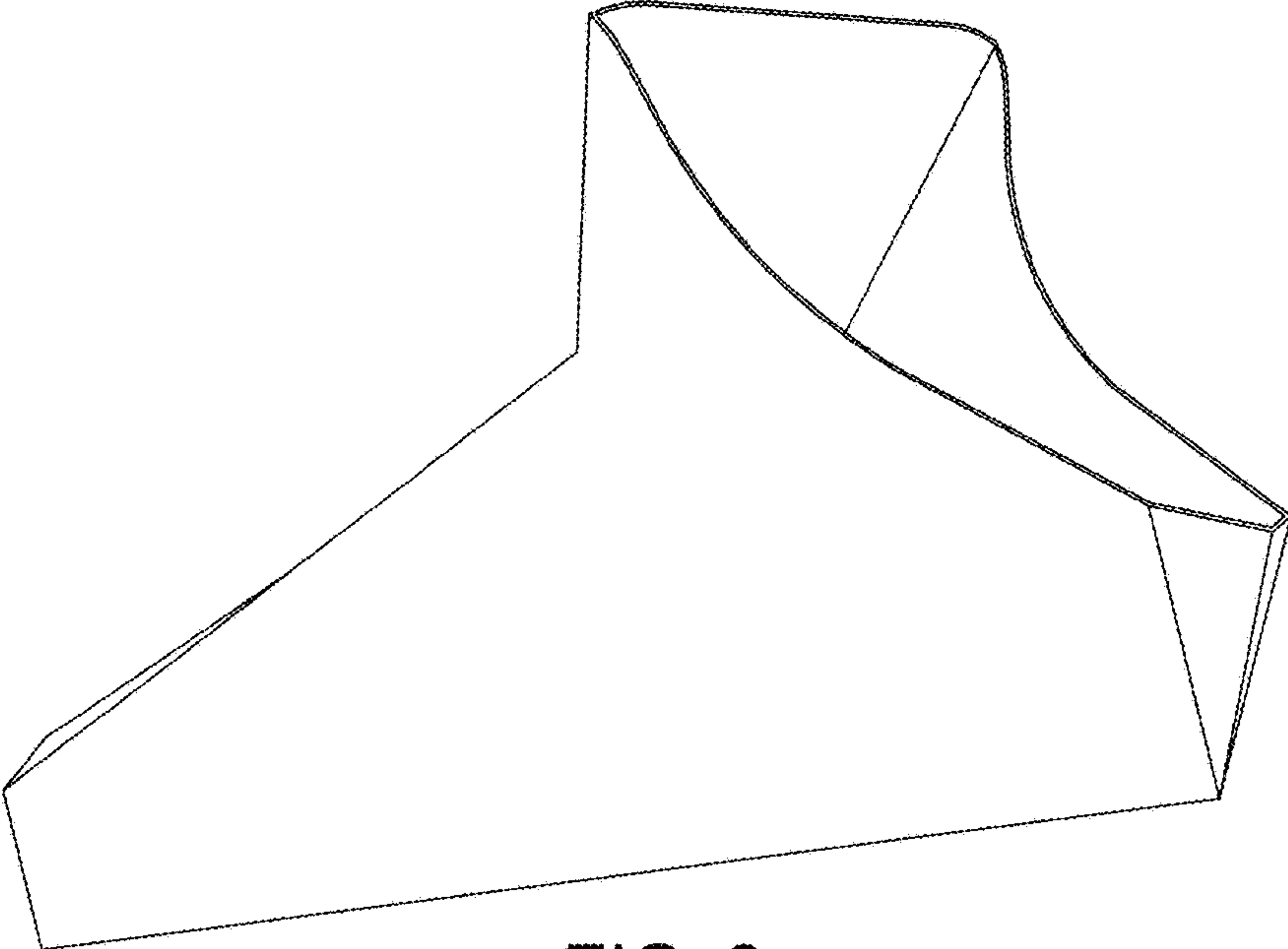


FIG. 3

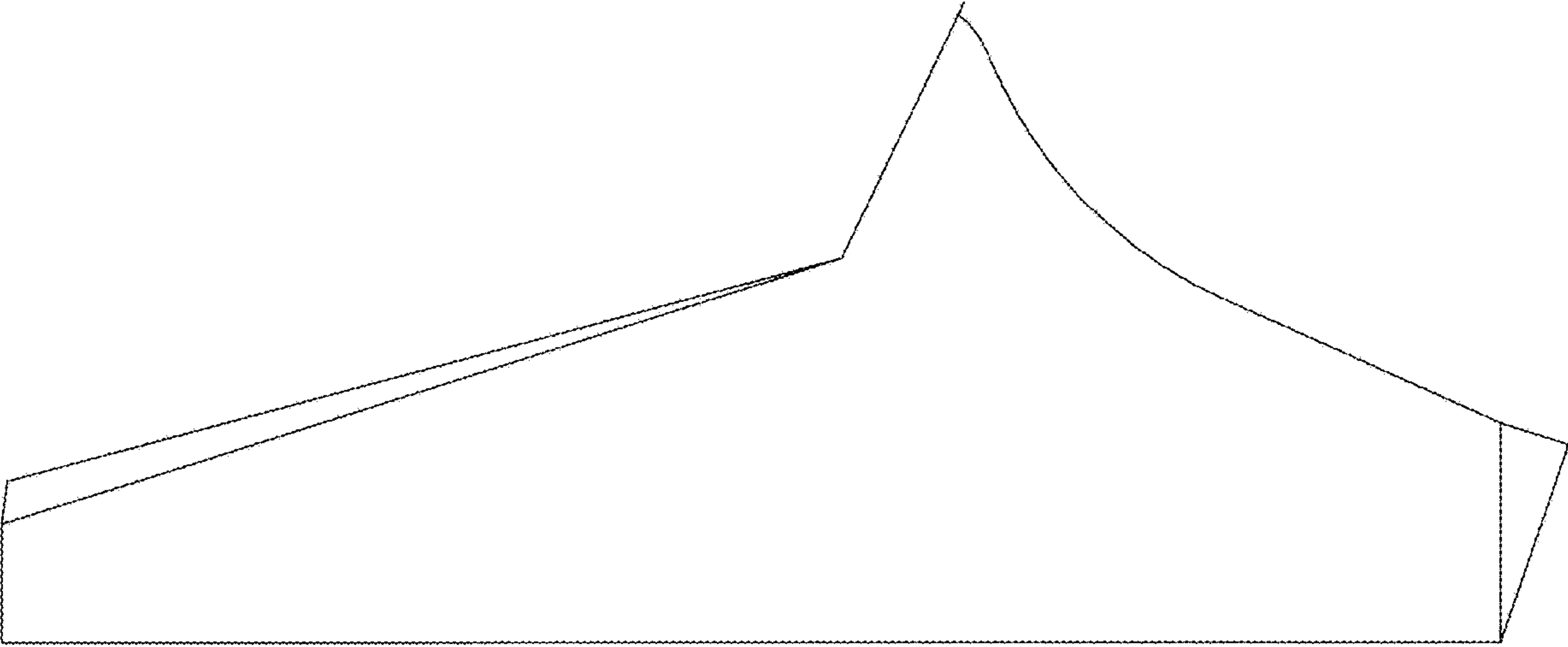


FIG. 4

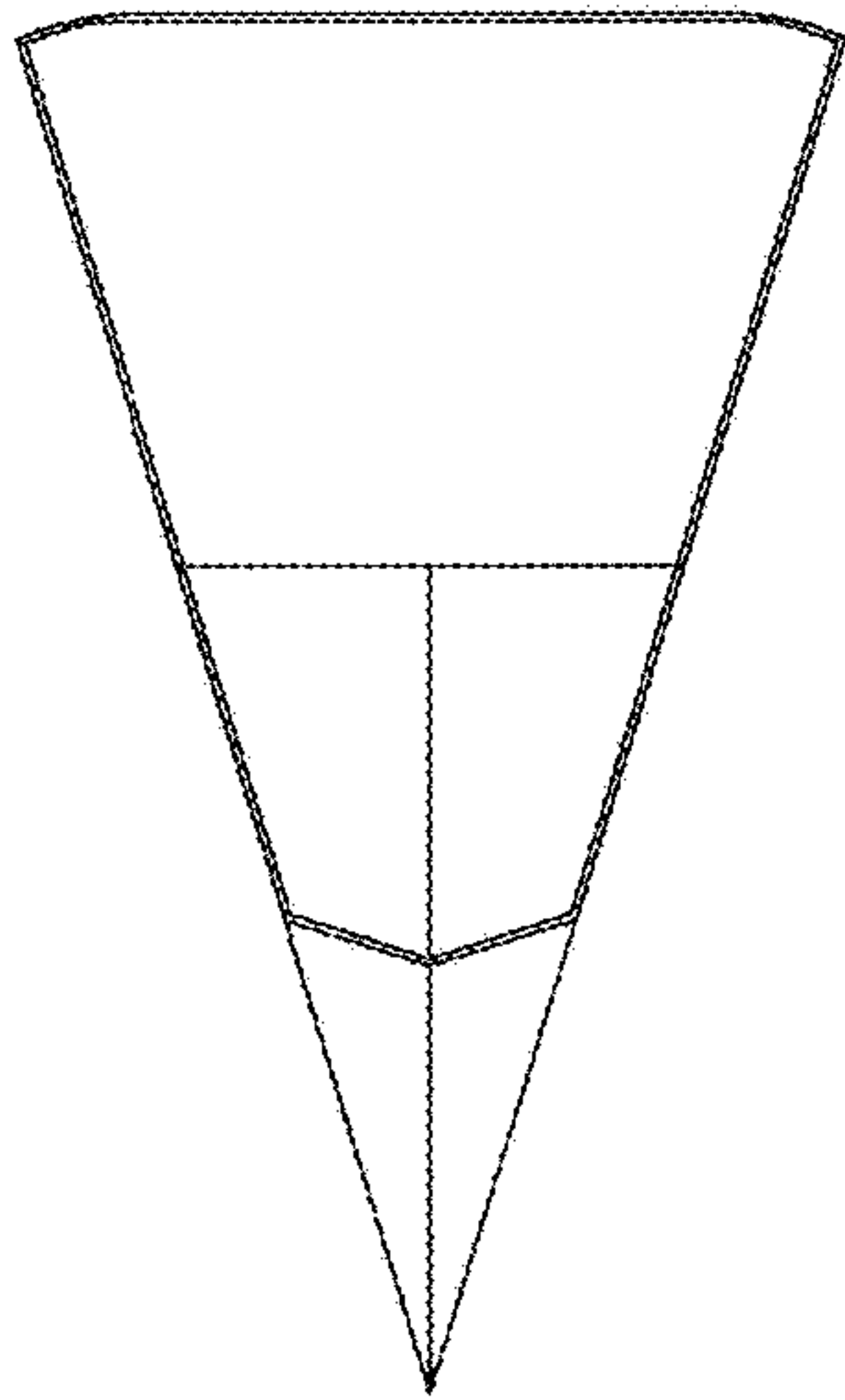


FIG. 5

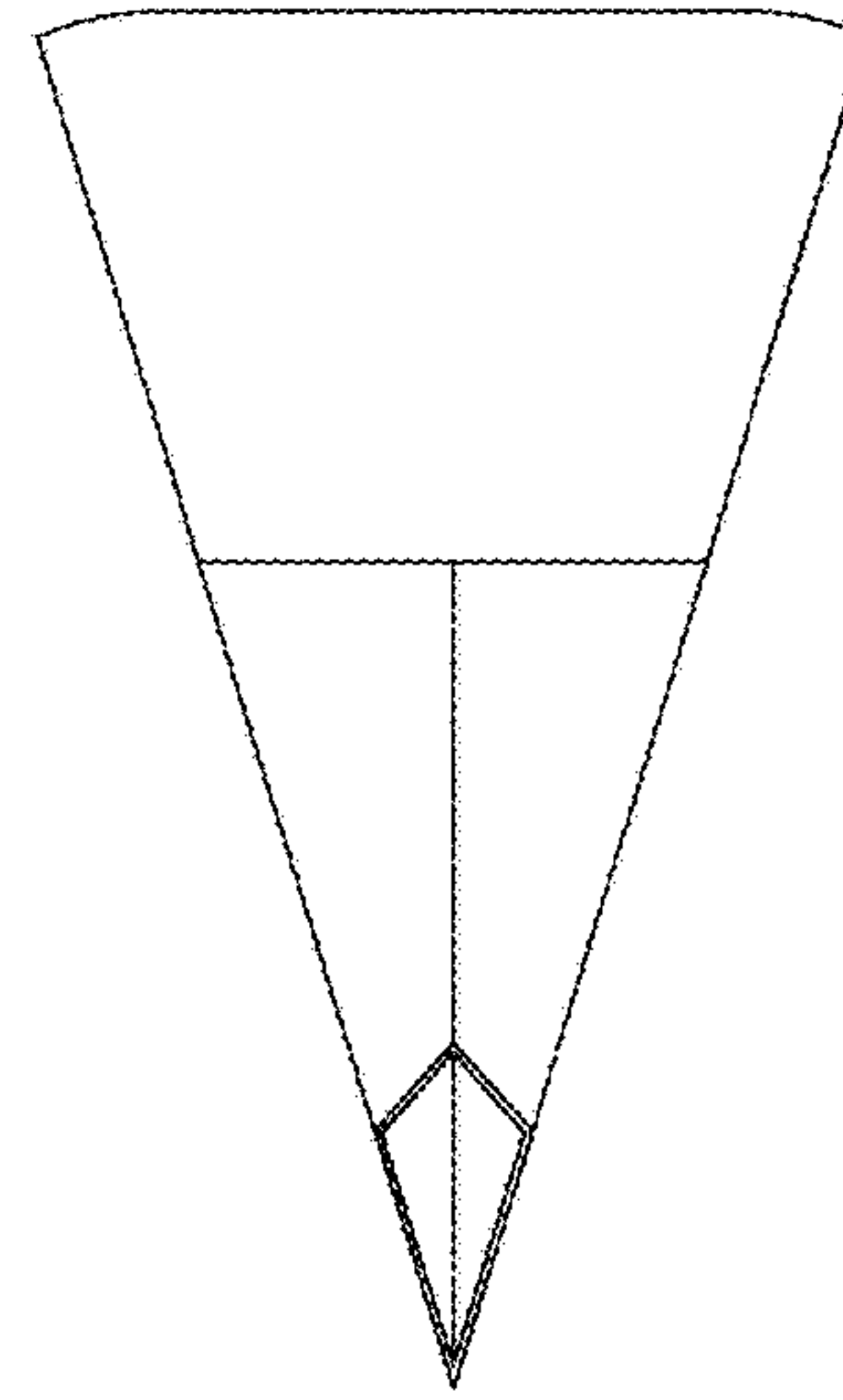


FIG. 6

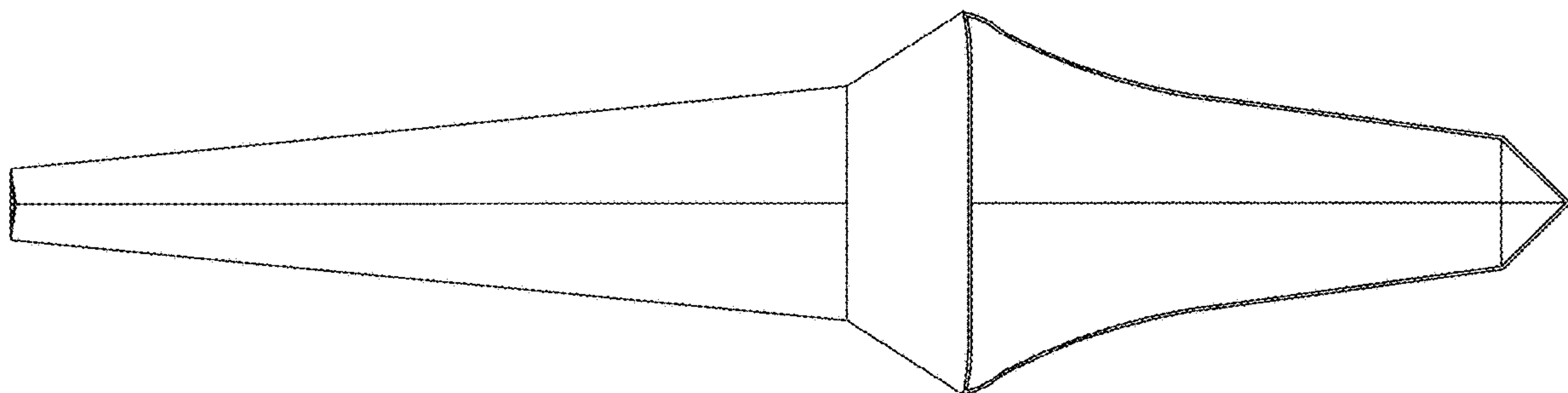


FIG. 7