



US00D913488S

(12) **United States Design Patent** (10) **Patent No.:** **US D913,488 S**
Ransome (45) **Date of Patent:** **** Mar. 16, 2021**

(54) **ORAL SYRINGE**

(71) Applicant: **John B. Ransome**, Fairfield, CT (US)

(72) Inventor: **John B. Ransome**, Fairfield, CT (US)

(**) Term: **15 Years**

(21) Appl. No.: **29/638,957**

(22) Filed: **Mar. 2, 2018**

Related U.S. Application Data

(63) Continuation of application No. 14/867,374, filed on Sep. 28, 2015, now Pat. No. 9,907,912.

(51) **LOC (13) Cl.** **24-02**

(52) **U.S. Cl.**
USPC **D24/114**

(58) **Field of Classification Search**
USPC D24/112-114, 108, 133, 130, 127, 186;
606/181, 185; 604/264, 272, 187, 181,
604/184, 227

(Continued)

(56) **References Cited**

U.S. PATENT DOCUMENTS

3,424,158 A 1/1969 Silver
4,704,105 A * 11/1987 Adorjan A61M 5/315
604/222

(Continued)

Primary Examiner — David G Muller

(74) *Attorney, Agent, or Firm* — Ware, Fressola, Maguire & Barber LLP

(57) **CLAIM**

The ornamental design for an oral syringe, including an oral syringe comprising a liquid or gelatinous substance, as shown and described herein.

DESCRIPTION

FIG. 1 is a top side view of an oral syringe comprising a liquid or gelatinous substance according to the invention.

FIG. 2 is a front side view of the oral syringe comprising a liquid or gelatinous substance according to the invention, with the rear side view being a mirror image thereof.

FIG. 3 is left side view of the oral syringe comprising a liquid or gelatinous substance according to the invention, with the right side view being a mirror image thereof.

FIG. 4 is a bottom side view of the oral syringe comprising a liquid or gelatinous substance according to the invention.

FIG. 5 is a perspective view of the oral syringe comprising a liquid or gelatinous substance according to the invention.

FIG. 6 is an exploded view of the oral syringe according to the invention, including a cylinder, a plunger and a sealing element.

FIG. 7 is a top side view of a cylinder of the oral syringe according to the invention.

FIG. 8 is a perspective view of the cylinder of the oral syringe according to the invention.

FIG. 9 is a front side view of the cylinder of the oral syringe according to the invention, with the rear side view being a mirror image thereof.

FIG. 10 is a perspective view of a plunger of the oral syringe according to the invention.

FIG. 11 is a top side view of the plunger of the oral syringe according to the invention.

FIG. 12 is a front side view of the plunger of the oral syringe according the invention with the rear side view, left side view and right side view all being a mirror image thereof.

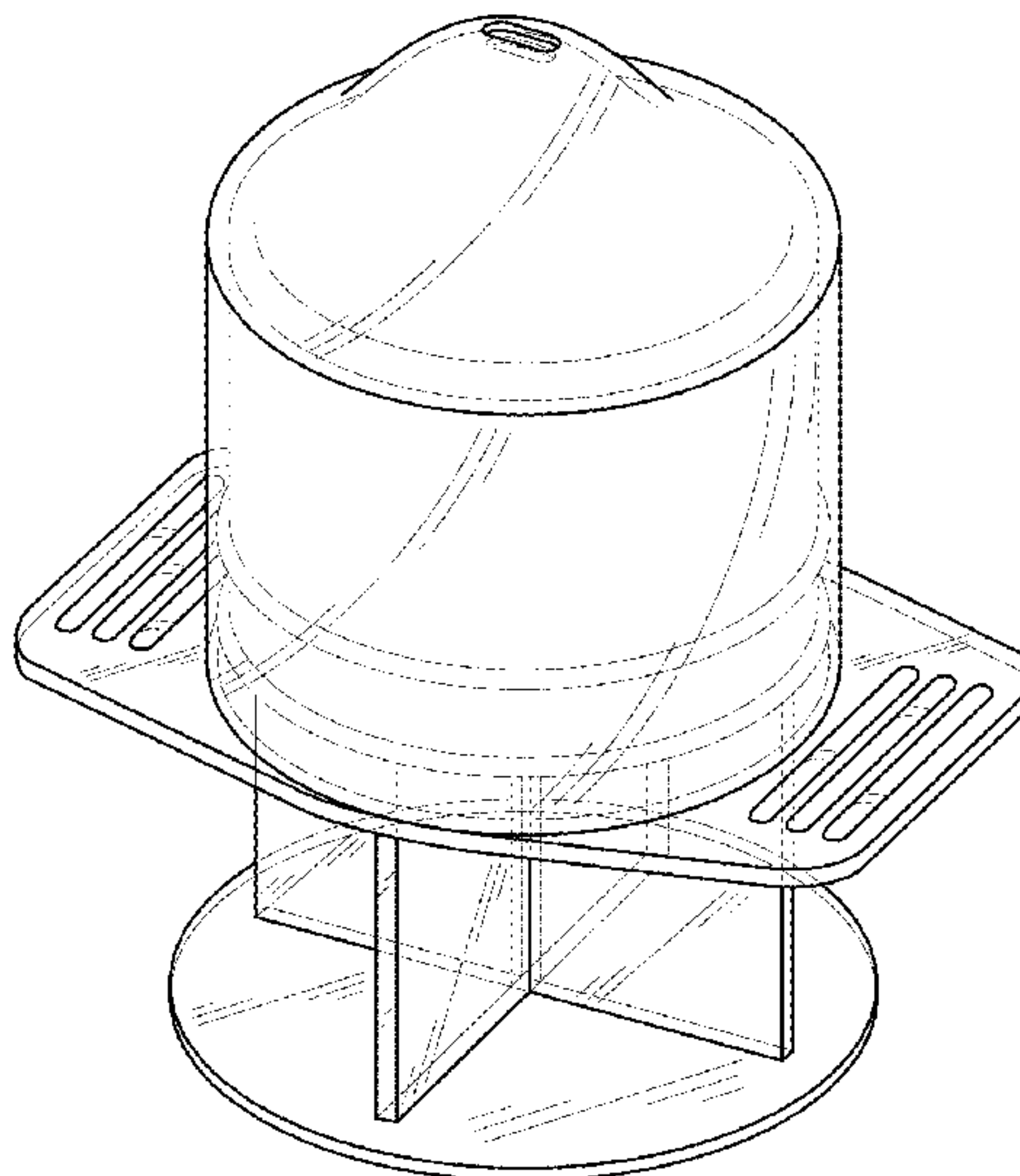
FIG. 13 is a perspective view of a sealing element of the oral syringe according to the invention; and,

FIG. 14 is a top side view of the sealing element of the oral syringe according to the invention.

The broken line showing parts of the drawing is for the purpose of illustrating use and environment and forms no part of the claimed design. Oblique line shading is provided to illustrate transparent surfaces.

Color is not claimed as a feature of the ornamental design. The various views in FIGS. 6-14 of the components of the oral syringe of FIGS. 1-5 are shown separately for ease of illustration.

1 Claim, 7 Drawing Sheets



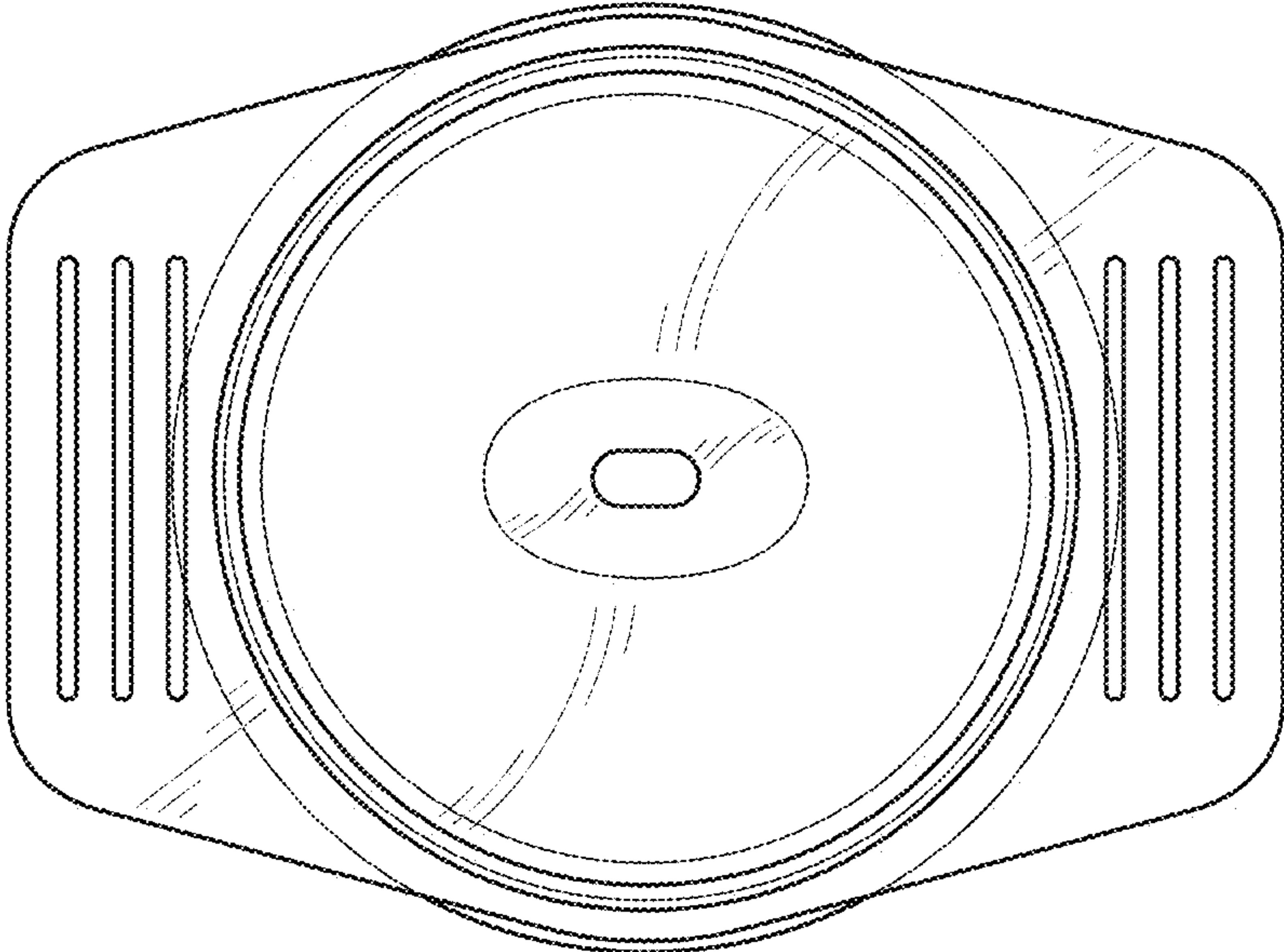


FIG. 1

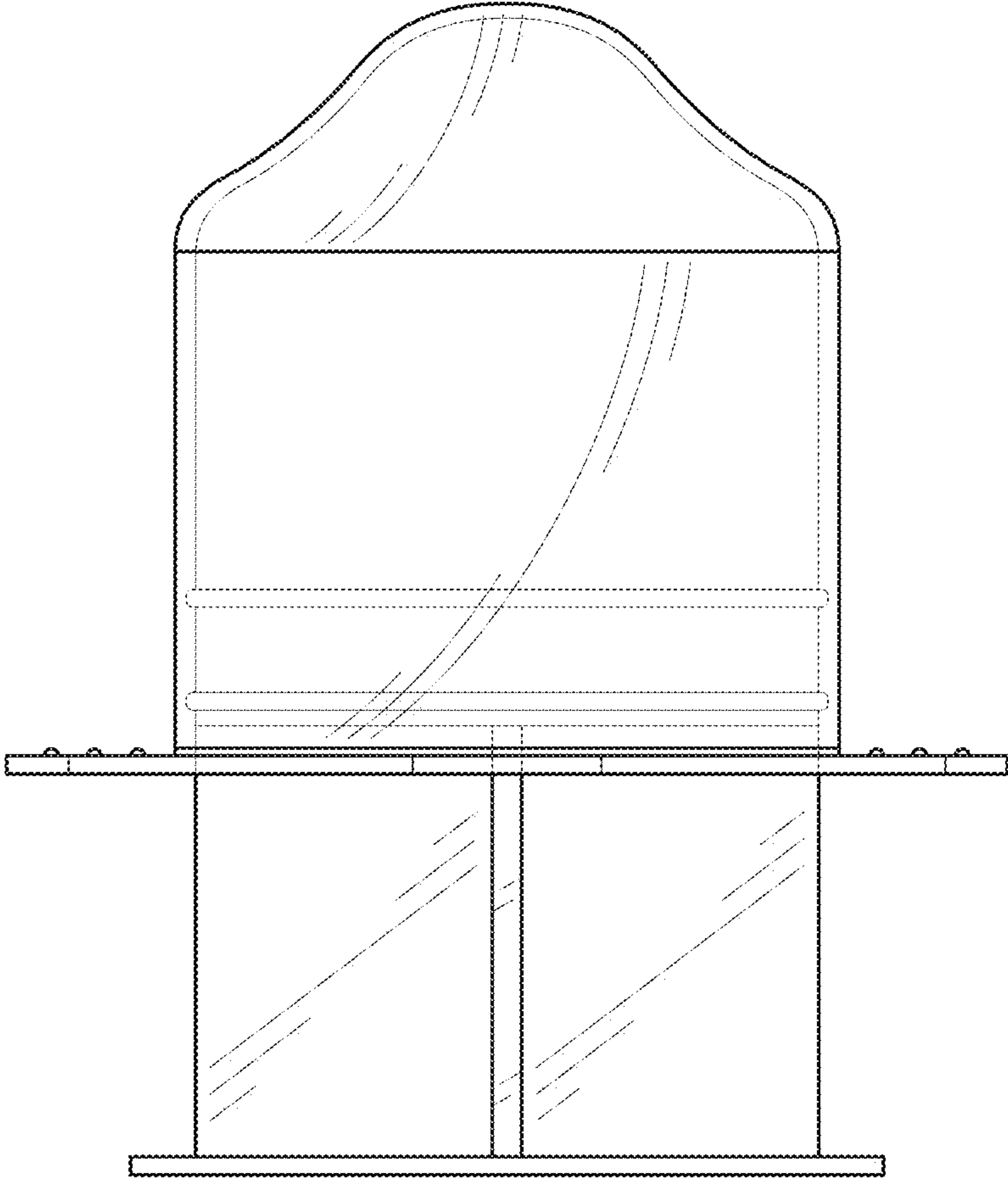


FIG. 2

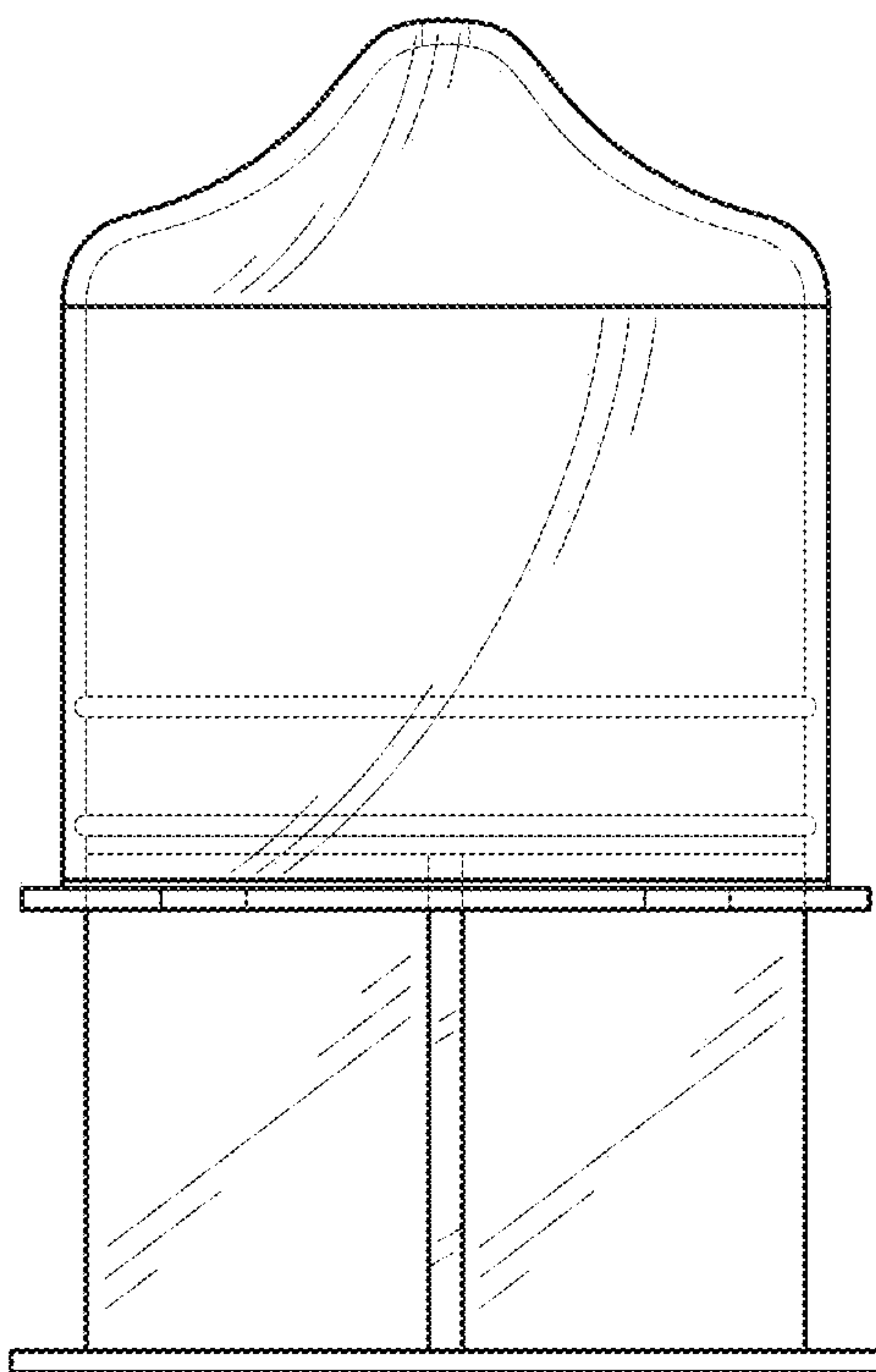


FIG. 3

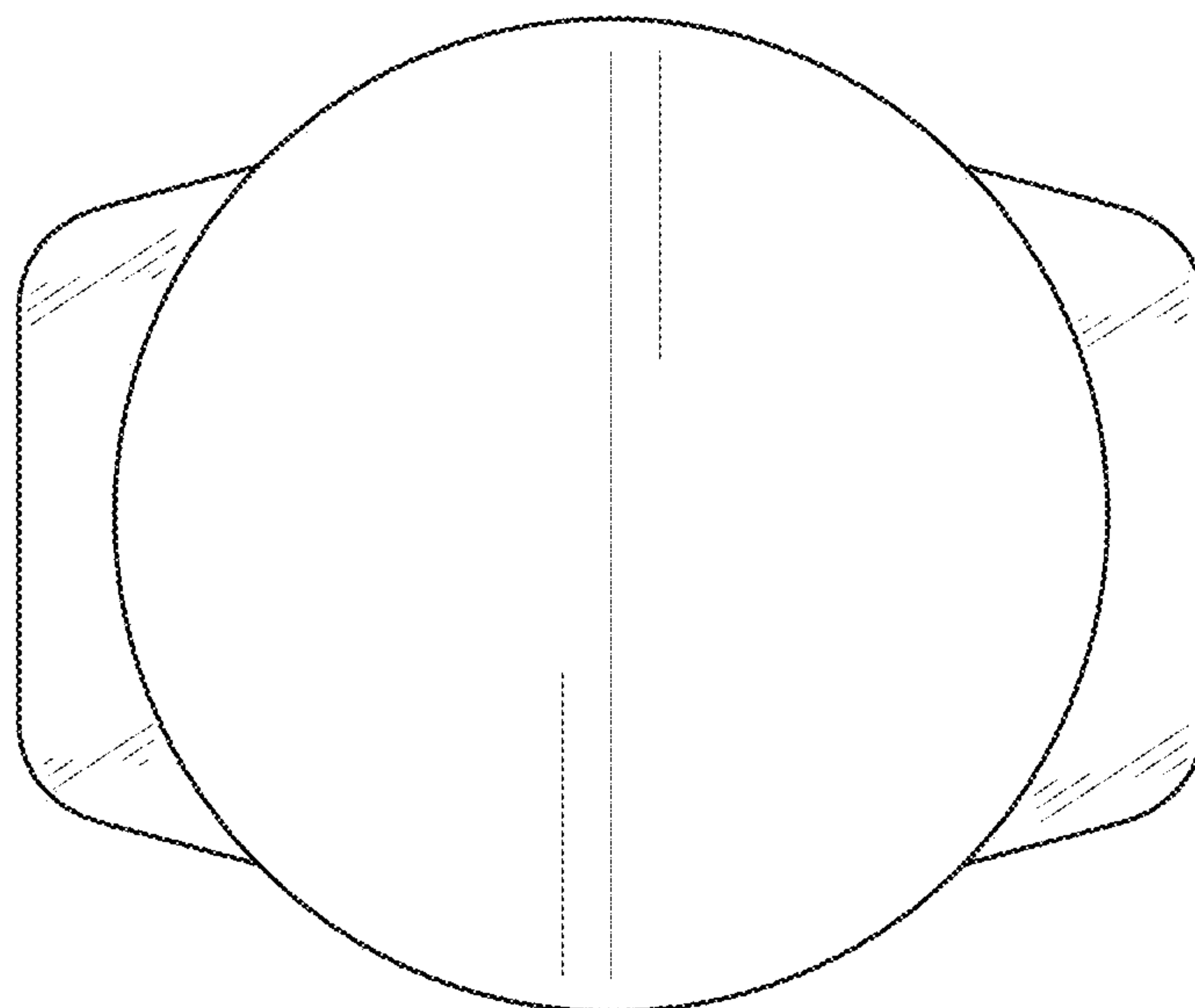


FIG. 4

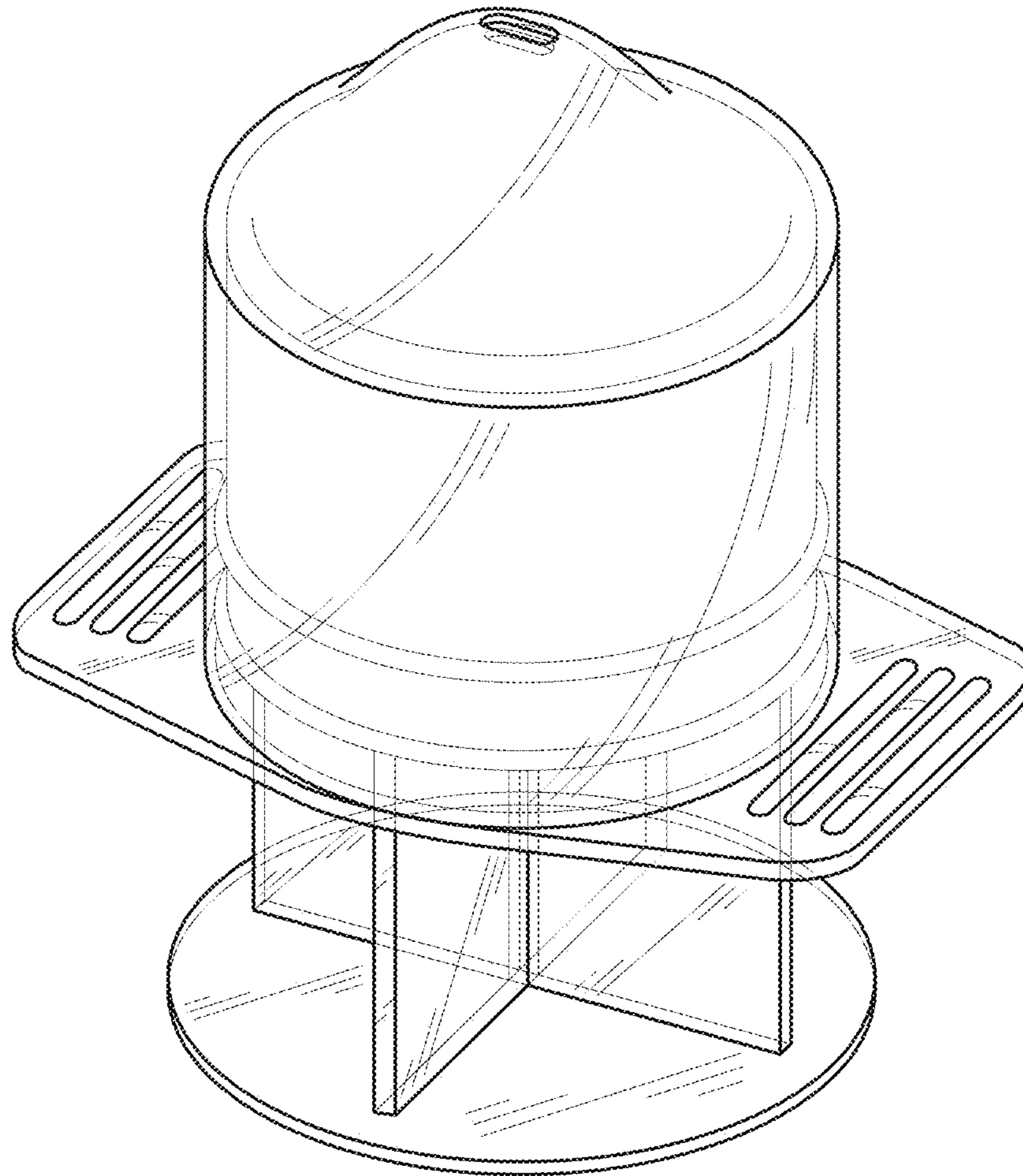


FIG. 5

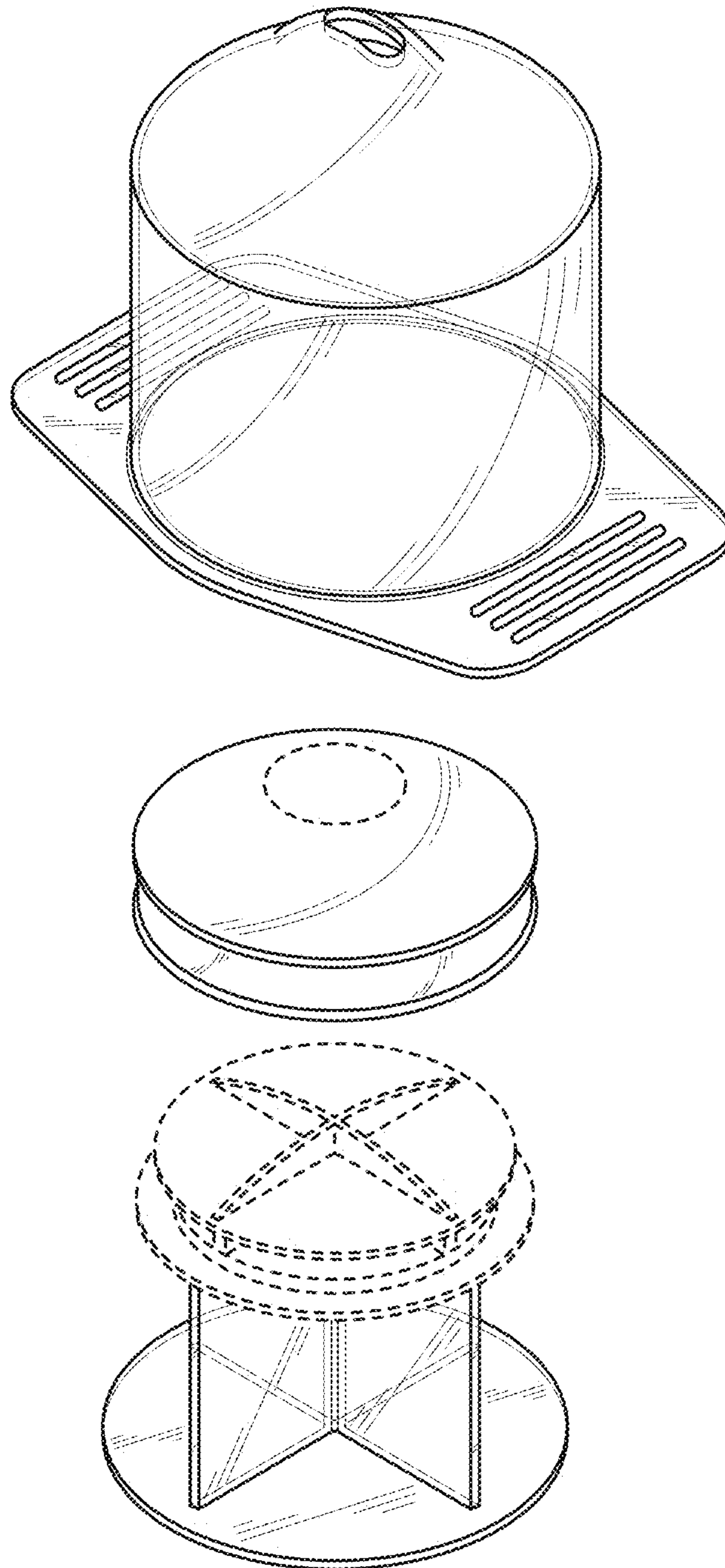


FIG. 6

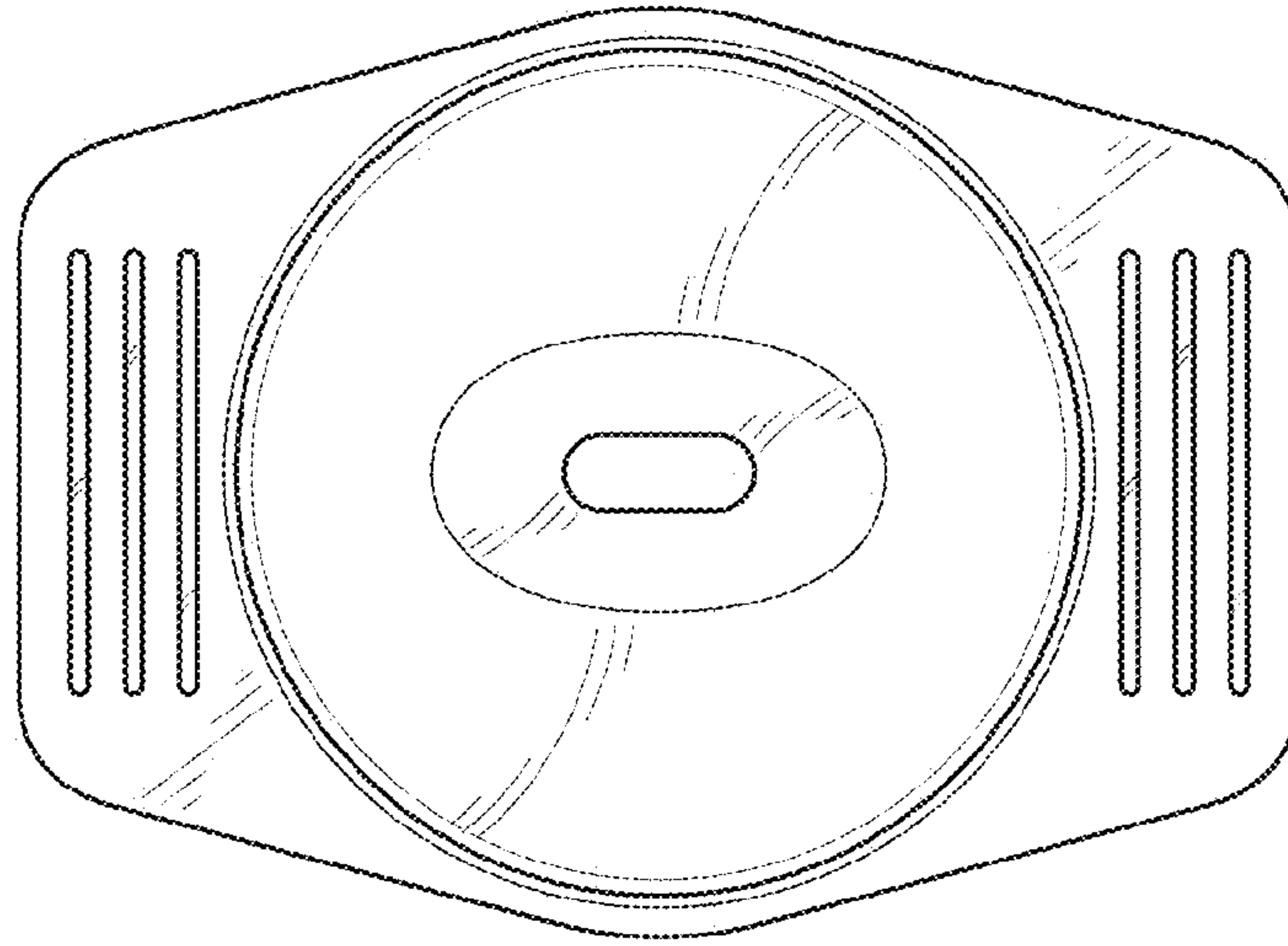


FIG. 7

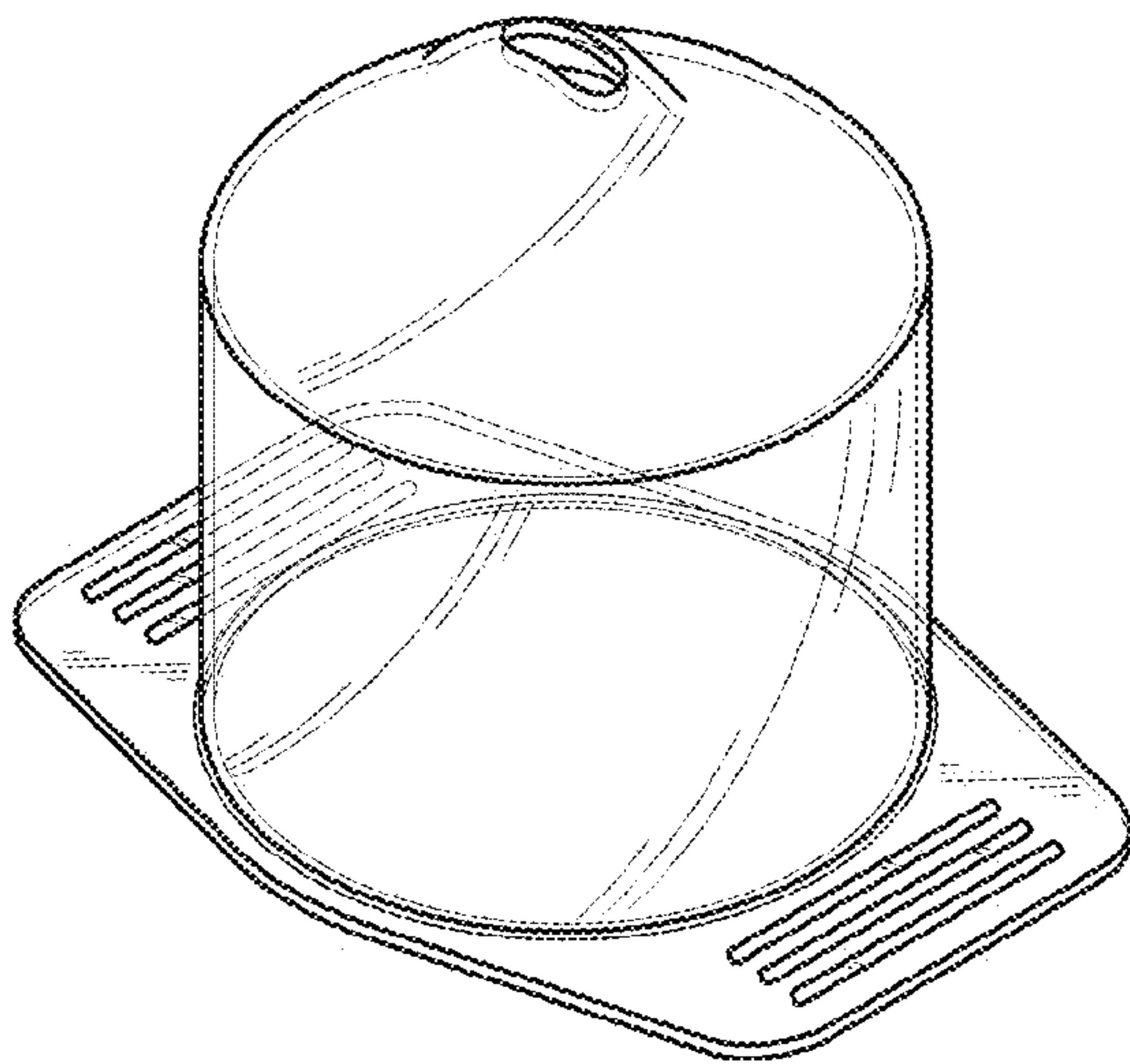


FIG. 8

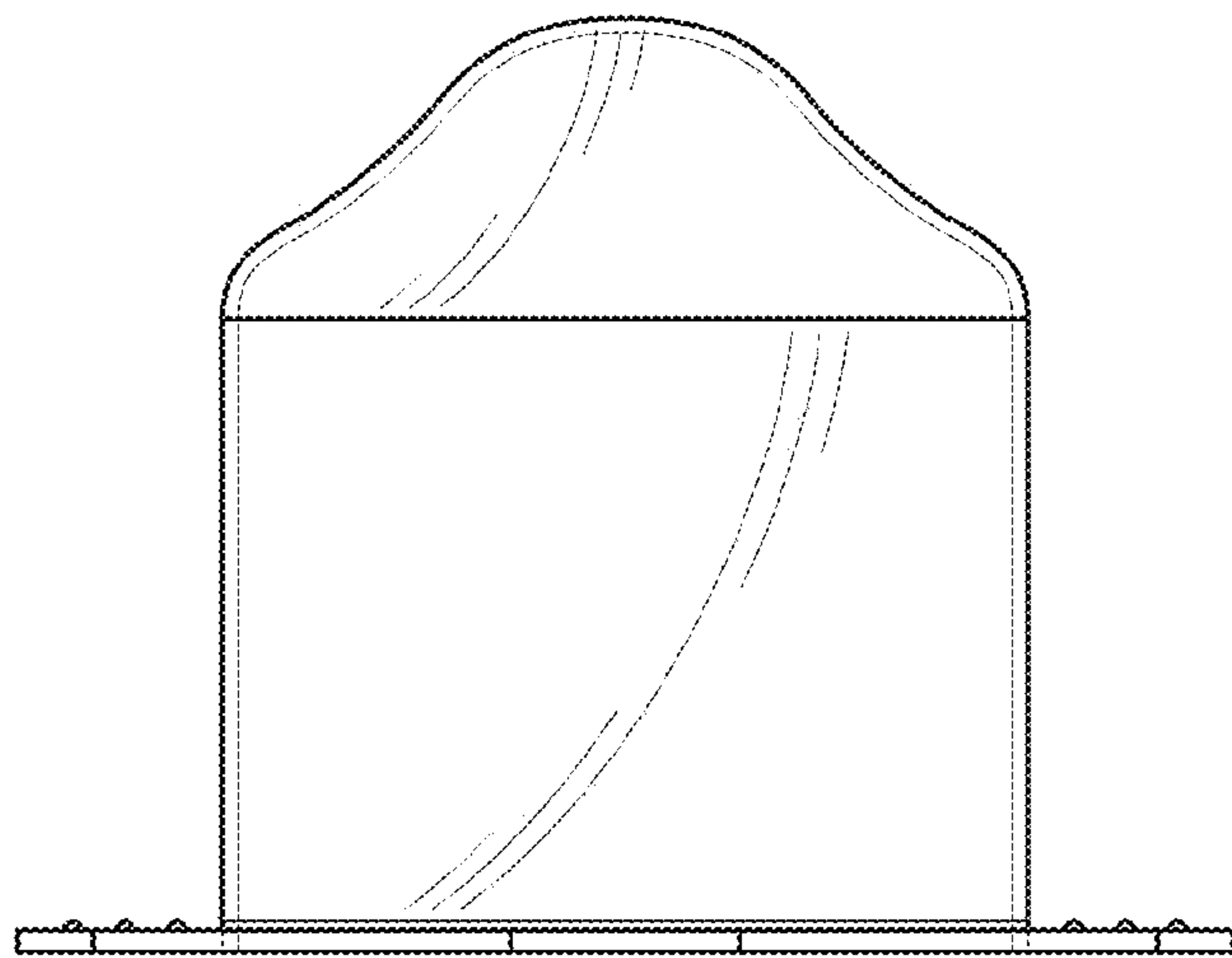


FIG. 9

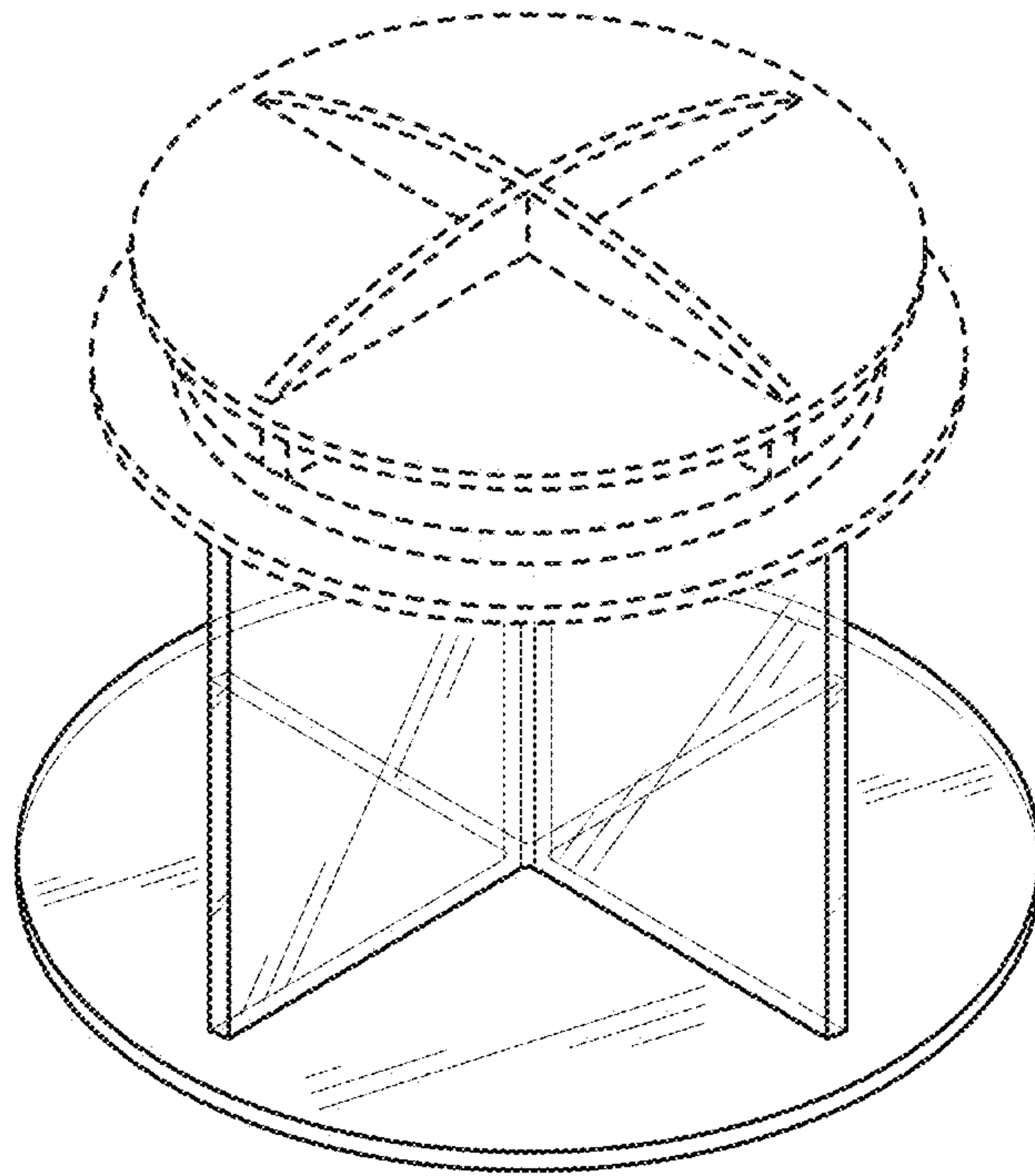


FIG. 10

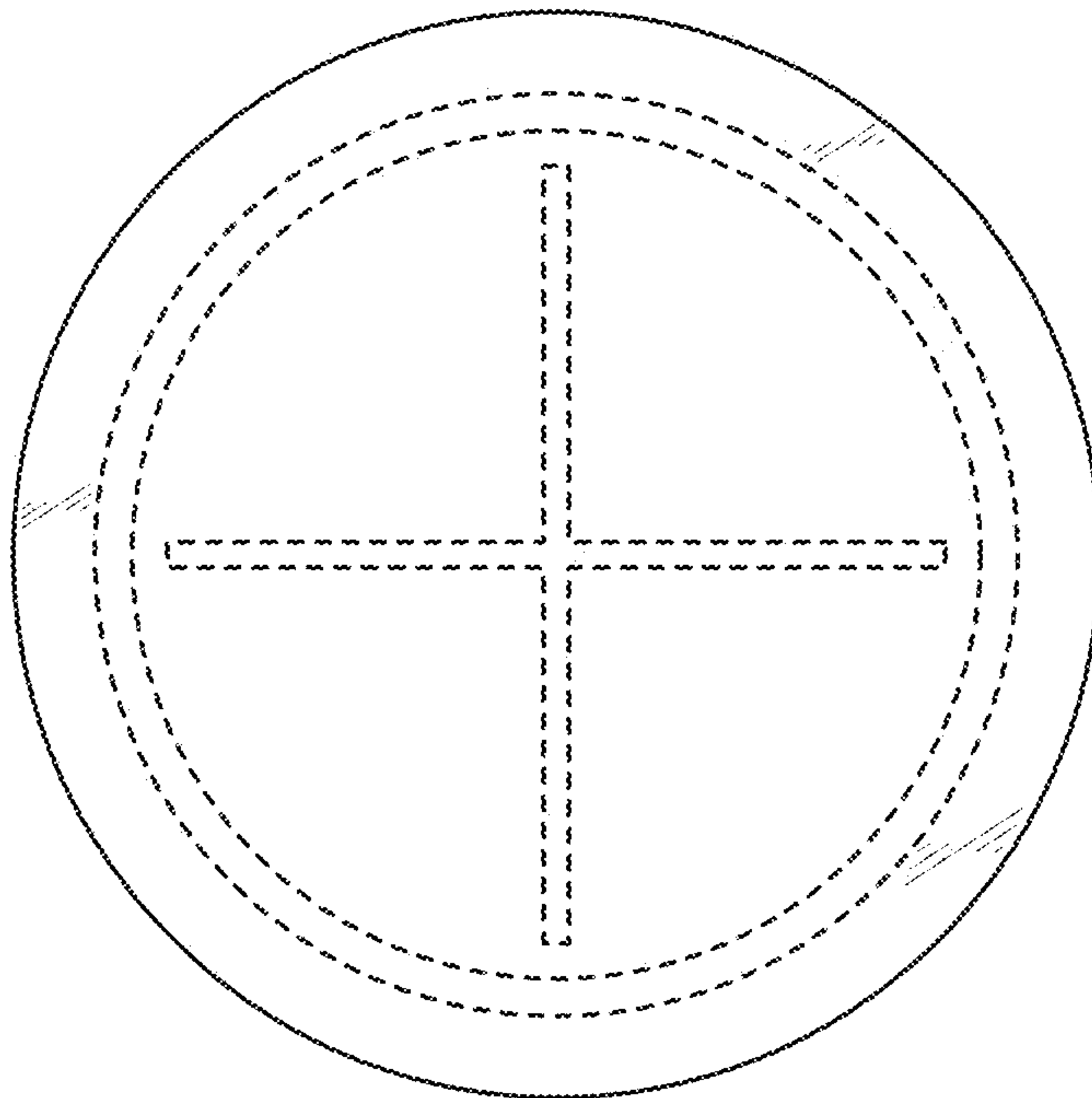


FIG. 11

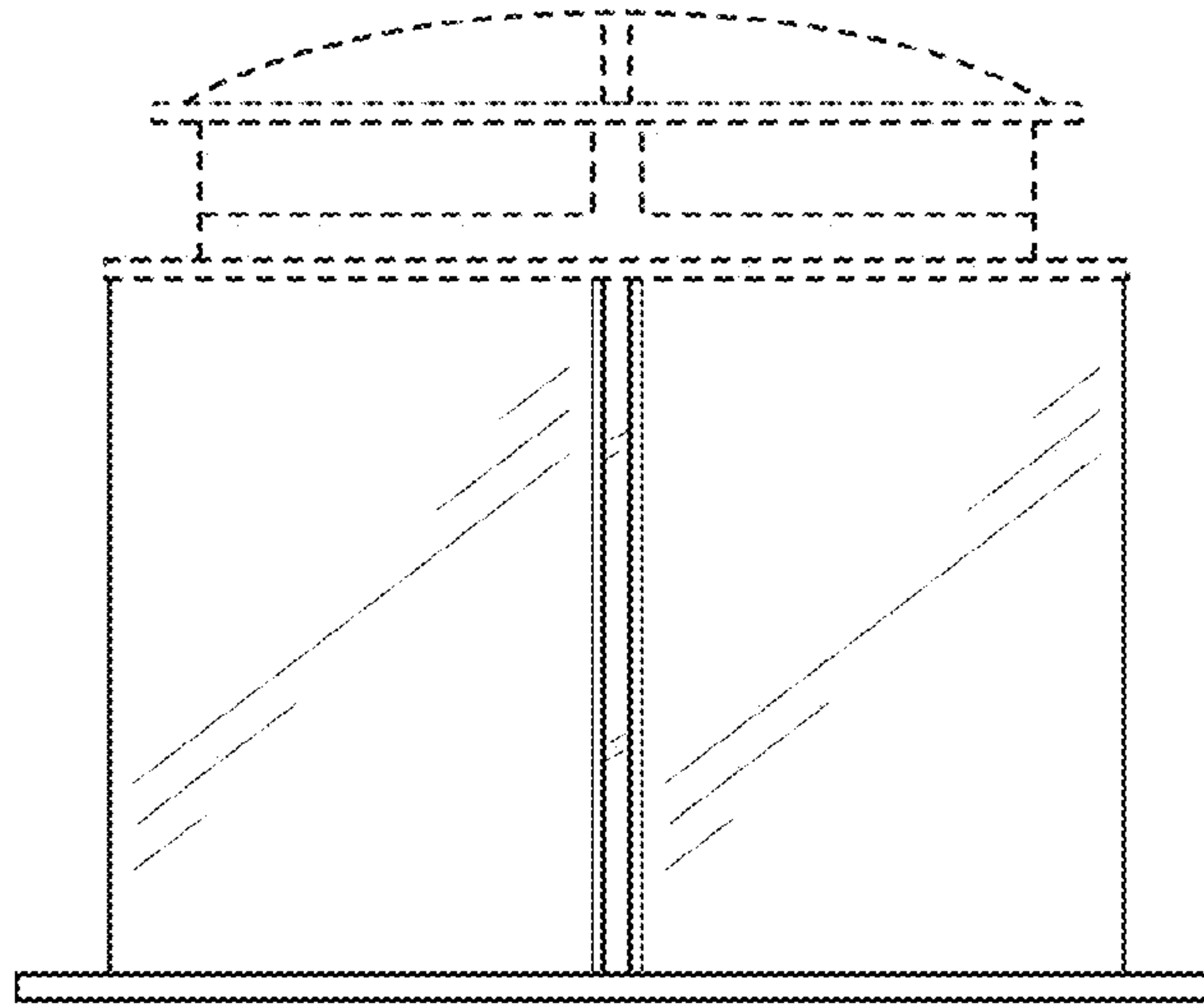


FIG. 12

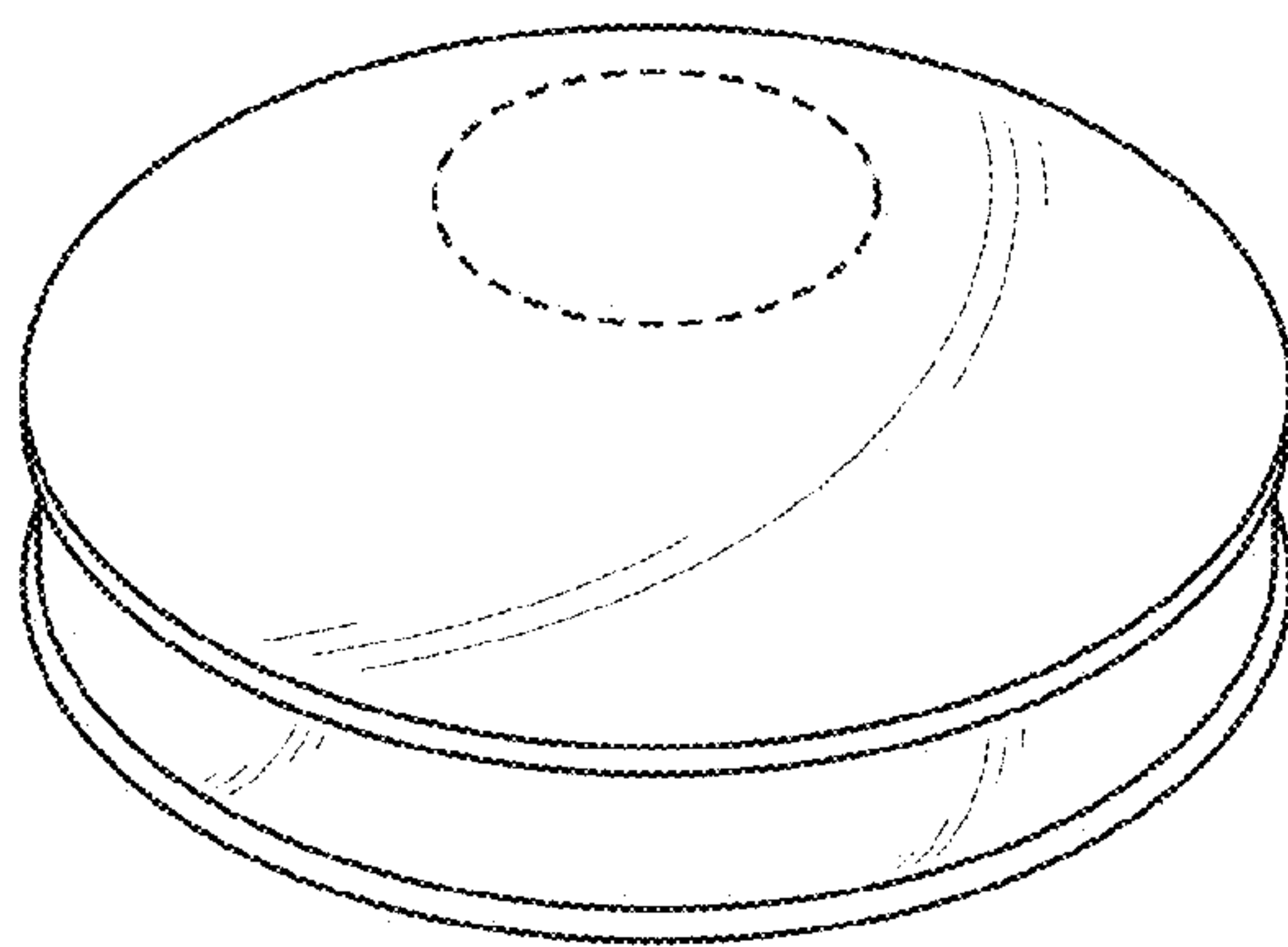


FIG. 13

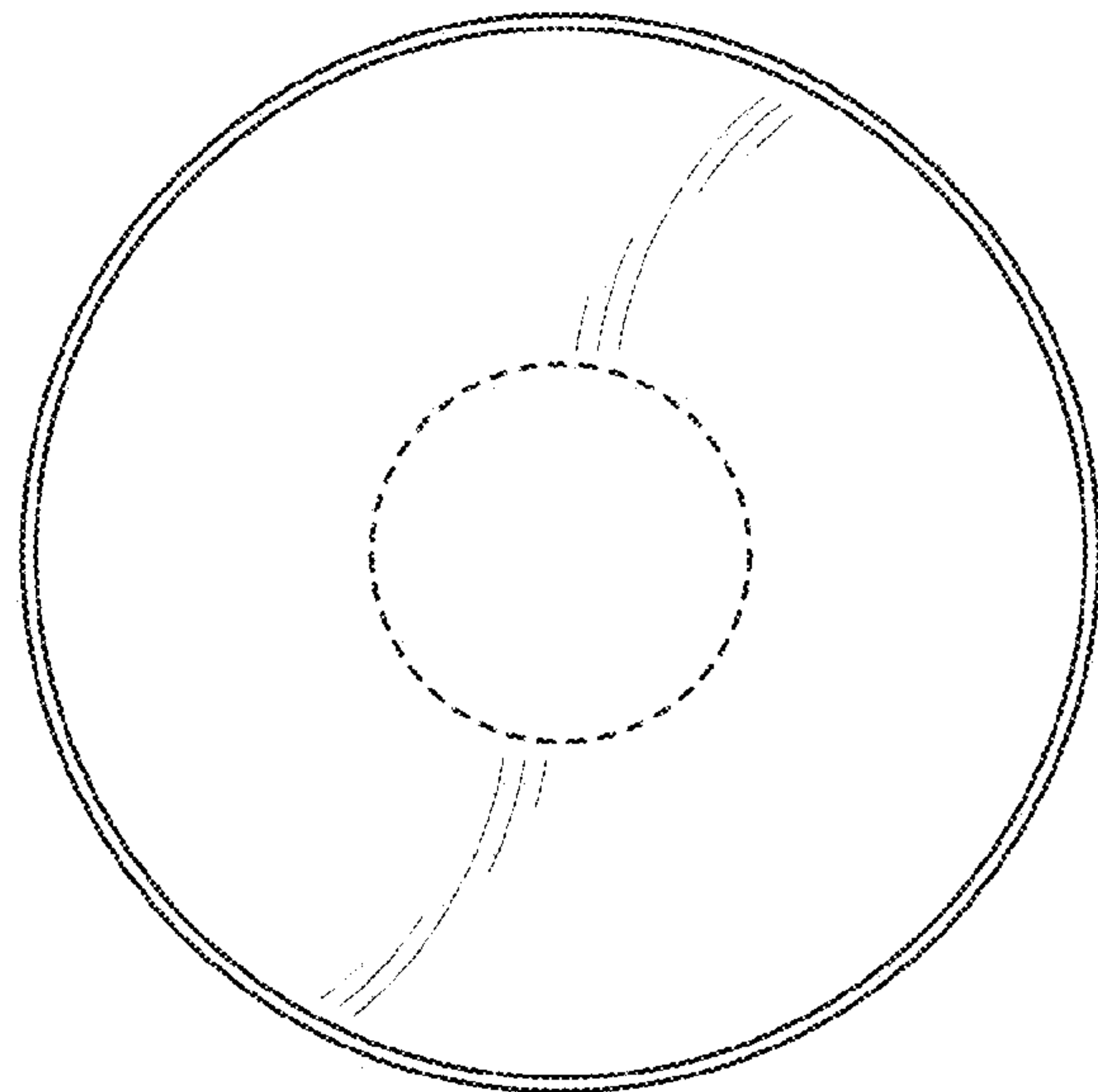


FIG. 14