



US00D913487S

(12) **United States Design Patent** (10) **Patent No.:** **US D913,487 S**  
**Orofino** (45) **Date of Patent:** **\*\* Mar. 16, 2021**

(54) **SYRINGE FOR MEDICAL USE**  
(71) Applicant: **OROFINO PHARMACEUTICALS GROUP S.R.L., Rome (IT)**  
(72) Inventor: **Ernesto Orofino, Rome (IT)**  
(73) Assignee: **OROFINO PHARMACEUTICALS GROUP S.R.L., Rome (IT)**  
(\*\*) Term: **15 Years**

(21) Appl. No.: **35/507,821**

(22) Filed: **Apr. 2, 2019**

(80) **Hague Agreement Data**

Int. Filing Date: **Apr. 2, 2019**  
Int. Reg. No.: **DM/204020**  
Int. Reg. Date: **Apr. 2, 2019**  
Int. Reg. Pub. Date: **Nov. 22, 2019**

(30) **Foreign Application Priority Data**

Oct. 3, 2018 (EM) ..... 005717006

(51) **LOC (13) Cl.** ..... **24-02**

(52) **U.S. Cl.**  
USPC ..... **D24/112**

(58) **Field of Classification Search**

USPC ..... D24/112, 118, 108, 121, 122, 127, 128,  
D24/130, 133, 146, 147, 207, 224;  
D9/516, 522, 530, 543, 547, 573, 574,  
D9/575; D3/239, 240, 241, 245, 246  
CPC ..... A61F 5/4406; A61F 5/44; A61F 5/455;  
A61F 5/4407; A61F 1/2031; A61M  
1/0019; Y10S 128/24; A61J 1/10; A61J  
1/1406; A61J 1/475; A61J 1/2093; A61J  
1/2096

See application file for complete search history.

(56) **References Cited**

U.S. PATENT DOCUMENTS

D439,328	S	*	3/2001	Nielsen	.....	D24/118
D567,940	S	*	4/2008	Inoue	.....	D24/118
D603,042	S	*	10/2009	Sato	.....	D24/118
D777,323	S	*	1/2017	Honda	.....	D24/118
D829,888	S	*	10/2018	Xie	.....	D24/112
D829,889	S	*	10/2018	Hwang	.....	D24/112
D830,537	S	*	10/2018	Hwang	.....	D24/112
D877,890	S	*	3/2020	Xie	.....	D24/112
D877,891	S	*	3/2020	Xie	.....	D24/112
D878,550	S	*	3/2020	Stonecipher	.....	D24/112
D878,570	S	*	3/2020	Suarez del Real Pena	.....	D24/118
D899,266	S	*	10/2020	Diker	.....	D9/707
D900,311	S	*	10/2020	Henaut	.....	D24/118
2013/0153448	A1	*	6/2013	Yoshikawa	.....	A61J 1/10 206/219
2013/0259407	A1	*	10/2013	Muramatsu	.....	B29C 65/1683 383/105
2013/0261573	A1	*	10/2013	Rackley	.....	A61F 5/48 604/328
2014/0001063	A1	*	1/2014	Moy	.....	A61J 1/2089 206/219
2014/0131389	A1	*	5/2014	Weibel	.....	B65D 47/205 141/2
2016/0166824	A1	*	6/2016	Lev	.....	A61M 39/10 604/411

(Continued)

*Primary Examiner* — Samantha Q Lawrence

(74) *Attorney, Agent, or Firm* — Cantor Colburn LLP

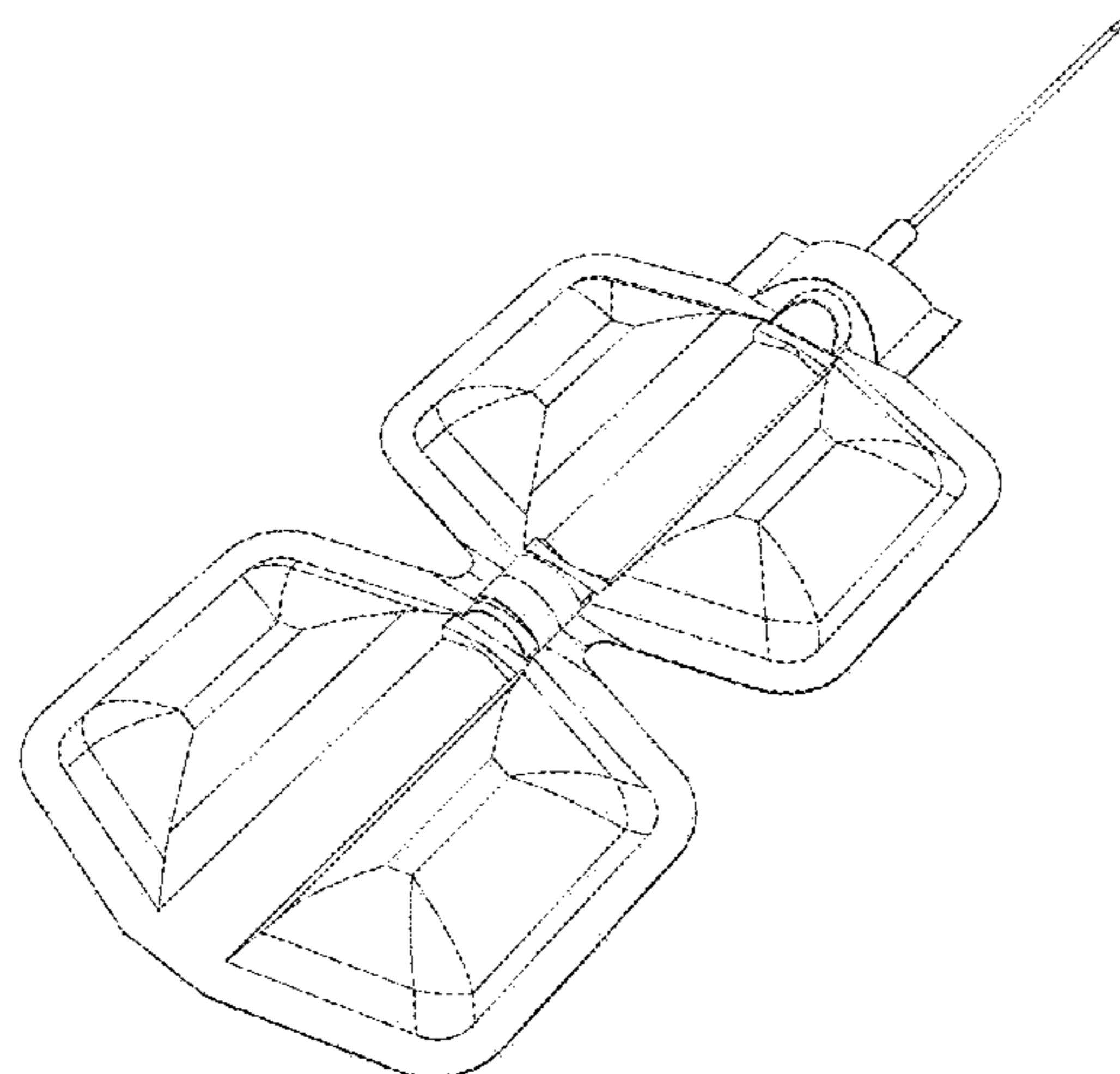
(57) **CLAIM**

The ornamental design for syringe for medical use, as shown and described.

**DESCRIPTION**

3. Syringe for medical use  
**3.1** is a perspective view of a syringe for medical use;  
**3.2** is a top view thereof;  
**3.3** is a bottom view thereof;

(Continued)



3.4 is a side view thereof;  
3.5 is an opposite side view thereof;  
3.6 is a front view thereof; and  
3.7 is a rear view thereof.

**1 Claim, 7 Drawing Sheets**

(56)

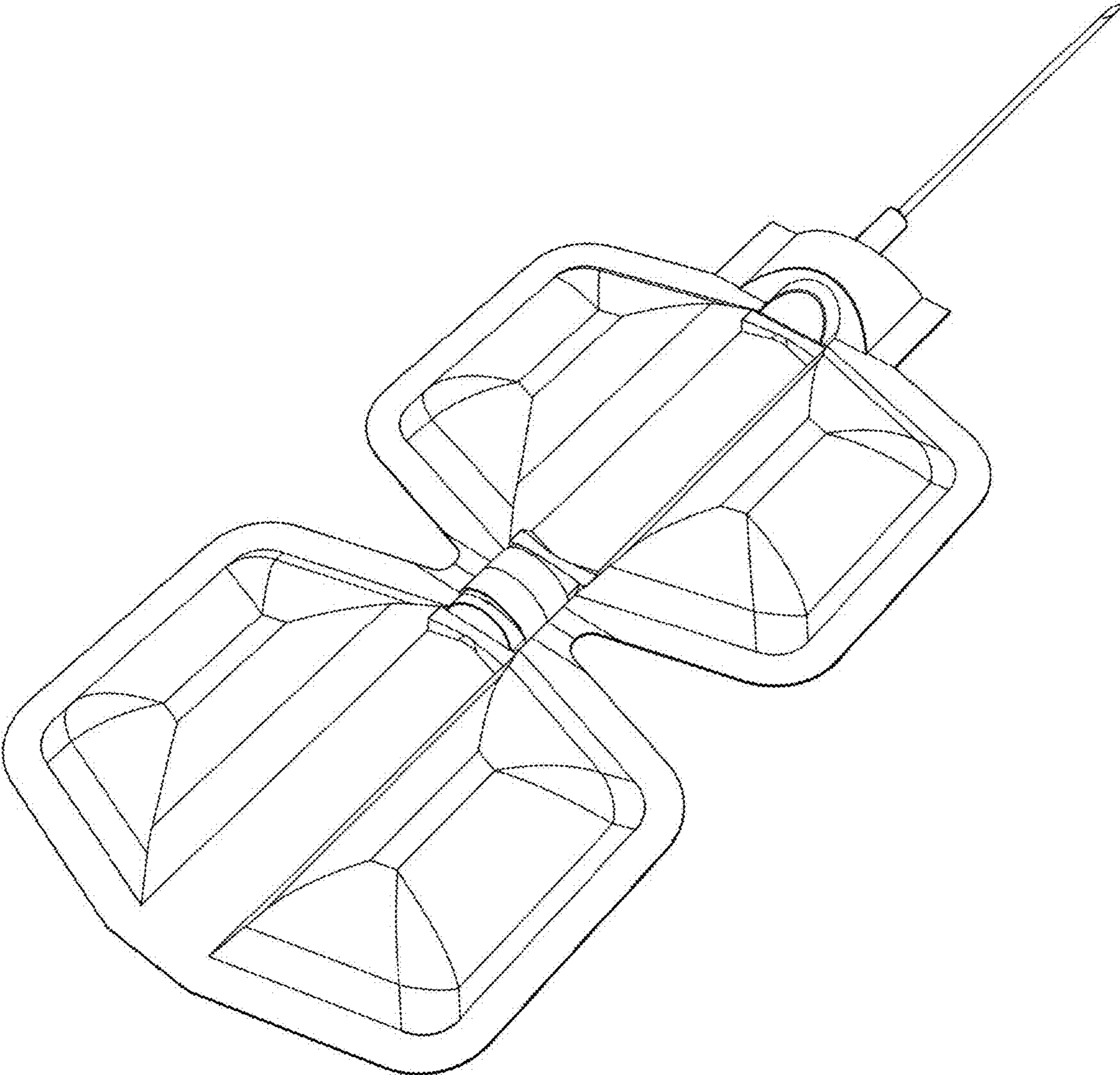
**References Cited**

U.S. PATENT DOCUMENTS

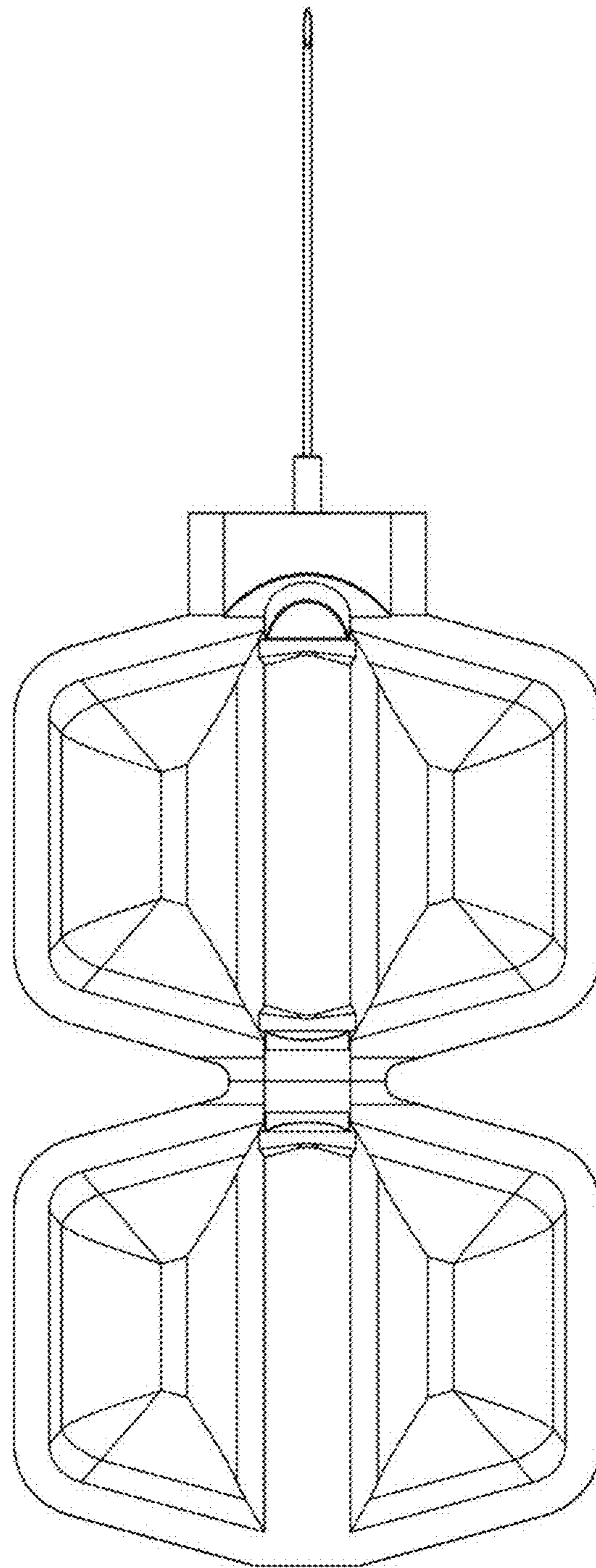
2019/0021953 A1\* 1/2019 Ravussin ..... A61J 1/1475  
2019/0350807 A1\* 11/2019 Constant ..... A61J 1/1475  
2019/0350811 A1\* 11/2019 Malhotra ..... A61J 1/2093  
2019/0351130 A1\* 11/2019 Tang ..... A61M 5/1411

\* cited by examiner

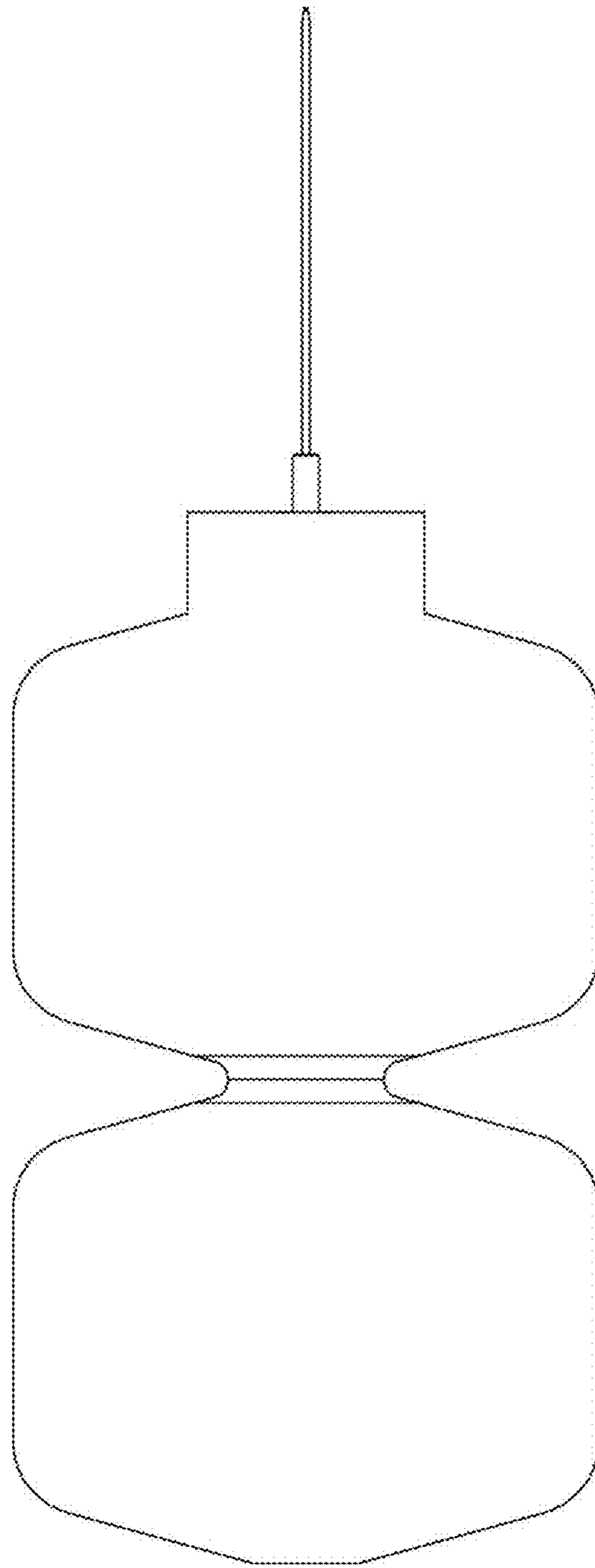
3.1



3.2



3.3

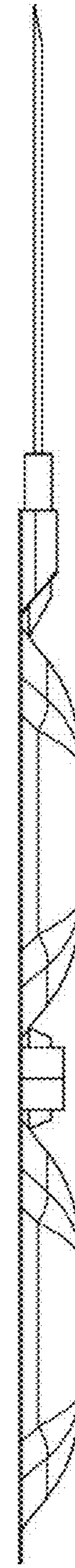




3.4



3.5



3.6





3.7

