



US00D913485S

(12) **United States Design Patent** (10) **Patent No.:** **US D913,485 S**
Senff et al. (45) **Date of Patent:** **** Mar. 16, 2021**

(54) **ORAL IRRIGATOR**
(71) Applicant: **WATER PIK, INC.**, Fort Collins, CO (US)
(72) Inventors: **Oscar Senff**, Broomfield, CO (US);
Jeffrey Ladwig, Seattle, WA (US);
Adam Weisgerber, Shoreline, WA (US)
(73) Assignee: **WATER PIK, INC.**, Fort Collins, CO (US)
(**) Term: **15 Years**

D794,773 S 8/2017 Senff et al.
D796,028 S 8/2017 Senff et al.
D798,440 S * 9/2017 Kim D24/111
D802,119 S 11/2017 Kim
D809,650 S 2/2018 Kim et al.
9,980,793 B2 5/2018 Wagner et al.
D822,196 S 7/2018 Kim
D822,825 S 7/2018 Au et al.
D822,826 S 7/2018 Au et al.
10,016,254 B2 7/2018 Luetngen
10,022,207 B2 7/2018 Taylor et al.
D825,741 S 8/2018 Massie et al.
D829,886 S 10/2018 Massie et al.
D829,887 S 10/2018 Massie et al.
D832,418 S 10/2018 Porter et al.

(Continued)

(21) Appl. No.: **29/705,391**

(22) Filed: **Sep. 11, 2019**

(51) **LOC (13) Cl.** **24-02**

(52) **U.S. Cl.**
USPC **D24/111**

(58) **Field of Classification Search**
USPC D24/108, 111-115, 117, 152, 176
CPC A61C 17/20; A61C 17/00; A61C 17/005;
A61C 17/02; A61C 17/0202; A61C
17/0205; A61C 17/0211; A61C 17/36;
A61C 17/028; A61C 17/22; A61C
17/222; A61C 17/225; A61C 17/28
See application file for complete search history.

(56) **References Cited**

U.S. PATENT DOCUMENTS

3,425,410 A * 2/1969 Cammack A61C 1/0092
601/162
D565,175 S 3/2008 Boyd et al.
D714,929 S 10/2014 Kim et al.
8,888,727 B2 11/2014 Boyd et al.
D740,936 S 10/2015 Kim et al.
D782,657 S 3/2017 Williams
D783,810 S 4/2017 Kim et al.
D786,422 S 5/2017 Au et al.
9,642,677 B2 5/2017 Luetngen et al.

OTHER PUBLICATIONS

Design U.S. Appl. No. 29/668,464, filed Oct. 30, 2018, entitled
“Oral Irrigator”.

(Continued)

Primary Examiner — Lilyana Bekic
(74) *Attorney, Agent, or Firm* — Dorsey & Whitney LLP

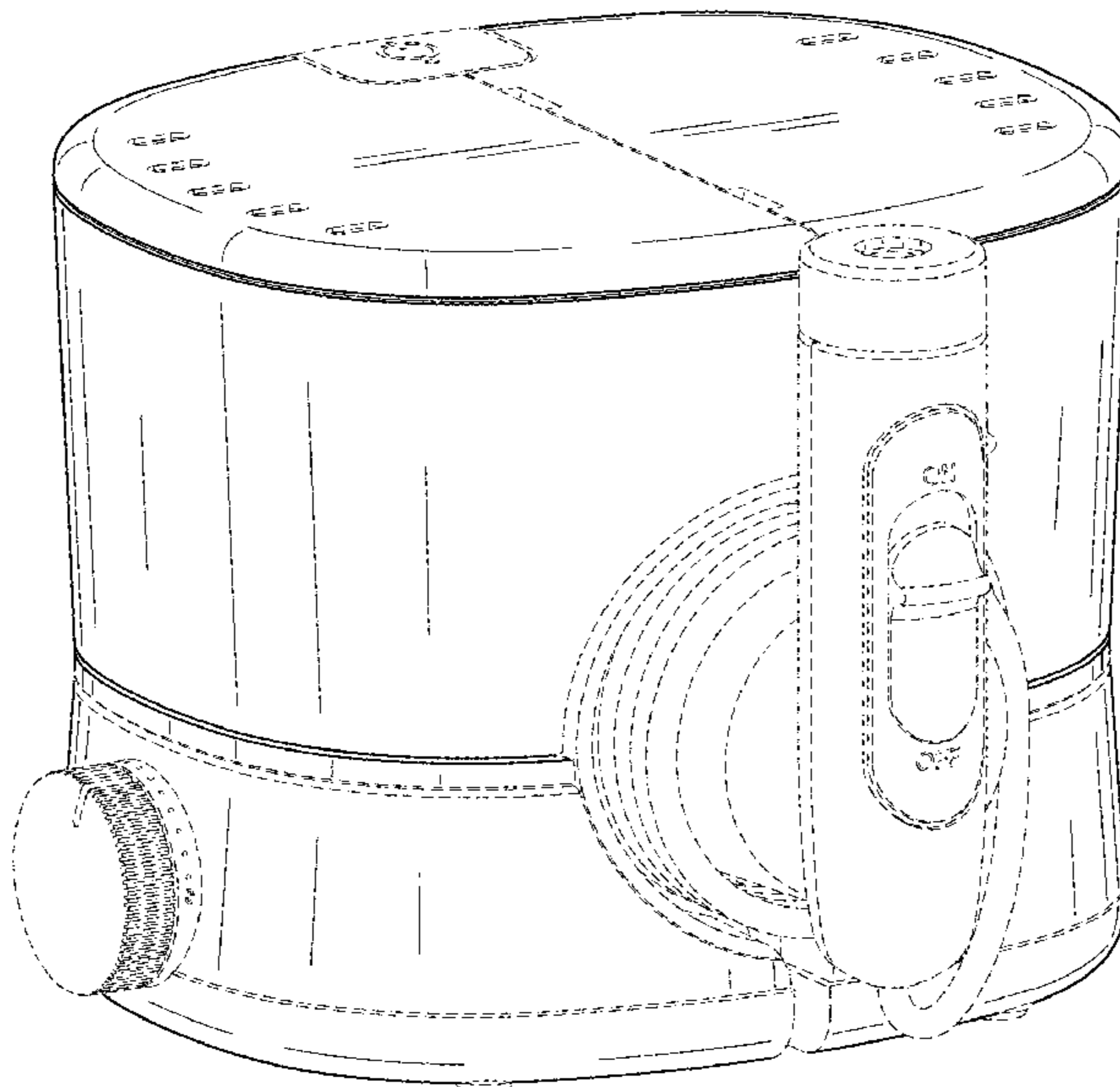
(57) **CLAIM**

We claim the ornamental design for an oral irrigator, as
shown and described.

DESCRIPTION

FIG. 1 is a front isometric view of an oral irrigator.
FIG. 2 is a front elevation view thereof.
FIG. 3 is a rear elevation view thereof.
FIG. 4 is a left side elevation view thereof.
FIG. 5 is a right side elevation view thereof.
FIG. 6 is a top plan view thereof; and,
FIG. 7 is a bottom plan view thereof.
The broken lines illustrate portions of the oral irrigator that
form no part of the claimed design.

1 Claim, 7 Drawing Sheets



(56)

References Cited

U.S. PATENT DOCUMENTS

D832,419 S 10/2018 Porter et al.
 D832,420 S 10/2018 Porter et al.
 D833,000 S 11/2018 Porter et al.
 D833,600 S 11/2018 Porter et al.
 D833,601 S 11/2018 Massie et al.
 D833,602 S 11/2018 Massie et al.
 D834,180 S 11/2018 Porter et al.
 D839,409 S 1/2019 Massie et al.
 D840,022 S 2/2019 Porter et al.
 D840,023 S 2/2019 Massie et al.
 D851,239 S * 6/2019 Chen D24/111
 D857,881 S 8/2019 Massie et al.
 D858,750 S * 9/2019 Porter D24/111
 D859,644 S * 9/2019 Porter D24/111
 D867,579 S 11/2019 Porter et al.
 D872,855 S * 1/2020 Porter D24/111
 D877,324 S 3/2020 Massie et al.
 D880,688 S 4/2020 Kim

D889,636 S * 7/2020 Senff D24/111
 D893,017 S * 8/2020 Porter D24/111
 10,779,922 B2 * 9/2020 Wagner A61C 17/028
 D901,675 S * 11/2020 Ross D24/111
 2017/0209234 A1 7/2017 Senff et al.
 2018/0168784 A1 6/2018 Wagner et al.
 2018/0168785 A1 6/2018 Wagner et al.
 2018/0263742 A1 9/2018 Taylor et al.
 2020/0268494 A1 * 8/2020 Senff A61C 17/032

OTHER PUBLICATIONS

Design U.S. Appl. No. 29/668,454, filed Oct. 30, 2018, entitled
 "Oral Irrigator Handle".
 Design U.S. Appl. No. 29/668,462, filed Oct. 30, 2018, entitled
 "Oral Irrigator Reservoir".
 Provisional U.S. Appl. No. 62/809,466, filed Feb. 22, 2019, entitled
 "Countertop Water Flosser".

* cited by examiner

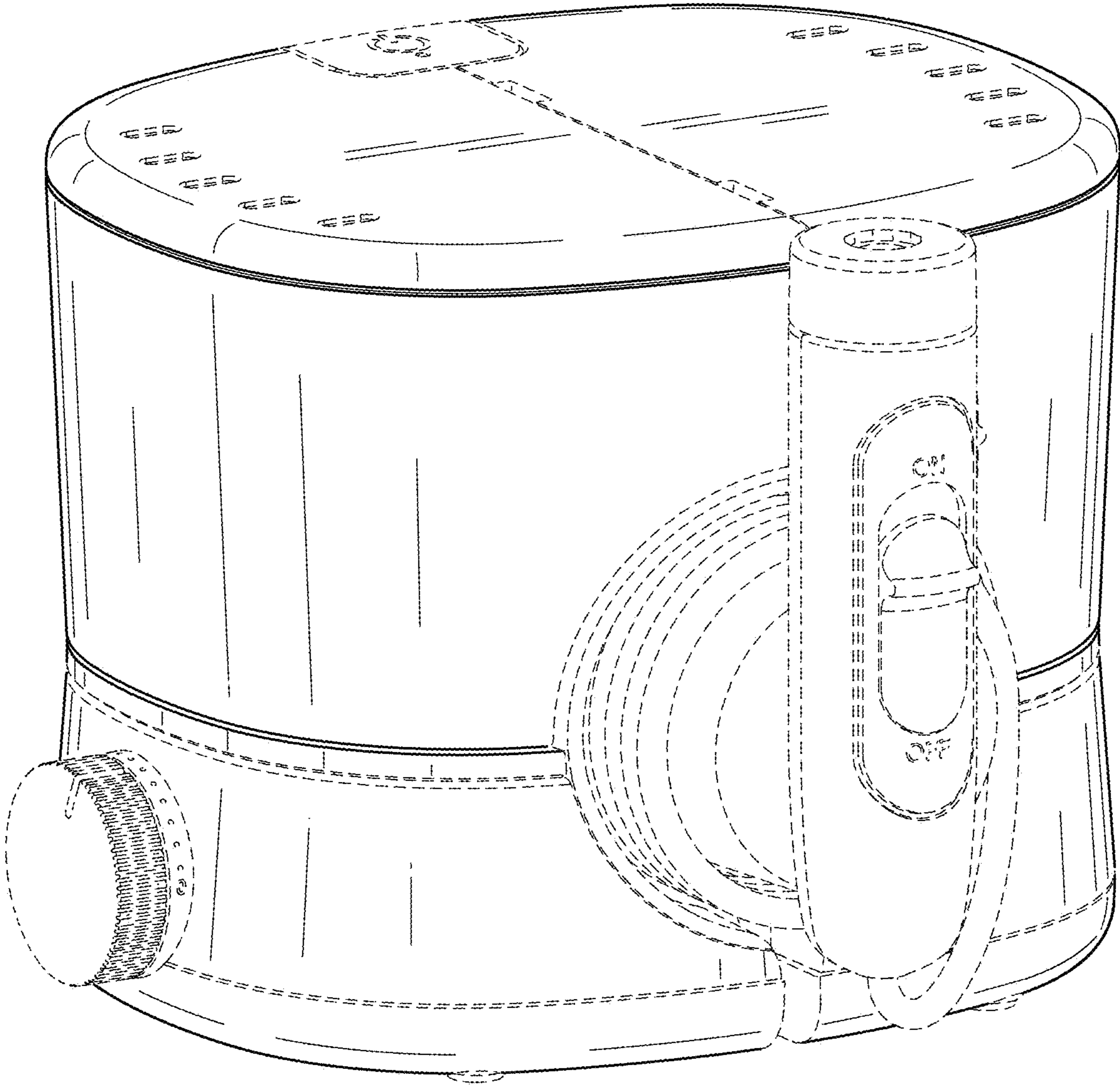


FIG. 1

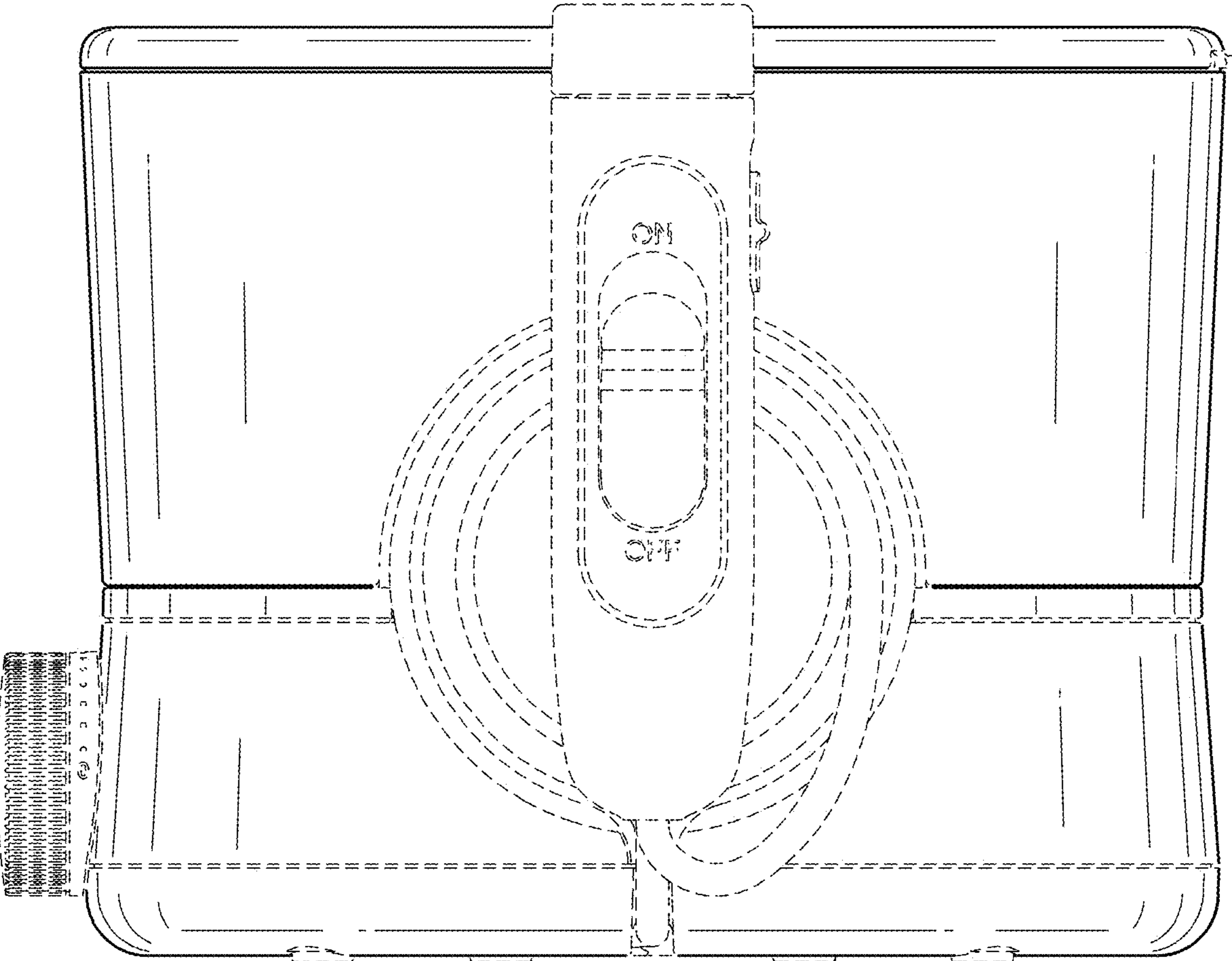


FIG. 2

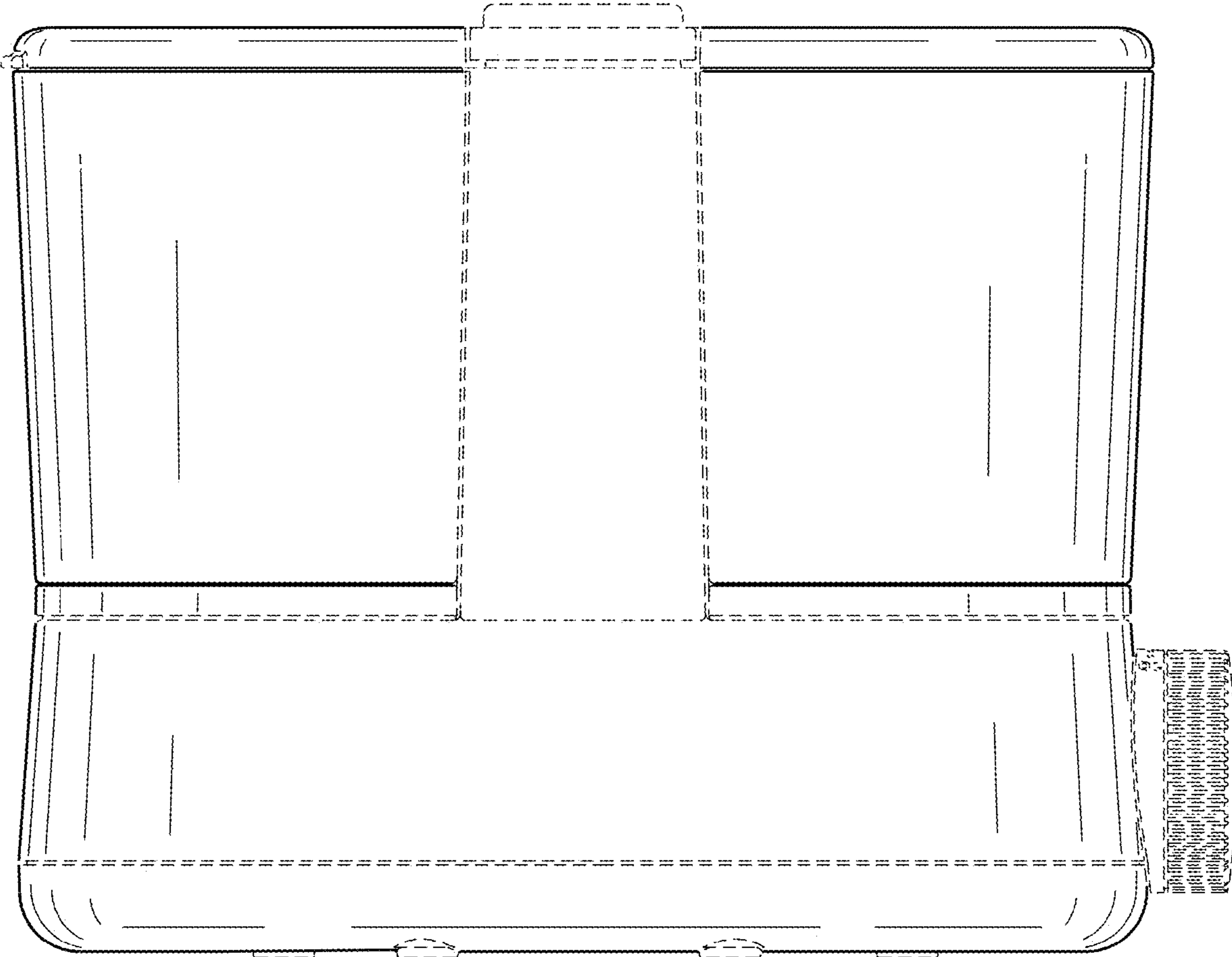


FIG. 3

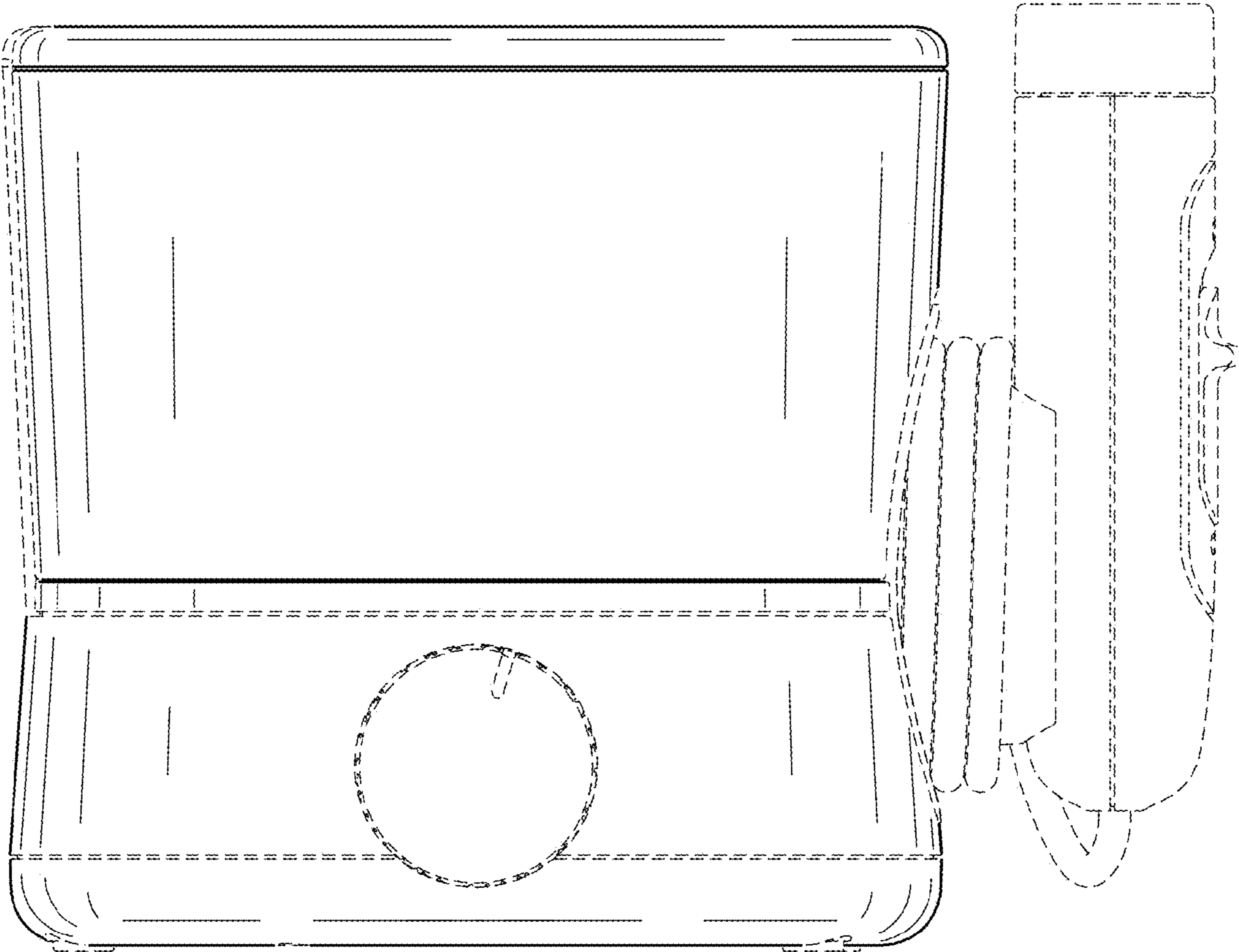


FIG. 4

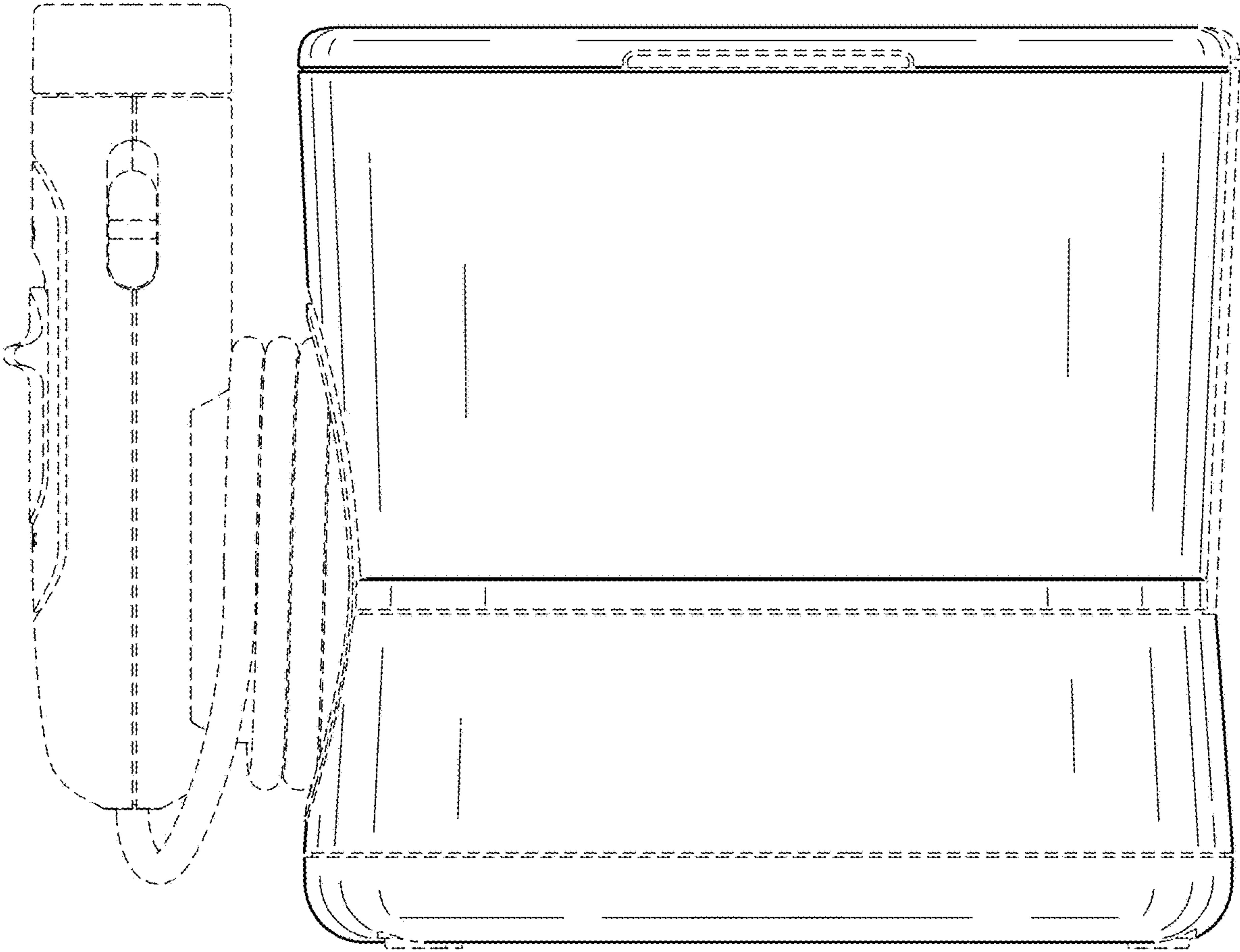


FIG. 5

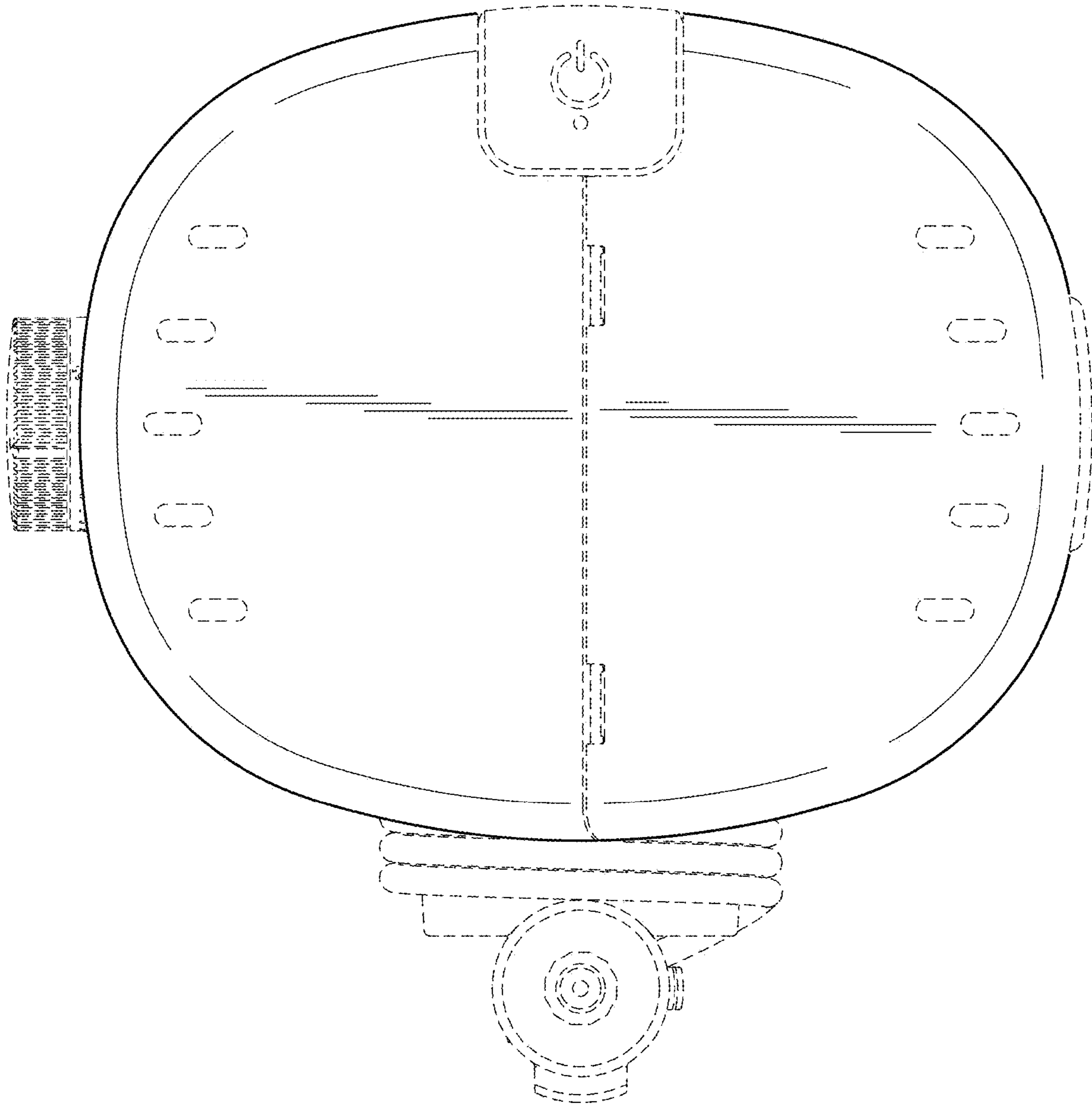


FIG. 6

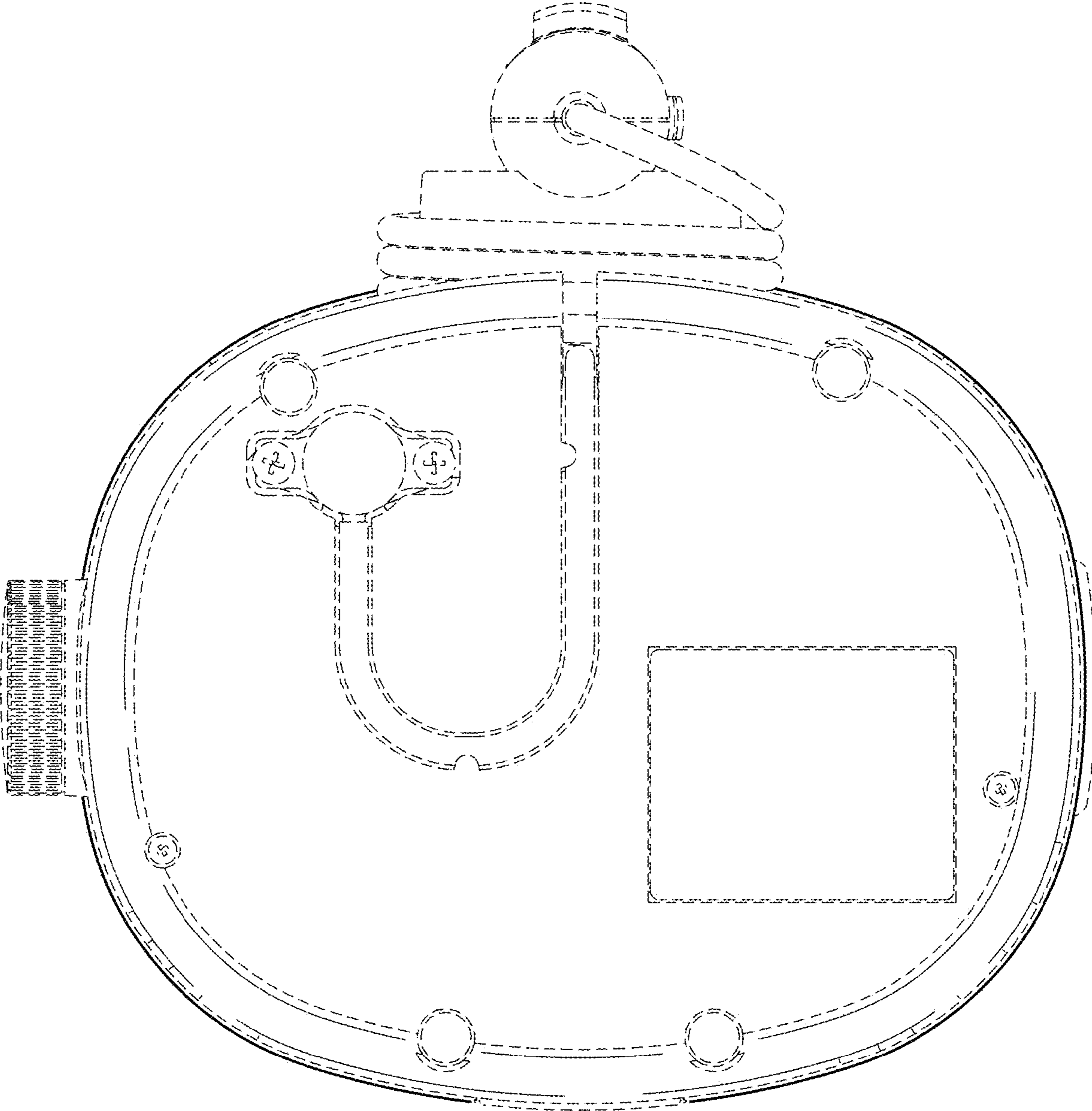


FIG. 7