



US00D913477S

(12) **United States Design Patent**  
**St. Fort**

(10) **Patent No.:** **US D913,477 S**

(45) **Date of Patent:** **\*\* Mar. 16, 2021**

(54) **AIR FRESHENER**

(71) Applicant: **Evans St. Fort**, Pembroke Pines, FL  
(US)

(72) Inventor: **Evans St. Fort**, Pembroke Pines, FL  
(US)

(\*\*) Term: **15 Years**

(21) Appl. No.: **29/702,686**

(22) Filed: **Aug. 21, 2019**

(51) **LOC (13) Cl.** ..... **28-99**

(52) **U.S. Cl.**  
USPC ..... **D23/366**

(58) **Field of Classification Search**  
USPC ..... D23/209, 355, 356, 358, 359, 360, 364,  
D23/365, 366; D7/316, 505; D9/435,  
D9/444, 504, 519, 529, 686; D11/131.1;  
D28/89; D99/5; D2/717, 720, 731, 739,  
D2/840

CPC . A61L 9/03; A61L 9/012; A61L 9/015; A61L  
9/037; F41J 1/01

See application file for complete search history.

(56) **References Cited**

**U.S. PATENT DOCUMENTS**

5,034,222 A 7/1991 Kellett  
5,269,723 A 12/1993 Bender  
7,687,038 B2\* 3/2010 Wheatley ..... B60H 3/0007  
422/124  
D647,186 S \* 10/2011 Chan ..... D23/364  
D699,334 S \* 2/2014 Alesi ..... D23/366

D712,022 S \* 8/2014 Hakim ..... D23/366  
D733,280 S 6/2015 Bourne  
9,155,812 B1\* 10/2015 Bourne ..... A61L 9/12  
D767,110 S \* 9/2016 D'Amico ..... D23/368  
D866,742 S \* 11/2019 Garcia ..... D23/366  
2006/0196964 A1\* 9/2006 Wheatley ..... A61L 9/042  
239/57  
2013/0266486 A1\* 10/2013 Wu ..... A61L 9/12  
422/123  
2015/0283883 A1\* 10/2015 Schouten ..... A61L 9/12  
239/57  
2017/0252476 A1\* 9/2017 Koontz ..... A61L 9/037  
2018/0028710 A1 2/2018 D'Amico  
2018/0193511 A1 7/2018 Knapp  
2018/0256769 A1 9/2018 Gobber  
2019/0336843 A1\* 11/2019 Haiola ..... A63B 71/085

\* cited by examiner

*Primary Examiner* — John A Voytek

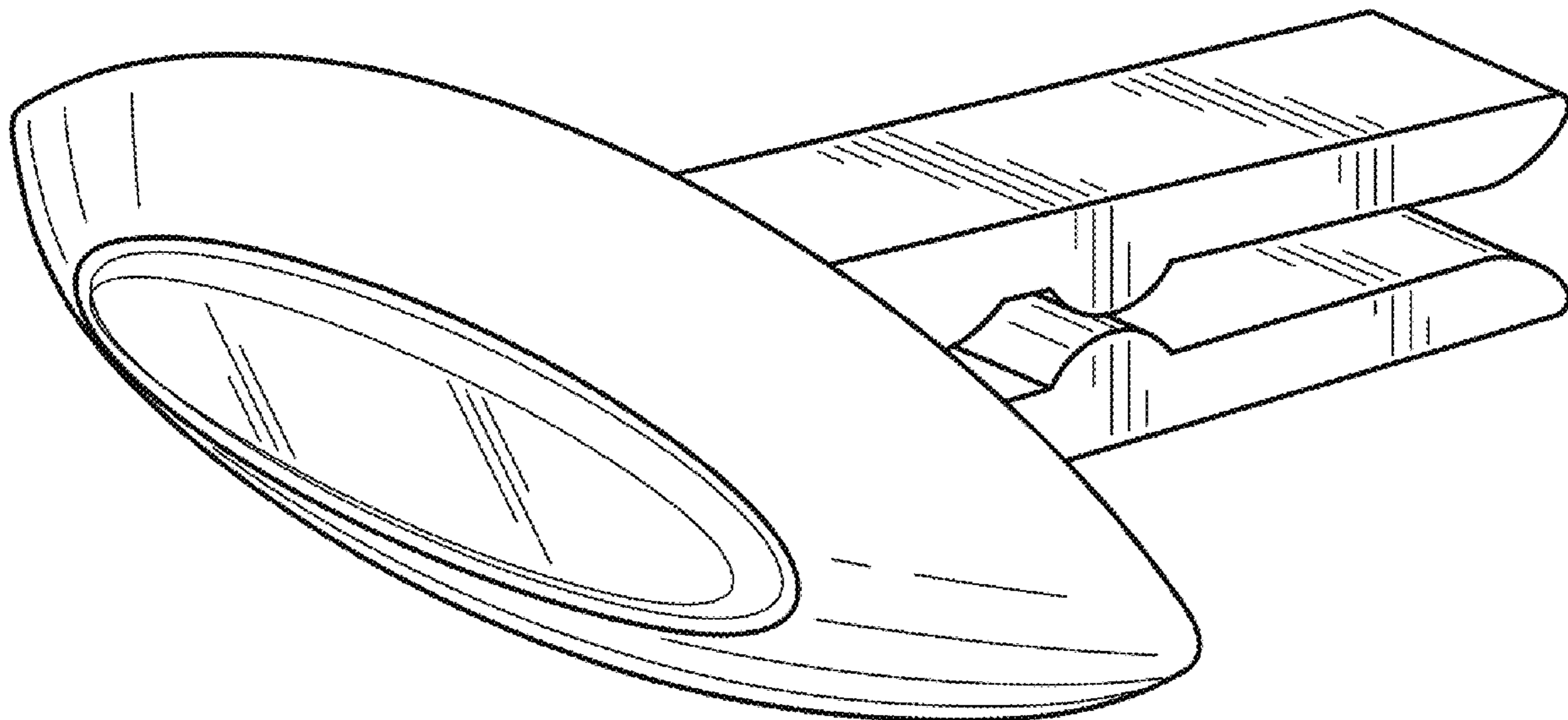
(57) **CLAIM**

The ornamental design for an air freshener, as shown and described.

**DESCRIPTION**

FIG. 1 is a front view of an air freshener showing my new design;  
FIG. 2 is a rear view of the air freshener;  
FIG. 3 is a right side view of the air freshener;  
FIG. 4 is a left side view of the air freshener;  
FIG. 5 is a top view of the air freshener;  
FIG. 6 is a bottom view of the air freshener; and,  
FIG. 7 is a top front side perspective view of the air freshener.

**1 Claim, 4 Drawing Sheets**



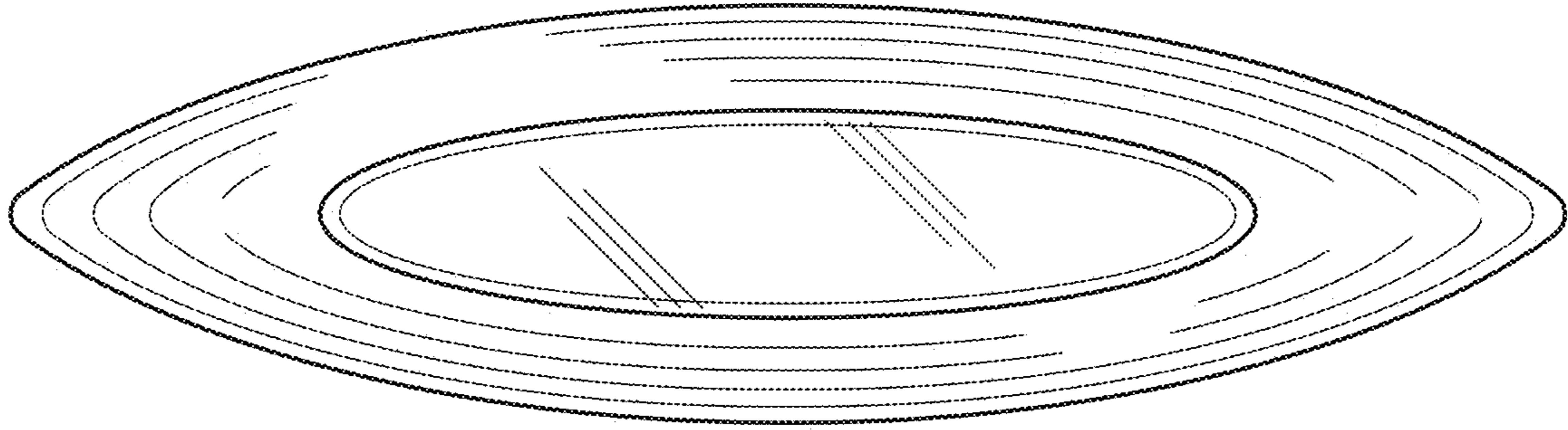


FIG. 1

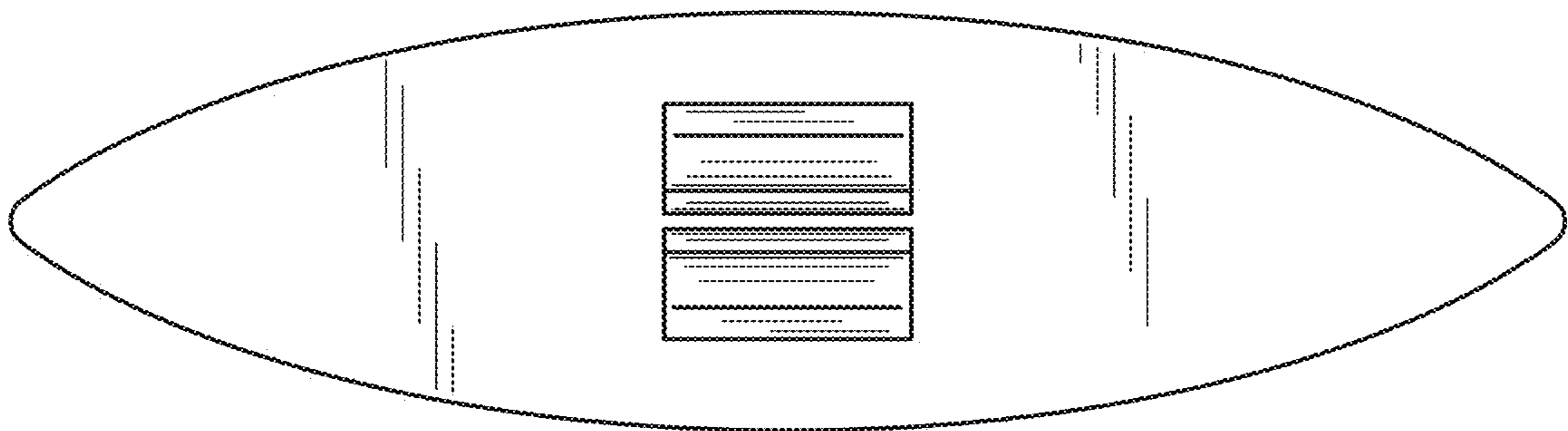


FIG. 2

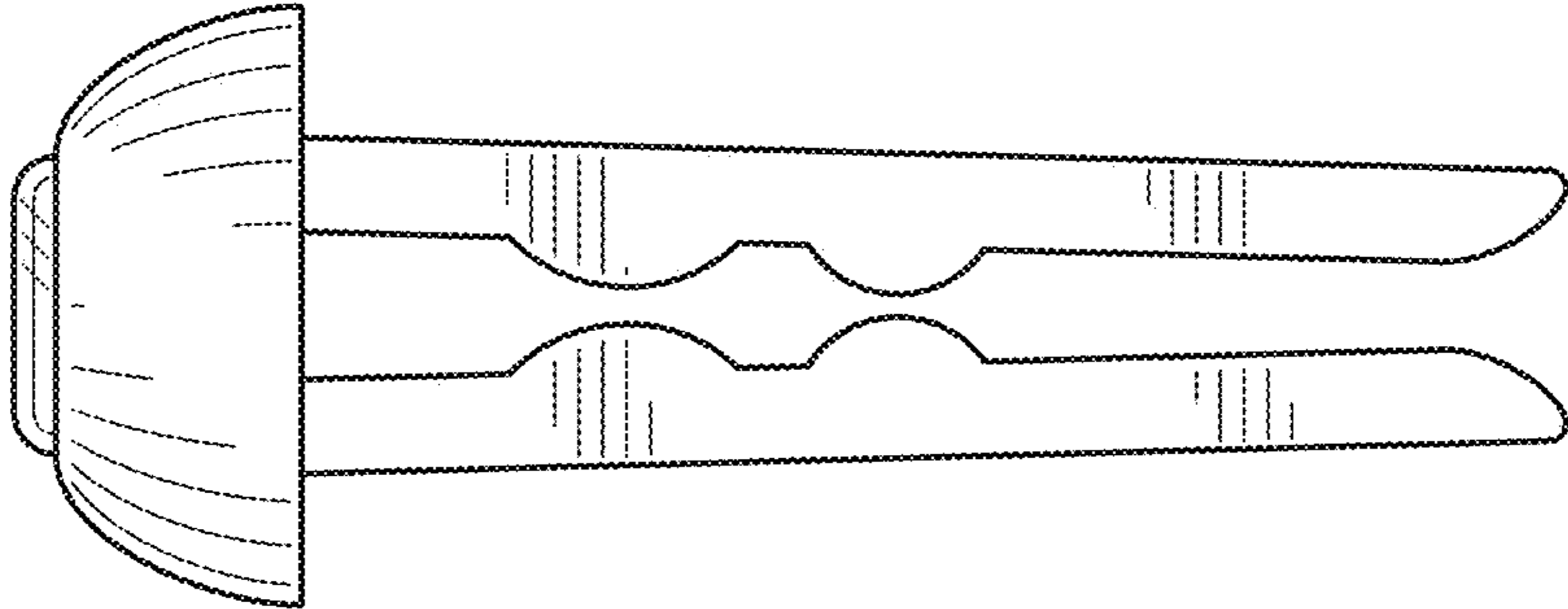


FIG. 3

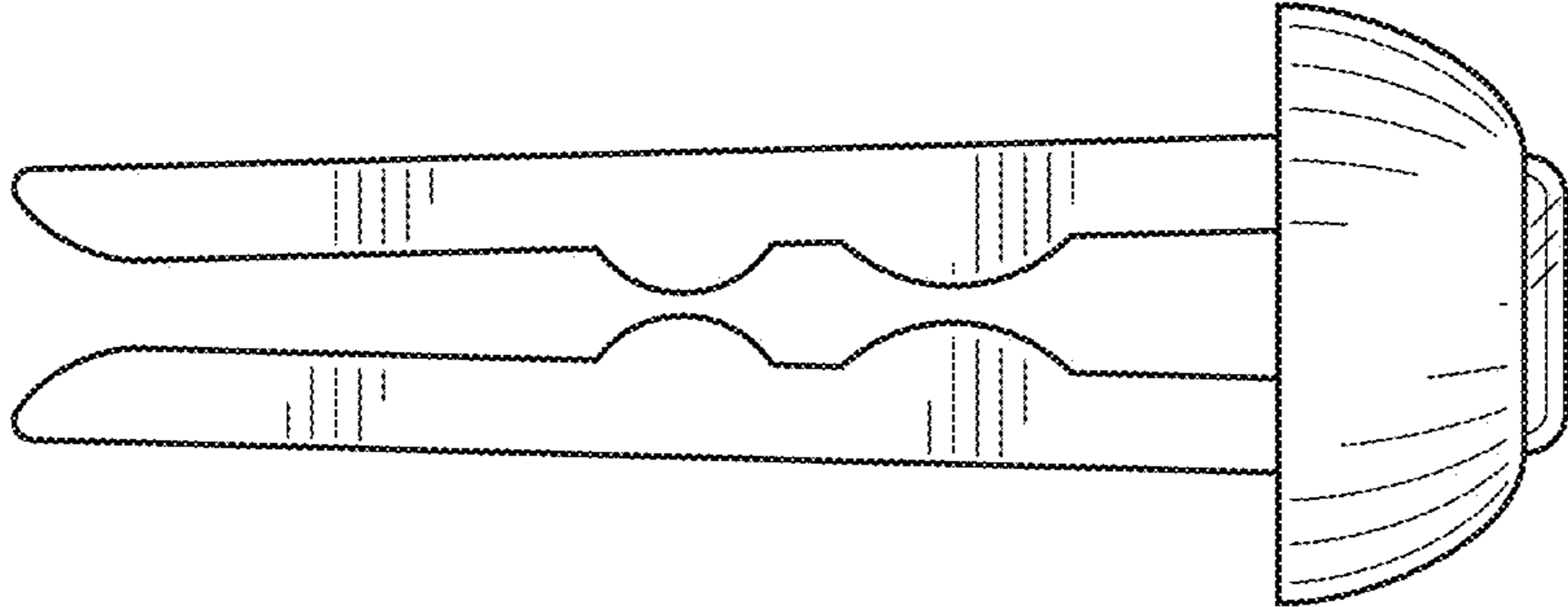


FIG. 4

FIG. 5

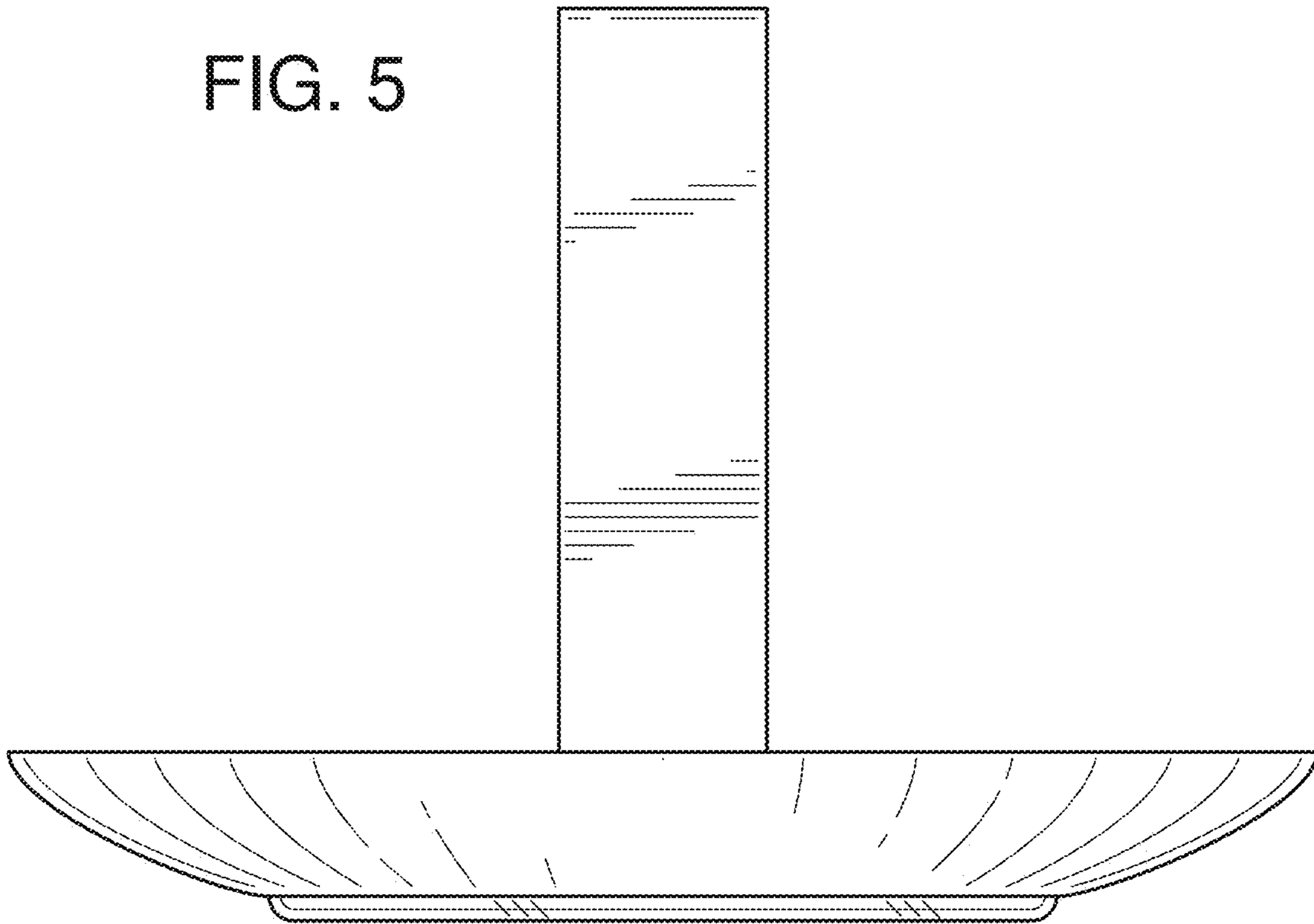
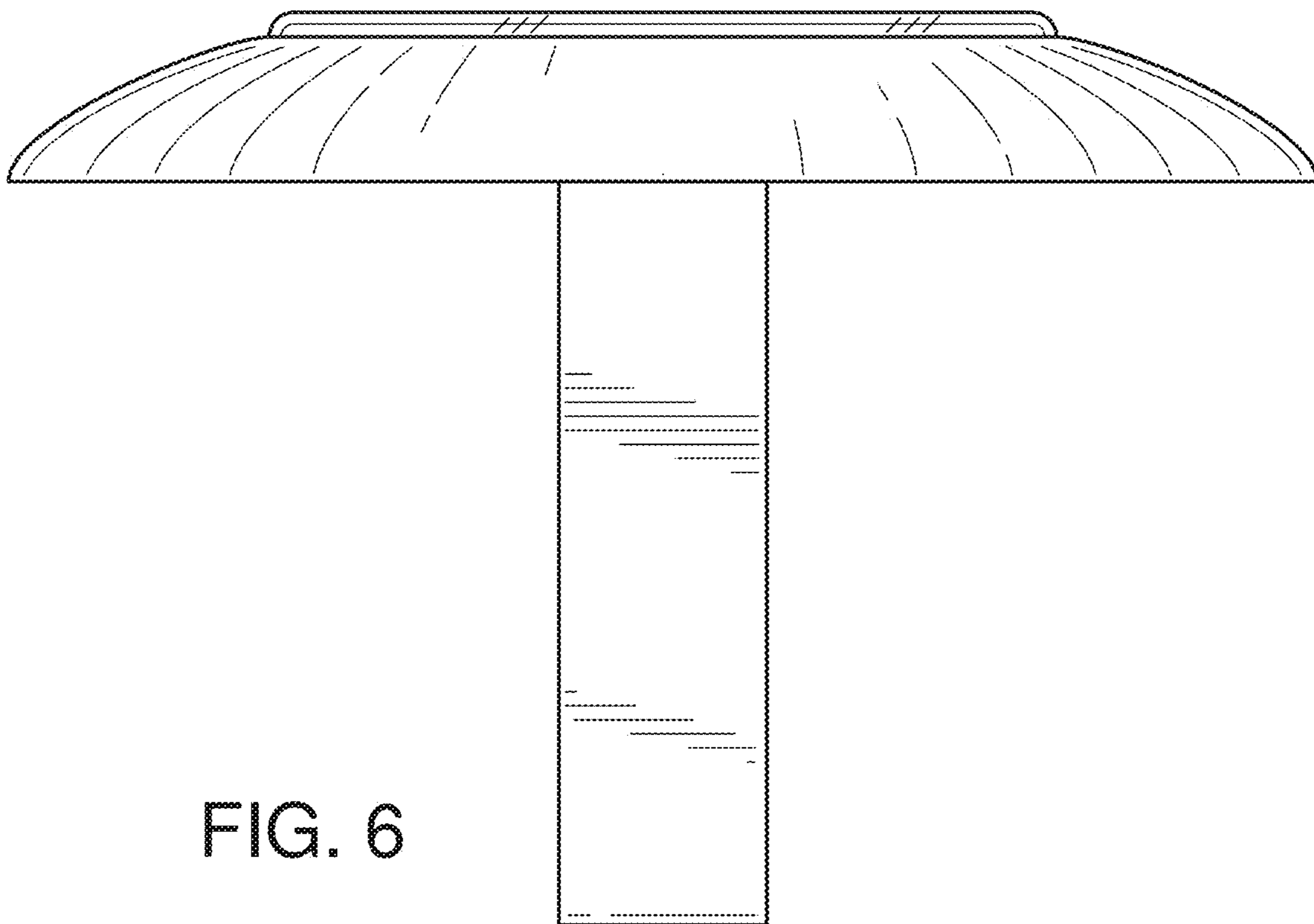


FIG. 6



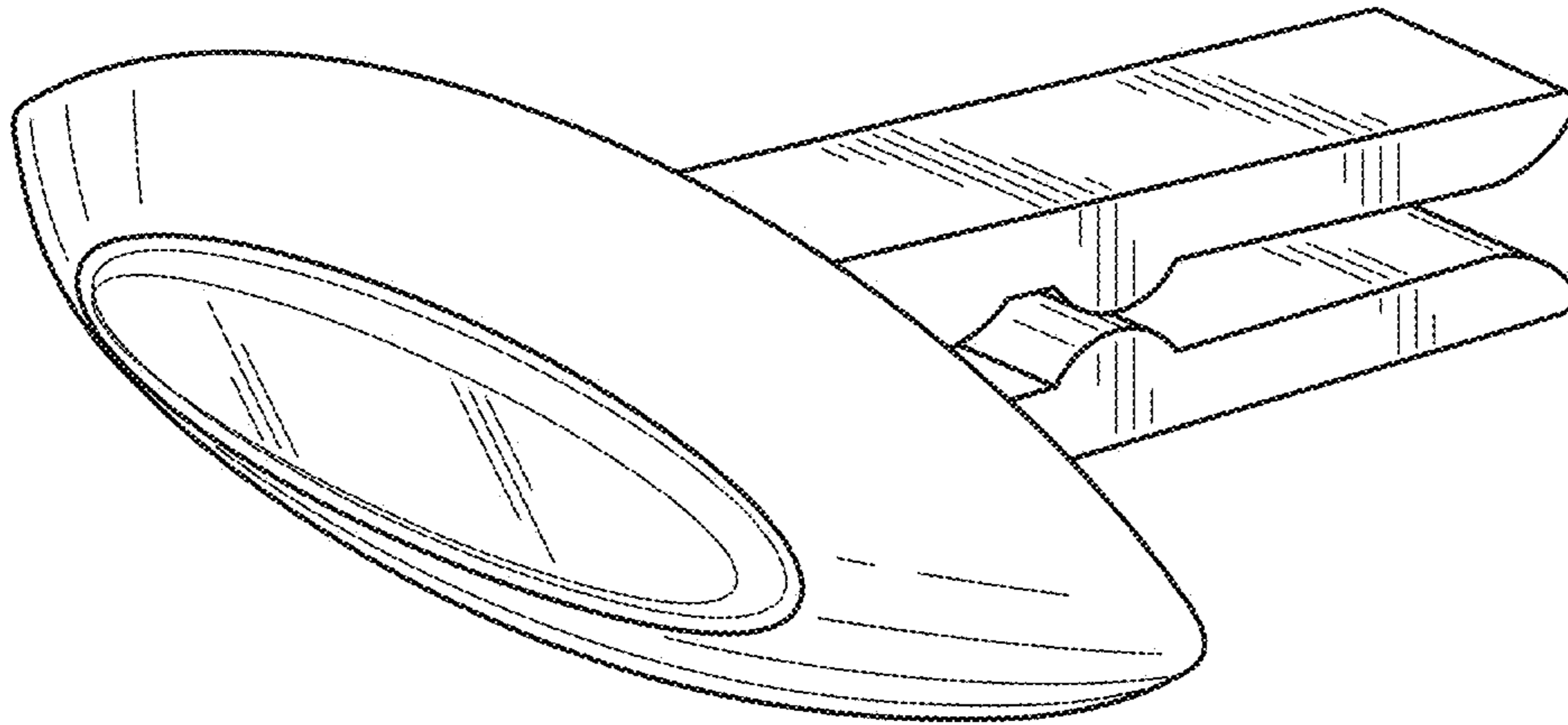


FIG. 7