



US00D913475S

(12) **United States Design Patent**  
**Wu**

(10) **Patent No.:** **US D913,475 S**

(45) **Date of Patent:** **\*\* Mar. 16, 2021**

- (54) **AROMATHERAPY MACHINE**
- (71) Applicant: **SHENZHEN GUZI INTELLIGENT TECHNOLOGY DEVELOPMENT CO., LTD.**, Shenzhen (CN)
- (72) Inventor: **Wenke Wu**, Shenzhen (CN)
- (73) Assignee: **SHENZHEN GUZI INTELLIGENT TECHNOLOGY DEVELOPMENT CO., LTD.**, Shenzhen (CN)
- (\*\*) Term: **15 Years**
- (21) Appl. No.: **29/702,432**
- (22) Filed: **Aug. 19, 2019**
- (51) **LOC (13) Cl.** ..... **23-04**
- (52) **U.S. Cl.**  
USPC ..... **D23/366**
- (58) **Field of Classification Search**  
USPC ..... D23/209, 355, 356, 358, 359, 360, 364, D23/365, 366; D7/316, 505; D9/435, D9/444, 504, 519, 529, 686; D11/131.1; D28/89; D99/5  
CPC . A61L 9/03; A61L 9/012; A61L 9/015; A61L 9/037; F41J 1/01  
See application file for complete search history.

D810,045 S *	2/2018	Kim .....	D14/204
D813,366 S *	3/2018	Tang .....	D23/366
D831,595 S *	10/2018	Mittleman .....	D13/183
D856,501 S *	8/2019	Netkin .....	D23/366
D862,671 S *	10/2019	Zhou .....	D23/356
D865,716 S *	11/2019	Kuang .....	D14/216
D869,629 S *	12/2019	Li .....	D23/366
D872,846 S *	1/2020	Jessup .....	D23/364
D882,747 S *	4/2020	Li .....	D23/366
D892,289 S *	8/2020	Baillie .....	D23/356

\* cited by examiner

*Primary Examiner* — John A Voytek

(74) *Attorney, Agent, or Firm* — Law Offices of Steven W. Weinrieb

(57) **CLAIM**

The ornamental design for an aromatherapy machine, as shown and described.

**DESCRIPTION**

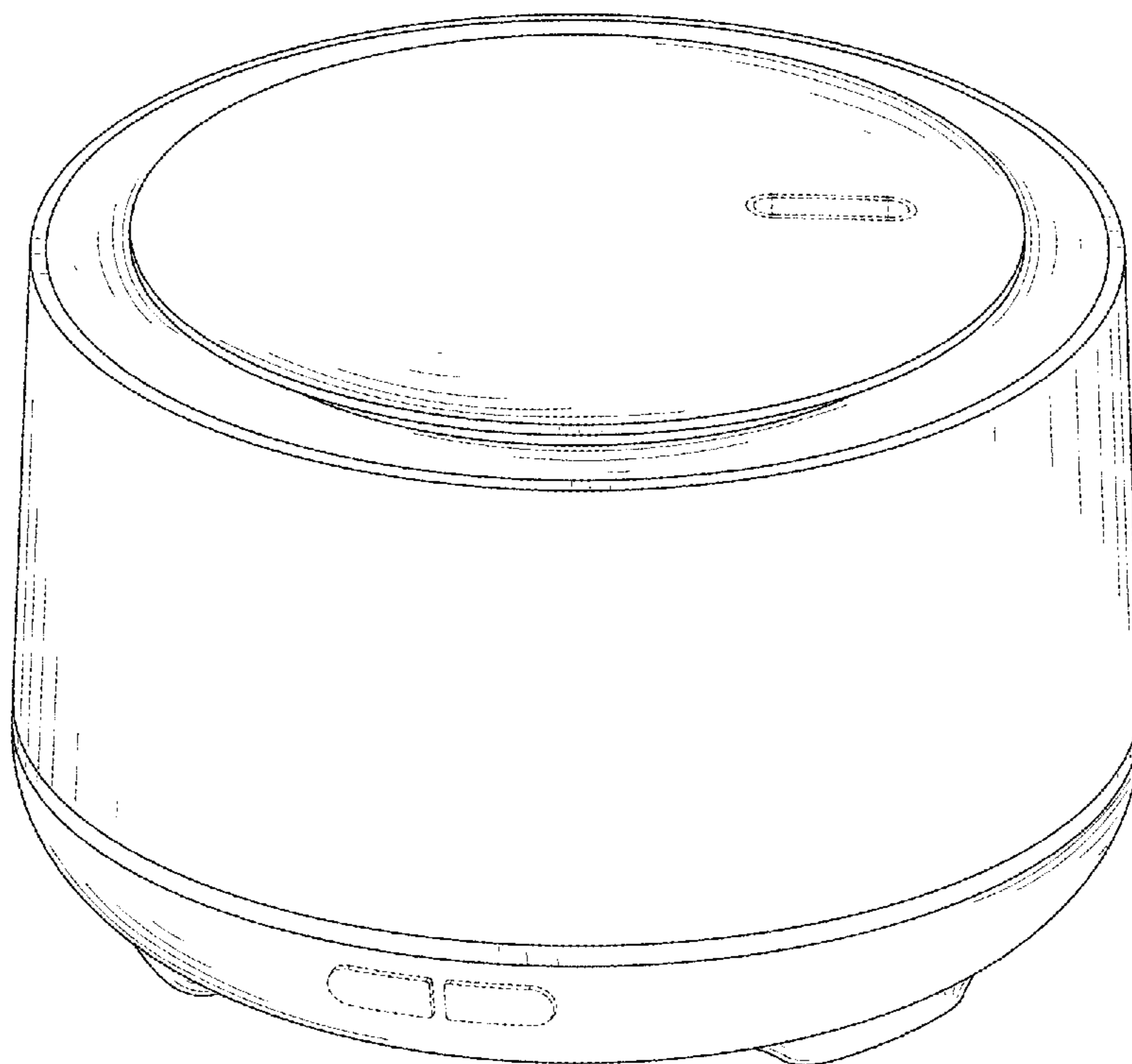
FIG. 1 is a front, right side, top perspective view of an aromatherapy machine showing my new design;  
 FIG. 2 is a rear, left side, bottom perspective view thereof;  
 FIG. 3 is a front elevational view thereof;  
 FIG. 4 is a rear elevational view thereof;  
 FIG. 5 is a left side elevational view thereof;  
 FIG. 6 is a right side elevational view thereof;  
 FIG. 7 is a top plan view thereof; and,  
 FIG. 8 is a bottom plan view thereof.  
 The broken lines immediately adjacent to the claimed portions are boundaries, all other broken lines are environmental structures; all the broken lines form no part of the claimed design.

(56) **References Cited**

**U.S. PATENT DOCUMENTS**

D753,279 S *	4/2016	Li .....	D23/366
D772,391 S *	11/2016	Zimmerli .....	D23/366
D781,798 S *	3/2017	Klepper .....	D14/125

**1 Claim, 8 Drawing Sheets**



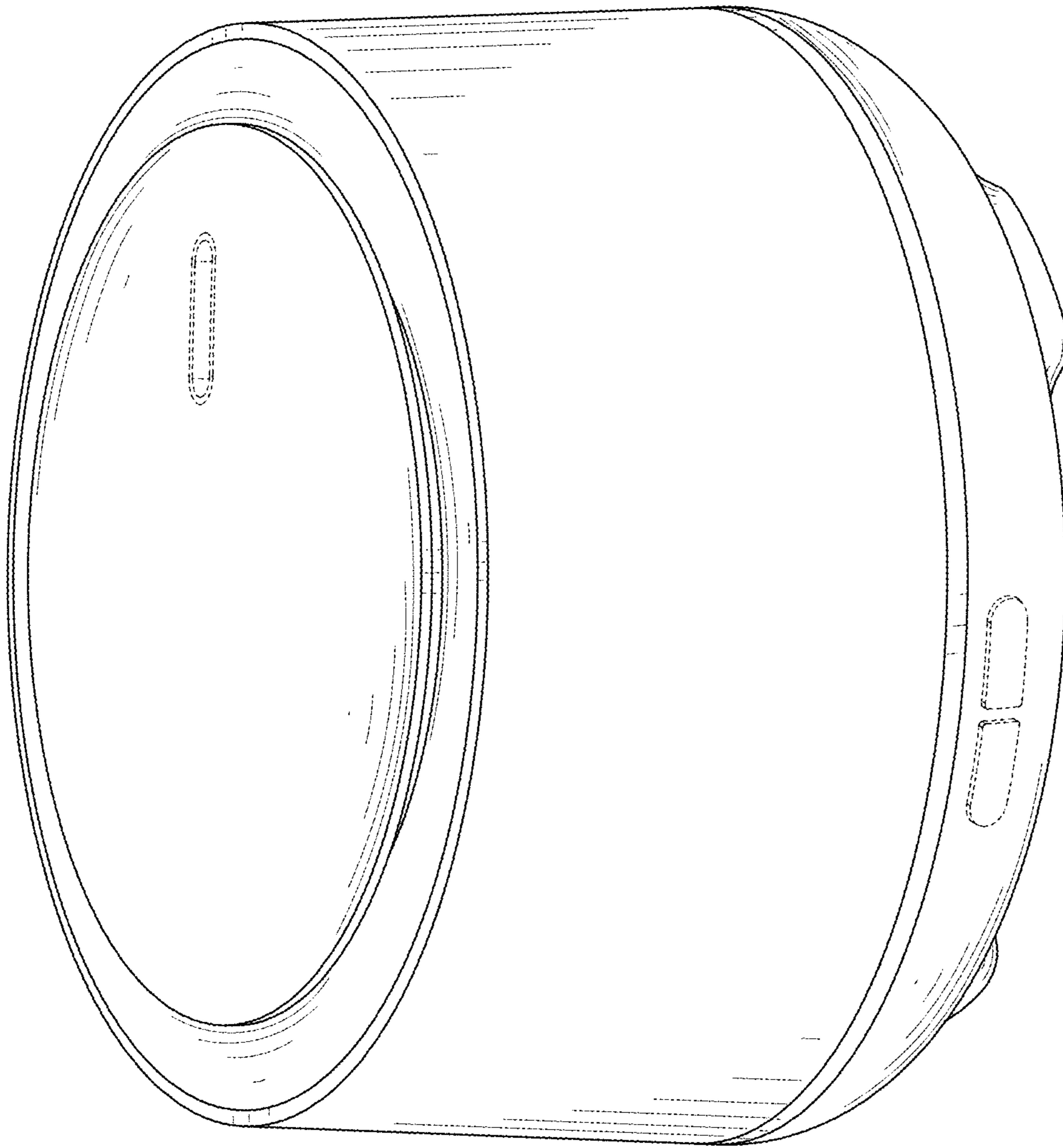


FIG. 1

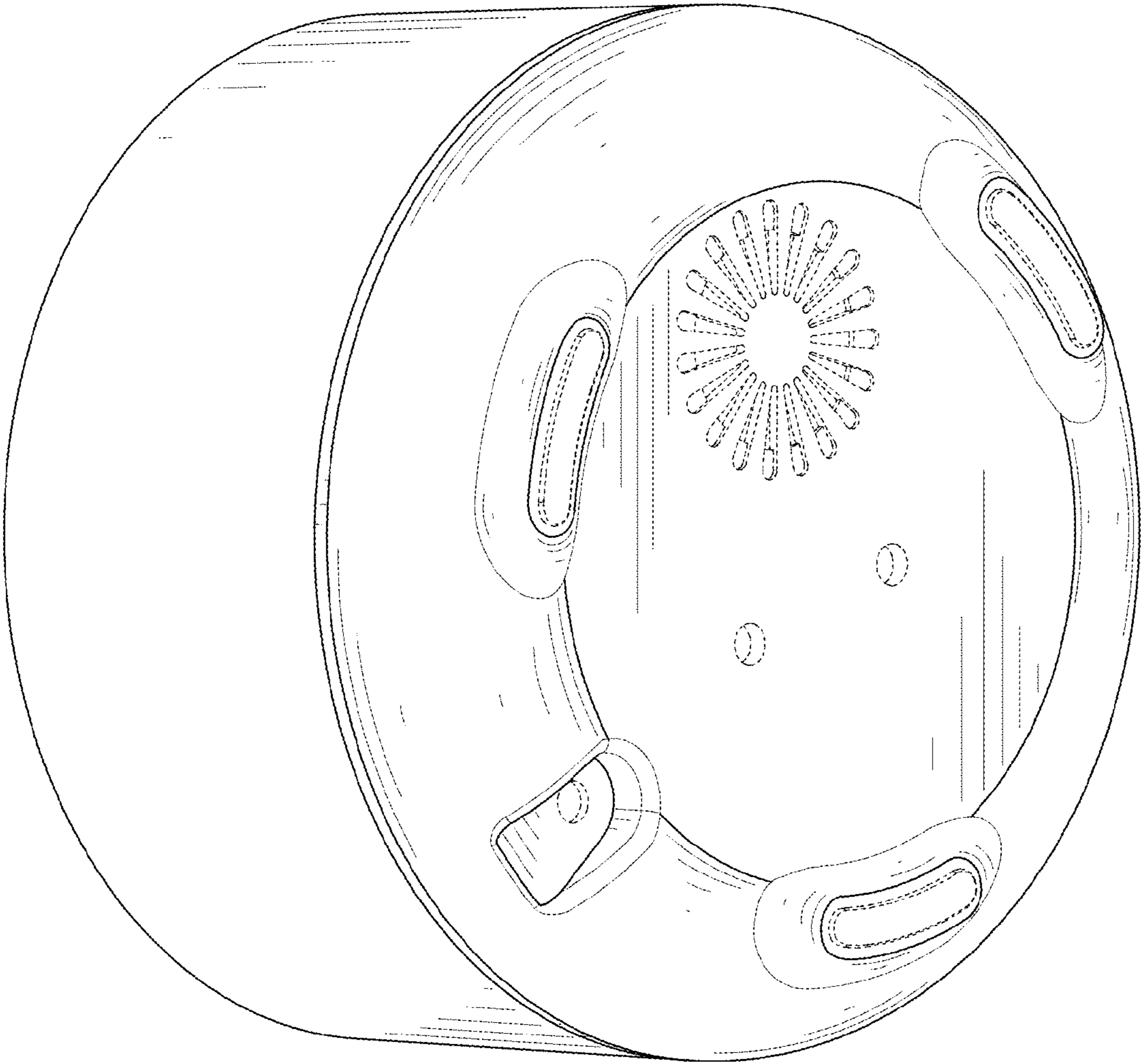


FIG. 2

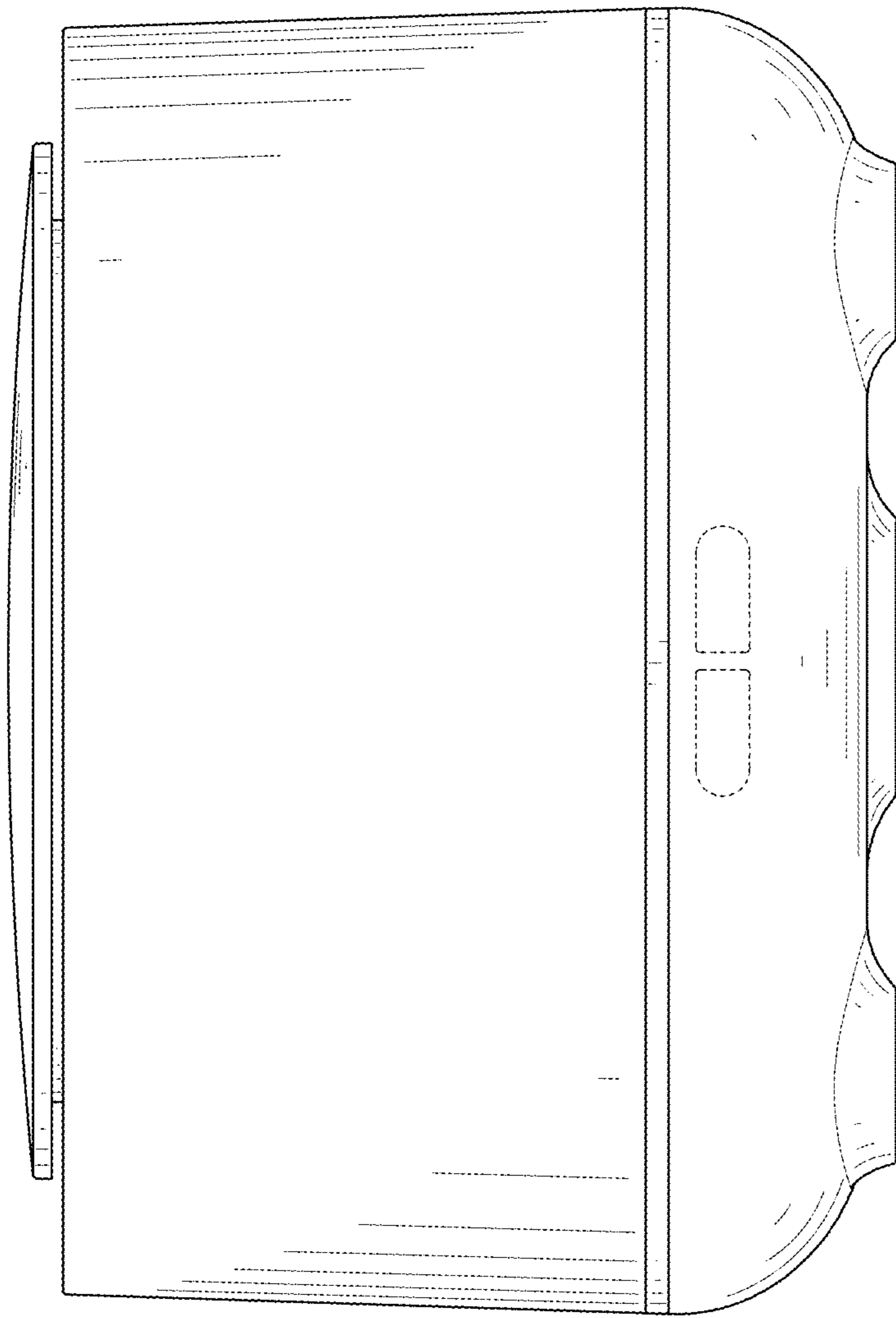


FIG. 3



FIG. 4

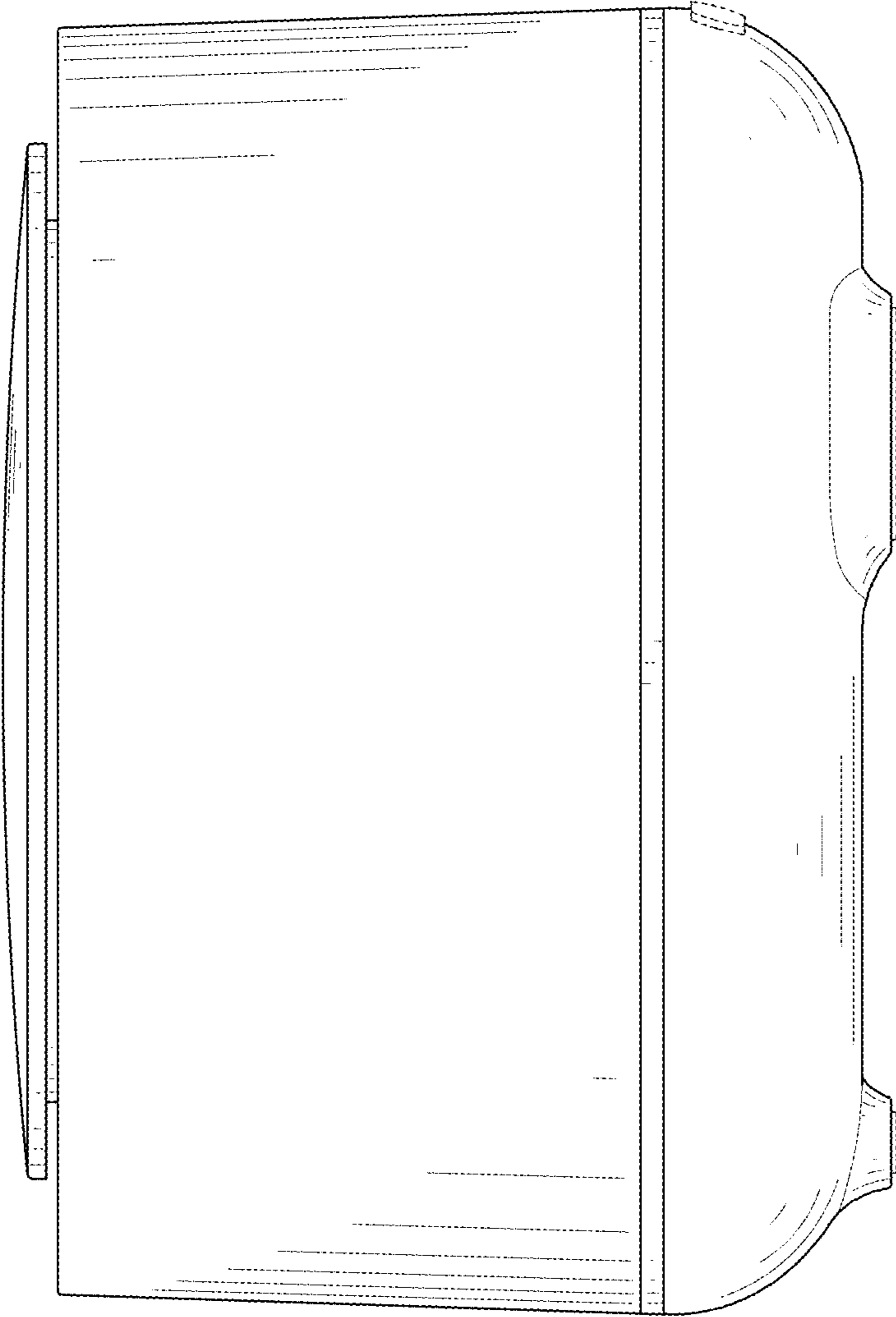


FIG. 5

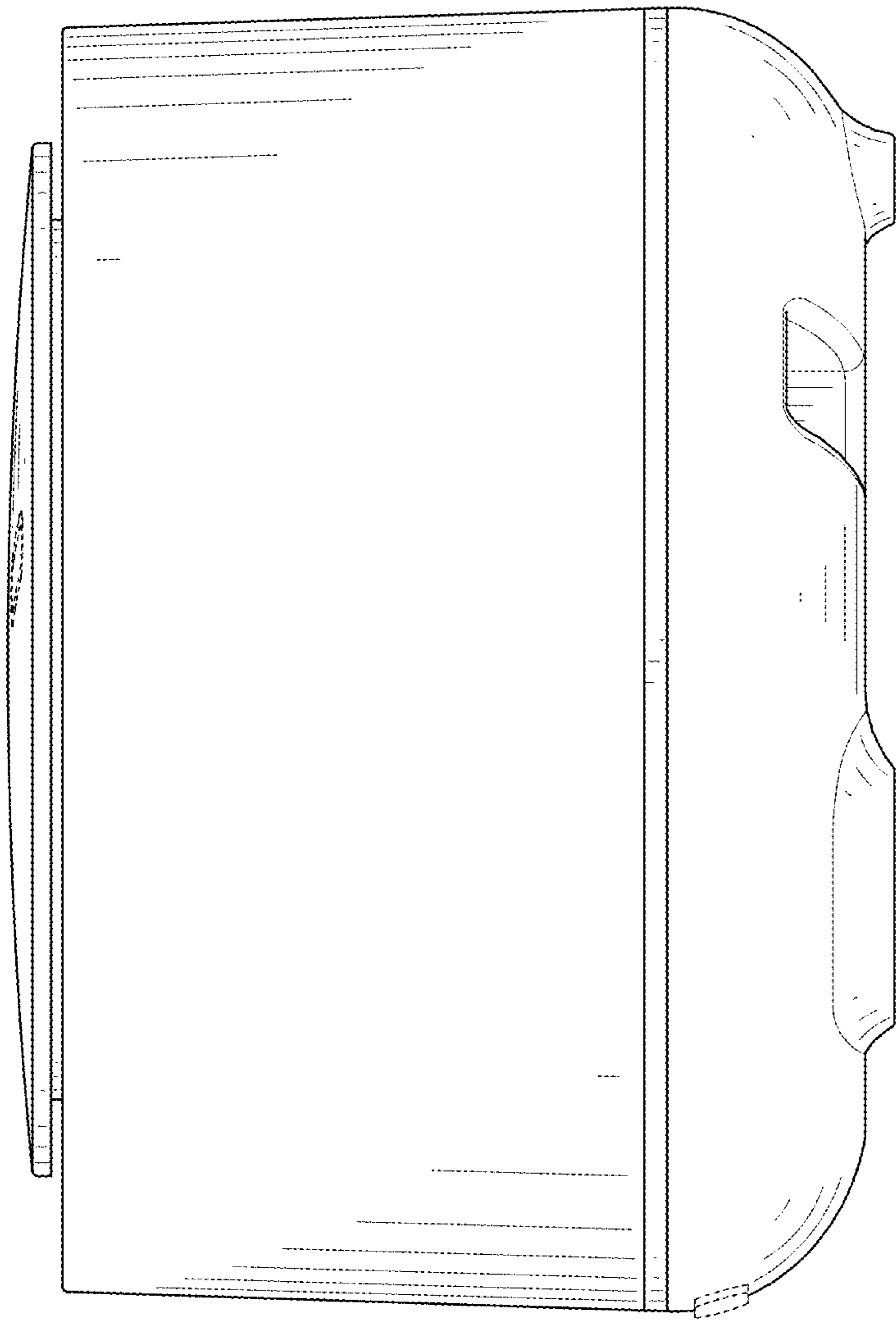


FIG. 6

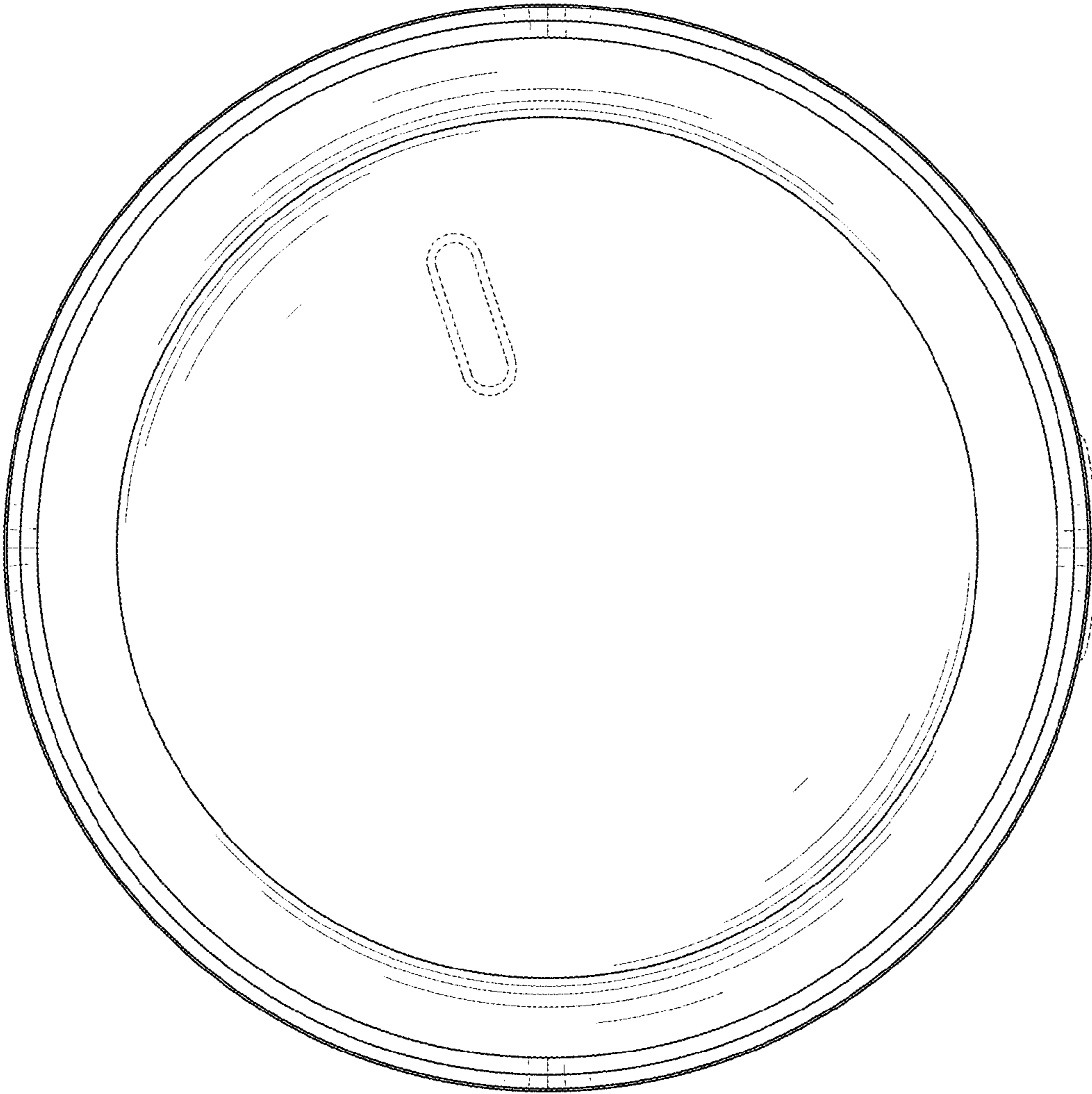


FIG. 7



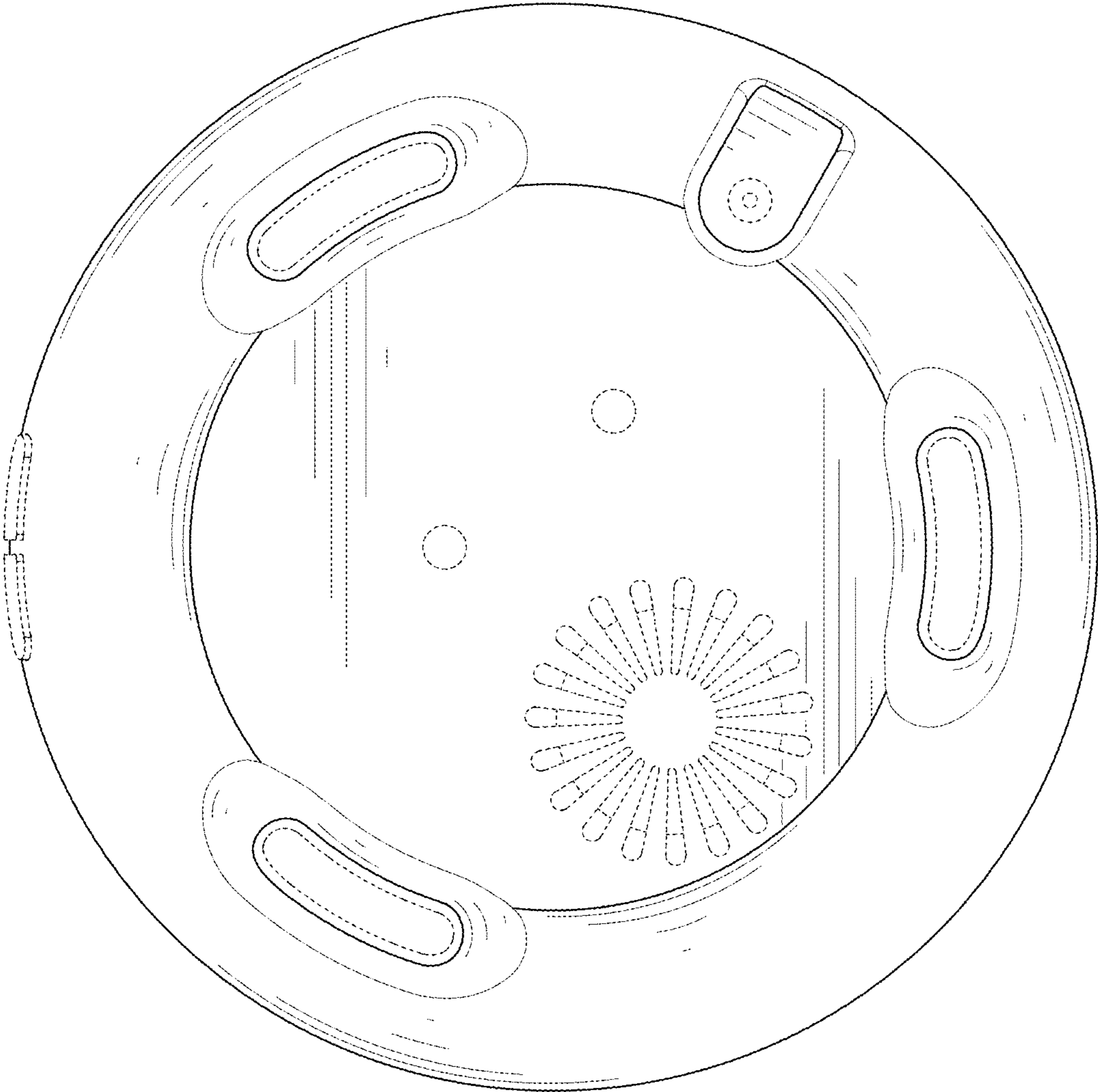


FIG. 8