



US00D913473S

(12) **United States Design Patent** (10) **Patent No.:** **US D913,473 S**
Oura (45) **Date of Patent:** **** Mar. 16, 2021**

(54) **DEODORIZING MACHINE**
(71) Applicant: **SUNSTAR ENGINEERING INC.,**
Takatsuki (JP)
(72) Inventor: **Issei Oura,** Osaka (JP)
(73) Assignee: **SUNSTAR ENGINEERING INC.,**
Takatsuki (JP)

D654,146 S *	2/2012	Bell	D23/209
D733,859 S *	7/2015	Hsiao	D23/366
D753,279 S *	4/2016	Li	D23/366
D823,450 S *	7/2018	Seo	D23/358
D855,784 S *	8/2019	Seo	D23/358
D859,411 S *	9/2019	Bidwell	D14/420
D861,847 S *	10/2019	Li	D23/366
D865,927 S *	11/2019	Baek	D23/325
D870,258 S *	12/2019	Song	D23/366
D874,631 S *	2/2020	Lee	D23/366
2014/0072286 A1 *	3/2014	Hsiao	A61L 9/03 392/390

(**) Term: **15 Years**

(21) Appl. No.: **29/694,327**

(22) Filed: **Jun. 10, 2019**

(30) **Foreign Application Priority Data**

Dec. 10, 2018 (JP) 2018-026858
Dec. 10, 2018 (JP) 2018-026859

(51) **LOC (13) Cl.** **23-04**

(52) **U.S. Cl.**
USPC **D23/366**

(58) **Field of Classification Search**
USPC D23/355, 356, 358, 359, 360, 364, 366;
D7/316, 505; D9/435, 444, 504, 519,
D9/529, 686; D11/131.1; D28/89;
D99/5
CPC . A61L 9/03; A61L 9/012; A61L 9/015; A61L
9/037; F41J 1/01
See application file for complete search history.

(56) **References Cited**

U.S. PATENT DOCUMENTS

D270,468 S * 9/1983 Hoyt D23/369
D611,588 S * 3/2010 Jorgensen D23/366

* cited by examiner

Primary Examiner — John A Voytek
(74) *Attorney, Agent, or Firm* — Westerman, Hattori,
Daniels & Adrian, LLP

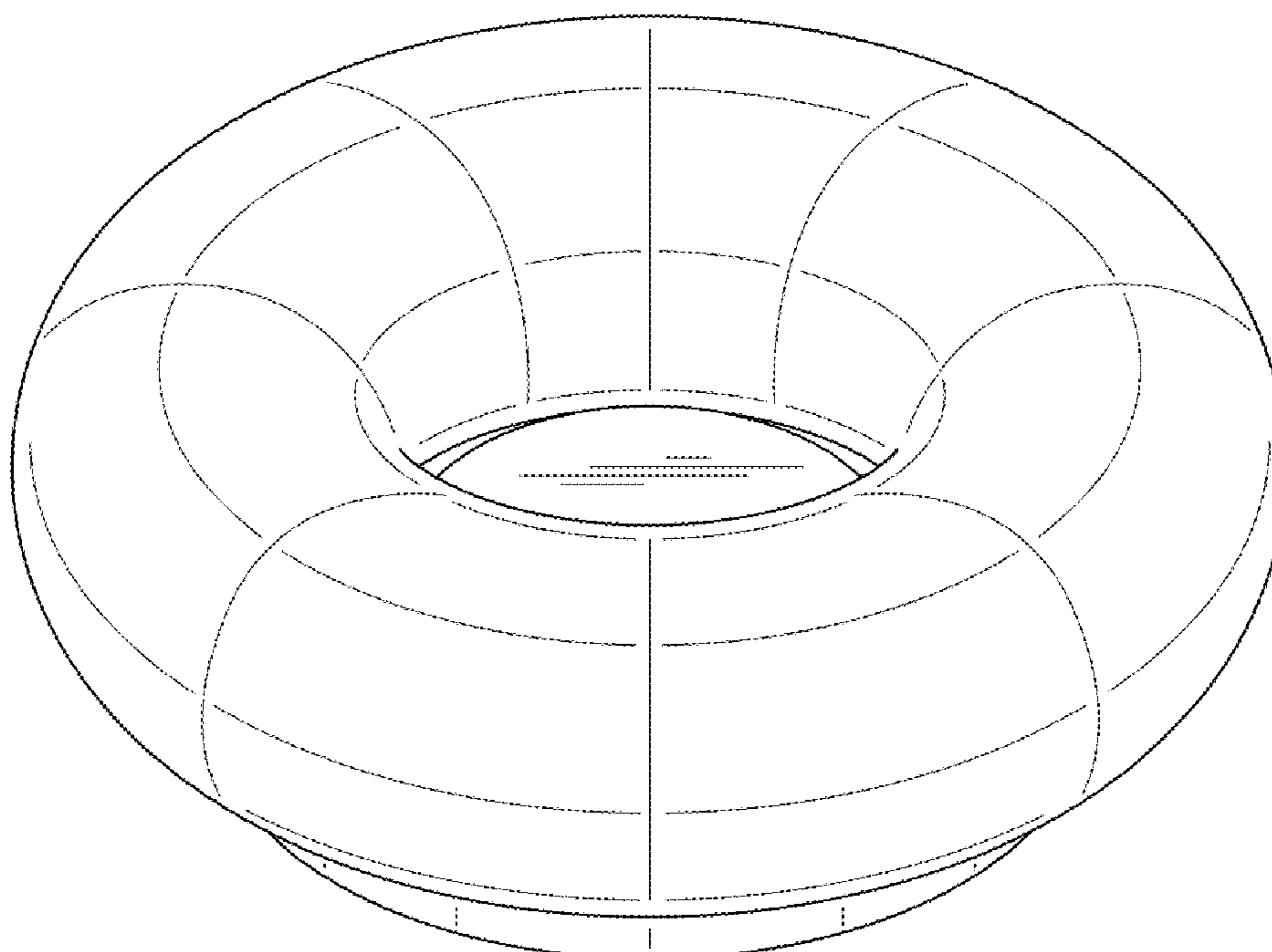
(57) **CLAIM**

The ornamental design for a deodorizing machine, as shown and described.

DESCRIPTION

FIG. 1 is a perspective view of a deodorizing machine, showing my new design.
FIG. 2 is a front elevational view thereof.
FIG. 3 is a rear elevational view thereof.
FIG. 4 is a right side elevational view thereof.
FIG. 5 is a left side elevational view thereof.
FIG. 6 is a top plan view thereof.
FIG. 7 is a bottom plan view thereof; and,
FIG. 8 is a cross-sectional view, taken along line 8-8 of FIG. 6.
The broken line portions of the design are included to show unclaimed portions and form no part of the claimed design.

1 Claim, 8 Drawing Sheets



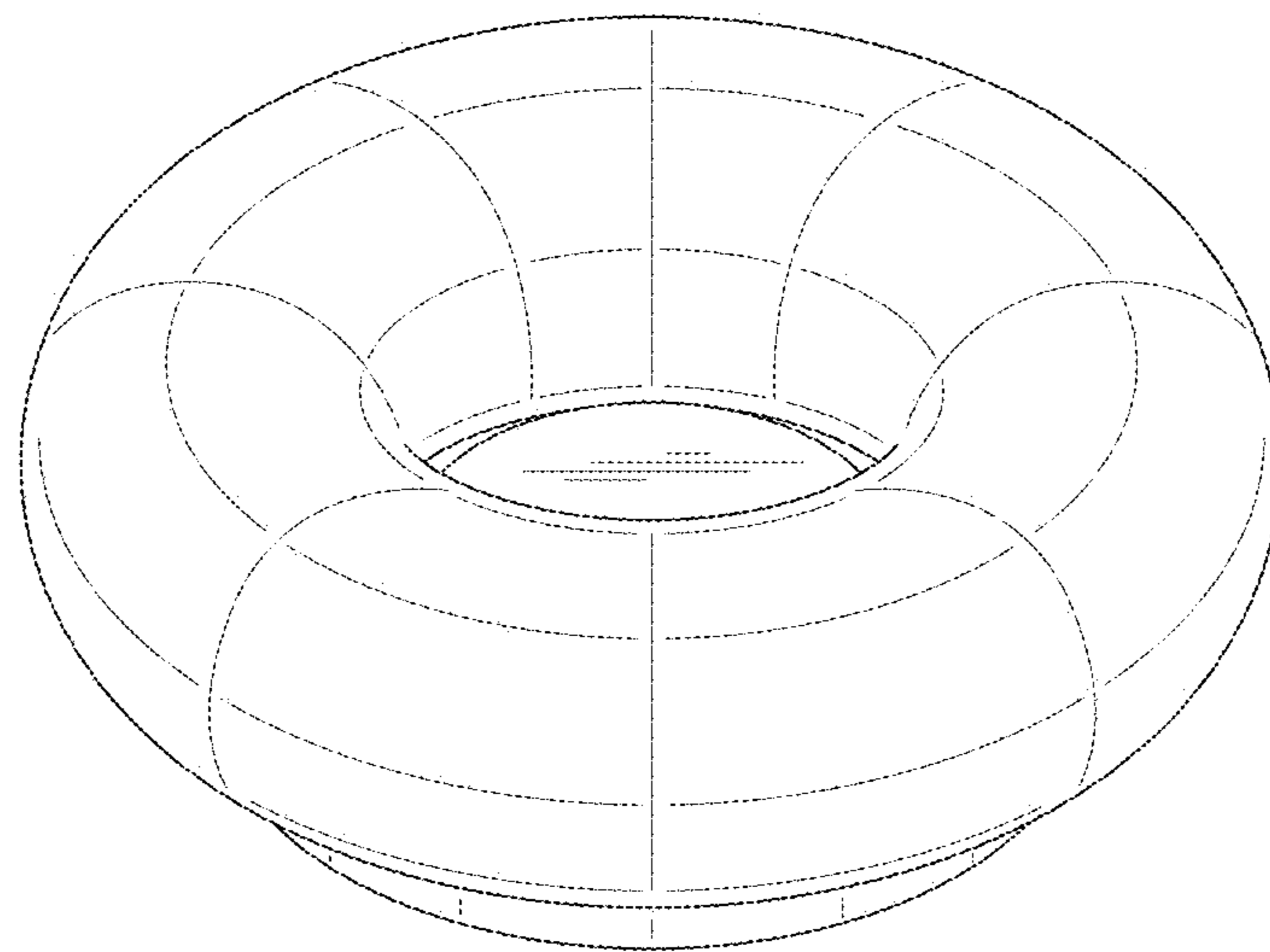


FIG. 1

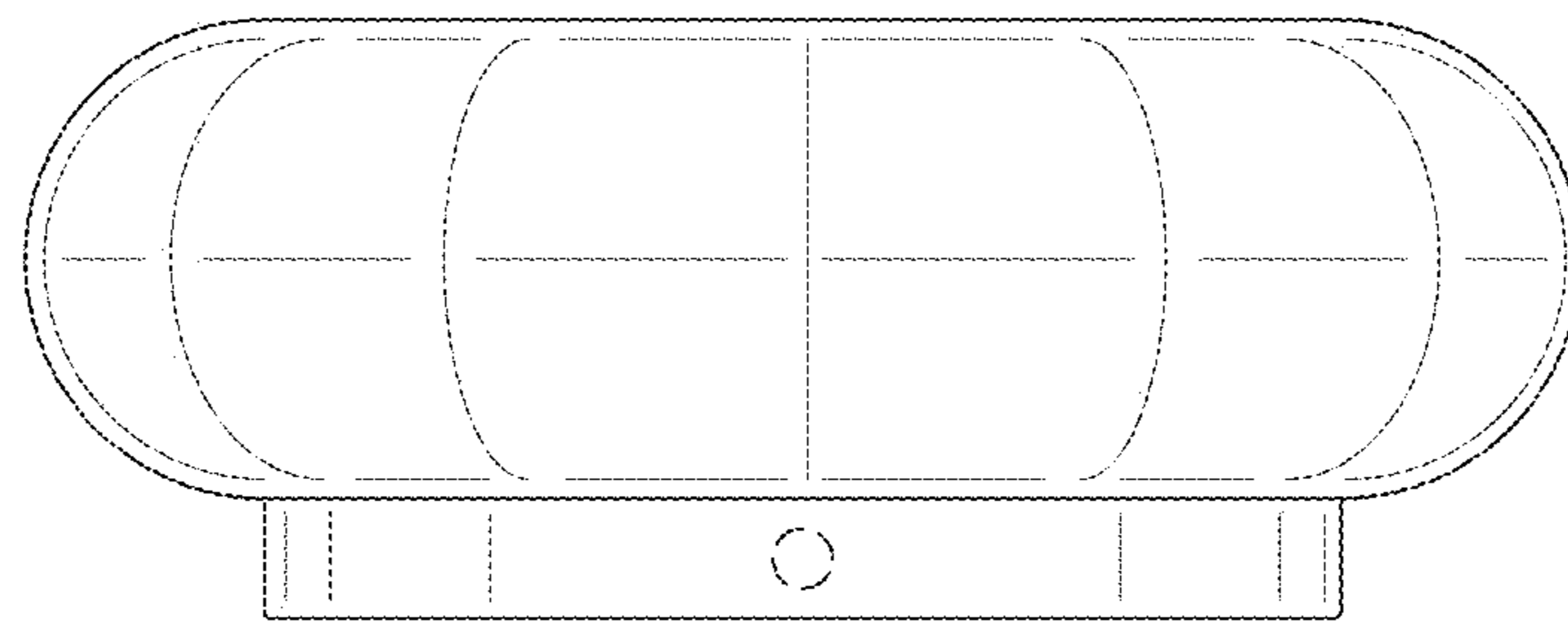


FIG. 2

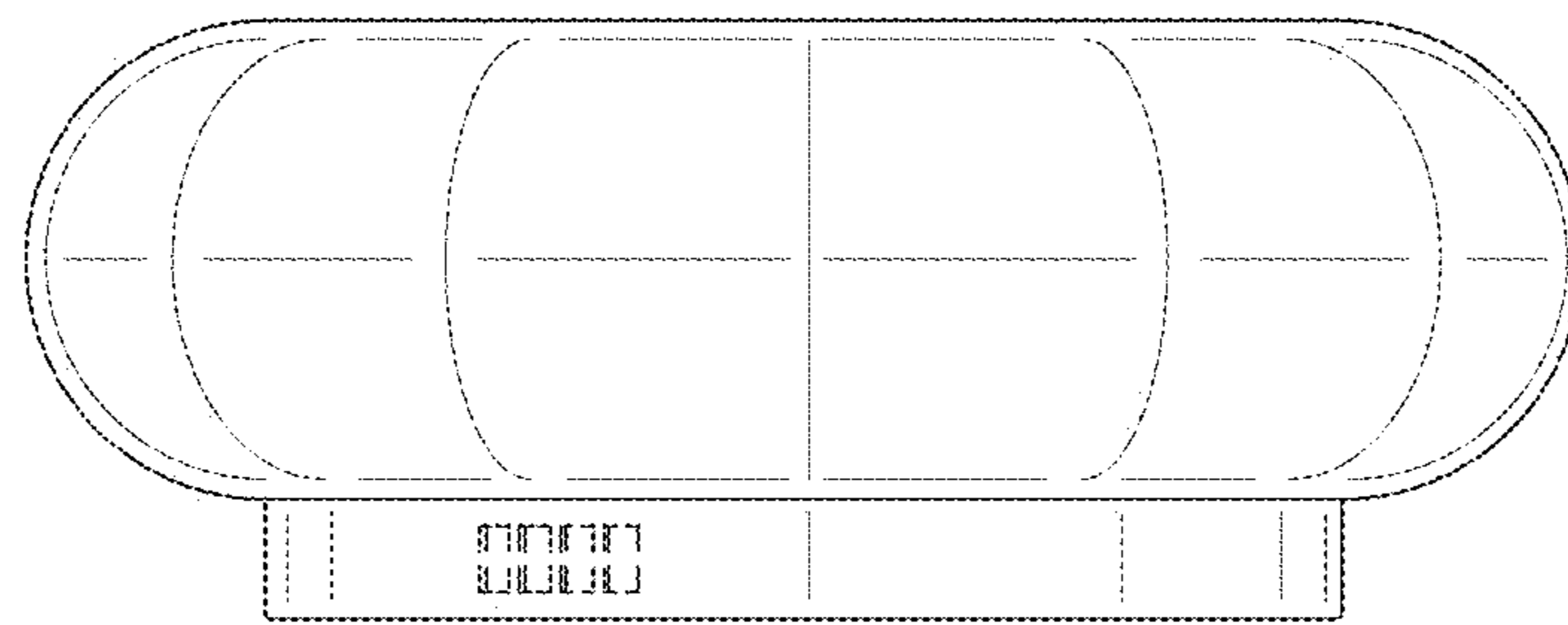


FIG. 3

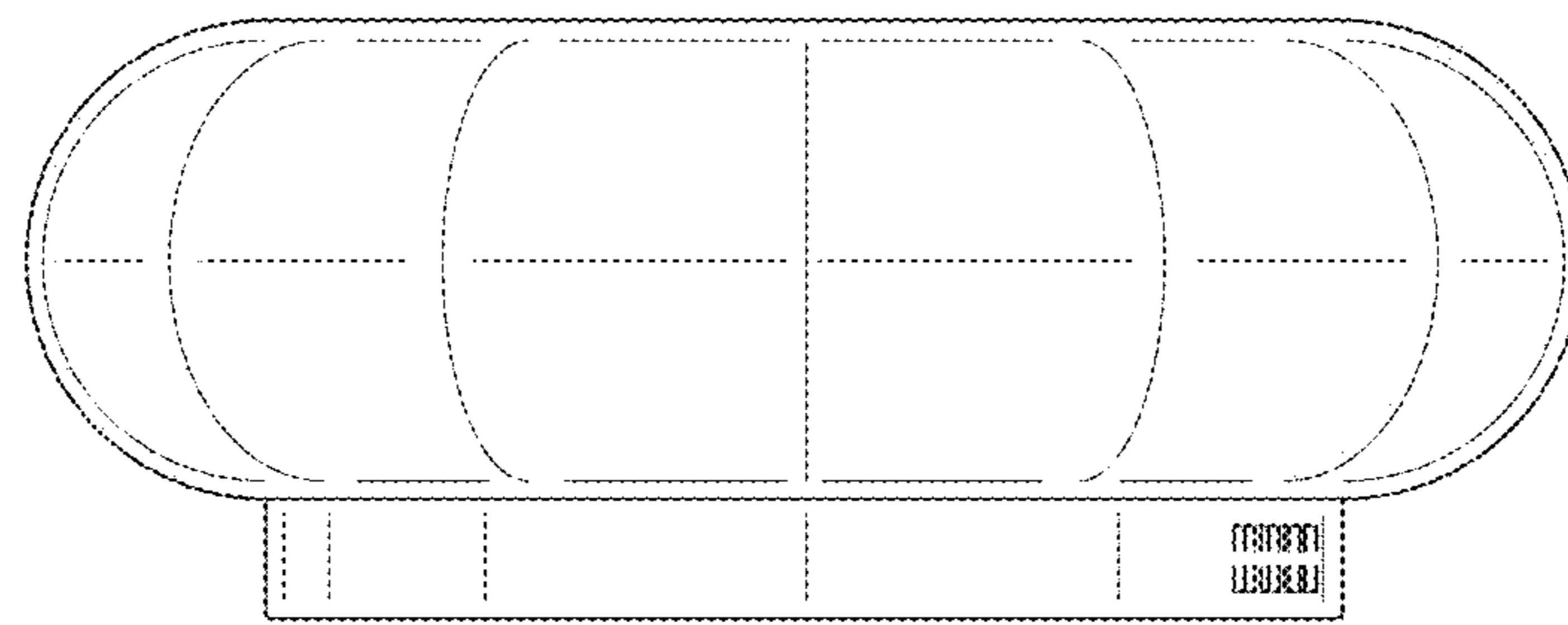


FIG. 4

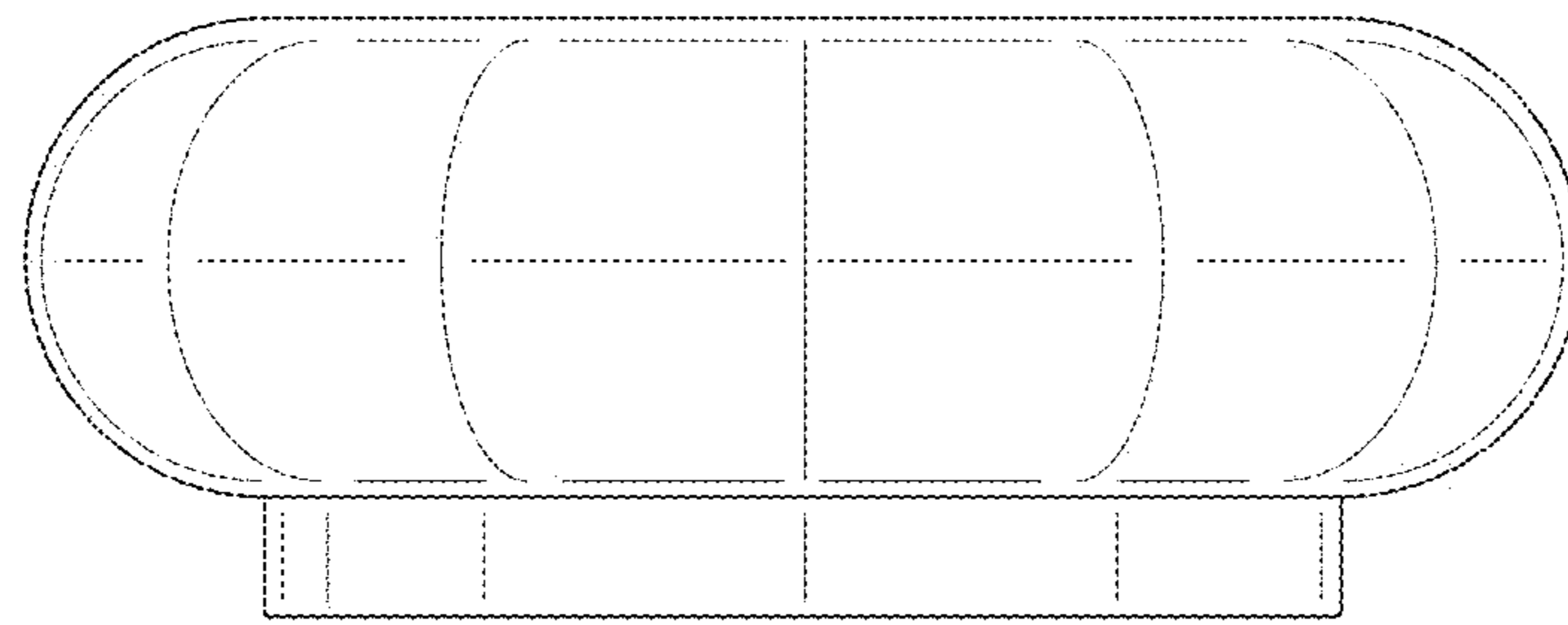


FIG. 5

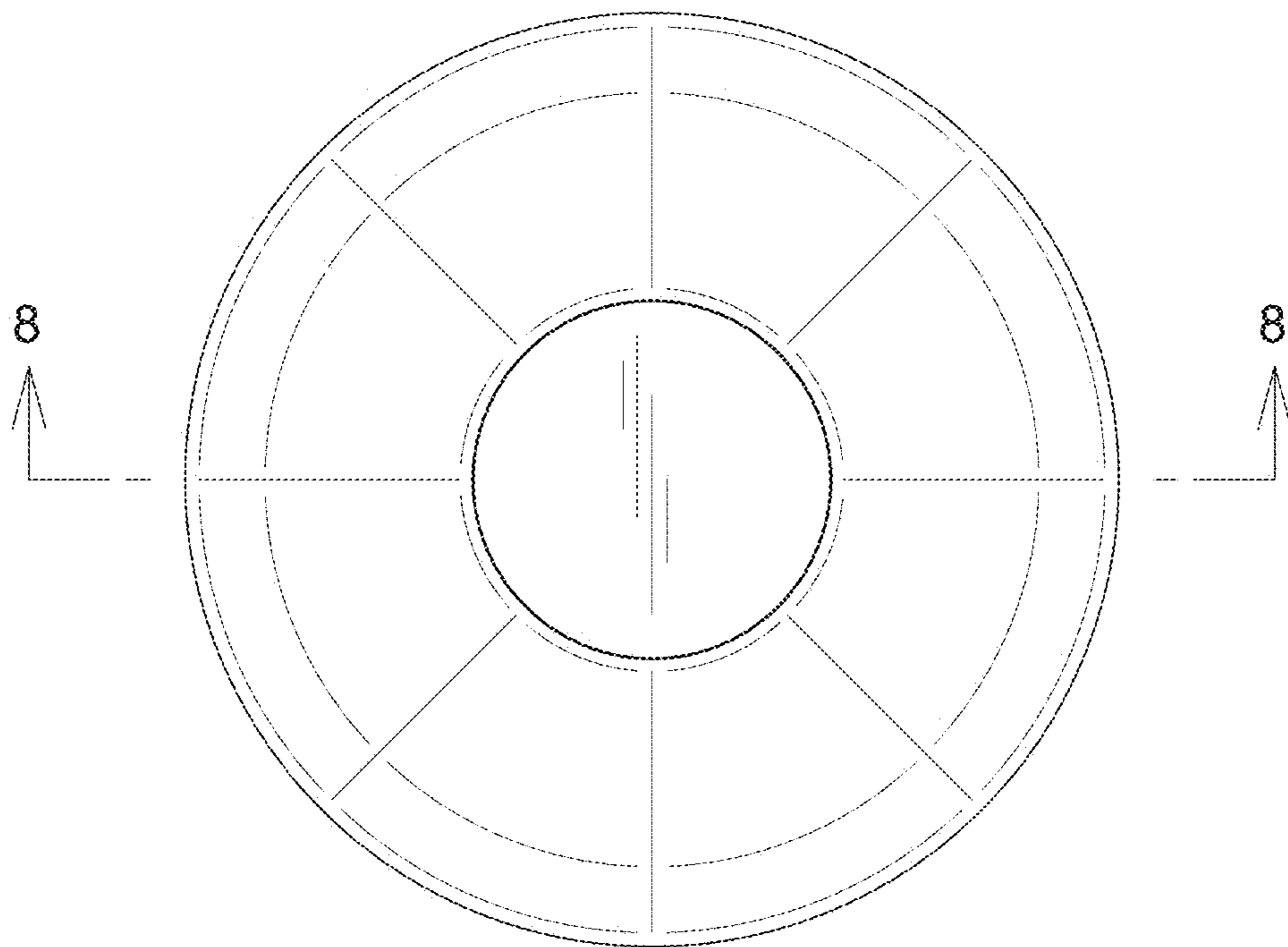


FIG. 6

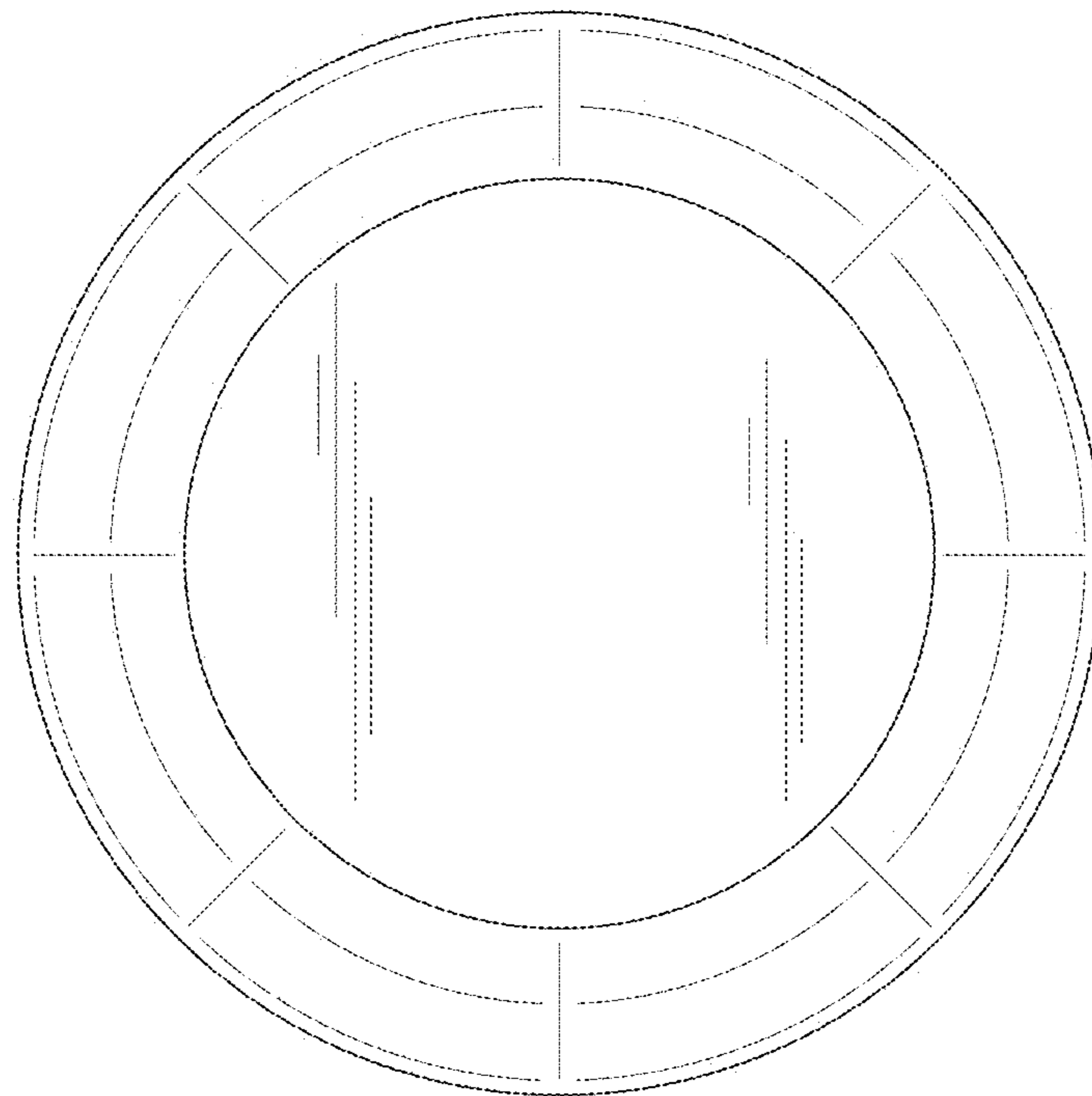


FIG. 7

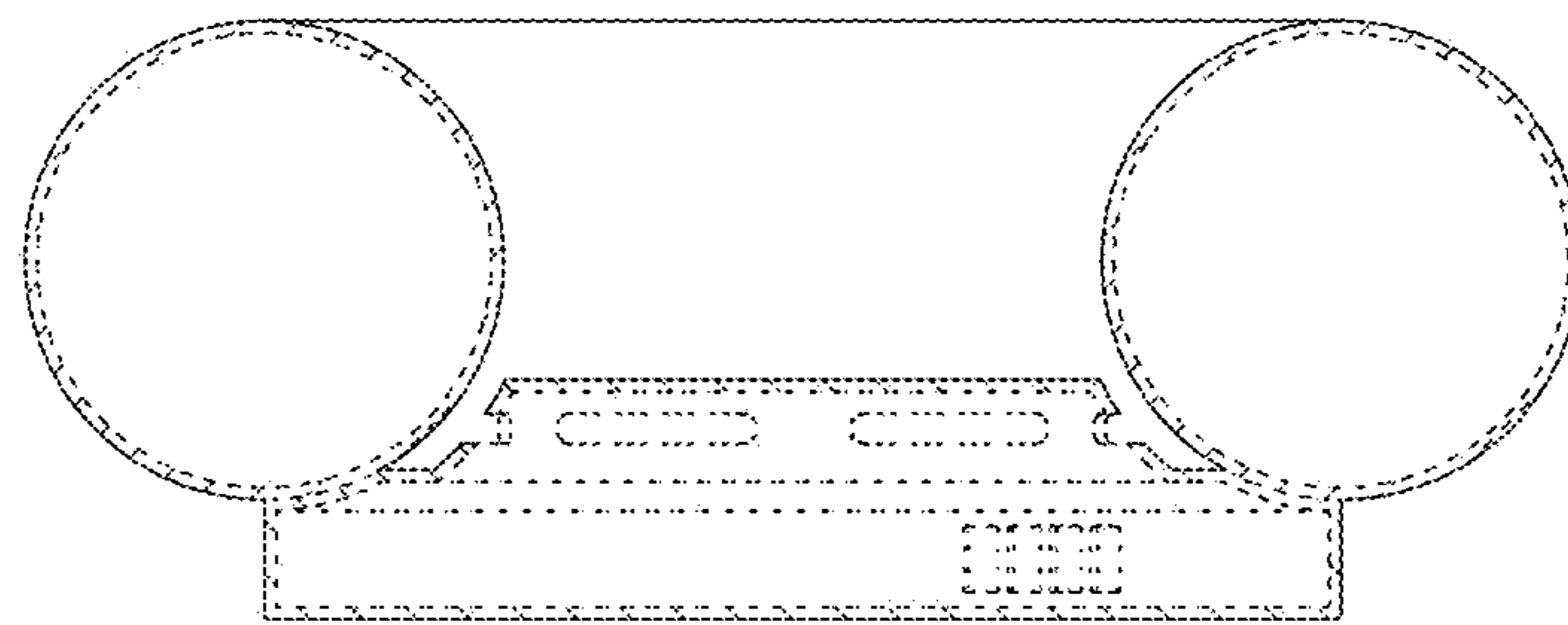


FIG. 8