



US00D913472S

(12) **United States Design Patent**
Malek-Ahmadi

(10) **Patent No.:** **US D913,472 S**
(45) **Date of Patent:** **** Mar. 16, 2021**

(54) **AIR FRESHENER INSERT FOR A CAR VENT**

(71) Applicant: **Arash Malek-Ahmadi**, El Cerrito, CA (US)

(72) Inventor: **Arash Malek-Ahmadi**, El Cerrito, CA (US)

(**) Term: **15 Years**

(21) Appl. No.: **29/680,213**

(22) Filed: **Feb. 14, 2019**

(51) **LOC (13) Cl.** **23-04**

(52) **U.S. Cl.**
USPC **D23/366**

(58) **Field of Classification Search**
USPC D23/355-369; D11/218
CPC A61L 9/02; A61L 9/03; A61L 9/12; A61L 9/035; A61L 9/125
See application file for complete search history.

(56) **References Cited**

U.S. PATENT DOCUMENTS

- 244,776 A * 7/1881 Wales A41F 3/00 24/315
- D24,119 S * 3/1895 Gumbinner D11/218
- 1,049,757 A * 1/1913 Negraval A44B 11/04 24/198
- D78,658 S * 5/1929 Shields D11/218
- D290,349 S * 6/1987 Kasai D11/218
- D471,132 S * 3/2003 Murata D11/218

(Continued)

OTHER PUBLICATIONS

Ventmastersstore.com, 2³/₈"x6³/₄" Stainless Locker Vent, undated online product page, retrieved Nov. 17, 2020 from <URL:https://ventmastersstore.com/products/2-3-8-x-6-3-4-stainless-locker-vent> (Year: 2020).*

(Continued)

Primary Examiner — Sheryl Lane

Assistant Examiner — Calvin E Vansant

(74) *Attorney, Agent, or Firm* — Steven A. Nielsen; www.NielsenPatents.com

(57) **CLAIM**

The ornamental design for an air freshener insert for a car vent, as shown and described.

DESCRIPTION

FIG. 1 is a front side view of an air freshener insert for a car vent showing a new design the back side view being a mirror image thereof;

FIG. 2 is a right side view thereof the left side being a mirror image thereof;

FIG. 3 is a top end view thereof with the bottom end view being a mirror image thereof;

FIG. 4 is a perspective view thereof;

FIG. 5 is a perspective view thereof;

FIG. 6 is a perspective view thereof, being placed in a car vent;

FIG. 7 is a front side view of an alternative embodiment thereof, with the back side being a mirror image thereof; and

FIG. 8 is a right side view of an alternative embodiment thereof, with the left side view being a mirror image thereof;

FIG. 9 is a top end view of an alternative embodiment thereof with the bottom end view being a mirror image thereof;

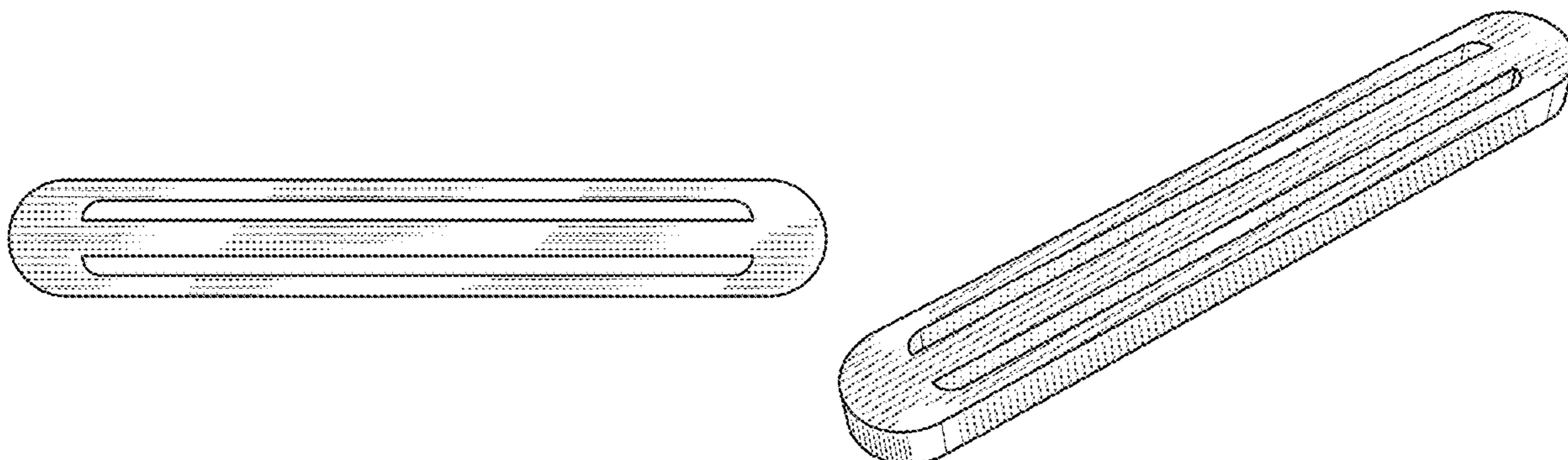
FIG. 10 is a perspective view of an alternative embodiment thereof.

FIG. 11 is a perspective view of an alternative embodiment thereof; and,

FIG. 12 is a perspective view of an alternative embodiment thereof being placed in a car vent.

The dotted lines of FIG. 6 and FIG. 12 illustrate environmental conditions only and form no part of the claimed design.

1 Claim, 12 Drawing Sheets



(56)

References Cited

U.S. PATENT DOCUMENTS

7,000,263	B2 *	2/2006	McNeal	A44B 11/12 2/452
D611,710	S *	3/2010	Paik	D3/318
D639,465	S *	6/2011	Abernethy	D26/24
D644,534	S *	9/2011	Stengel	D9/707
D649,087	S *	11/2011	Harada	A41F 3/00 D11/218
D671,447	S *	11/2012	Nerison, Sr.	D11/218
D712,306	S *	9/2014	Fildan	D11/218
D744,897	S *	12/2015	Badgett	A44B 11/12 D11/210
D746,428	S *	12/2015	Martinez	D23/366
D795,132	S *	8/2017	Dumas	D11/231
D817,809	S *	5/2018	Dumas	A44B 11/04 D11/218
D883,139	S *	5/2020	Fildan	D11/218

OTHER PUBLICATIONS

Amazon.com, Linear Slot Diffuser, online product page retrieved Nov. 2020 from <URL:https://www.amazon.com/36-Linear-Slot-Diffuser-Register/dp/B06XQ822G9> (Year: 2020).*

Ventmastersstore.com, Slotted Mesh Vent, undated online product page, retrieved Nov. 17, 2020 from <URL:https://ventmastersstore.com/products/3-1-8-x-14-5-16-slotted-mesh-vent-starboard?variant=5130087620> (Year: 2020).*

* cited by examiner

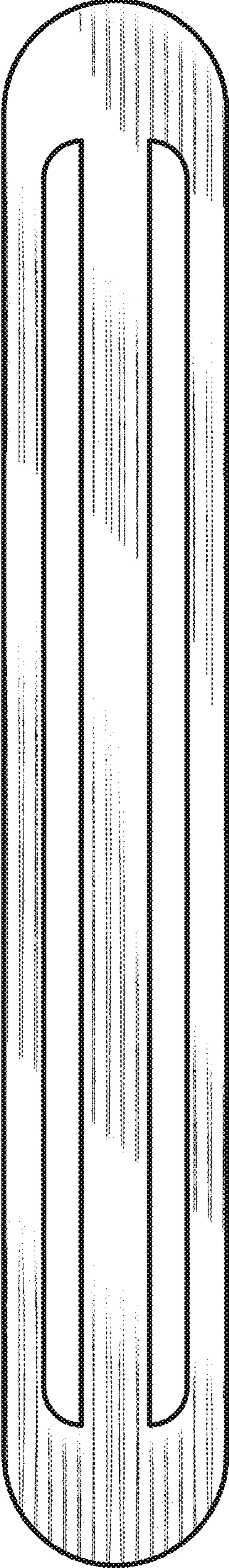


Fig. 1

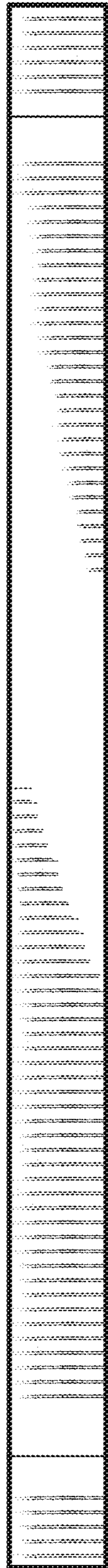


Fig. 2

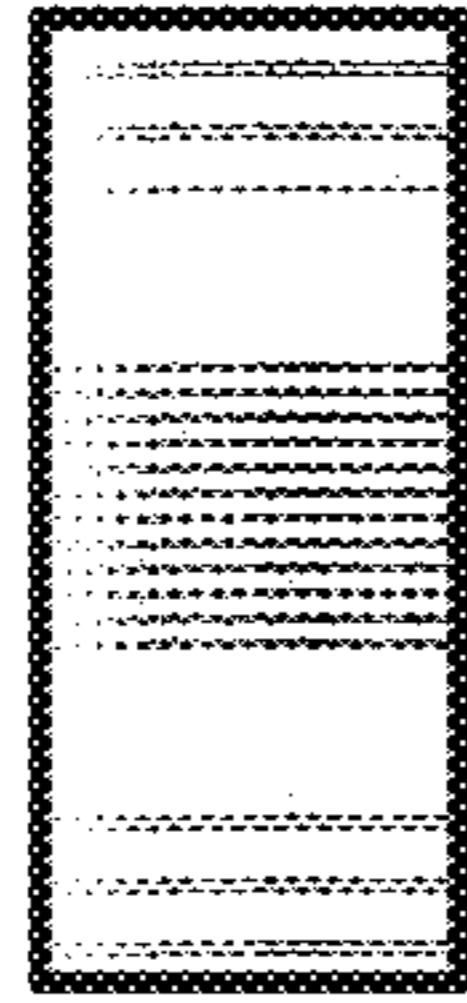


Fig. 3

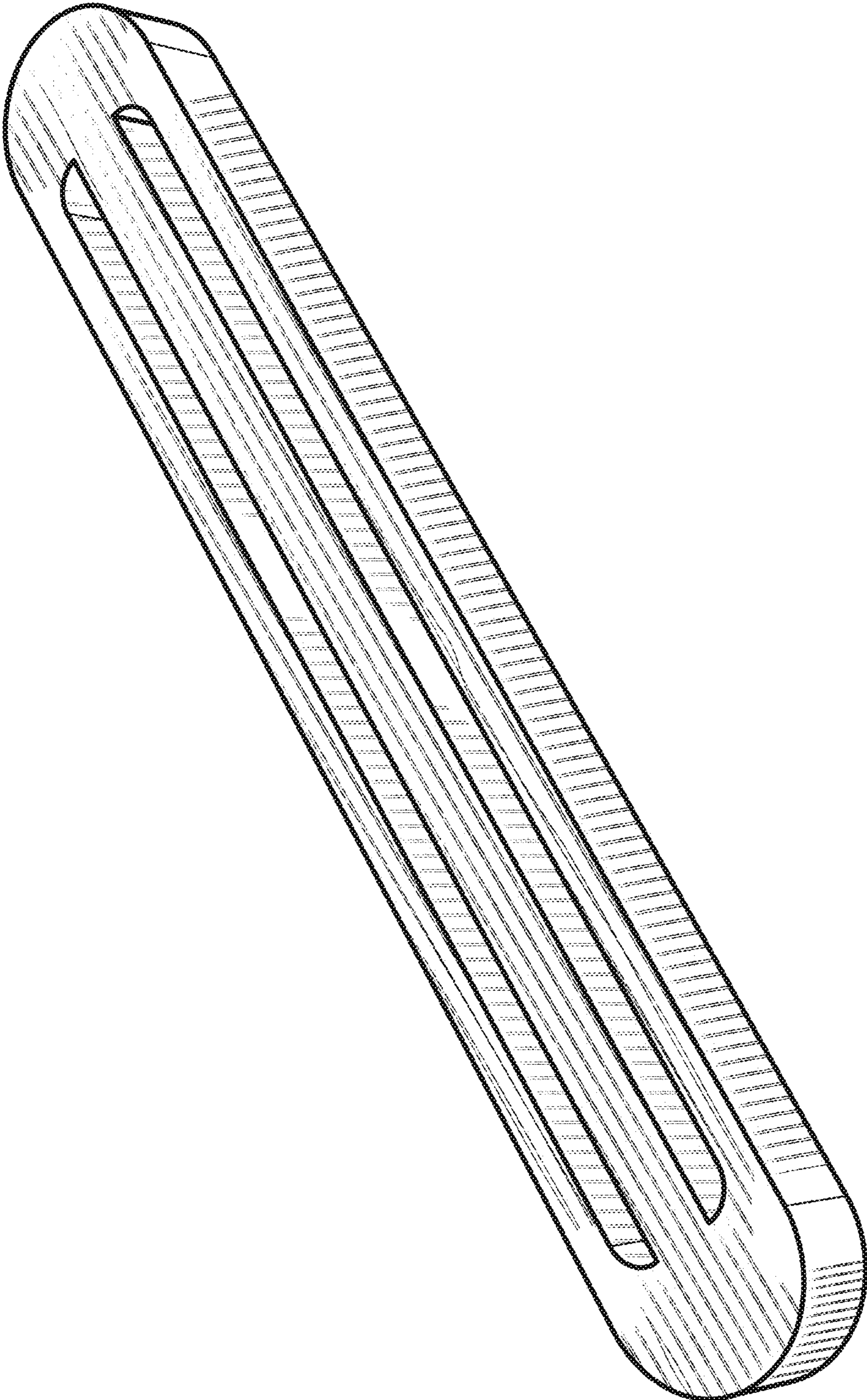


Fig. 4

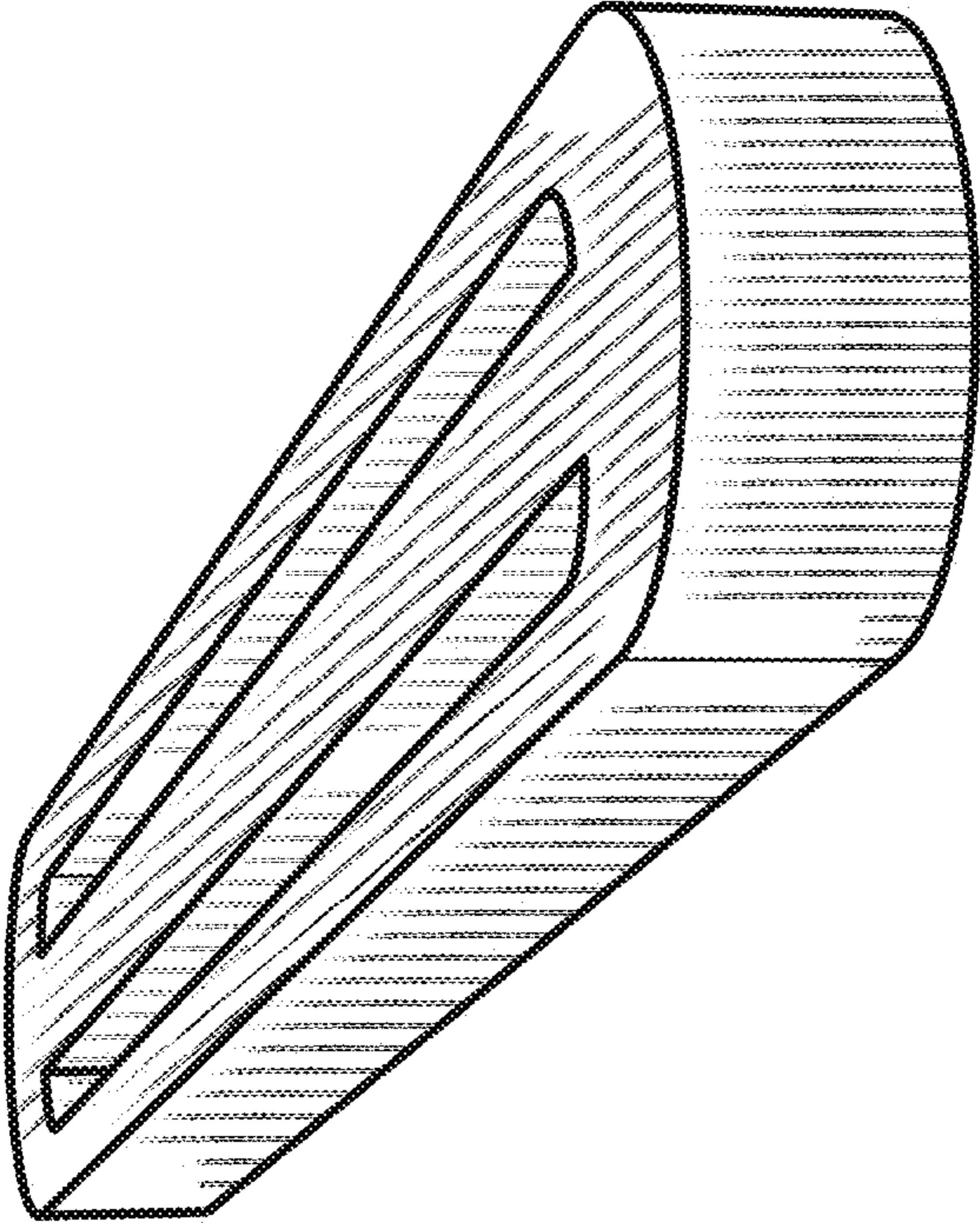


Fig. 5

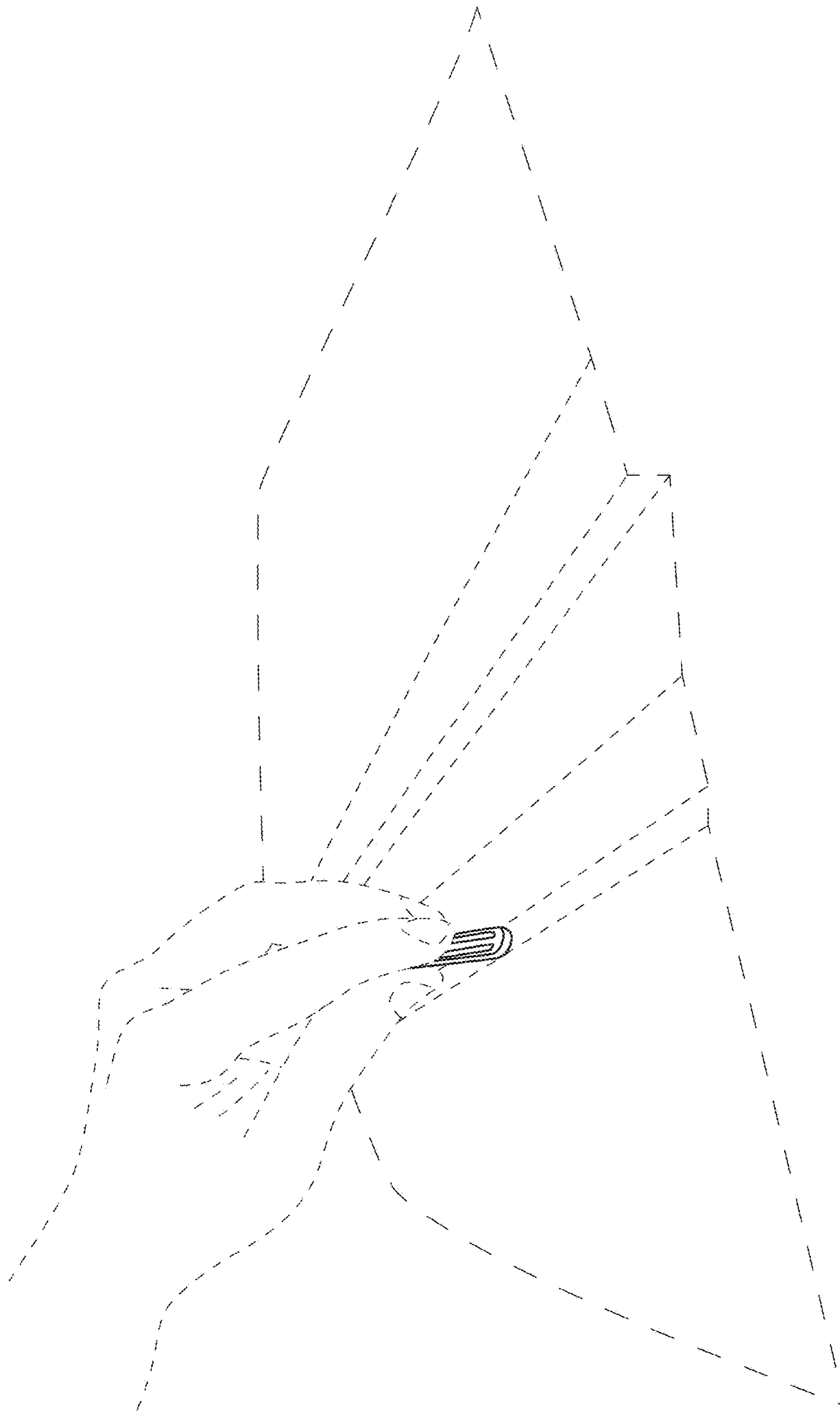


Fig. 6

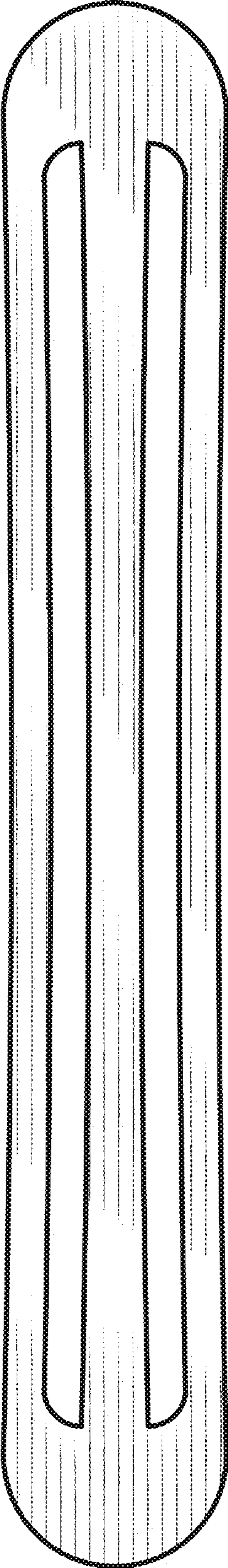


Fig. 7

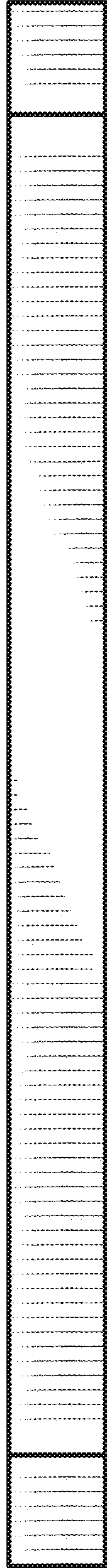


Fig. 8

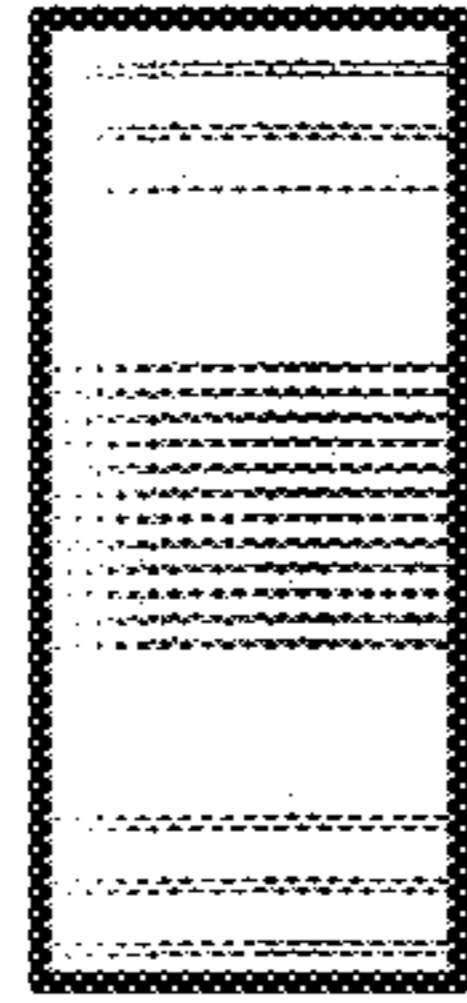


Fig. 9

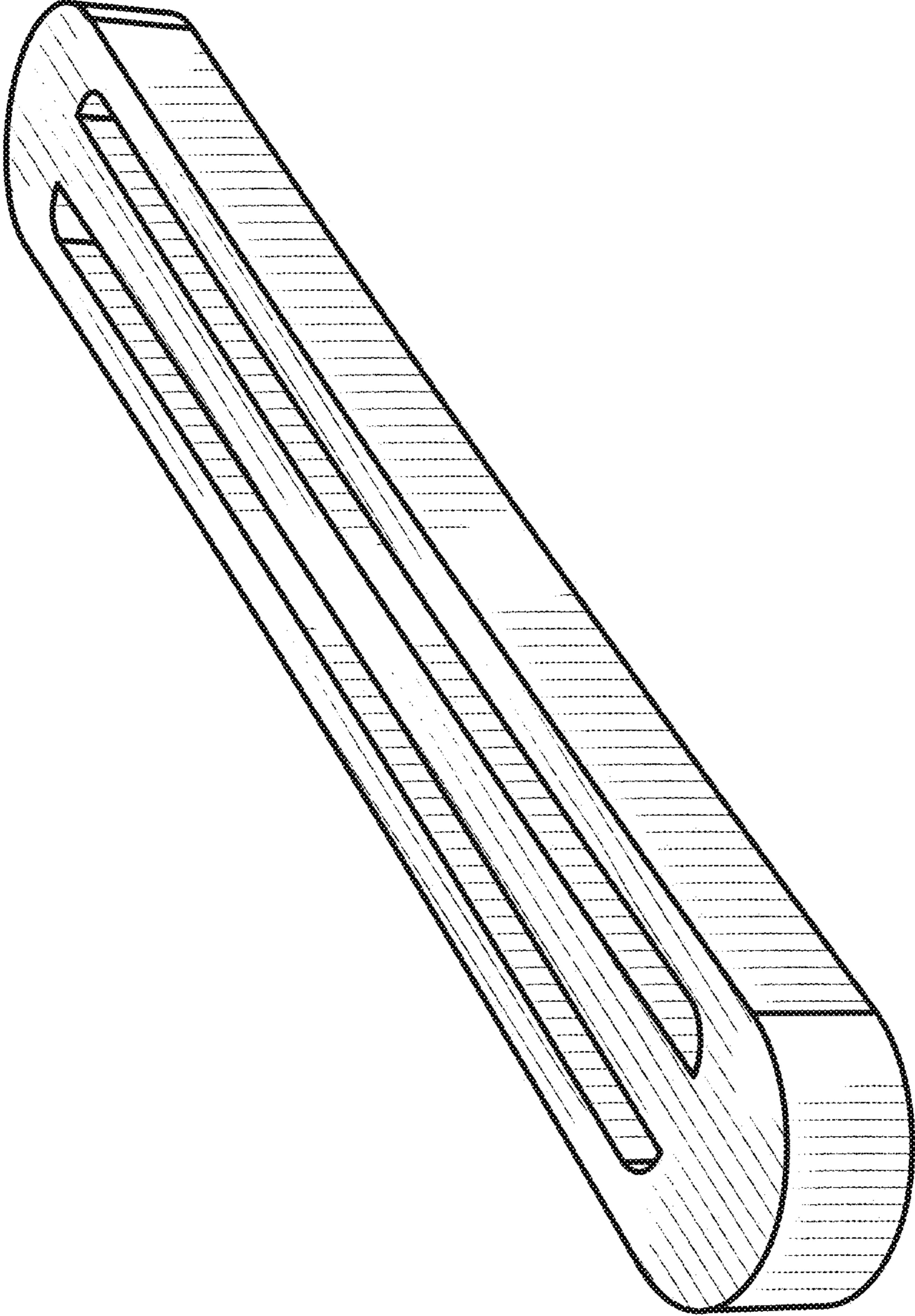


Fig. 10

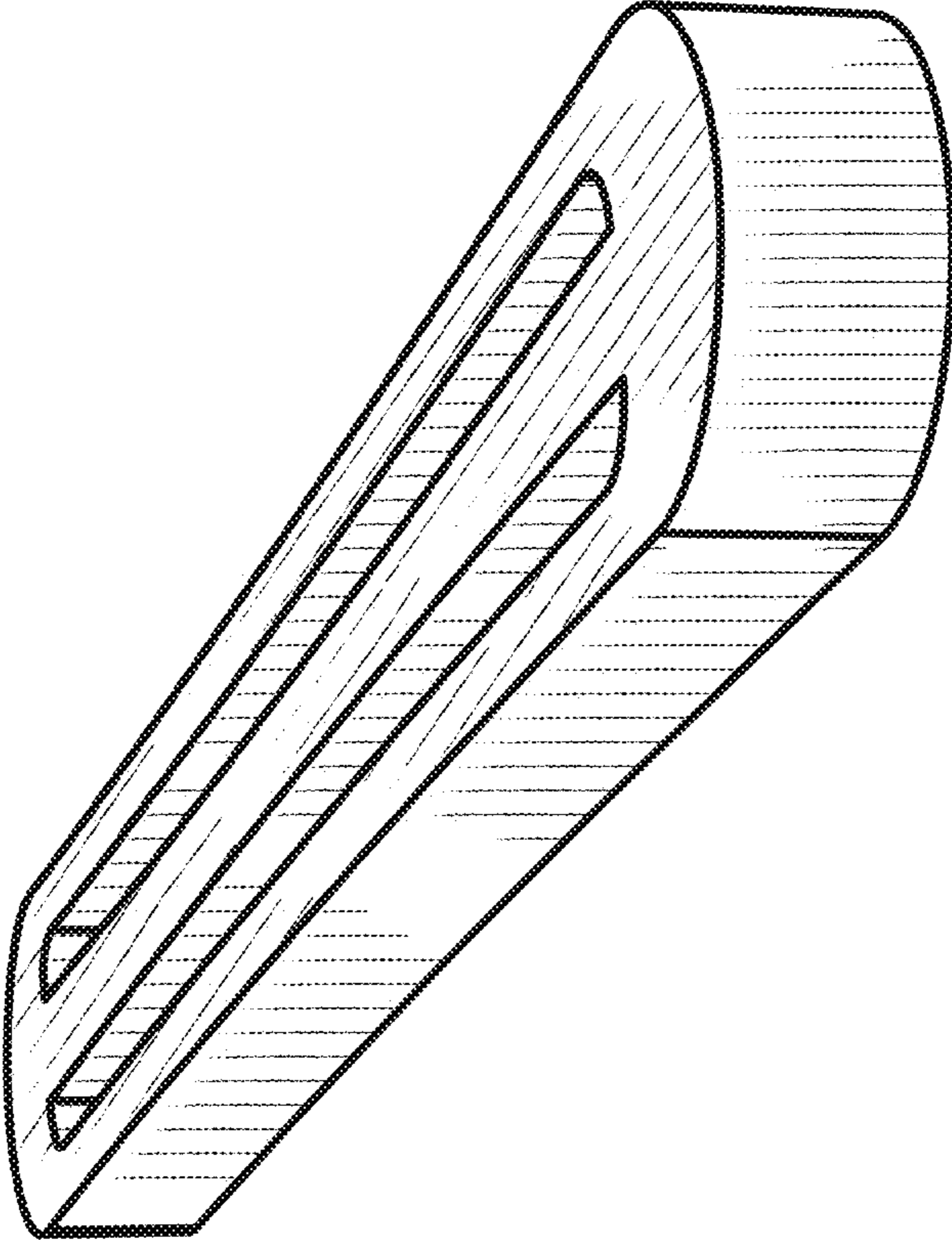


Fig. 11

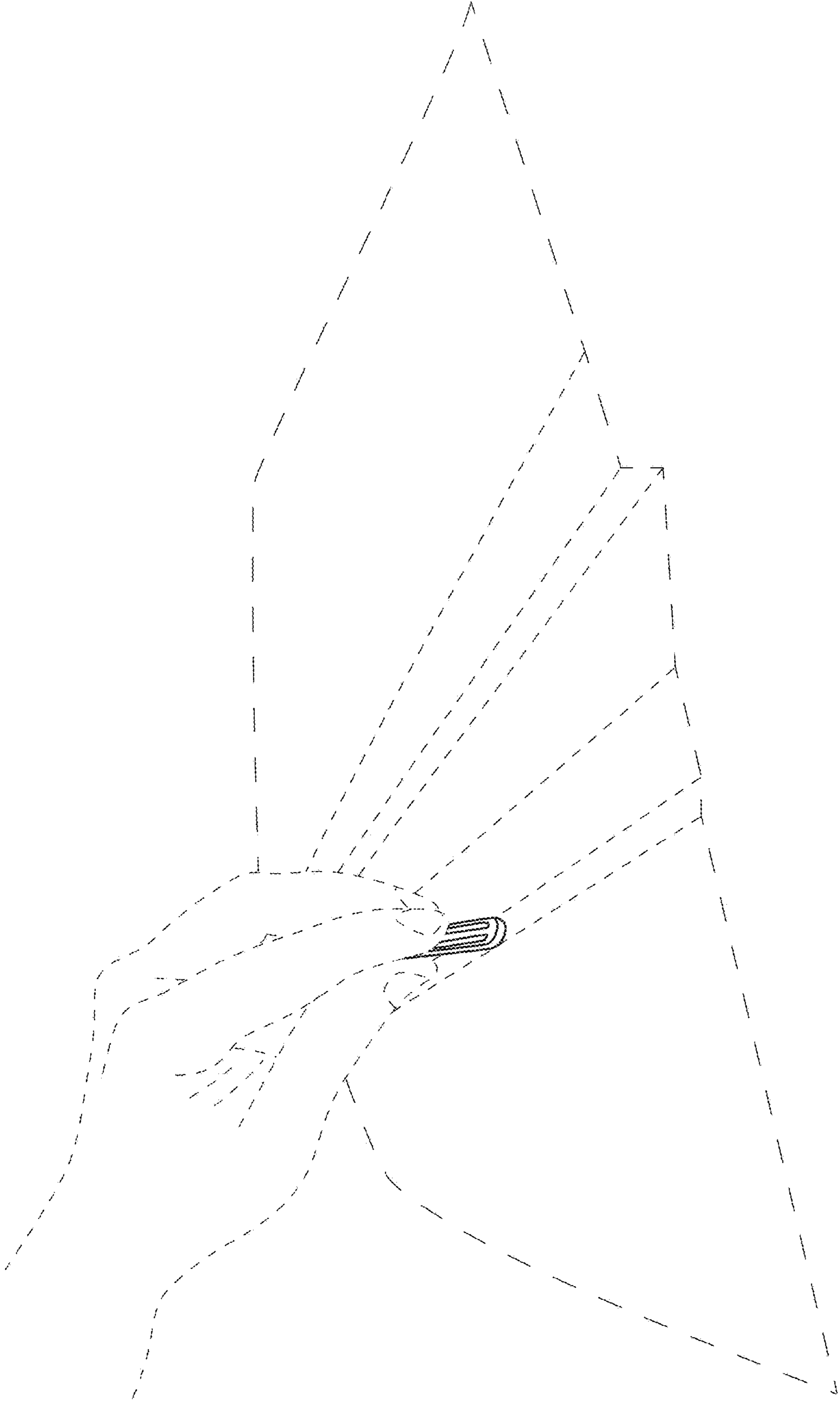


Fig. 12