



US00D913471S

(12) **United States Design Patent**
Walter et al.

(10) **Patent No.:** **US D913,471 S**
(45) **Date of Patent:** **** Mar. 16, 2021**

(54) **FLEXIBLE CAP FOR AN AROMATIC WAX MELTER**

(71) Applicant: **Bootstrap Brands, Inc.**, Durham, NC (US)

(72) Inventors: **Rachel Walter**, Durham, NC (US);
Michael Laut, Raleigh, NC (US);
Steven Bockmann, Raleigh, NC (US);
Brian Himelright, Raleigh, NC (US)

(73) Assignee: **Bootstrap Brands, Inc.**, Durham, NC (US)

(**) Term: **15 Years**

(21) Appl. No.: **29/666,242**

(22) Filed: **Oct. 11, 2018**

Related U.S. Application Data

(62) Division of application No. 29/608,337, filed on Jun. 21, 2017, now Pat. No. Des. 834,694.

(51) **LOC (13) Cl.** **23-04**

(52) **U.S. Cl.**
USPC **D23/366**

(58) **Field of Classification Search**
USPC D23/355, 356, 358, 359, 360, 364, 366;
D7/316, 505; D9/435, 444, 504, 519,
D9/529, 686; D11/131.1; D28/89;
D99/5; D30/129
CPC . A61L 9/03; A61L 9/012; A61L 9/015; A61L
9/037; F41J 1/01
See application file for complete search history.

(56) **References Cited**

U.S. PATENT DOCUMENTS

D281,581 S * 12/1985 MacEwen D9/435
D364,677 S 11/1995 Cheng
D373,183 S * 8/1996 Beyer D23/355
D416,445 S * 11/1999 Henry D7/354

6,354,710 B1 3/2002 Nacouzi
7,315,691 B1 1/2008 Palkie et al.
D583,452 S 12/2008 Aloe et al.
D591,590 S * 5/2009 Wilson D9/428
8,201,957 B2 6/2012 Hsiao
D677,162 S * 3/2013 Sharma D7/392.1

(Continued)

OTHER PUBLICATIONS

Happy Wax Silicone Wax Melt Dish [Jun. 17, 2020] found online [Jun. 17, 2020]—<https://happywax.com/collections/wax-warmer-accessories>.*

(Continued)

Primary Examiner — John A Voytek

(74) *Attorney, Agent, or Firm* — Myers Bigel. P.A.

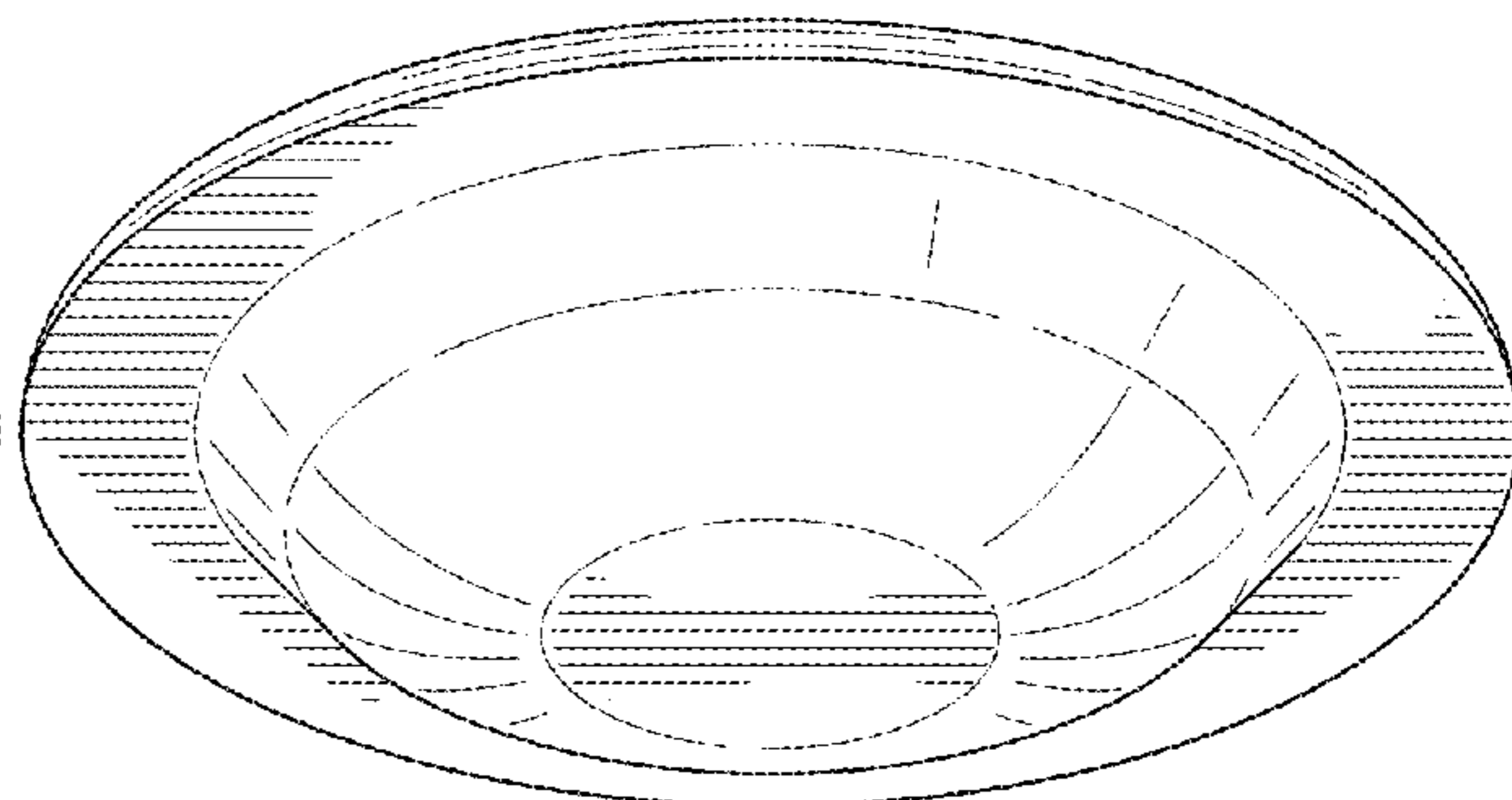
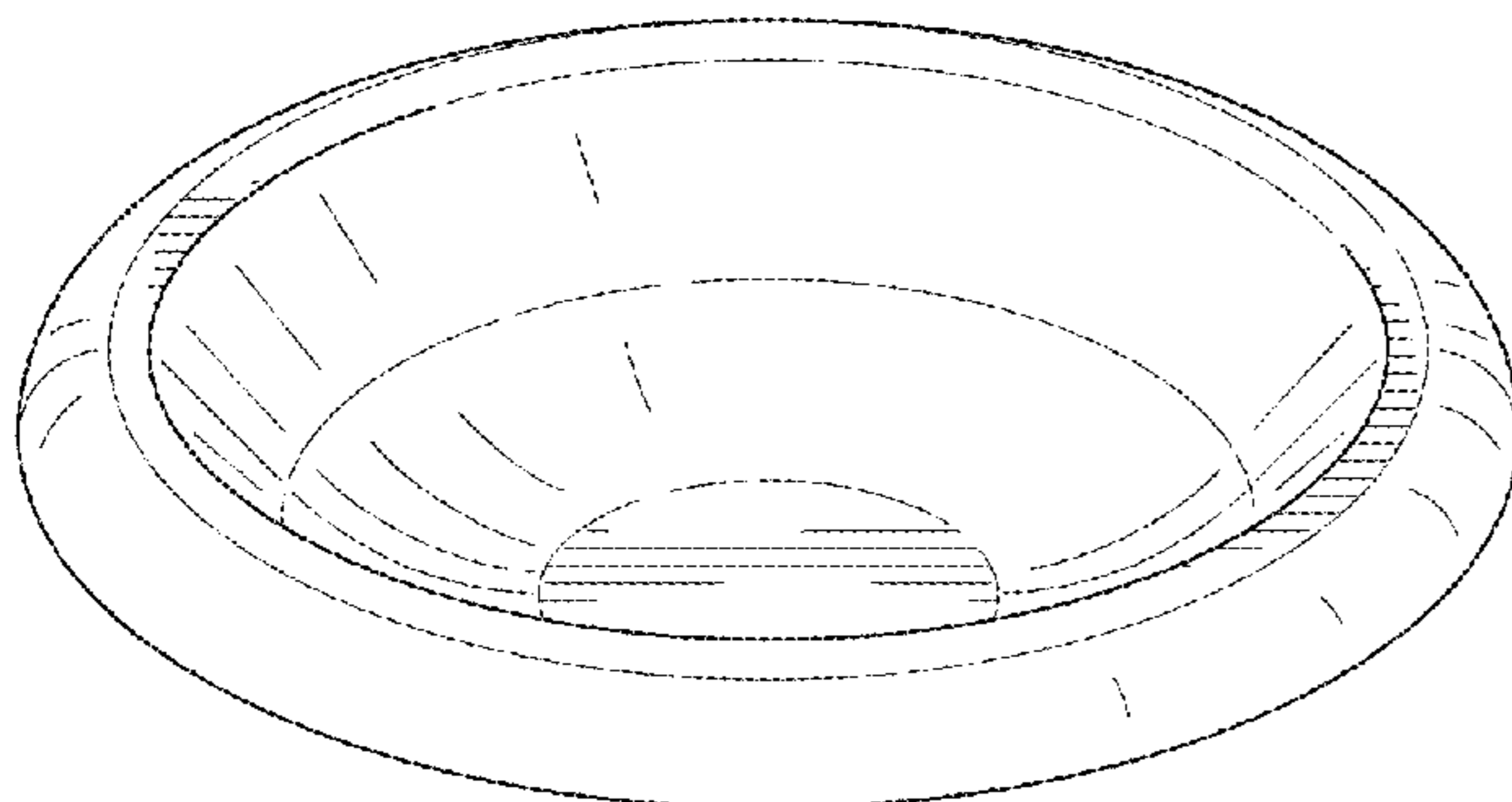
(57) **CLAIM**

The ornamental design for a flexible cap for an aromatic wax melter, as shown and described.

DESCRIPTION

FIG. 1 is a top, side perspective view of a flexible cap for an aromatic wax melter;
FIG. 2 is a bottom perspective view thereof;
FIG. 3 is a first side view thereof;
FIG. 4 is a second and opposing side view thereof;
FIG. 5 is a third side view thereof;
FIG. 6 is a fourth and opposing side view thereof;
FIG. 7 is a top view thereof;
FIG. 8 is a bottom view thereof;
FIG. 9 is an environmental view of the flexible cap for an aromatic wax melter sitting in position on an exemplary aromatic wax melter; and,
FIG. 10 is an exploded environmental view of the flexible cap for an aromatic wax melter.
The broken lines shown in FIGS. 9 and 10 are for environmental purposes only and form no part of the claimed design.

1 Claim, 6 Drawing Sheets



(56)

References Cited

U.S. PATENT DOCUMENTS

8,772,675 B2 7/2014 Juarez
D716,427 S 10/2014 Lim et al.
D717,651 S * 11/2014 Marina D9/454
8,901,461 B1 12/2014 Shotey et al.
D735,255 S * 7/2015 Sickinger D15/144.2
9,125,396 B1 9/2015 Ripka
D749,359 S * 2/2016 Couloures D7/407
D752,732 S 3/2016 Ansley et al.
D788,897 S 6/2017 Lee
D804,002 S 11/2017 Huang
D806,843 S 1/2018 McDonnell
D810,265 S 2/2018 Chen
D846,010 S * 4/2019 Wang D15/144.2
D871,157 S * 12/2019 Redjal D7/584
D874,631 S * 2/2020 Lee D23/366
2010/0270943 A1 10/2010 Cook
2018/0070698 A1 * 3/2018 Bartlett H05B 1/0227

OTHER PUBLICATIONS

Happy Wax Melt Warmer found online Mar. 13, 2018—<https://happywax.com/collections/wax-warmers/products/happywax-signature-scented-wax-warmer-grey-linen-pattern>.

* cited by examiner

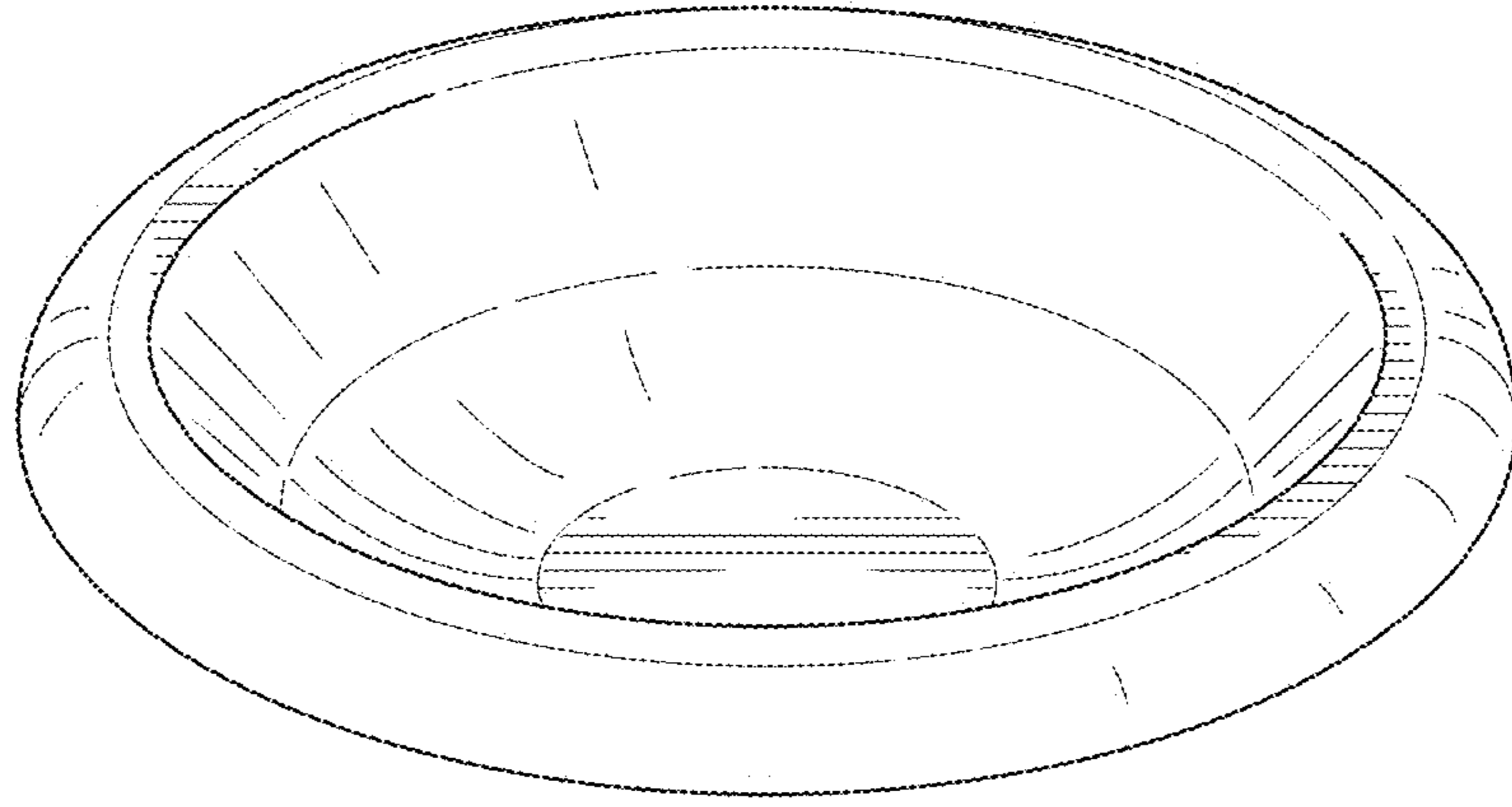


FIG. 1

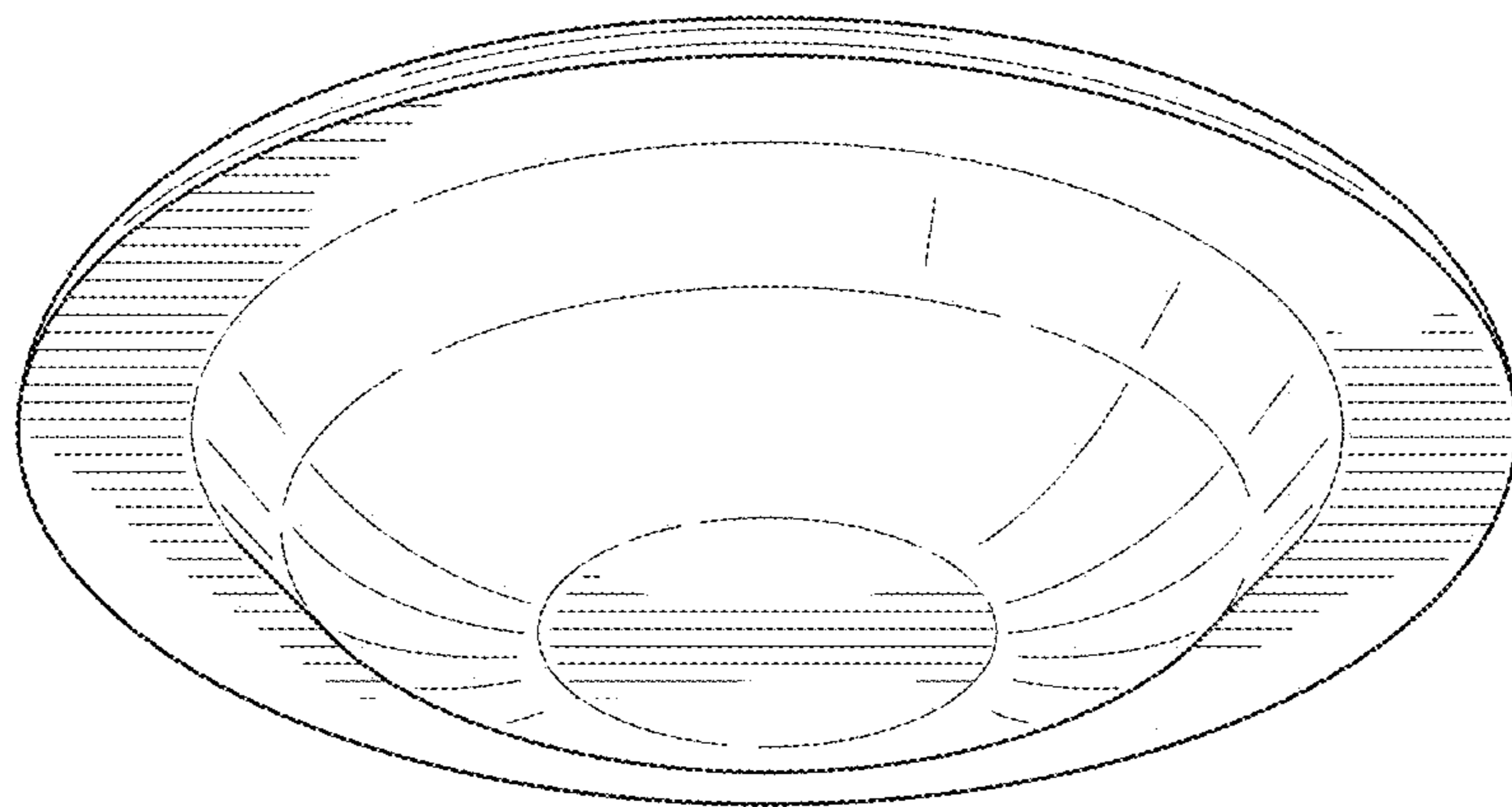


FIG. 2

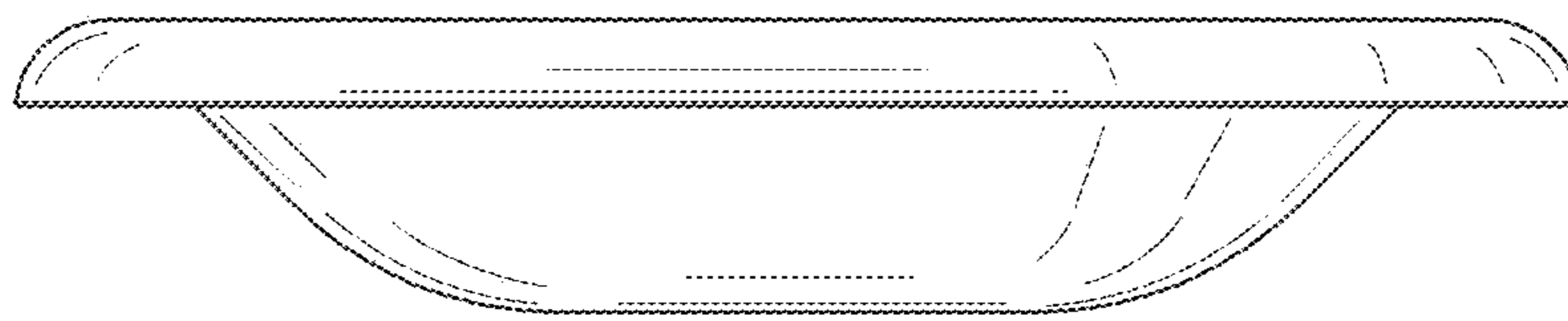


FIG. 3

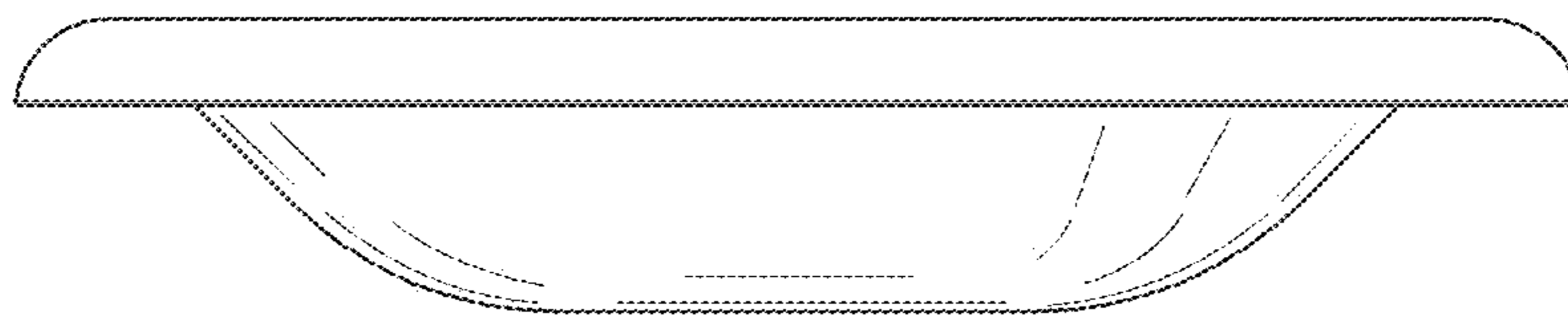


FIG. 4

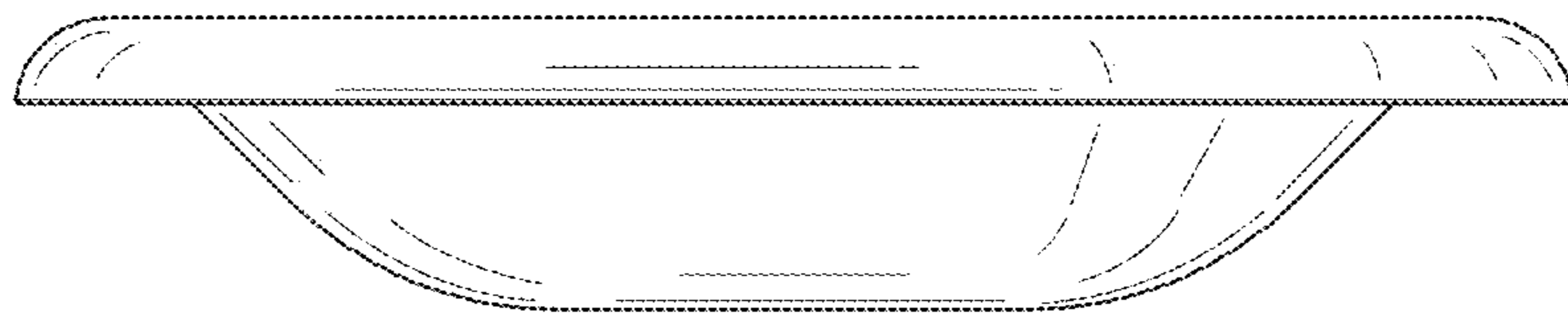


FIG. 5

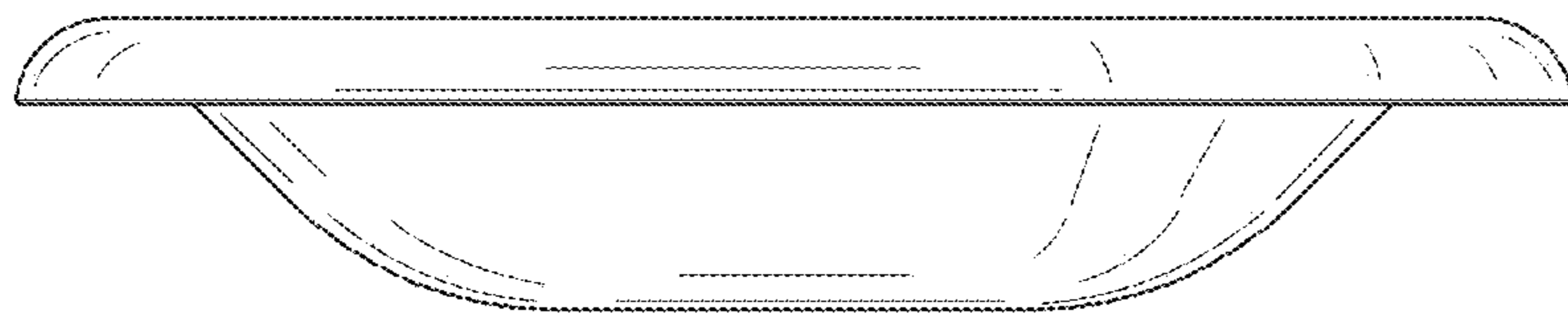


FIG. 6

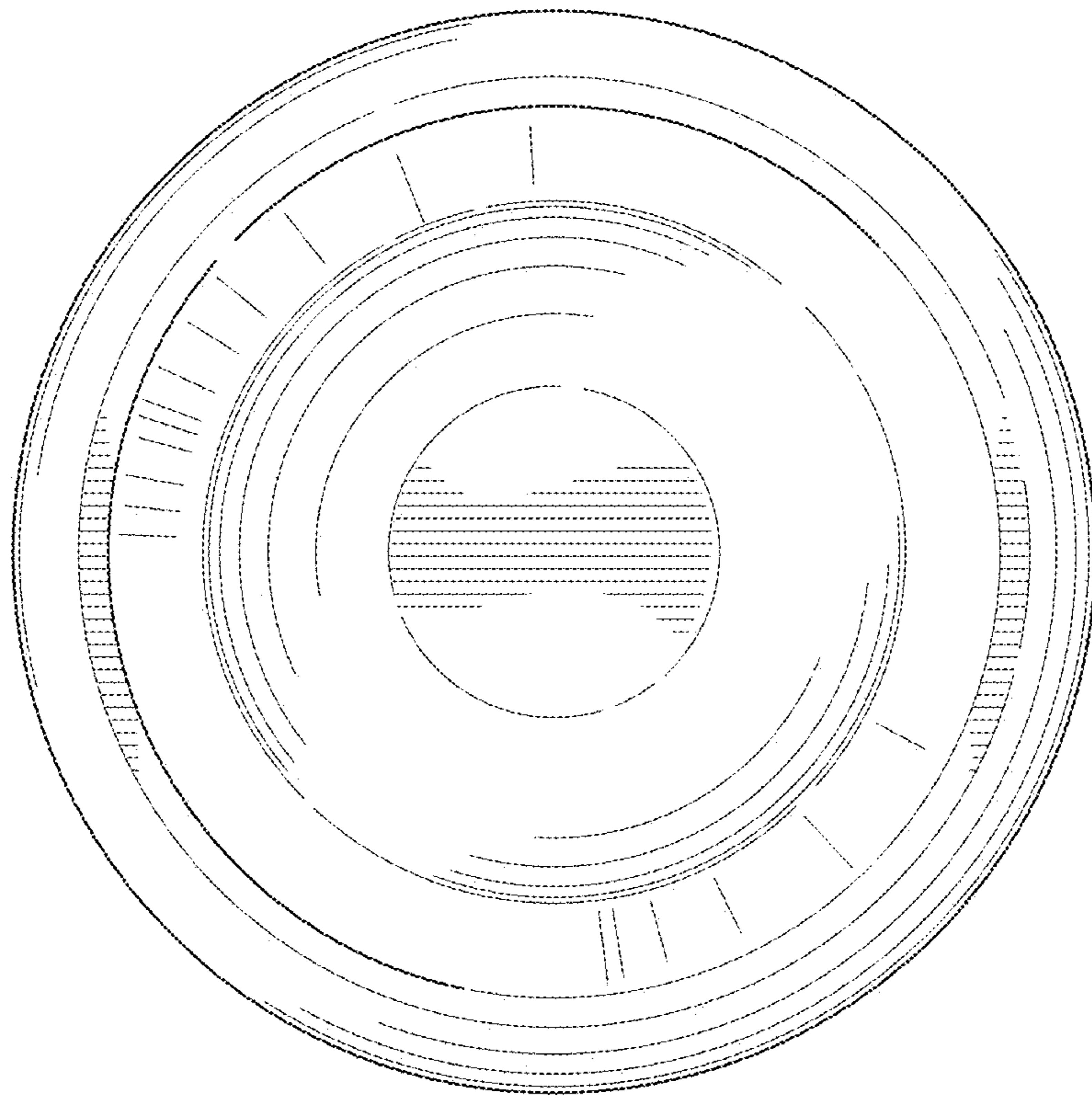


FIG. 7

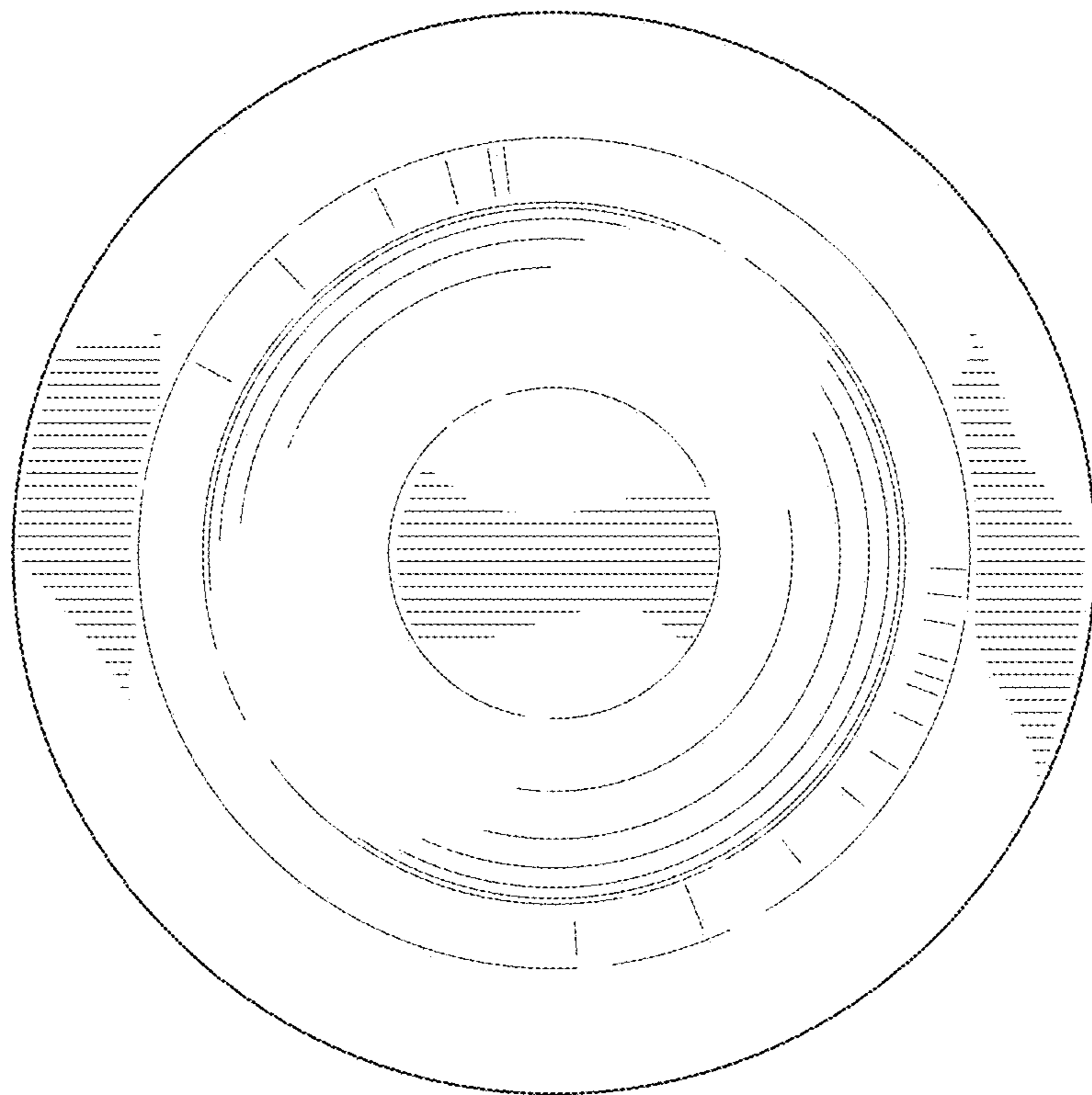


FIG. 8

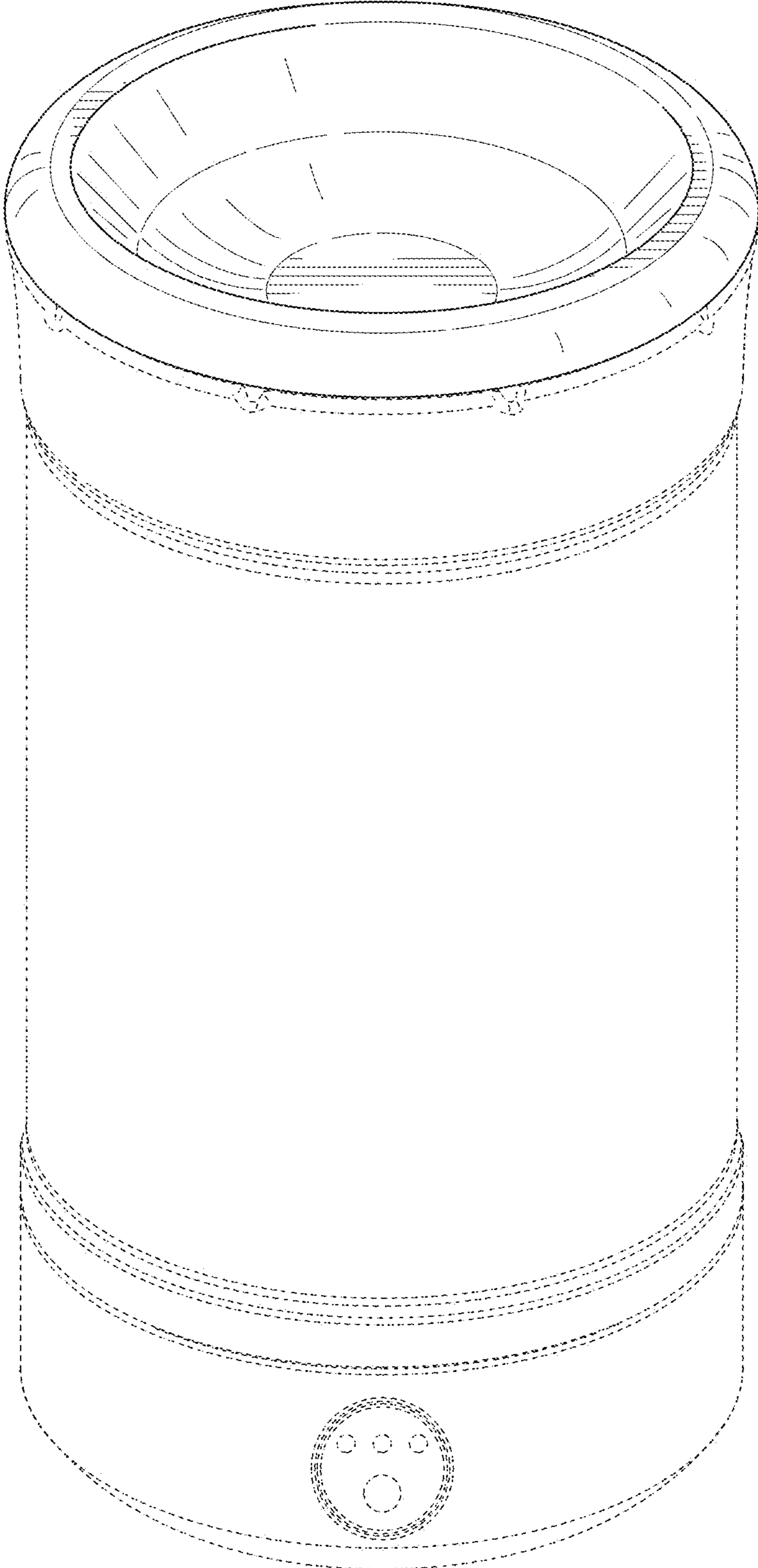


FIG. 9

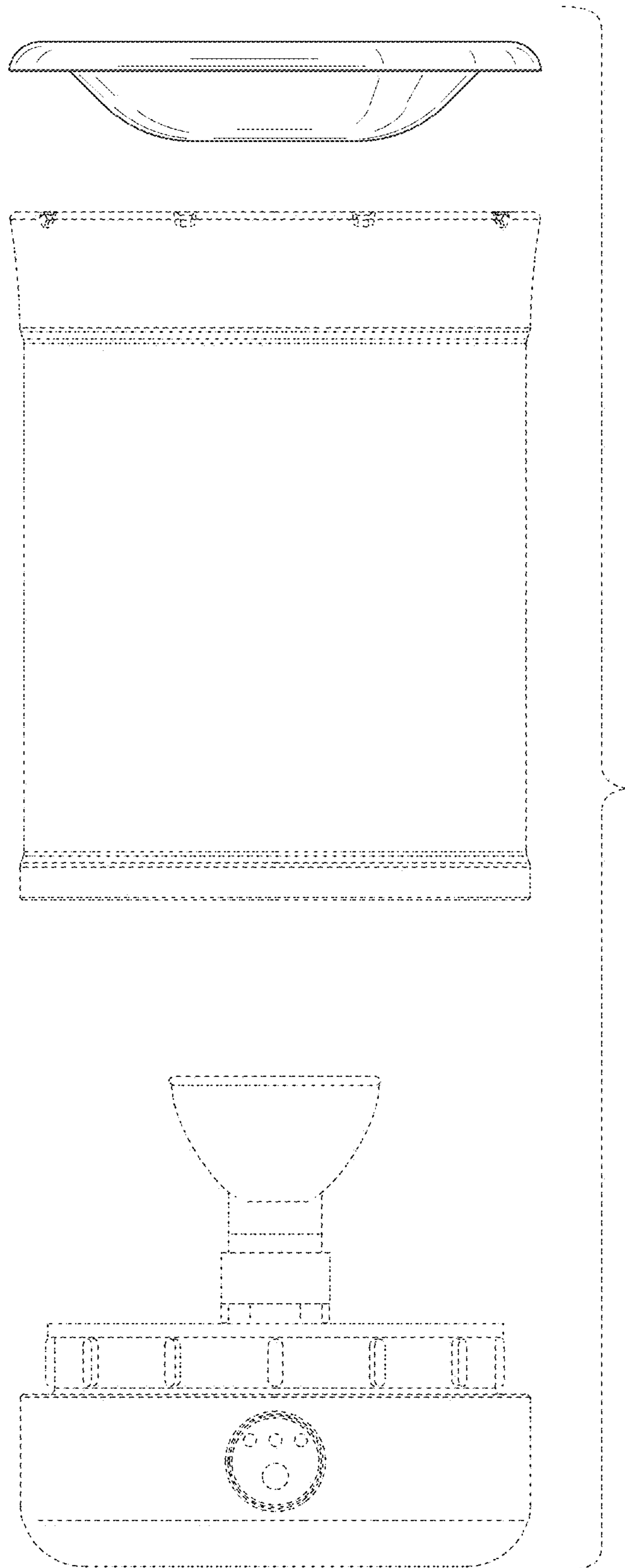


FIG. 10