



US00D913470S

(12) **United States Design Patent**
Kim et al.

(10) **Patent No.:** **US D913,470 S**

(45) **Date of Patent:** **** Mar. 16, 2021**

(54) **CAR AIR FRESHENER**

(71) Applicant: **SPIGEN KOREA CO., LTD.**, Seoul (KR)

(72) Inventors: **Ji Hyun Kim**, Seoul (KR); **Bum Joon Lee**, Seoul (KR)

(73) Assignee: **SPIGEN KOREA CO., LTD.**, Seoul (KR)

(**) Term: **15 Years**

(21) Appl. No.: **29/627,262**

(22) Filed: **Nov. 24, 2017**

(51) **LOC (13) Cl.** **28-99**

(52) **U.S. Cl.**
USPC **D23/366**

(58) **Field of Classification Search**
USPC D23/314, 325, 333–336, 355–367,
D23/386–388; D9/434, 439, 444, 445,
D9/447, 452–454; D14/209, 215, 216
CPC . A61L 9/03; A61L 9/012; A61L 9/015; A61L
9/037; F41J 1/01
See application file for complete search history.

(56) **References Cited**

U.S. PATENT DOCUMENTS

D266,107 S *	9/1982	Schimanski	D23/369
D361,265 S *	8/1995	Doxey	D9/435
D512,417 S *	12/2005	Hirakawa	D14/223
D514,095 S *	1/2006	Wilson	D14/223
D575,711 S *	8/2008	Johannsen	D12/192
D585,129 S *	1/2009	Huang	D23/366
D613,388 S *	4/2010	Koenig	D23/366
D619,694 S *	7/2010	Hami	D23/366
D642,163 S *	7/2011	Lee	D14/223
D710,984 S *	8/2014	Hsiao	D23/366
D732,652 S *	6/2015	Furner	D23/366
D743,382 S *	11/2015	Katori	D14/228
D757,545 S *	5/2016	King	D9/453
D766,844 S *	9/2016	Turksu	D10/104.1

D791,426 S *	7/2017	Petersen	D1/127
D803,377 S *	11/2017	Gobber	D23/366
D806,685 S *	1/2018	Park	D14/223
D811,462 S *	2/2018	Axelsson	D16/203
D817,760 S *	5/2018	Petrosino	D9/452
D830,530 S *	10/2018	Webster	D23/366
D837,863 S *	1/2019	Persson	D16/203

(Continued)

FOREIGN PATENT DOCUMENTS

KR 30-0896839 S 3/2017

OTHER PUBLICATIONS

Wooden Aromatherapy Essential Oil Diffuser Car Vent Clip reference fond online [Dec. 27, 2018]—<https://www.thegreenhead.com/2018/04/wooden-aromatherapy-essential-oil-diffuser-car-vent-clip.php>.*

(Continued)

Primary Examiner — John A Voytek

(74) *Attorney, Agent, or Firm* — Heedong Chae; Lucem, PC

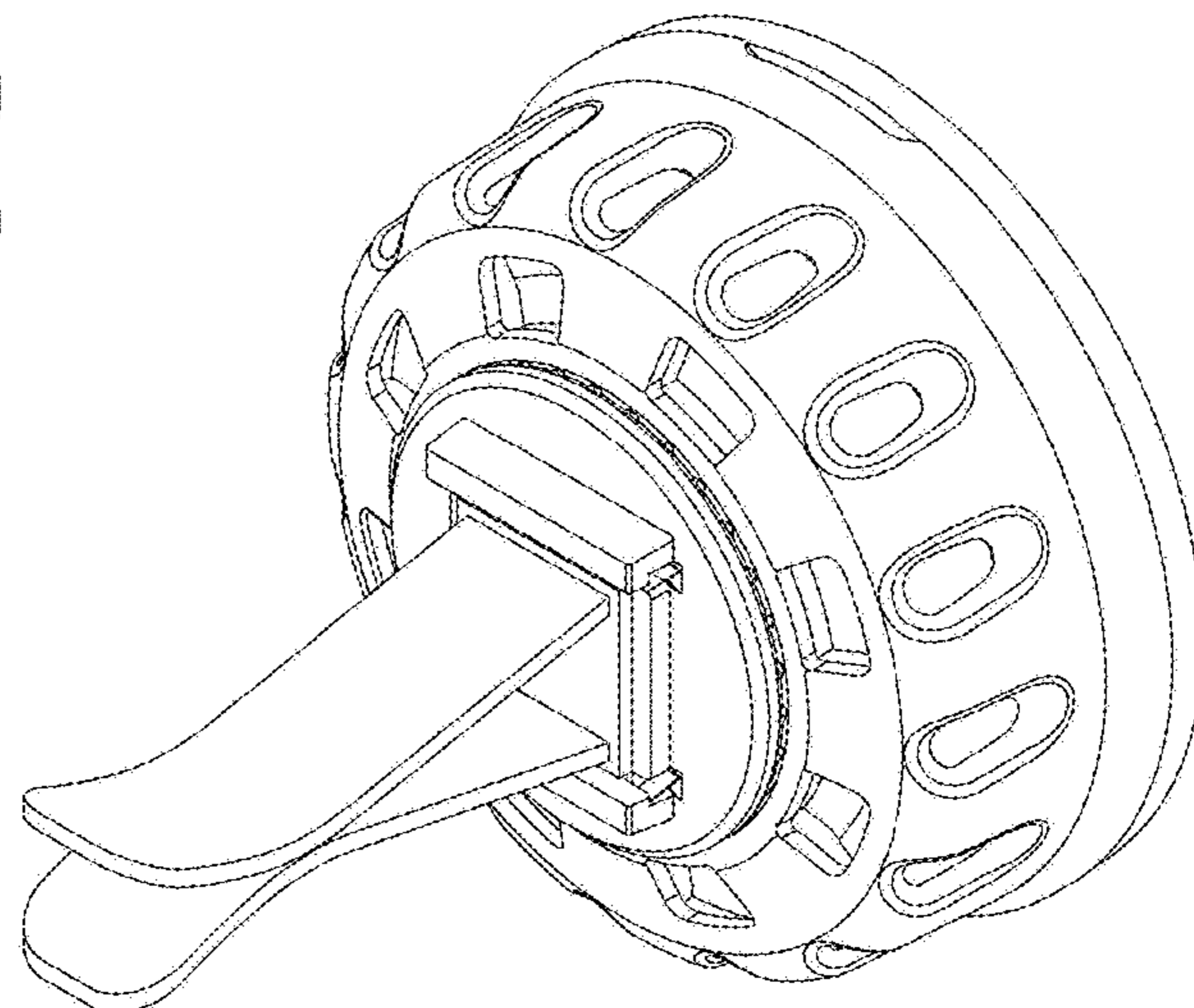
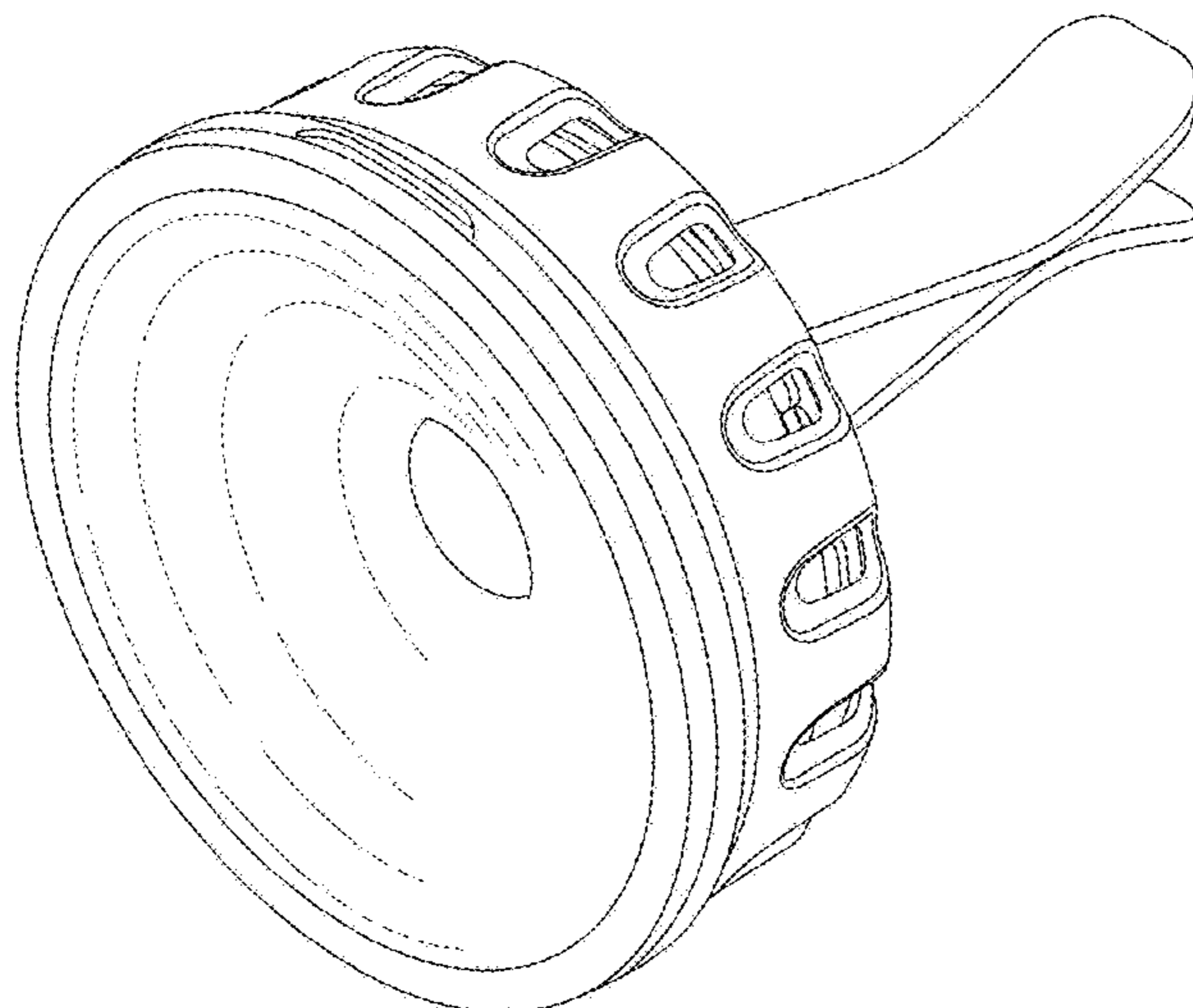
(57) **CLAIM**

The ornamental design for a car air freshener, as shown and described.

DESCRIPTION

FIG. 1 is a front perspective view of a car air freshener showing our new design;
FIG. 2 is a rear perspective view thereof;
FIG. 3 is a front elevational view thereof;
FIG. 4 is a rear elevational view thereof;
FIG. 5 is a left side elevational view thereof;
FIG. 6 is a right side elevational view thereof;
FIG. 7 is a top plan view thereof; and,
FIG. 8 is a bottom plan view thereof.
In the drawings, the broken lines depict portions of the article that form no part of the claimed design.

1 Claim, 8 Drawing Sheets



(56)

References Cited

U.S. PATENT DOCUMENTS

2008/0073849 A1* 3/2008 Quinn F41J 1/01
273/362
2017/0010074 A1* 1/2017 Nienke F41J 1/01

OTHER PUBLICATIONS

“Air Freshener, Humixx Air Freshener for Car[Nature Series] Vehicle Solid Air Purifier Aroma with 3 Scented bars for Vehicle Bedroom Office Travel (Black)”, <https://www.amazon.com/dp/B075DB7S63>, Earliest review date of Sep. 17, 2017.

“CLEMT Perfume Diffuser DM 1”, http://www.10x10.co.kr/shopping/category_prd.asp?itemid=1441333, Earliest review date of Apr. 11, 2016.

* cited by examiner

FIG. 1

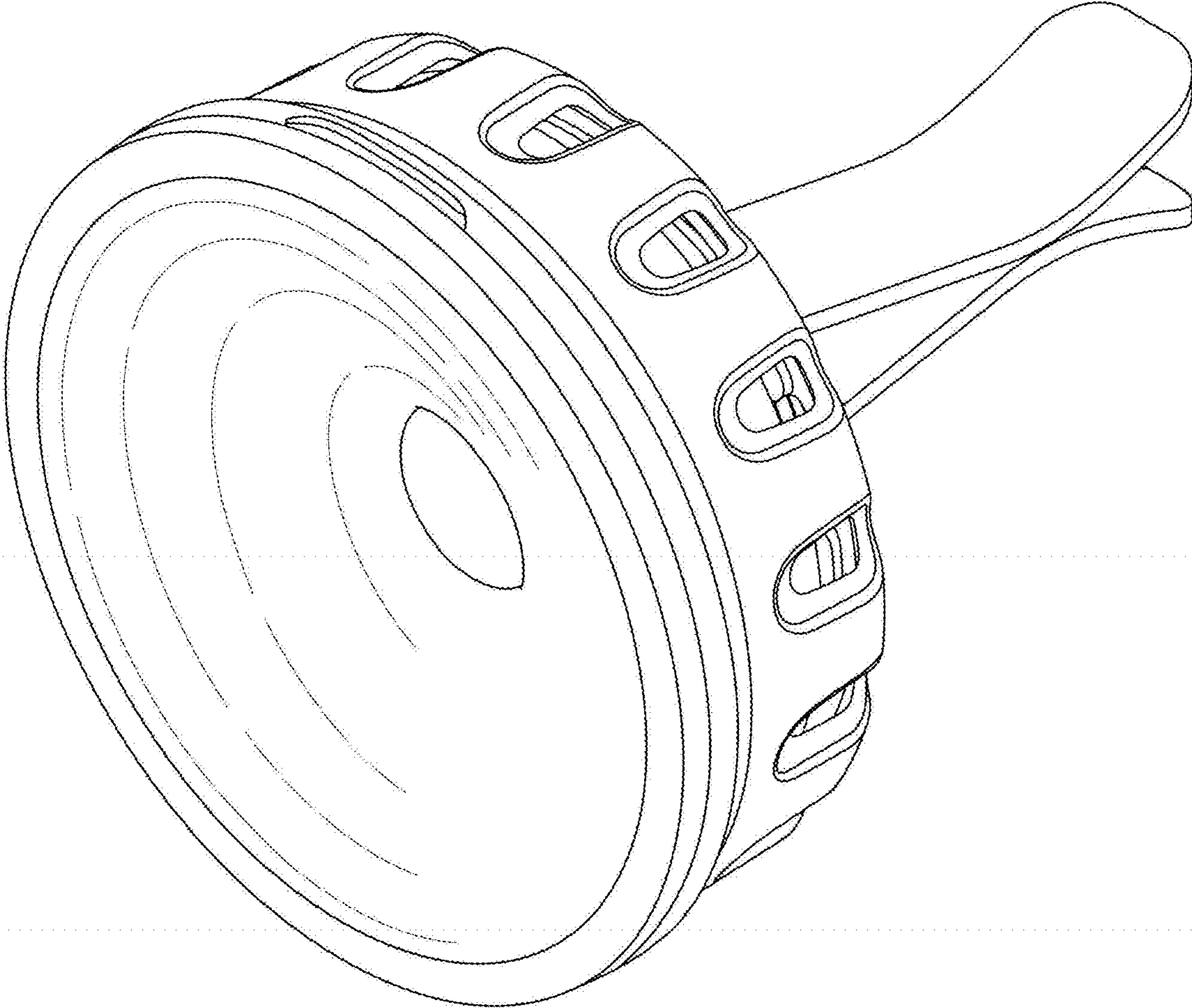


FIG. 2

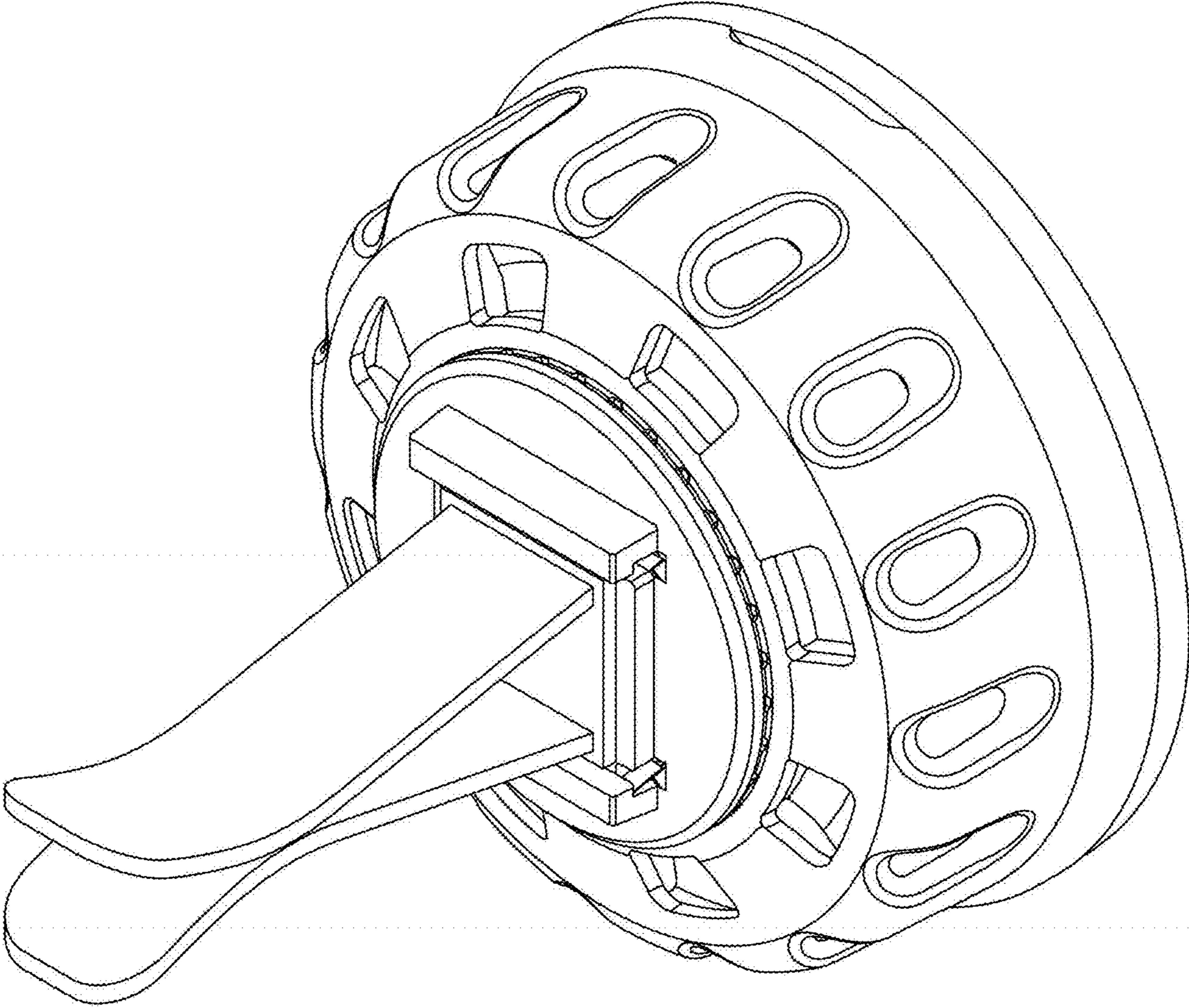


FIG. 3

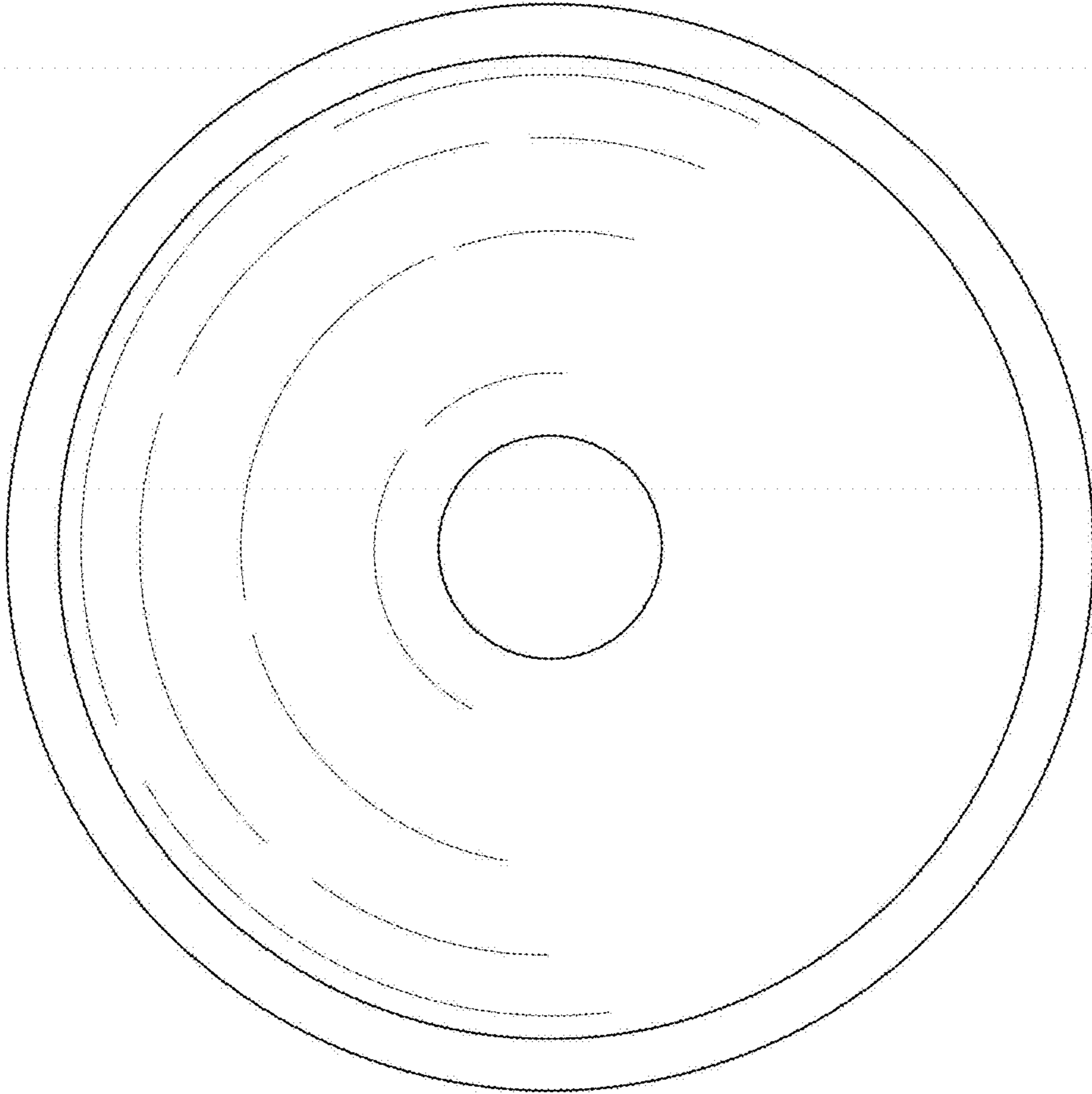


FIG. 4

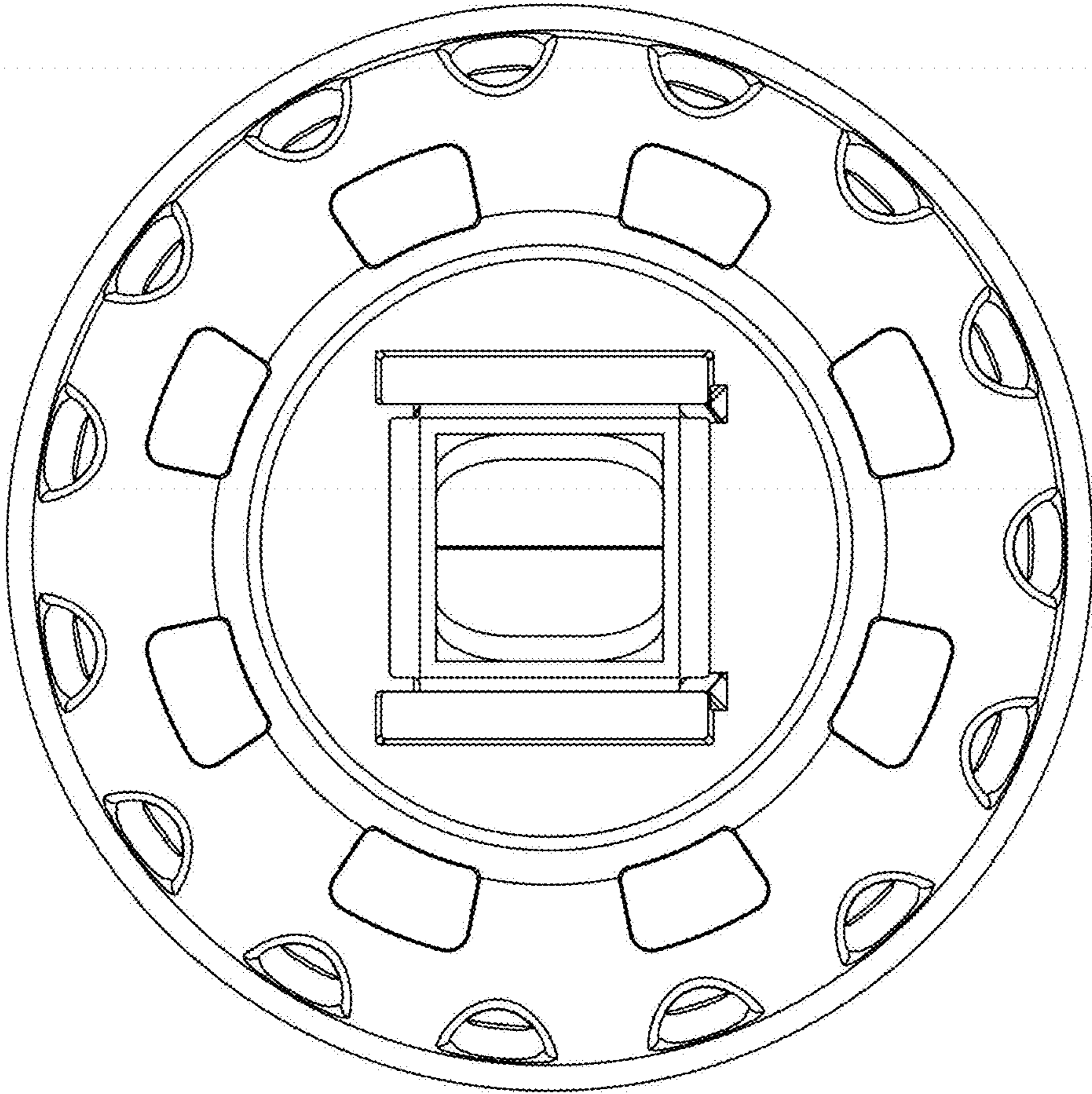


FIG. 5

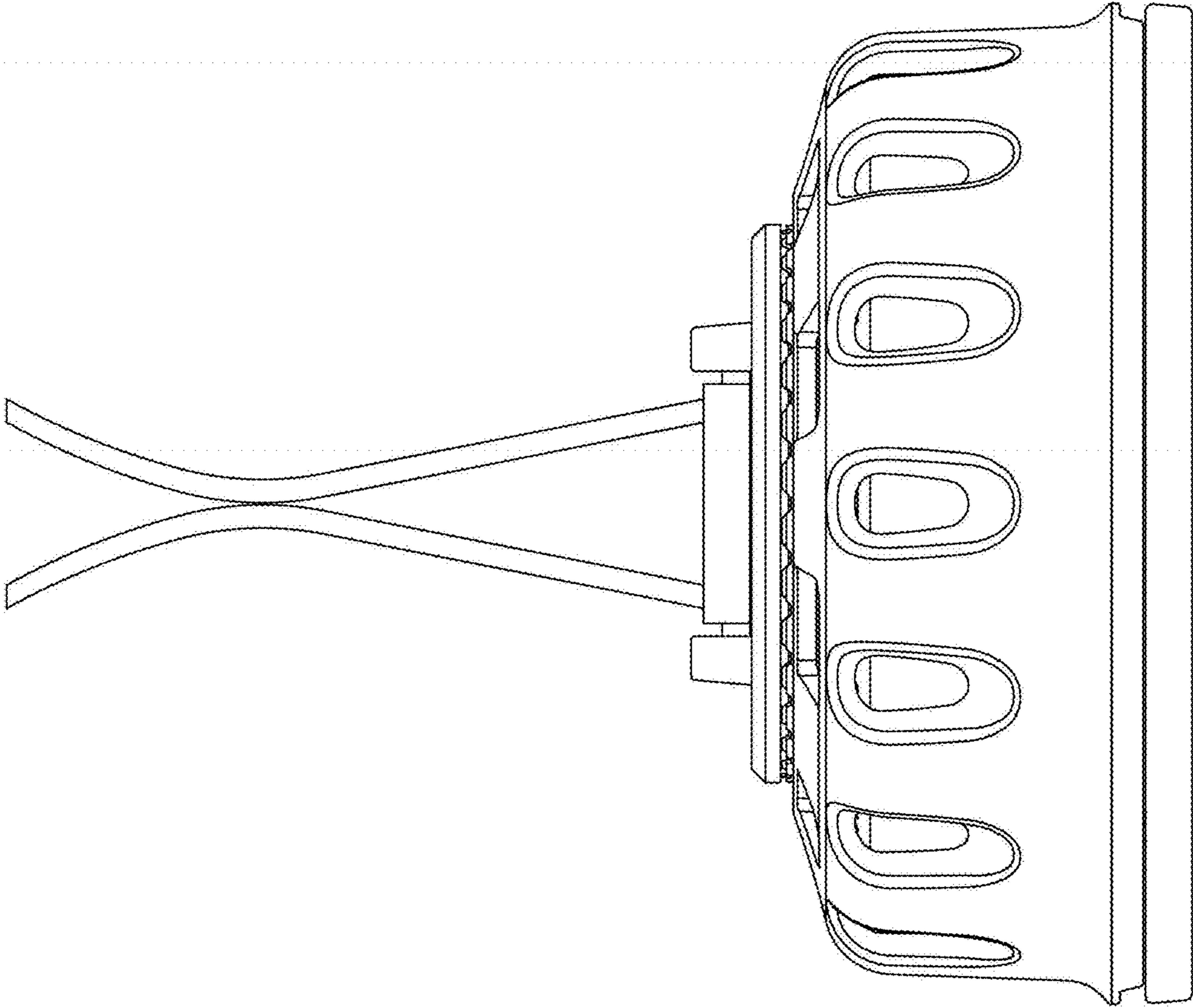


FIG. 6

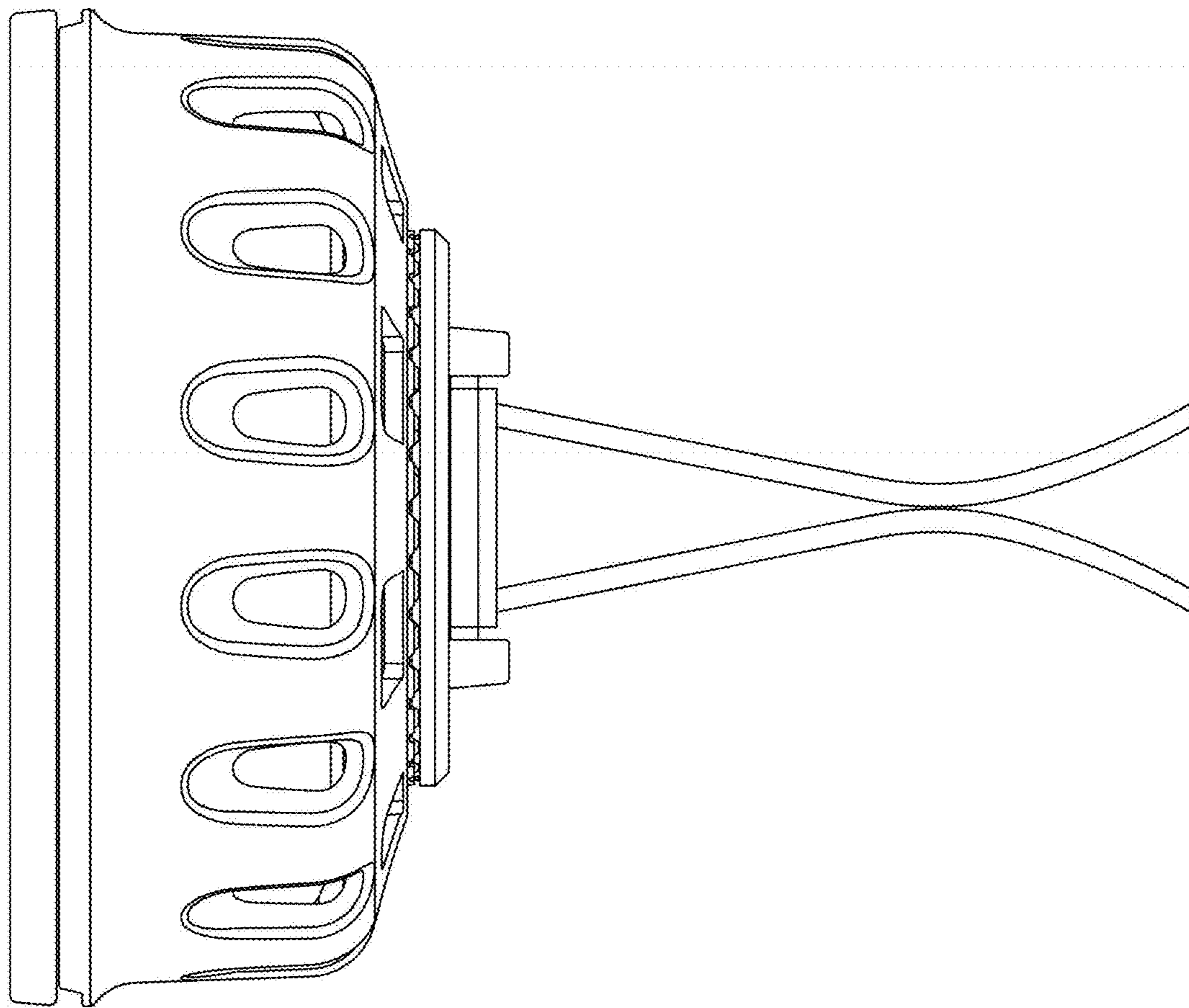


FIG. 7

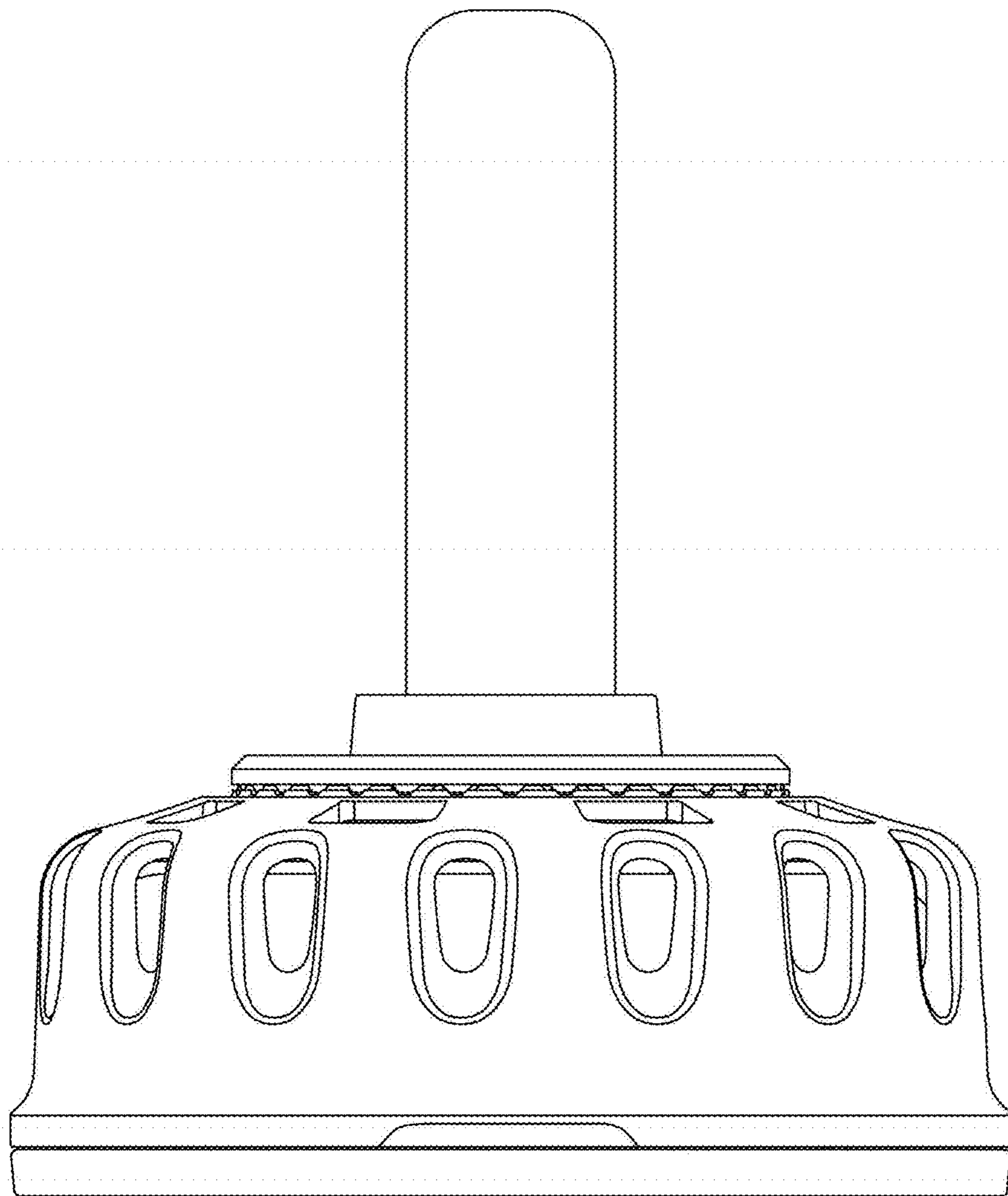


FIG. 8

