



US00D913469S

(12) **United States Design Patent**
Song

(10) **Patent No.:** **US D913,469 S**
(45) **Date of Patent:** **** Mar. 16, 2021**

(54) **AIR FILTER FOR VACUUM CLEANER**

(71) Applicant: **Conet Industries, Inc.**, Incheon (KR)

(72) Inventor: **Sung Wook Song**, Seoul (KR)

(73) Assignee: **Conet Industries, Inc.**, Incheon (KR)

(**) Term: **15 Years**

(21) Appl. No.: **29/642,672**

(22) Filed: **Mar. 30, 2018**

(30) **Foreign Application Priority Data**

Dec. 27, 2017 (KR) 30-2017-0061886

(51) **LOC (13) Cl.** **23-04**

(52) **U.S. Cl.**
USPC **D23/365**

(58) **Field of Classification Search**
USPC D23/209, 235, 341, 358, 363–365;
D15/5; D7/368, 669; D24/122
CPC F02M 35/04; F02M 35/10; F02M 35/024;
B01D 46/0002; B01D 46/10
See application file for complete search history.

(56) **References Cited**

U.S. PATENT DOCUMENTS

- 5,538,050 A * 7/1996 Galdon B65B 67/12
141/10
- D414,587 S * 9/1999 Douglas D34/1
- D491,658 S * 6/2004 Malcic D24/124
- D584,378 S * 1/2009 Wilson D23/207
- D689,370 S * 9/2013 Bower D9/707
- D731,052 S * 6/2015 Doerr D24/121
- D735,849 S * 8/2015 Rudolph D24/122
- D757,372 S * 5/2016 Clinton D30/121
- D760,383 S * 6/2016 Delarosa D24/122
- D770,897 S * 11/2016 Holmes D9/500
- D816,543 S * 5/2018 Henz D11/130
- D834,948 S * 12/2018 Hoffman, Jr. D9/702

- D847,448 S * 4/2019 Twining D34/1
- 2002/0185010 A1* 12/2002 Spiteri A47J 31/08
99/285
- 2008/0053566 A1* 3/2008 England B67C 11/02
141/331

OTHER PUBLICATIONS

Inclema MEC 429 polyester filter 440 conical for vacuum cleaner [Apr. 24, 2020] found online [Apr. 24, 2020]—https://www.inclmashop.com/product/19282282/mec-429-polyester-filter-440-conical-for-vacuum-cleaner-soteco?_=_*

(Continued)

Primary Examiner — John A Voytek

(74) *Attorney, Agent, or Firm* — Wolf, Greenfield & Sacks, P.C.

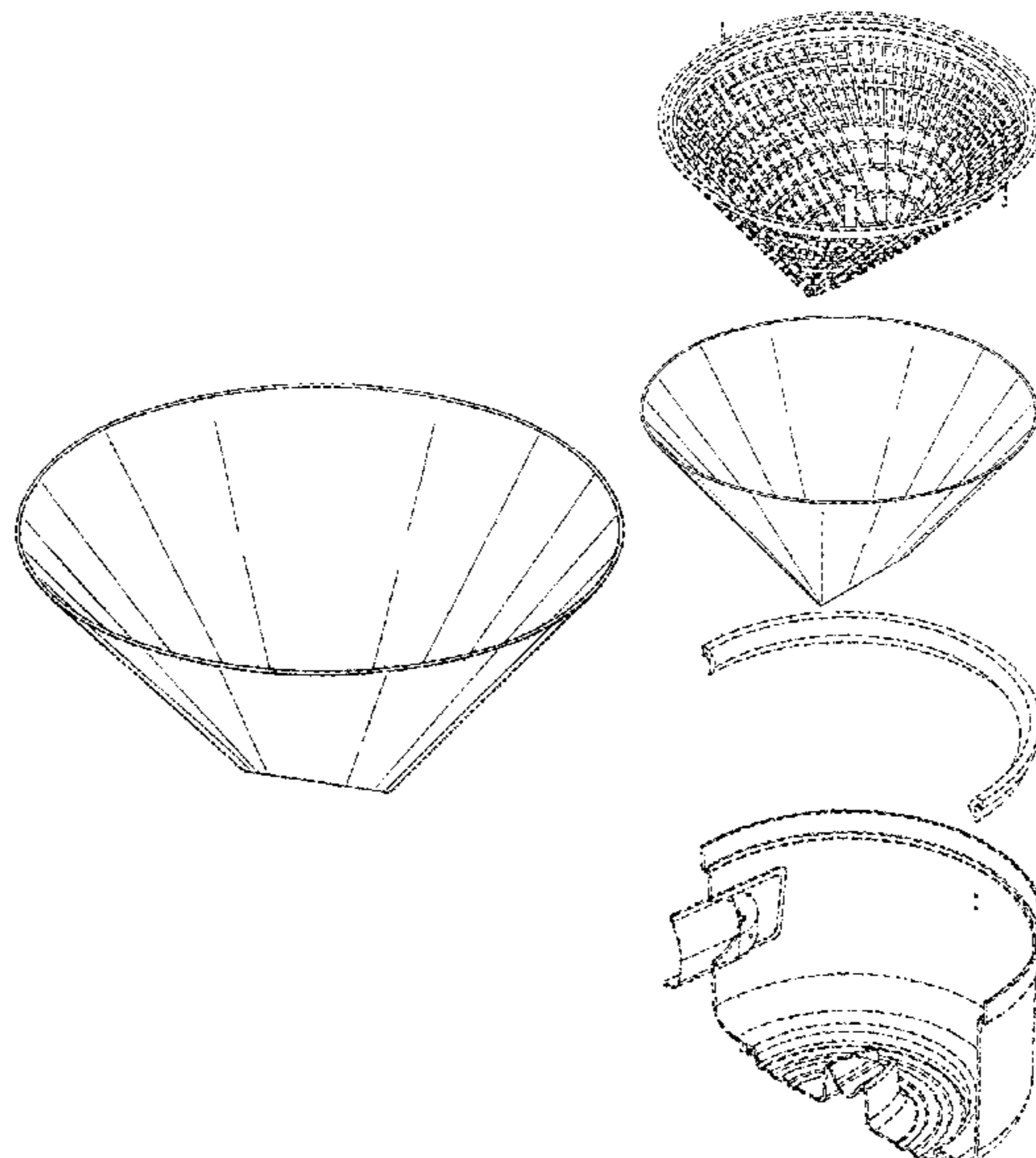
(57) **CLAIM**

The ornamental design for an air filter for vacuum cleaner, as shown and described.

DESCRIPTION

FIG. 1 is a top, front, right side perspective view of an air filter for a vacuum cleaner according to my new design; FIG. 2 is a front elevation view thereof; FIG. 3 is a rear elevation view thereof; FIG. 4 is a left side elevation view thereof; FIG. 5 is a right side elevation view thereof; FIG. 6 is a top plan view thereof; FIG. 7 is a bottom plan view thereof; FIG. 8 is a bottom, front, right side perspective view thereof; and, FIG. 9 is a top, front, left side exploded perspective view showing an environment of the vacuum cleaner air filter. The broken lines illustrate environmental matter and form no part of the claimed design.

1 Claim, 6 Drawing Sheets



(56)

References Cited

OTHER PUBLICATIONS

Large Icing Piping Nozzle Tip reference [Apr. 24, 2020] found online [Apr. 24, 2020]—<https://www.newegg.com/p/0X6-04KT-0JPR0>.*

Melitta USA Launches Coffee Filters With New Measure Markings™ (article) [Jan. 30, 2015] found online [Apr. 24, 2020]—<https://www.businesswire.com/news/home/20150630006018/en/Melitta-USA-Launches-Coffee-Filters-New-Measure>.*

* cited by examiner

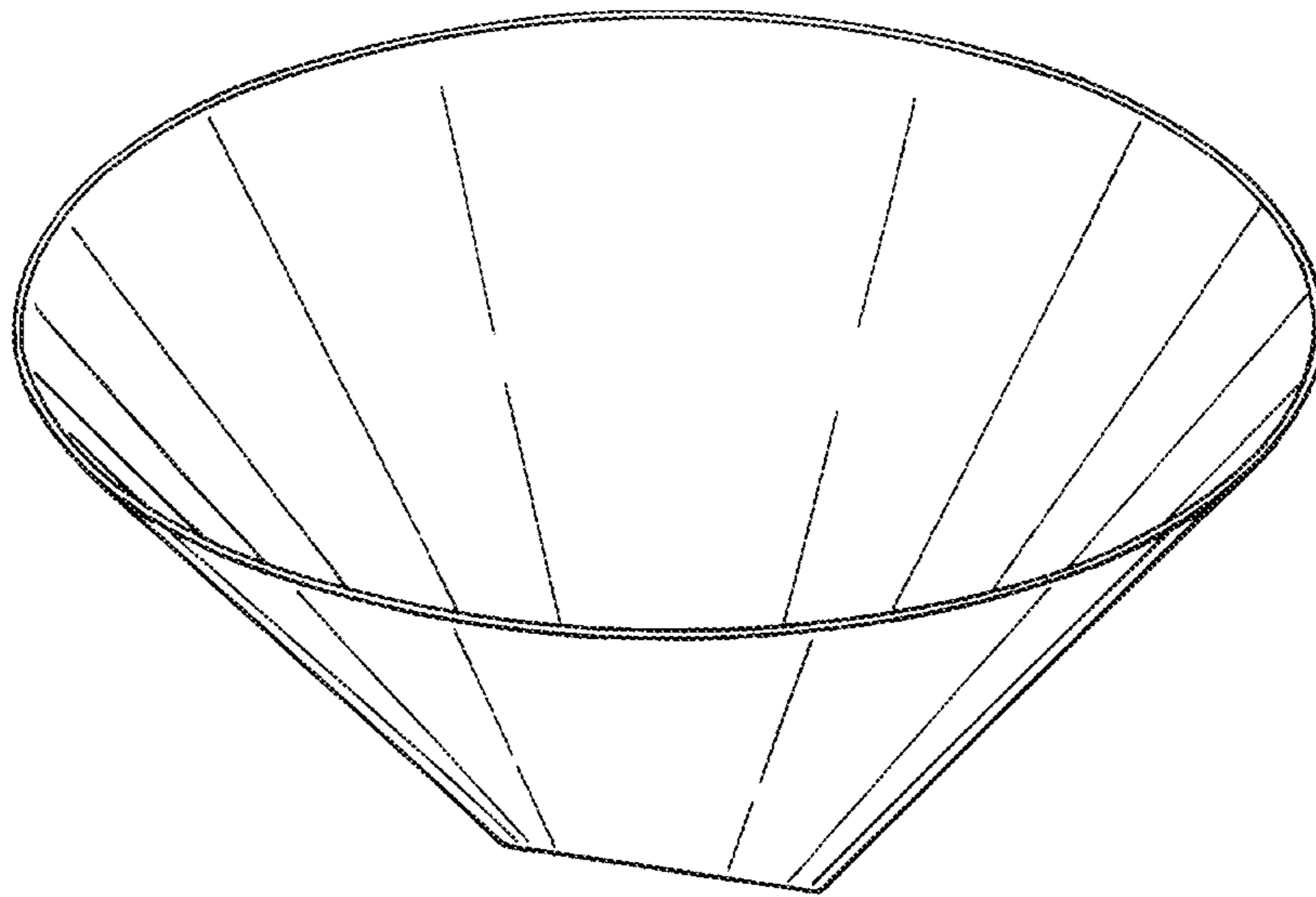


FIG. 1

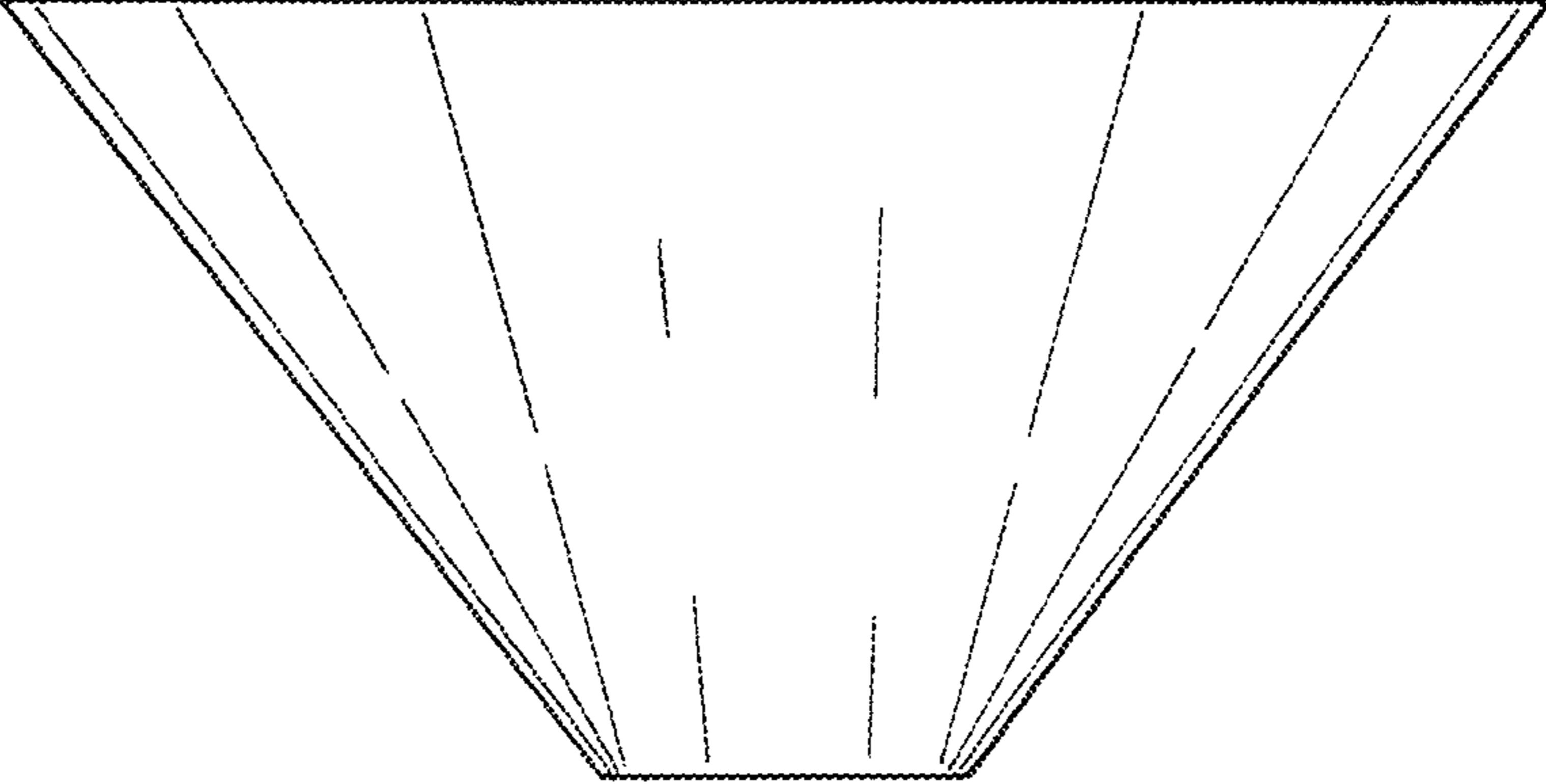


FIG. 2

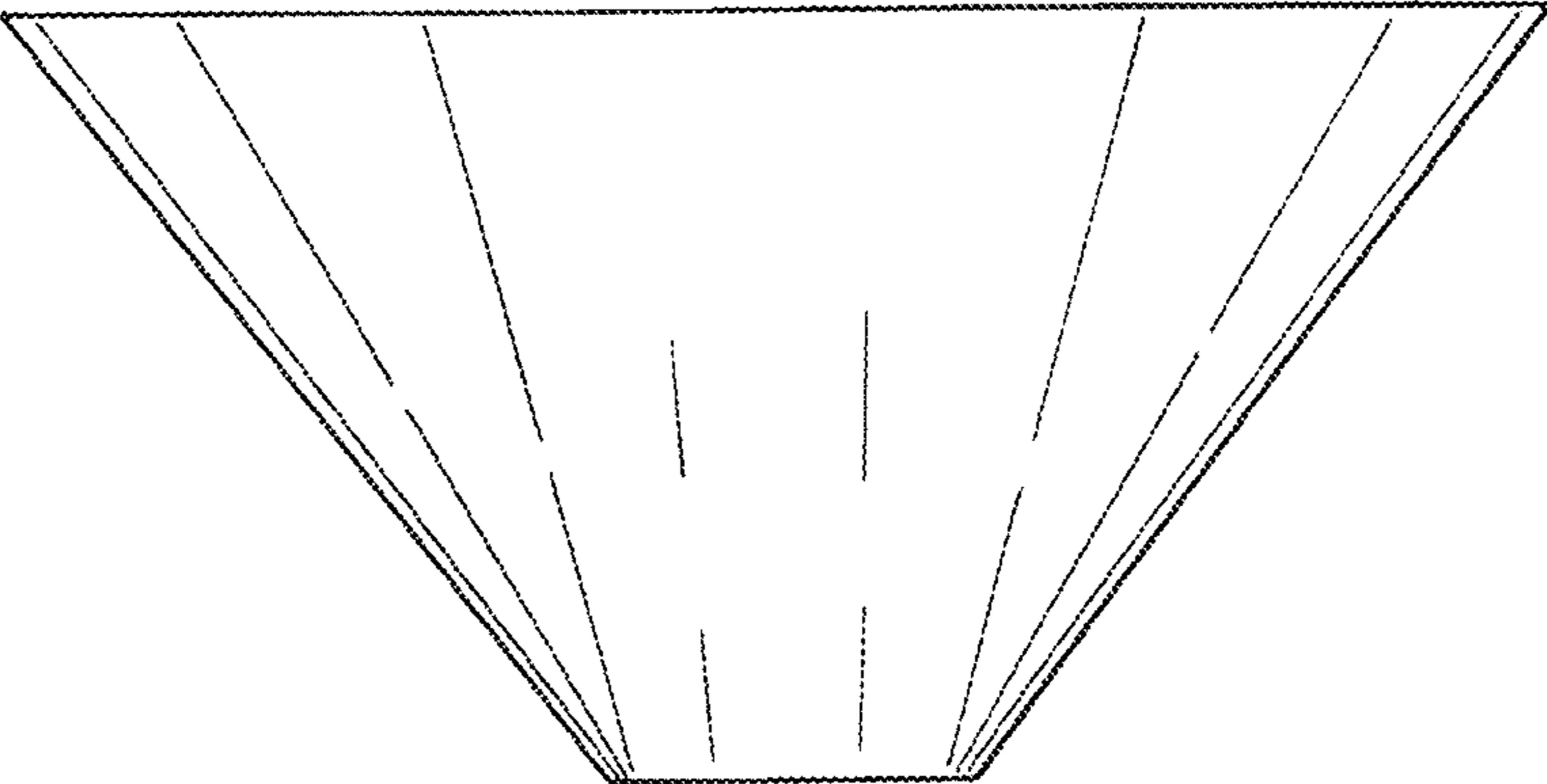


FIG. 3

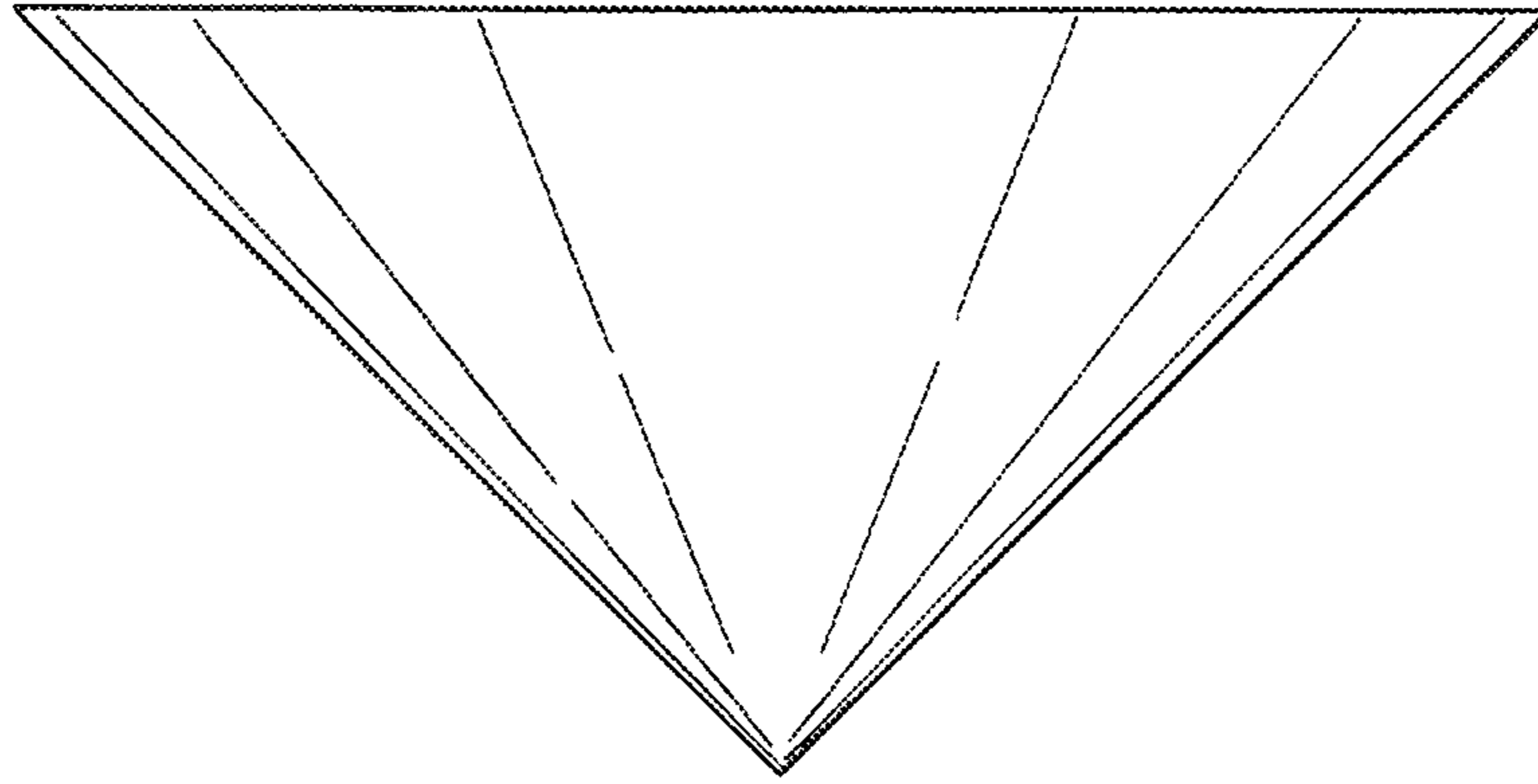


FIG. 4

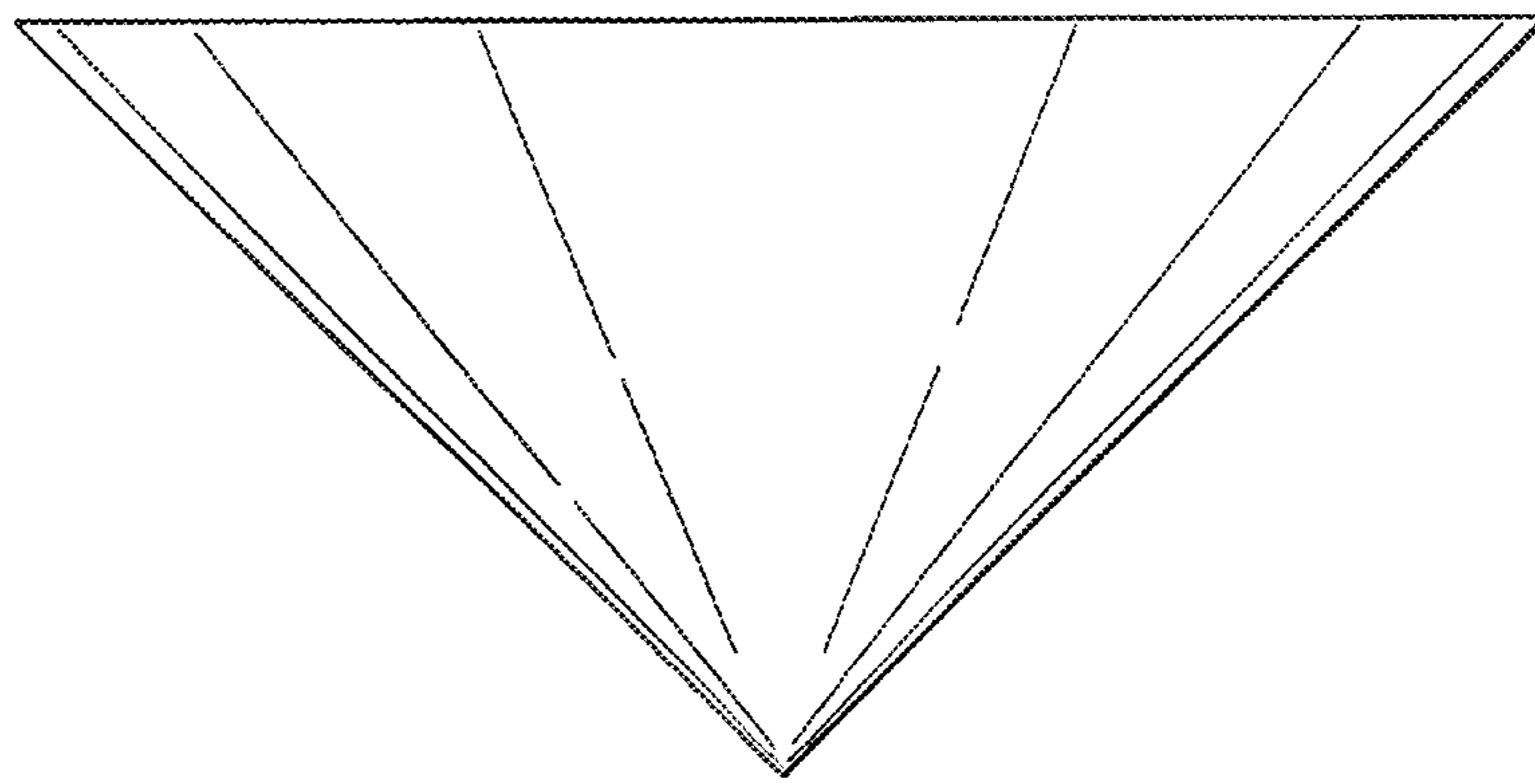


FIG. 5

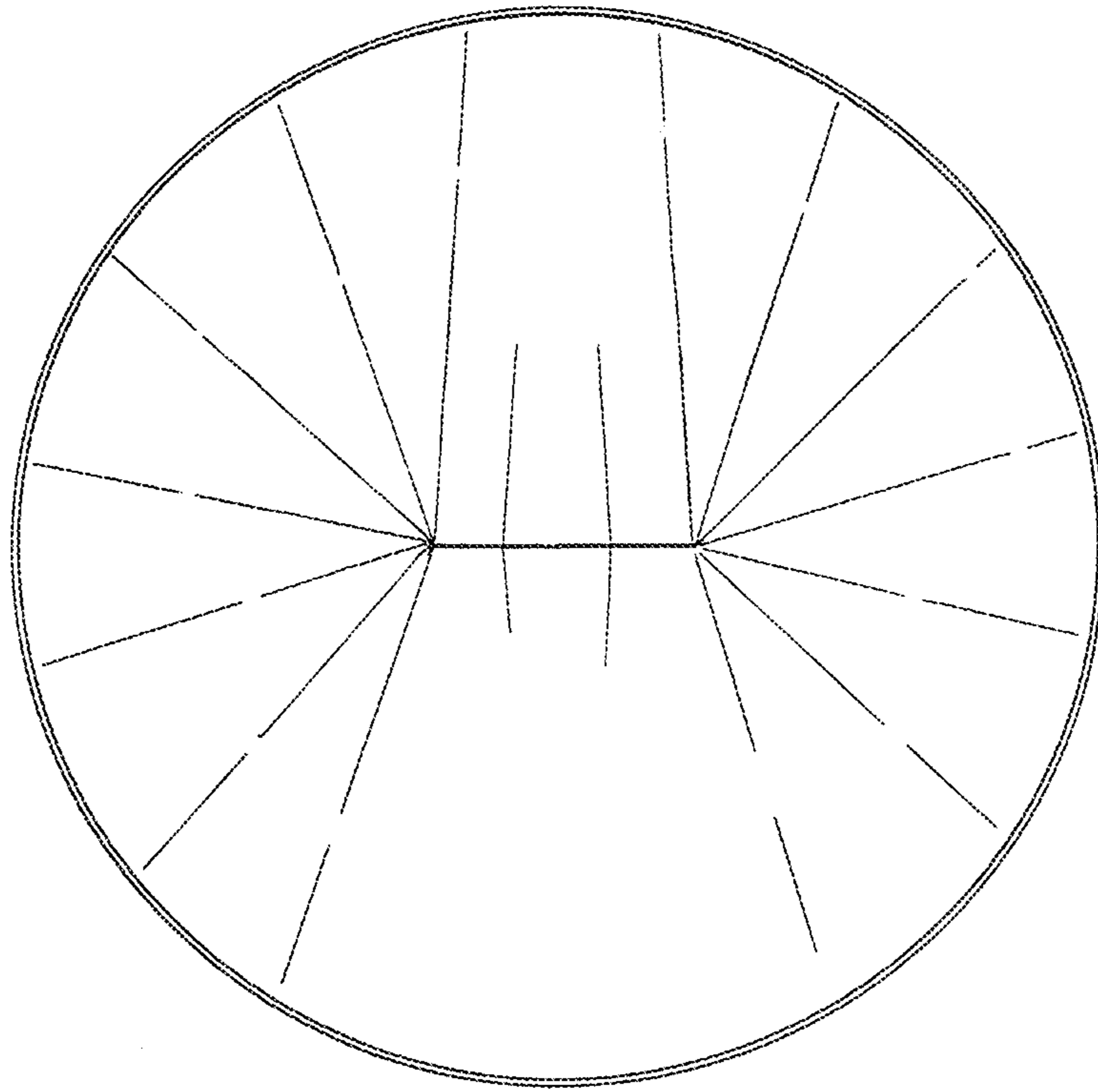


FIG. 6

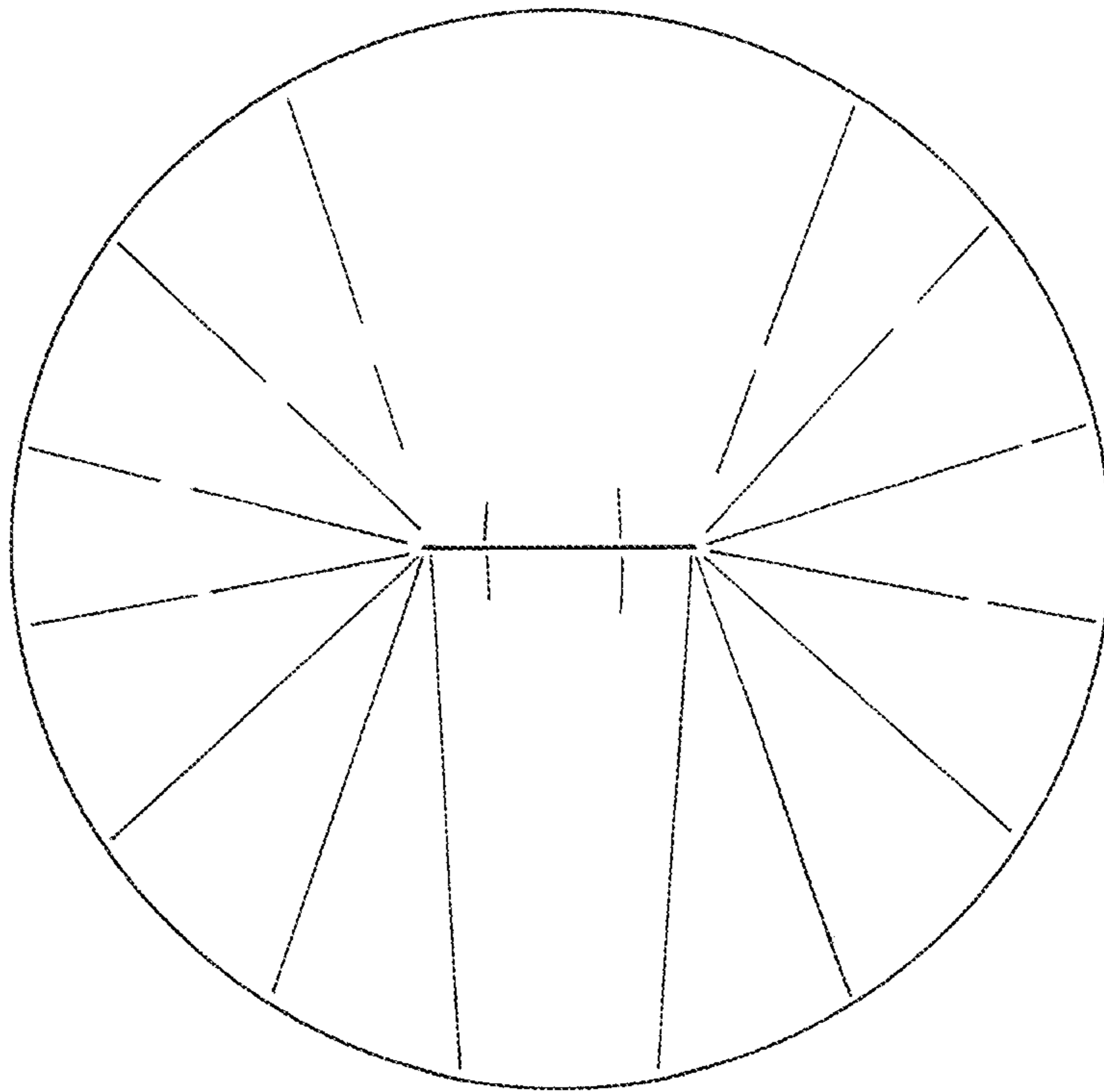


FIG. 7

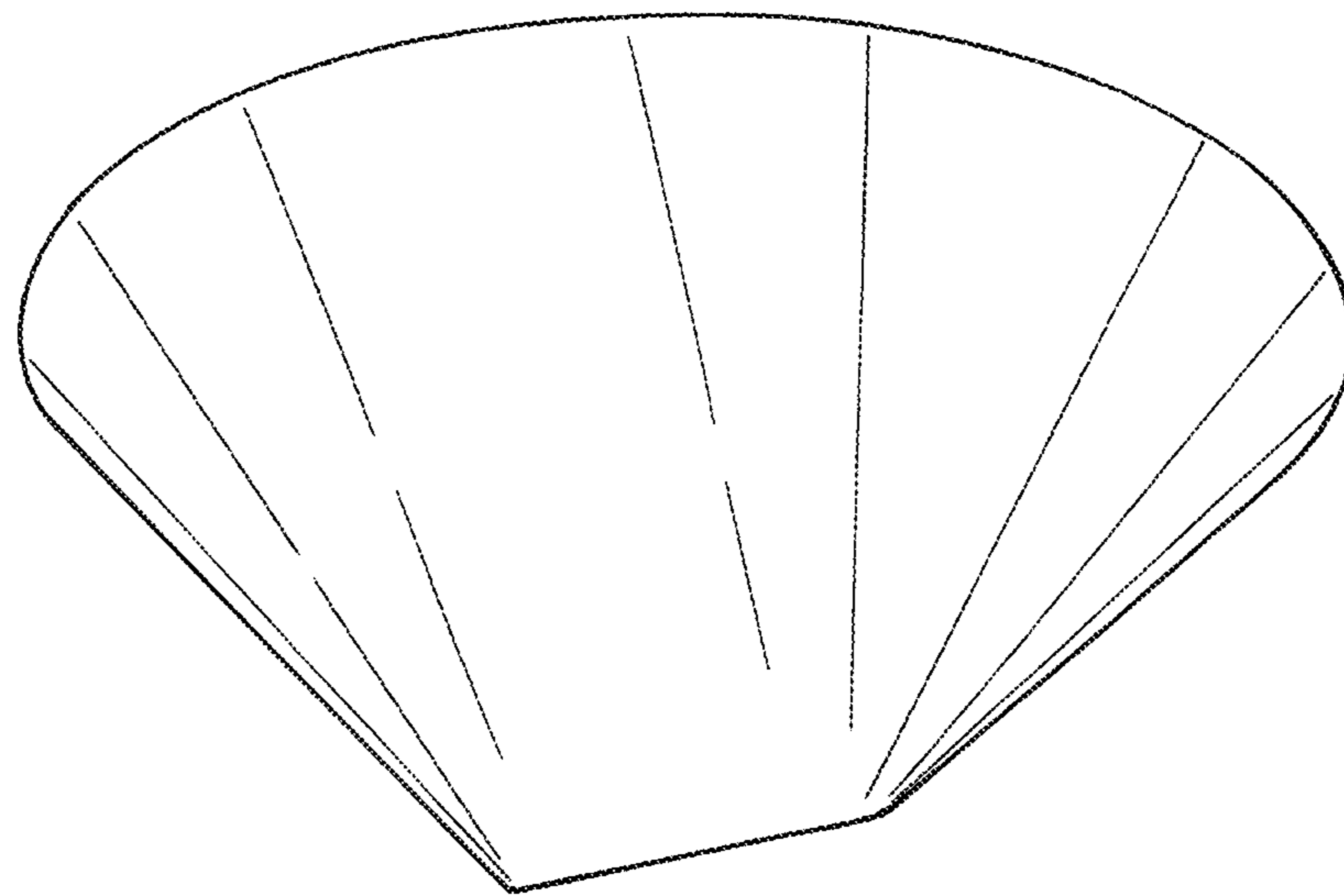


FIG. 8

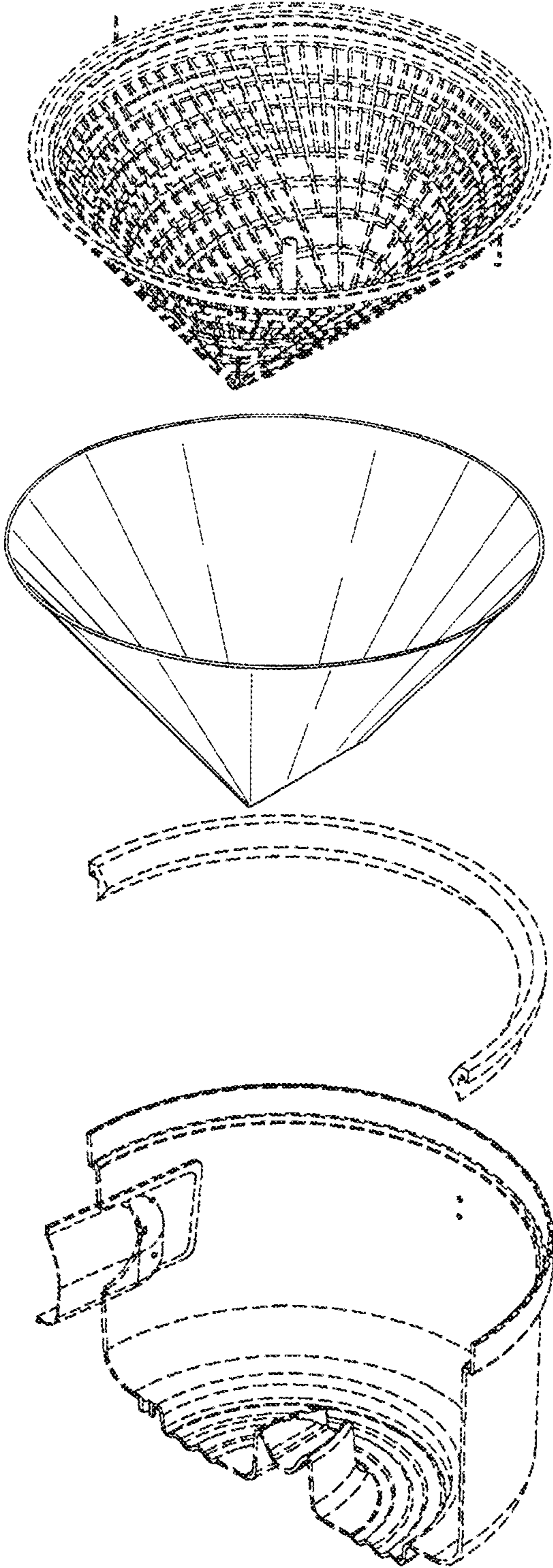


FIG. 9