



US00D913461S

(12) **United States Design Patent**  
**Kergoet**

(10) **Patent No.:** **US D913,461 S**  
(45) **Date of Patent:** **\*\* Mar. 16, 2021**

- (54) **TOILET**
- (71) Applicant: **Kohler Co.**, Kohler, WI (US)
- (72) Inventor: **Francois Kergoet**, Malakoff (FR)
- (73) Assignee: **KOHLER CO.**, Kohler, WI (US)
- (\*\*) Term: **15 Years**
- (21) Appl. No.: **29/656,566**
- (22) Filed: **Jul. 13, 2018**

- D455,477 S 4/2002 Soulier
- D463,538 S 9/2002 Chipperfield
- D471,621 S 3/2003 Bennie
- D496,444 S 9/2004 Kergoet
- D508,984 S 8/2005 Gordon
- D520,615 S \* 5/2006 Hou ..... D23/301
- D531,714 S 11/2006 Soulier
- D536,428 S 2/2007 Kohler et al.
- D536,771 S 2/2007 Chenesseau
- D538,410 S 3/2007 Chenesseau
- D549,508 S 8/2007 Clark et al.
- D556,871 S 12/2007 Lin et al.
- D557,392 S 12/2007 Mukai
- D578,184 S 10/2008 Kitzmiller
- D585,119 S 1/2009 Kitzmiller
- D586,895 S 2/2009 Kergoet

(Continued)

**Related U.S. Application Data**

- (62) Division of application No. 29/625,278, filed on Nov. 8, 2017, now Pat. No. Des. 823,994, which is a division of application No. 29/576,678, filed on Sep. 6, 2016, now Pat. No. Des. 812,728.

*Primary Examiner* — John A Voytek

(74) *Attorney, Agent, or Firm* — Foley & Lardner LLP

(30) **Foreign Application Priority Data**

Mar. 9, 2016 (EM) ..... 003021922

(51) **LOC (13) Cl.** ..... **23-02**

(52) **U.S. Cl.**  
USPC ..... **D23/301**

(58) **Field of Classification Search**  
USPC ..... D23/295–303, 309, 311–313  
CPC ..... A47K 11/02; A47K 11/026; A47K 11/00;  
A47K 13/00; E03D 11/18; E03D 5/10;  
E03D 13/00

See application file for complete search history.

(56) **References Cited**

**U.S. PATENT DOCUMENTS**

- 723,973 A 3/1903 Alexander
- D198,016 S 4/1964 Kaiser
- D337,376 S 7/1993 Ragonot
- D434,124 S 11/2000 McKeone
- D449,674 S 10/2001 Otte et al.

(57) **CLAIM**

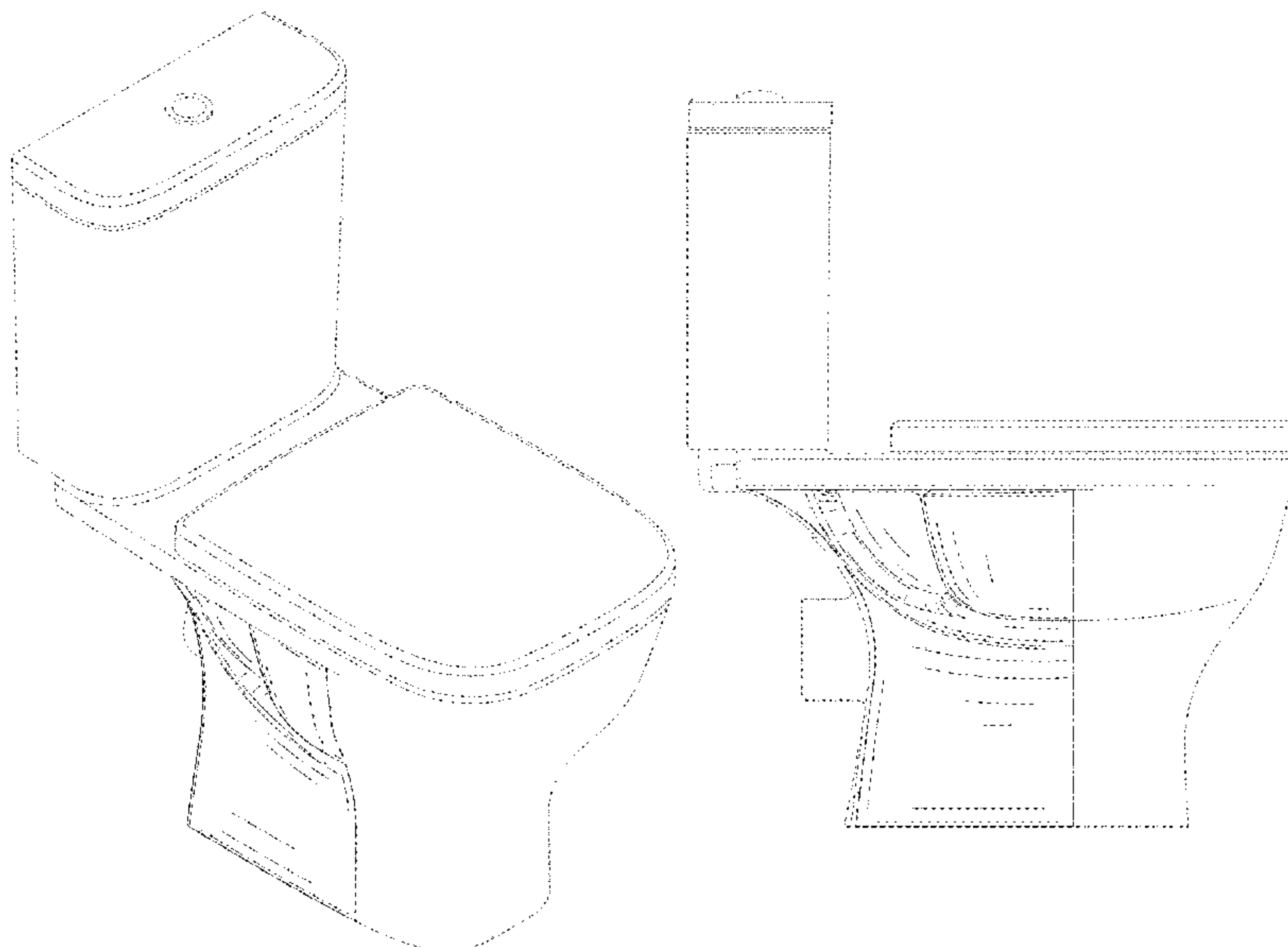
I claim the ornamental design for a toilet, as shown and described.

**DESCRIPTION**

FIG. 1 is a top, front, left perspective view of an embodiment of the claimed design;  
FIG. 2 is a right side elevation view thereof;  
FIG. 3 is a left side elevation view thereof;  
FIG. 4 is a front elevation view thereof;  
FIG. 5 is a rear elevation view thereof;  
FIG. 6 is a top plan view thereof; and,  
FIG. 7 is a bottom plan view thereof.

The broken lines in the drawings are for illustrative purposes only and form no part of the claimed design. Broken lines formed by equal length dashes in the drawings illustrate unclaimed portions of the design. Broken lines formed of unequal length dashes (i.e., dash-dot) show boundaries between claimed and unclaimed portions of the design.

**1 Claim, 7 Drawing Sheets**



(56)

References Cited

U.S. PATENT DOCUMENTS

D588,679 S 3/2009 Cheng  
 D594,944 S 6/2009 Starck  
 D600,333 S 9/2009 Liu  
 D600,335 S 9/2009 Cleppe  
 D601,233 S 9/2009 Kergoet  
 D602,133 S 10/2009 Soulier  
 D603,028 S 10/2009 Kergoet  
 D606,178 S 12/2009 Cummings et al.  
 D622,827 S 8/2010 Soulier  
 D624,996 S 10/2010 Schonherr et al.  
 D624,997 S 10/2010 Schonherr et al.  
 D630,715 S 1/2011 Thomas  
 D631,143 S 1/2011 Thomas  
 D634,409 S 3/2011 Palomba et al.  
 D634,410 S 3/2011 Palomba et al.  
 D637,702 S 5/2011 Rexach  
 D645,124 S 9/2011 Palomba et al.  
 D646,366 S 10/2011 Palomba et al.  
 D647,184 S \* 10/2011 Bates ..... D23/295  
 D659,811 S 5/2012 Licini  
 D663,391 S 7/2012 Iranyi et al.  
 D667,940 S 9/2012 Licini  
 8,296,870 B2 10/2012 Kannengiesser  
 D687,936 S 8/2013 Kennedy

D688,354 S 8/2013 Moore  
 D694,378 S 11/2013 Bates  
 D694,379 S 11/2013 Bates  
 D695,384 S 12/2013 Bates  
 D700,686 S 3/2014 Spangler  
 D702,819 S 4/2014 Garland et al.  
 D702,820 S \* 4/2014 Spangler ..... D23/301  
 D770,020 S 10/2016 Lilly et al.  
 D797,911 S 9/2017 Mesun et al.  
 D798,424 S 9/2017 Mesun et al.  
 D799,011 S 10/2017 Stevenson et al.  
 D801,490 S 10/2017 Stevenson et al.  
 D801,491 S 10/2017 Stevenson et al.  
 D802,105 S 11/2017 Stevenson et al.  
 D802,106 S 11/2017 Stevenson et al.  
 D809,636 S 2/2018 Dong  
 D811,563 S 2/2018 L'Henaff et al.  
 D812,728 S 3/2018 Kergoet  
 D823,994 S 7/2018 Kergoet  
 D827,113 S 8/2018 Stevenson et al.  
 D828,525 S 9/2018 Cummings et al.  
 D829,870 S 10/2018 Cummings et al.  
 D829,873 S 10/2018 Booth  
 D840,003 S 2/2019 Starck  
 D840,521 S \* 2/2019 Kergoet ..... D23/295  
 D855,687 S 8/2019 Villalpando  
 2008/0201835 A1 8/2008 Ueno et al.

\* cited by examiner

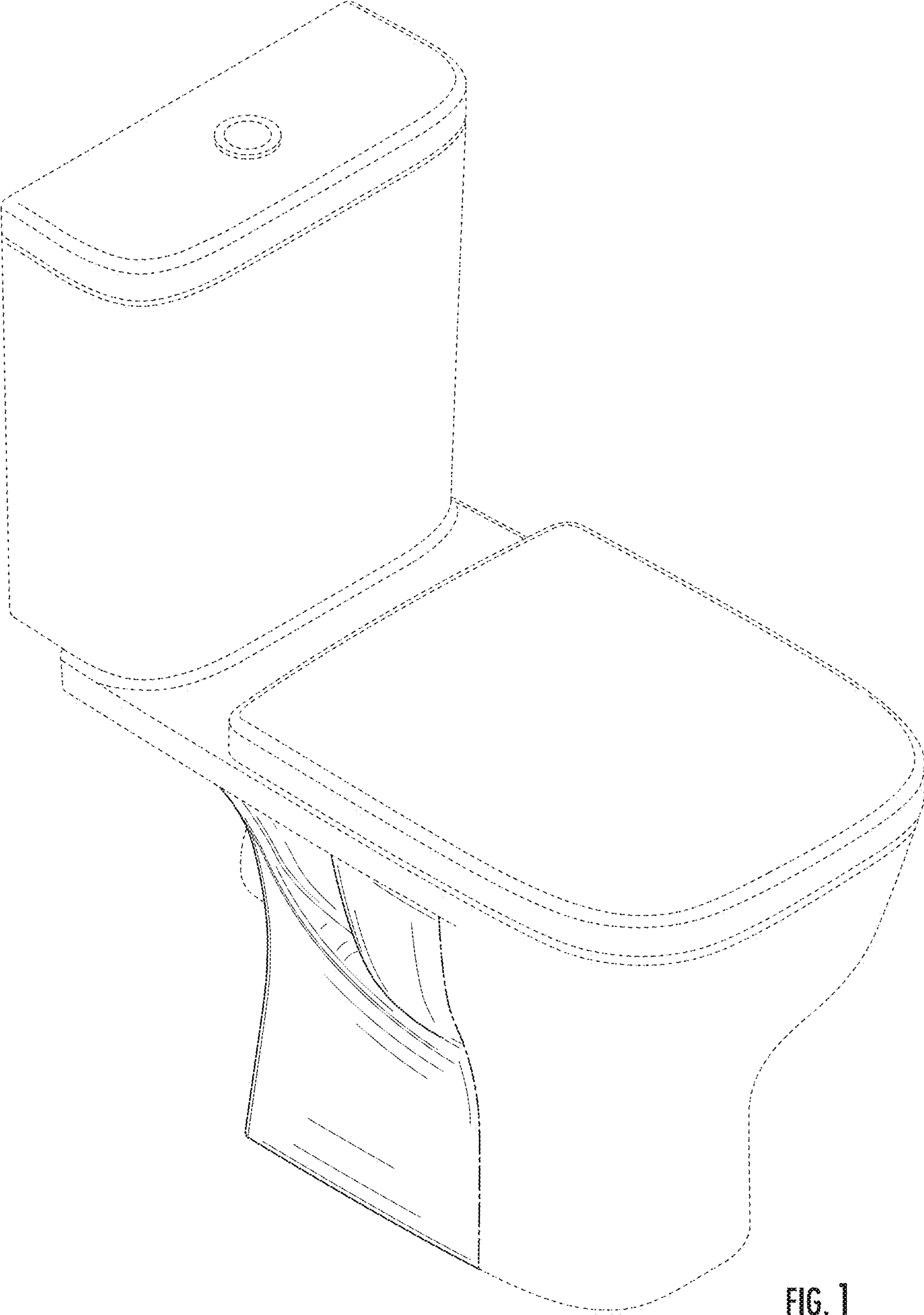


FIG. 1

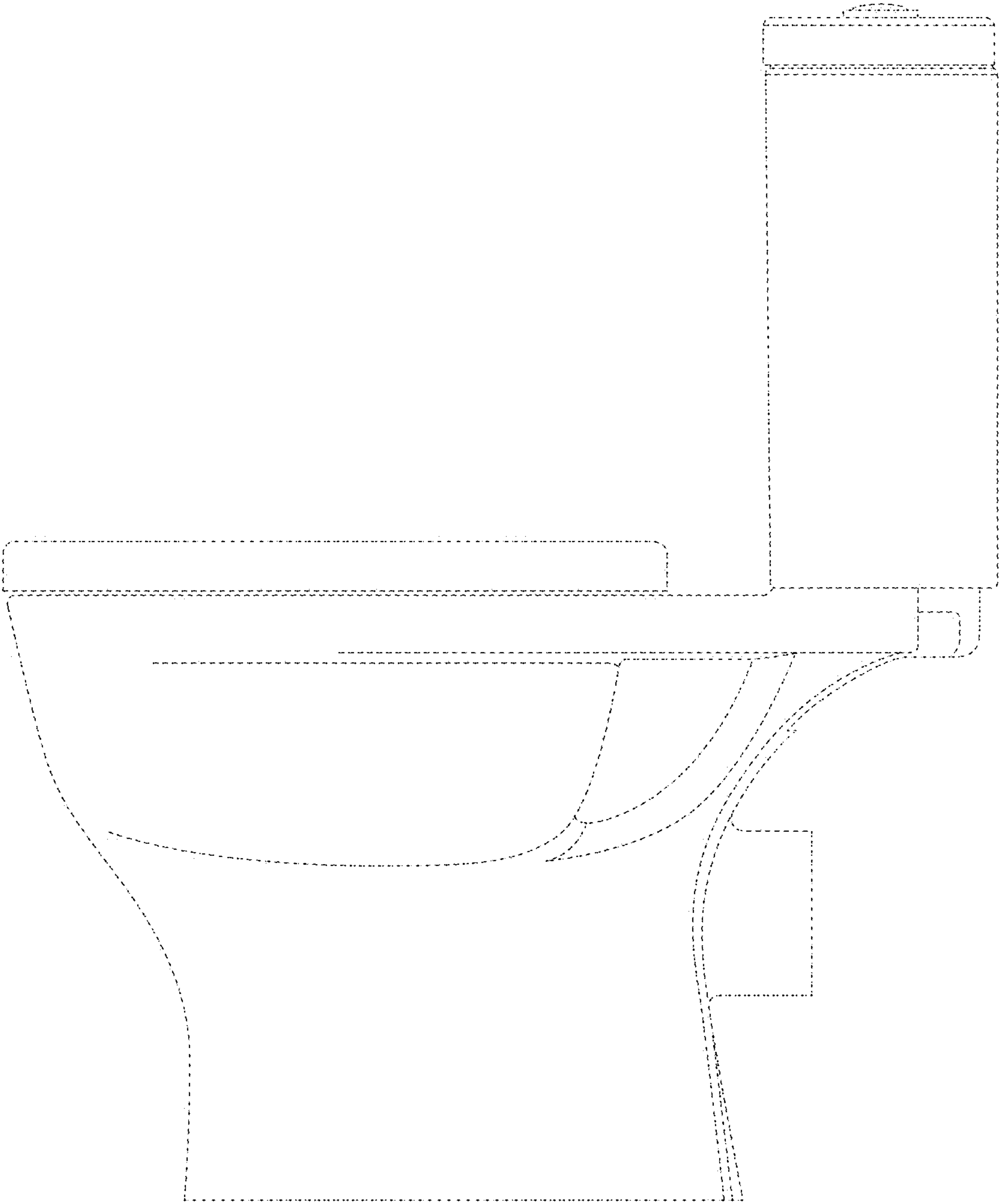


FIG. 2

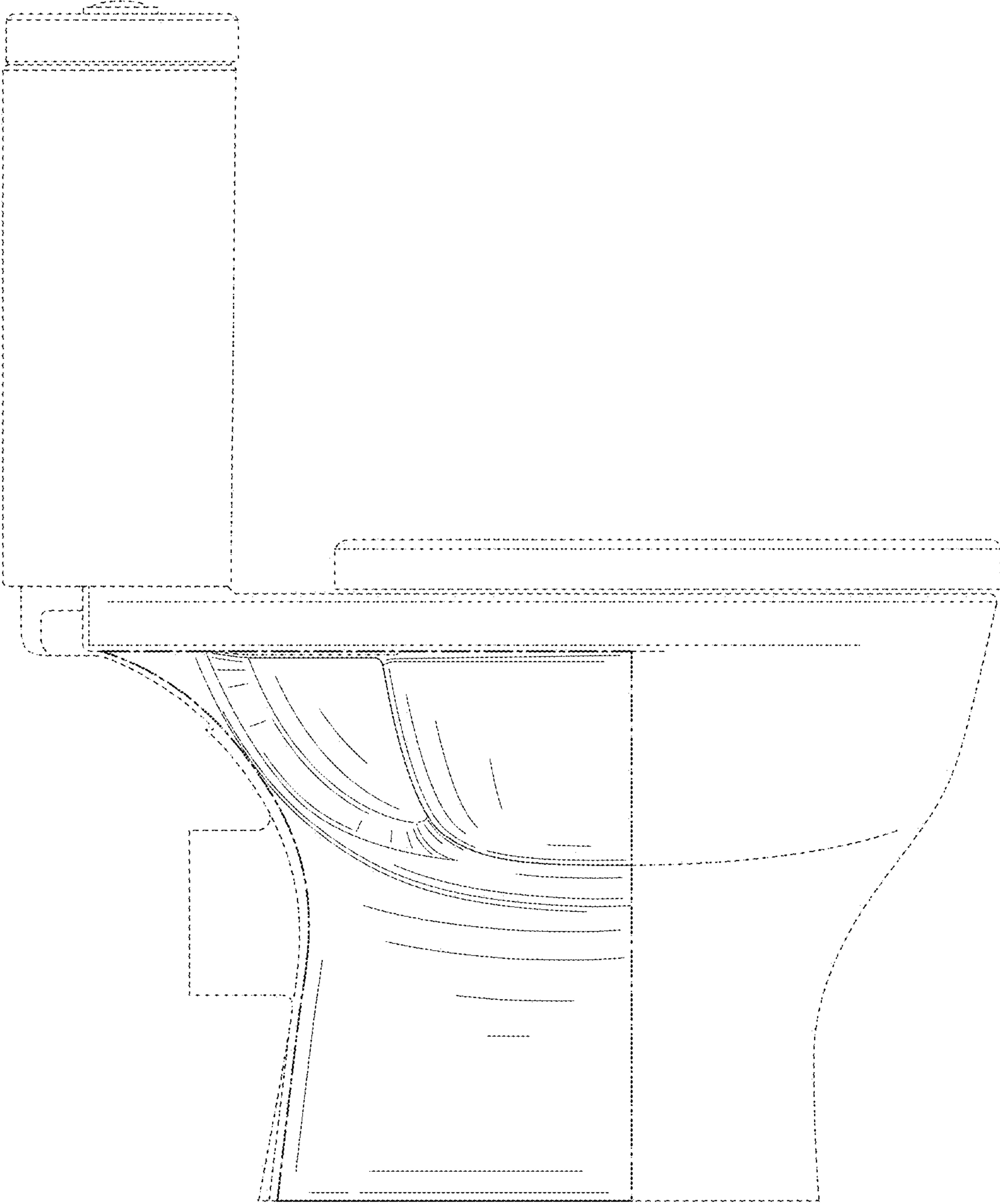


FIG. 3

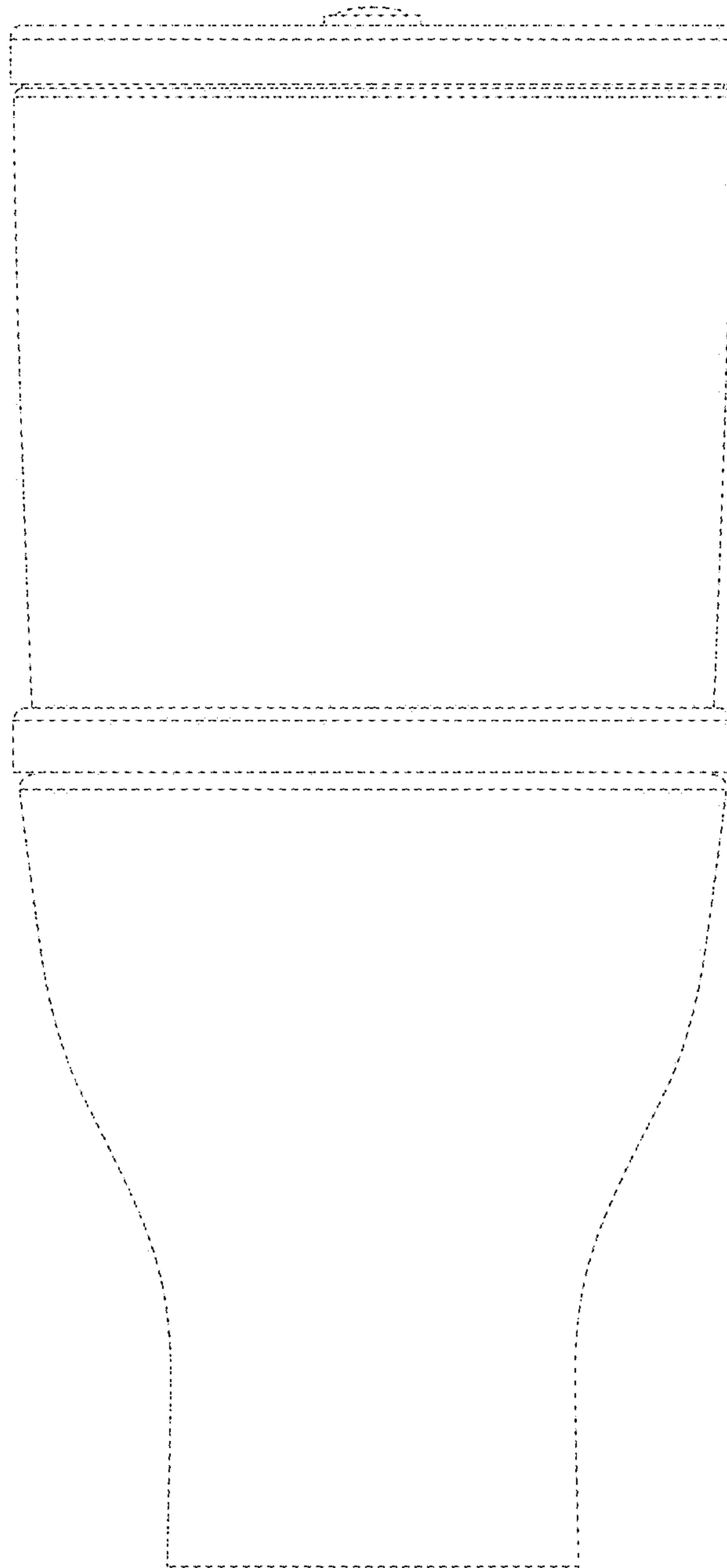


FIG. 4



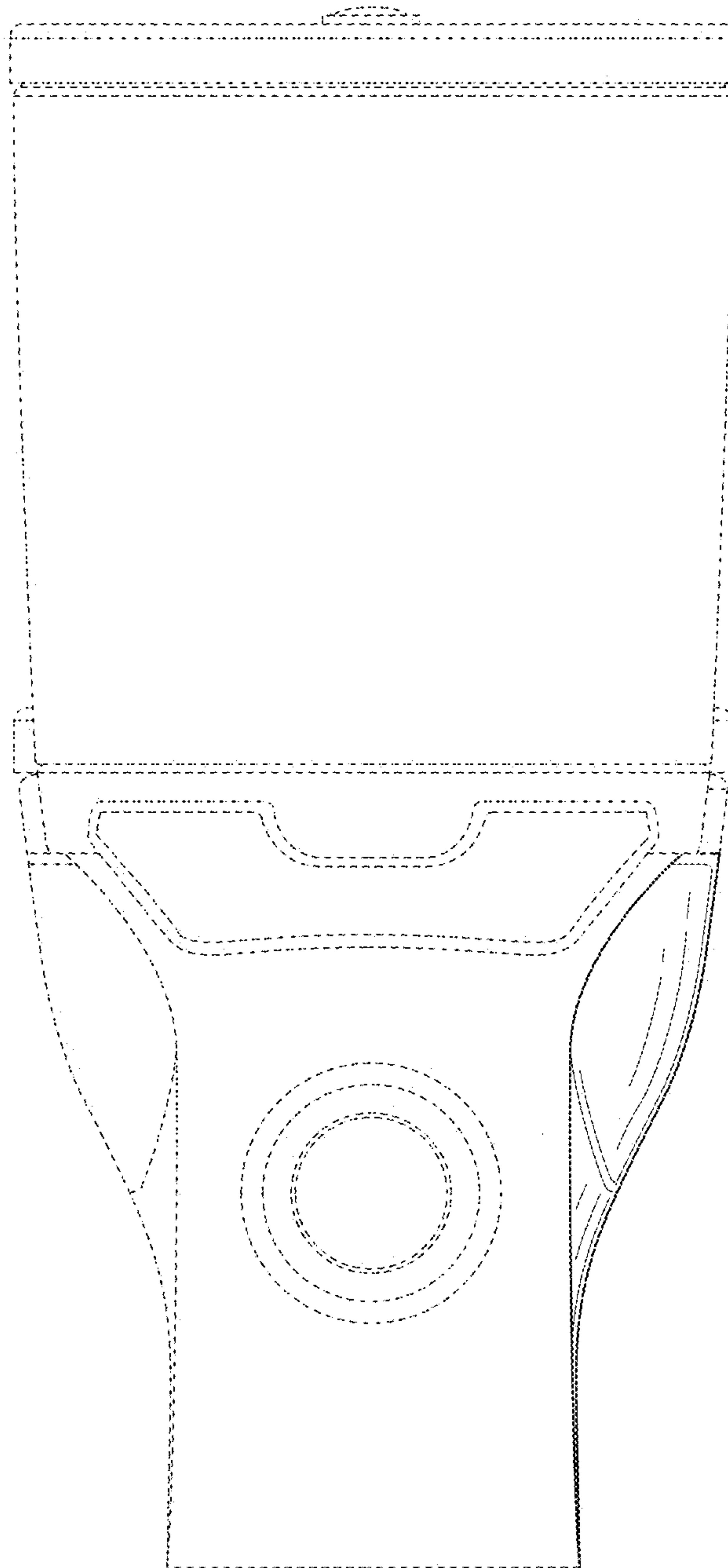


FIG. 5

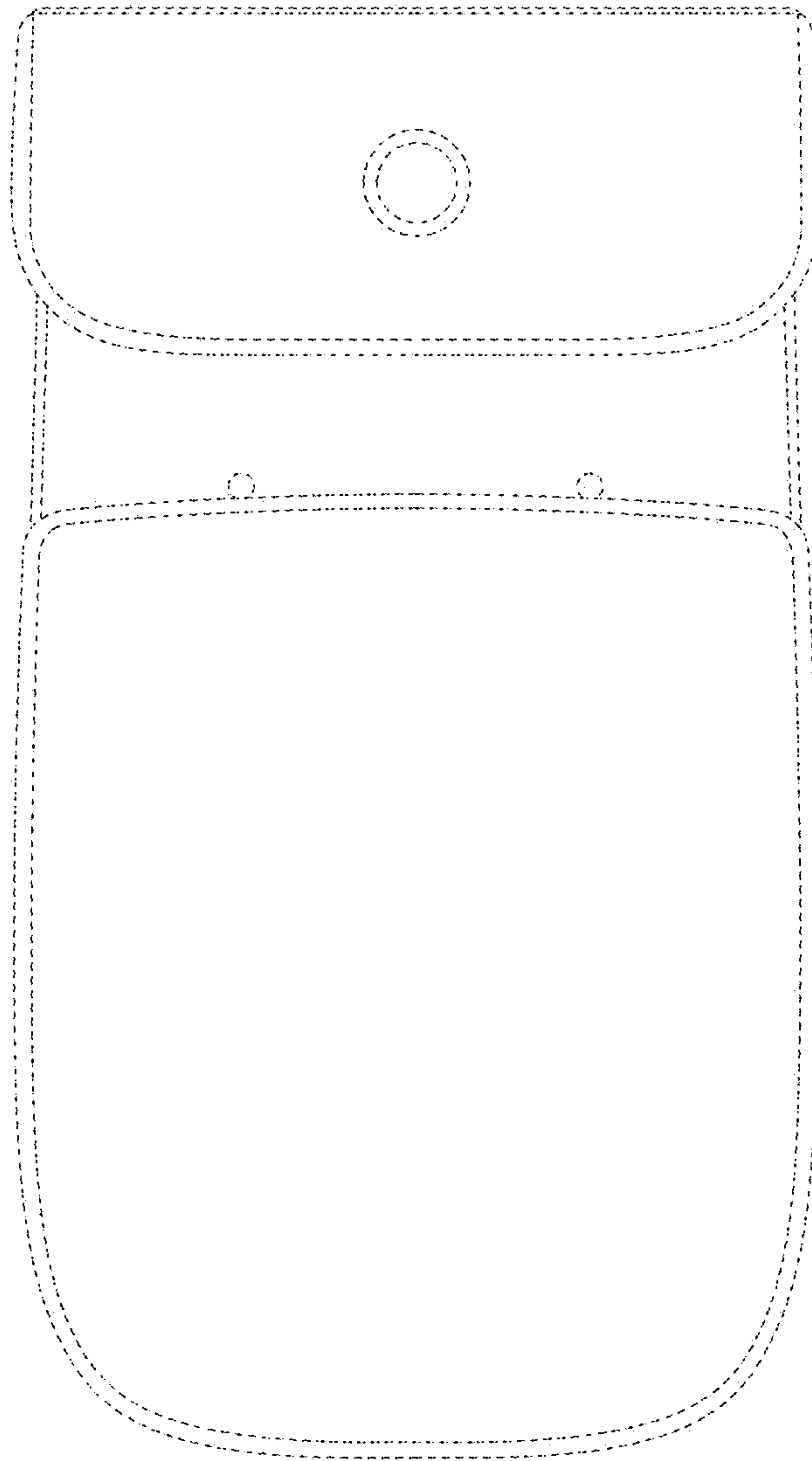


FIG. 6



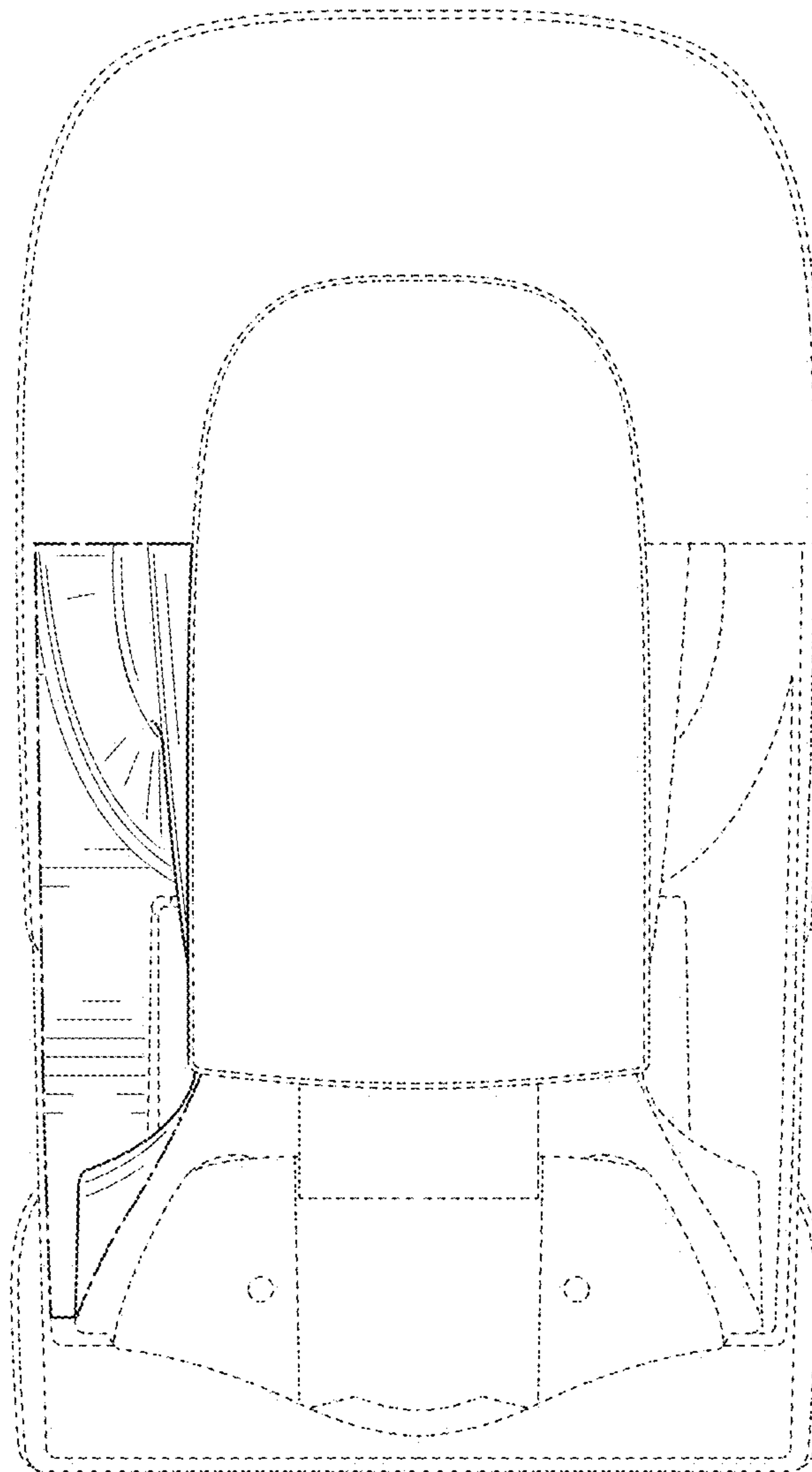


FIG. 7