



US00D913459S

(12) **United States Design Patent** (10) **Patent No.:** **US D913,459 S**  
**Kergoët** (45) **Date of Patent:** **\*\* Mar. 16, 2021**

(54) **TOILET**  
(71) Applicant: **Kohler Co.**, Kohler, WI (US)  
(72) Inventor: **François Kergoët**, Malakoff (FR)  
(73) Assignee: **Kohler Co.**, Kohler, WI (US)  
(\*\*) Term: **15 Years**  
(21) Appl. No.: **29/648,027**  
(22) Filed: **May 17, 2018**  
(51) **LOC (13) Cl.** ..... **23-02**  
(52) **U.S. Cl.**  
USPC ..... **D23/295**  
(58) **Field of Classification Search**  
USPC ..... D23/295-303, 309, 311-313  
CPC ..... A47K 11/02; A47K 11/026; A47K 11/00;  
A47K 13/00; E03D 11/18; E03D 5/10;  
E03D 13/00  
See application file for complete search history.

D556,870 S \* 12/2007 Lin ..... D23/295  
D556,872 S \* 12/2007 Crowther ..... D23/300  
D596,276 S \* 7/2009 Espinoza ..... D23/300  
D609,791 S \* 2/2010 Cummings ..... D23/300  
D654,576 S \* 2/2012 Cornille ..... D23/300  
D657,031 S 4/2012 Bickerstaffe  
D667,941 S \* 9/2012 Bickerstaffe ..... D23/295  
D767,743 S 9/2016 Reid  
D782,634 S 3/2017 Reid  
D796,652 S \* 9/2017 Vish ..... D23/300  
D798,424 S 9/2017 Mesun  
D801,491 S 10/2017 Stevenson  
D802,105 S 11/2017 Stevenson  
D802,106 S 11/2017 Stevenson

\* cited by examiner

*Primary Examiner* — John A Voytek  
(74) *Attorney, Agent, or Firm* — Foley & Lardner LLP

(57) **CLAIM**

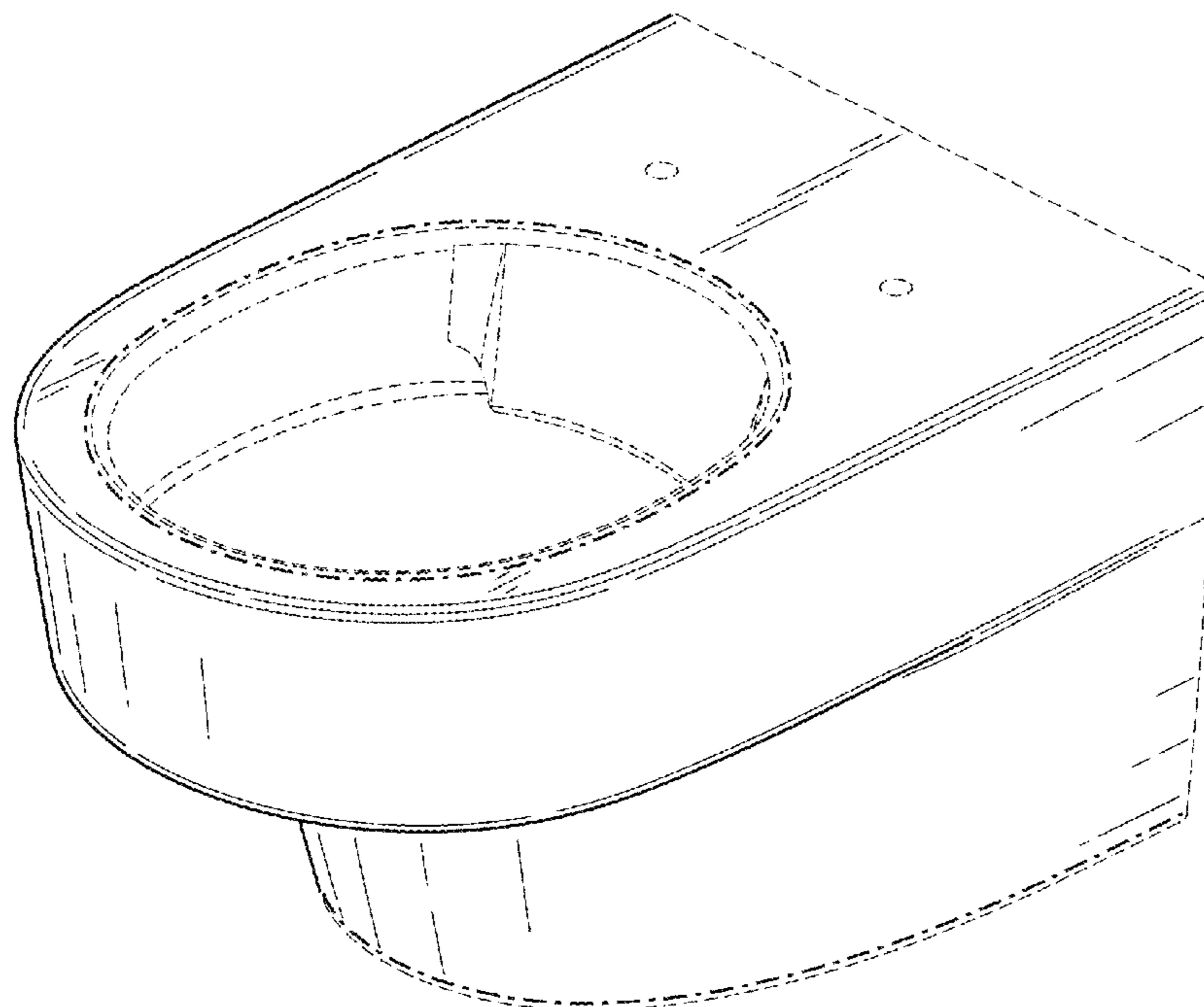
I claim the ornamental design for a toilet, as shown and described.

**DESCRIPTION**

FIG. 1 is a perspective view of an embodiment of the claimed design;  
FIG. 2 is a front view of the embodiment of FIG. 1;  
FIG. 3 is a rear view of the embodiment of FIG. 1;  
FIG. 4 is a side view of the embodiment of FIG. 1;  
FIG. 5 is another side view of the embodiment of FIG. 1;  
FIG. 6 is a top view of the embodiment of FIG. 1; and,  
FIG. 7 is a bottom view of the embodiment of FIG. 1.  
Broken lines in the drawings show portions of the toilet that form no part of the claimed design. Broken lines formed of unequal length dashes (i.e., dash-dot) define bounds of the toilet and form no part of the claimed design.

**1 Claim, 5 Drawing Sheets**

(56) **References Cited**  
U.S. PATENT DOCUMENTS  
D226,910 S \* 5/1973 Doman ..... D23/295  
D309,939 S 8/1990 Yvetot  
D349,156 S 7/1994 Kohler  
D354,341 S 1/1995 Kohler  
D379,217 S 5/1997 Kergoët  
D428,122 S \* 7/2000 Garza ..... D23/295  
D445,884 S \* 7/2001 Marshall ..... D23/295  
D455,202 S 4/2002 Soulier  
D455,477 S \* 4/2002 Soulier ..... D23/295  
D496,444 S 9/2004 Kergoët  
D520,613 S \* 5/2006 Soulier ..... D23/295  
D531,714 S 11/2006 Soulier  
D532,494 S \* 11/2006 Mukai ..... D23/301



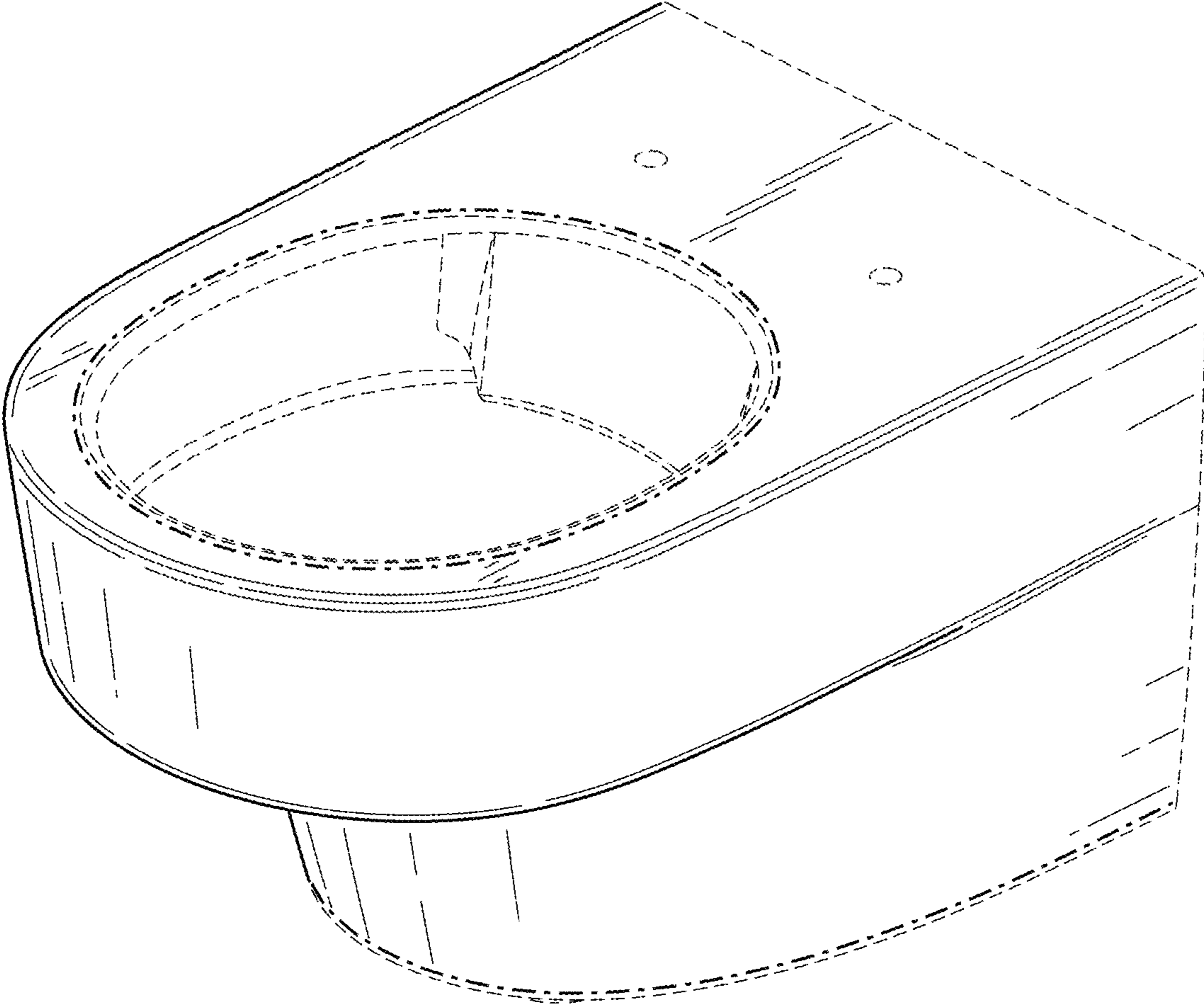


FIG. 1

FIG. 2

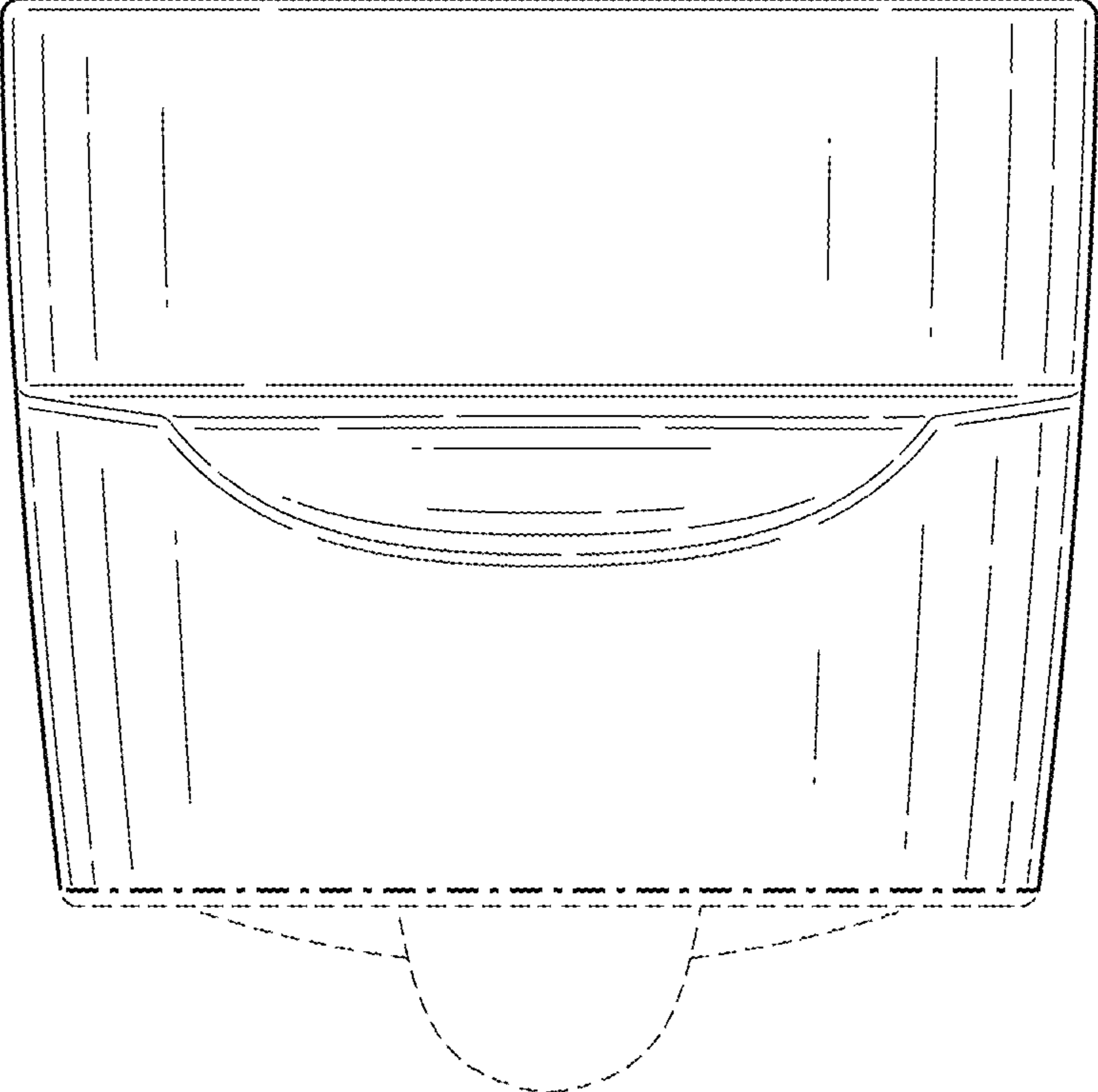
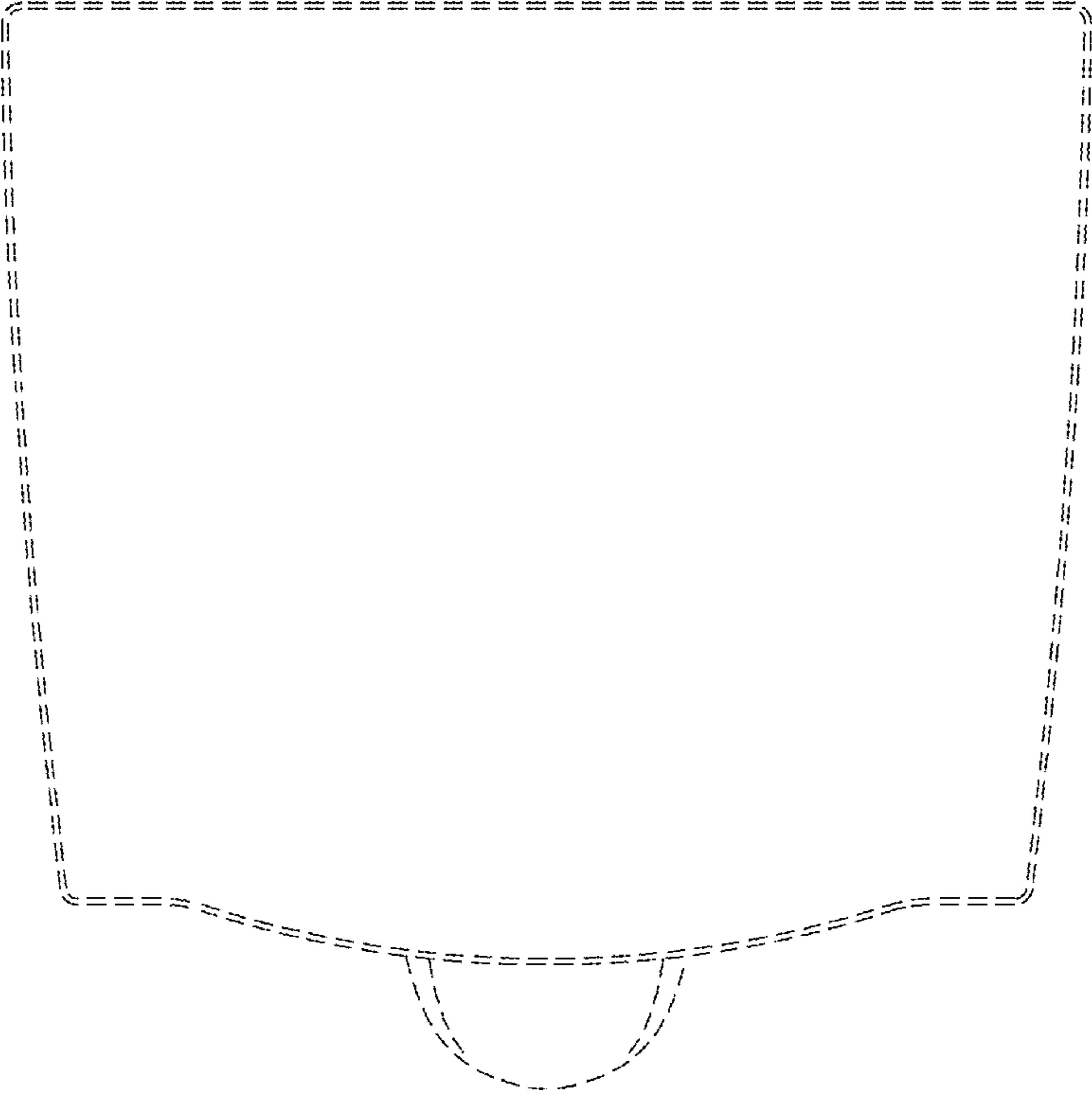


FIG. 3



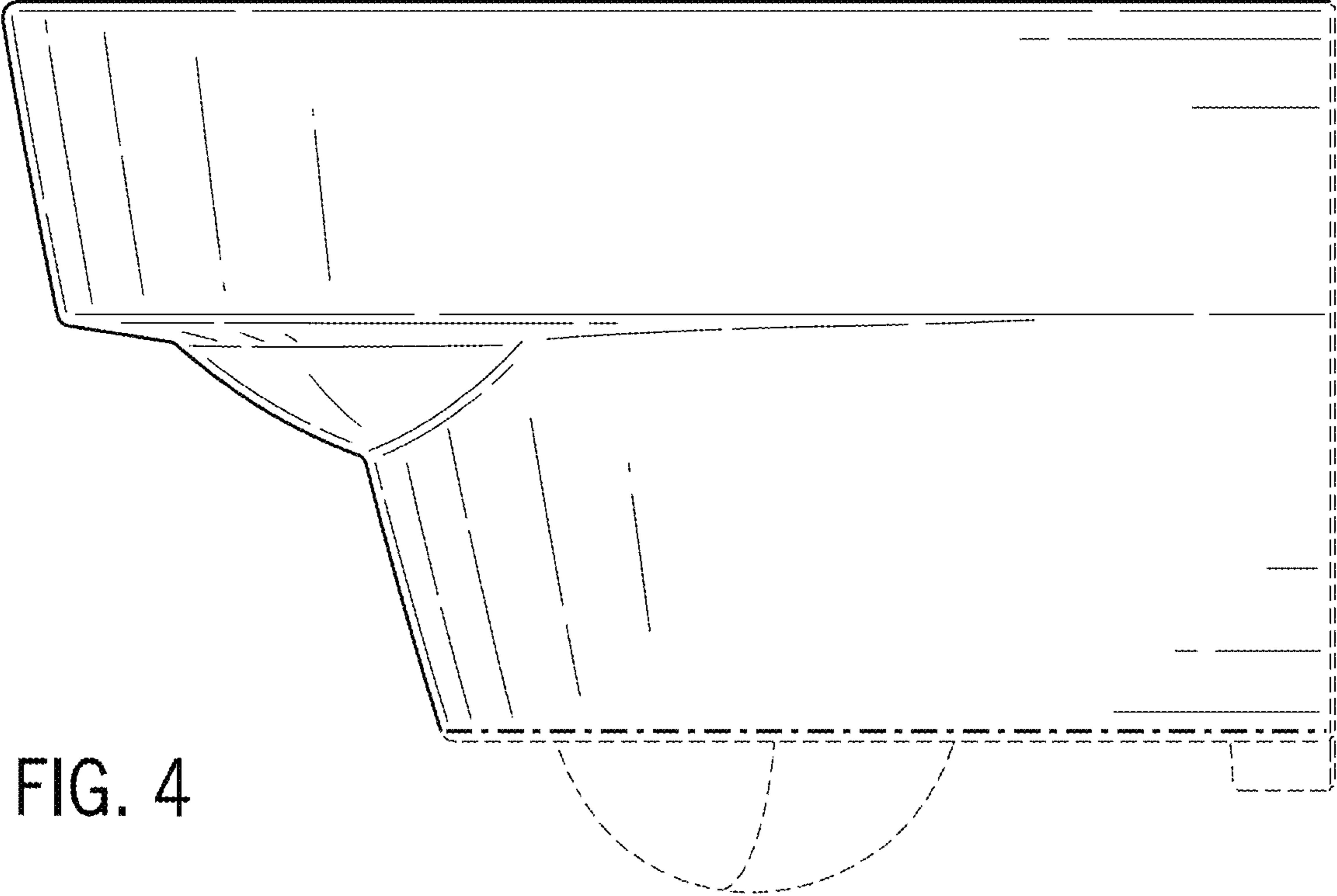


FIG. 4

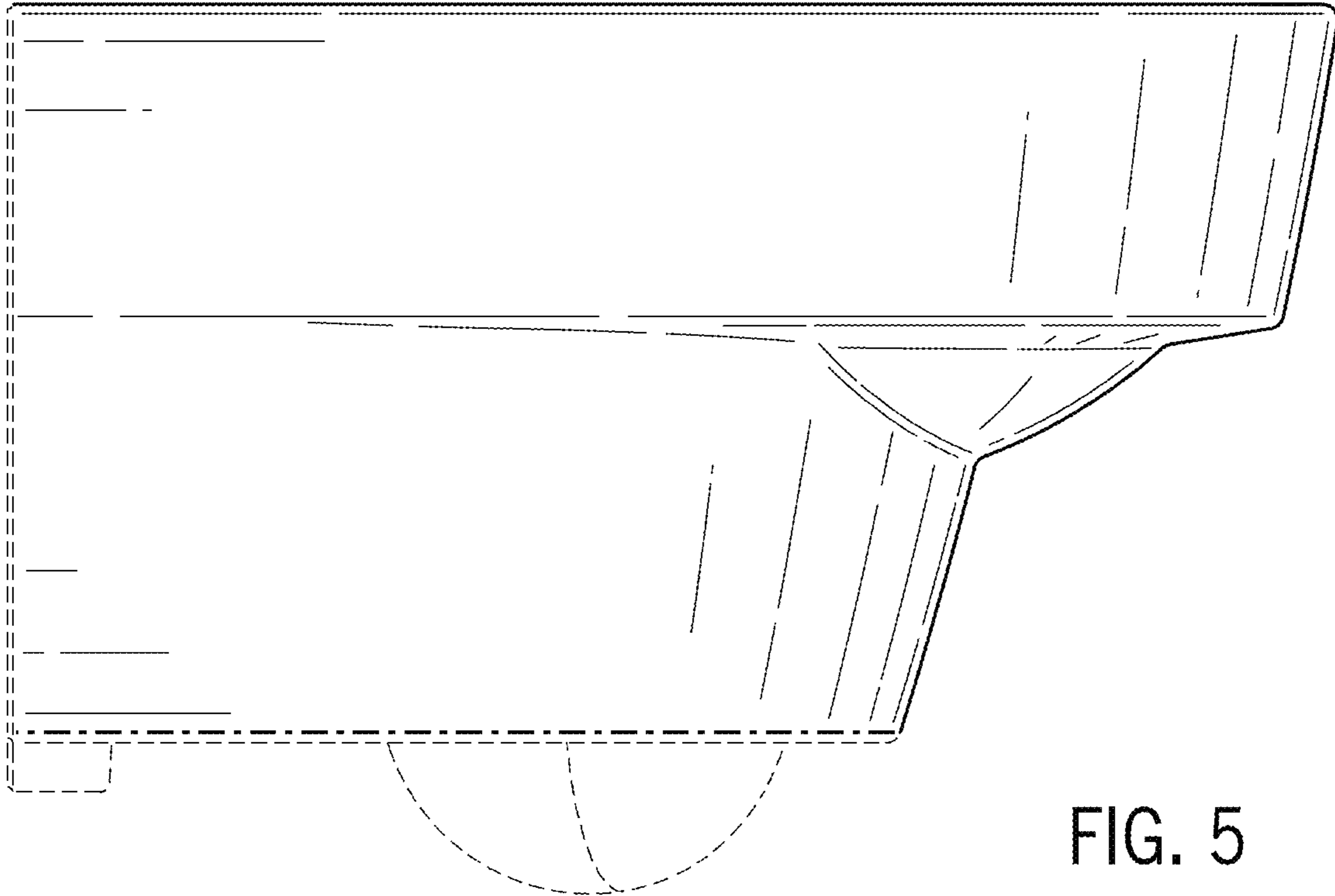


FIG. 5

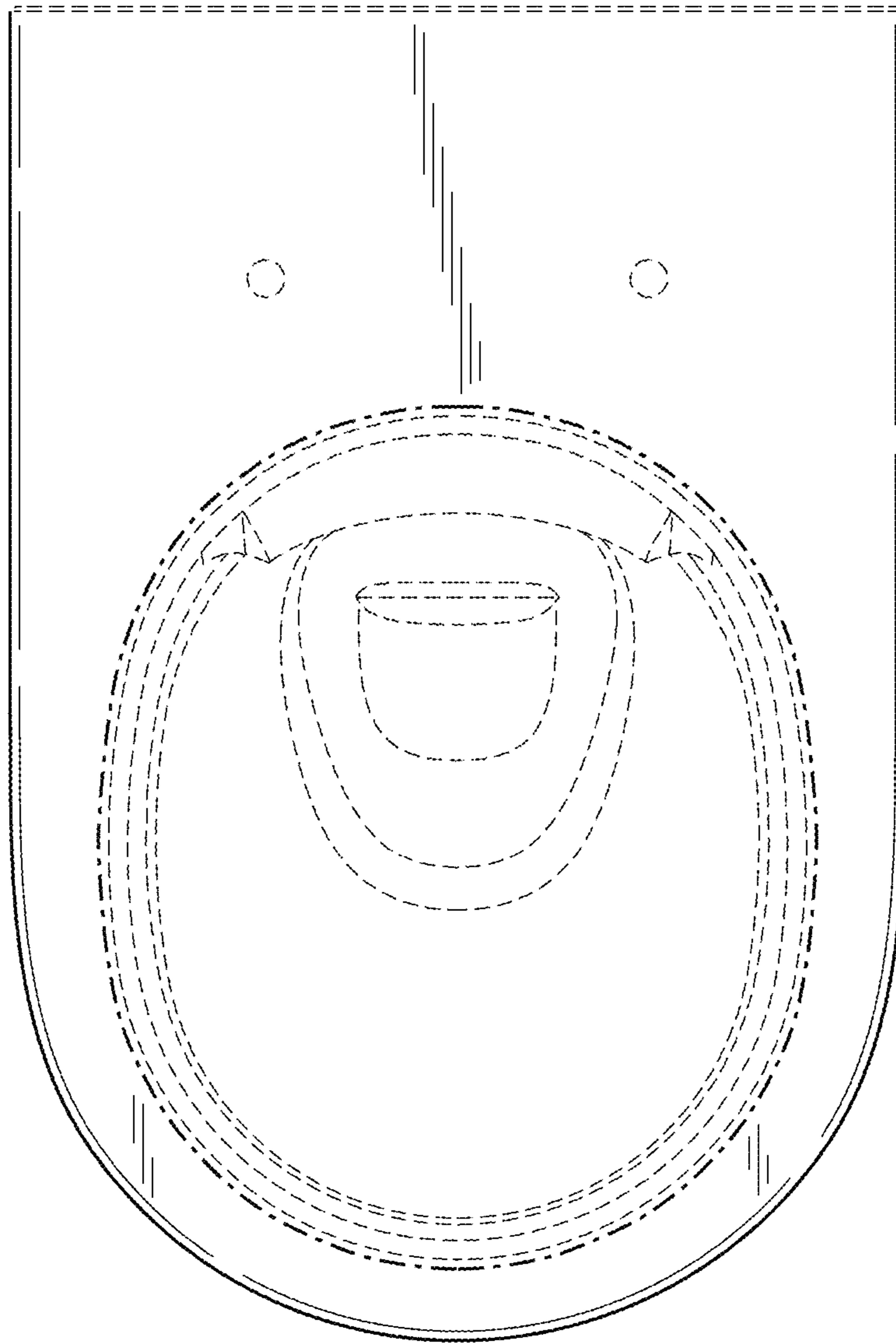


FIG. 6



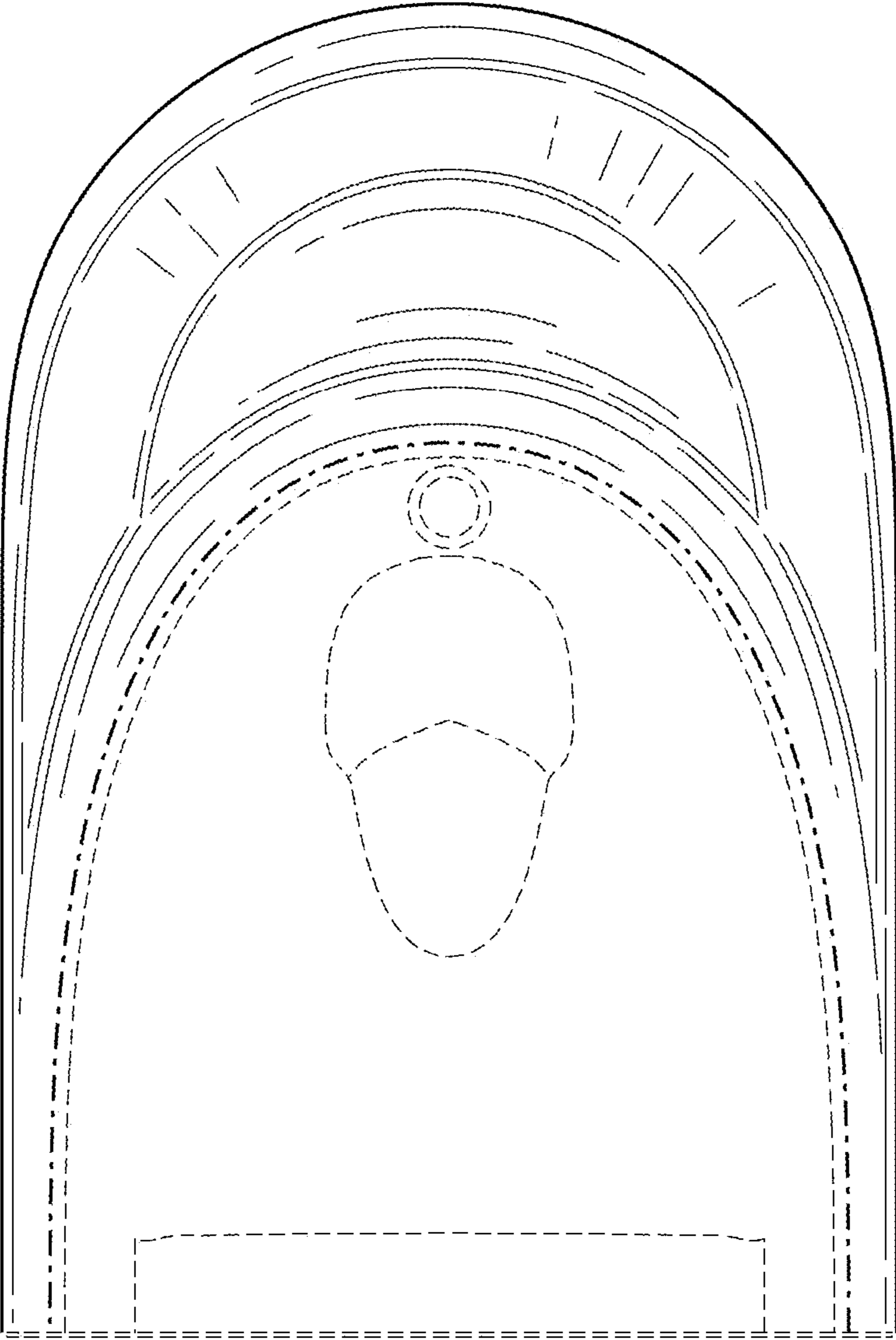


FIG. 7