



US00D913458S

(12) **United States Design Patent**  
**Kergoët**

(10) **Patent No.:** **US D913,458 S**

(45) **Date of Patent:** **\*\* Mar. 16, 2021**

(54) **BIDET**

(71) Applicant: **Kohler Co.**, Kohler, WI (US)

(72) Inventor: **François Kergoët**, Malakoff (FR)

(73) Assignee: **KOHLER CO.**, Kohler, WI (US)

(\*\*) Term: **15 Years**

(21) Appl. No.: **29/648,007**

(22) Filed: **May 17, 2018**

(51) **LOC (13) Cl.** ..... **23-02**

(52) **U.S. Cl.**  
USPC ..... **D23/295**

(58) **Field of Classification Search**  
USPC ..... D23/295-303, 309, 311-313  
CPC ..... A47K 11/02; A47K 11/026; A47K 11/00;  
A47K 13/00; E03D 11/18; E03D 5/10;  
E03D 13/00  
See application file for complete search history.

(56) **References Cited**

**U.S. PATENT DOCUMENTS**

D226,910 S *	5/1973	Doman	.....	D23/295
D309,939 S	8/1990	Yvetot		
D349,156 S	7/1994	Kohler		
D354,341 S	1/1995	Kohler		
D379,217 S	5/1997	Kergoët		
D428,122 S *	7/2000	Garza	.....	D23/295
D445,884 S *	7/2001	Marshall	.....	D23/295
D455,202 S	4/2002	Soulier		
D455,477 S *	4/2002	Soulier	.....	D23/295
D496,444 S	9/2004	Kergoët		
D520,613 S *	5/2006	Soulier	.....	D23/295
D531,714 S	11/2006	Soulier		
D532,494 S *	11/2006	Mukai	.....	D23/301
D556,870 S *	12/2007	Lin	.....	D23/295
D556,872 S *	12/2007	Crowther	.....	D23/300
D596,276 S *	7/2009	Espinoza	.....	D23/300

D609,791 S *	2/2010	Cummings	.....	D23/300
D654,576 S *	2/2012	Cornille	.....	D23/300
D657,031 S	4/2012	Bickerstaffe		
D667,941 S *	9/2012	Bickerstaffe	.....	D23/295
D767,743 S	9/2016	Reid		
D782,634 S	3/2017	Reid		
D796,652 S *	9/2017	Vish	.....	D23/300
D798,424 S	9/2017	Mesun		
D801,491 S	10/2017	Stevenson		

(Continued)

*Primary Examiner* — John A Voytek

(74) *Attorney, Agent, or Firm* — Foley & Lardner LLP

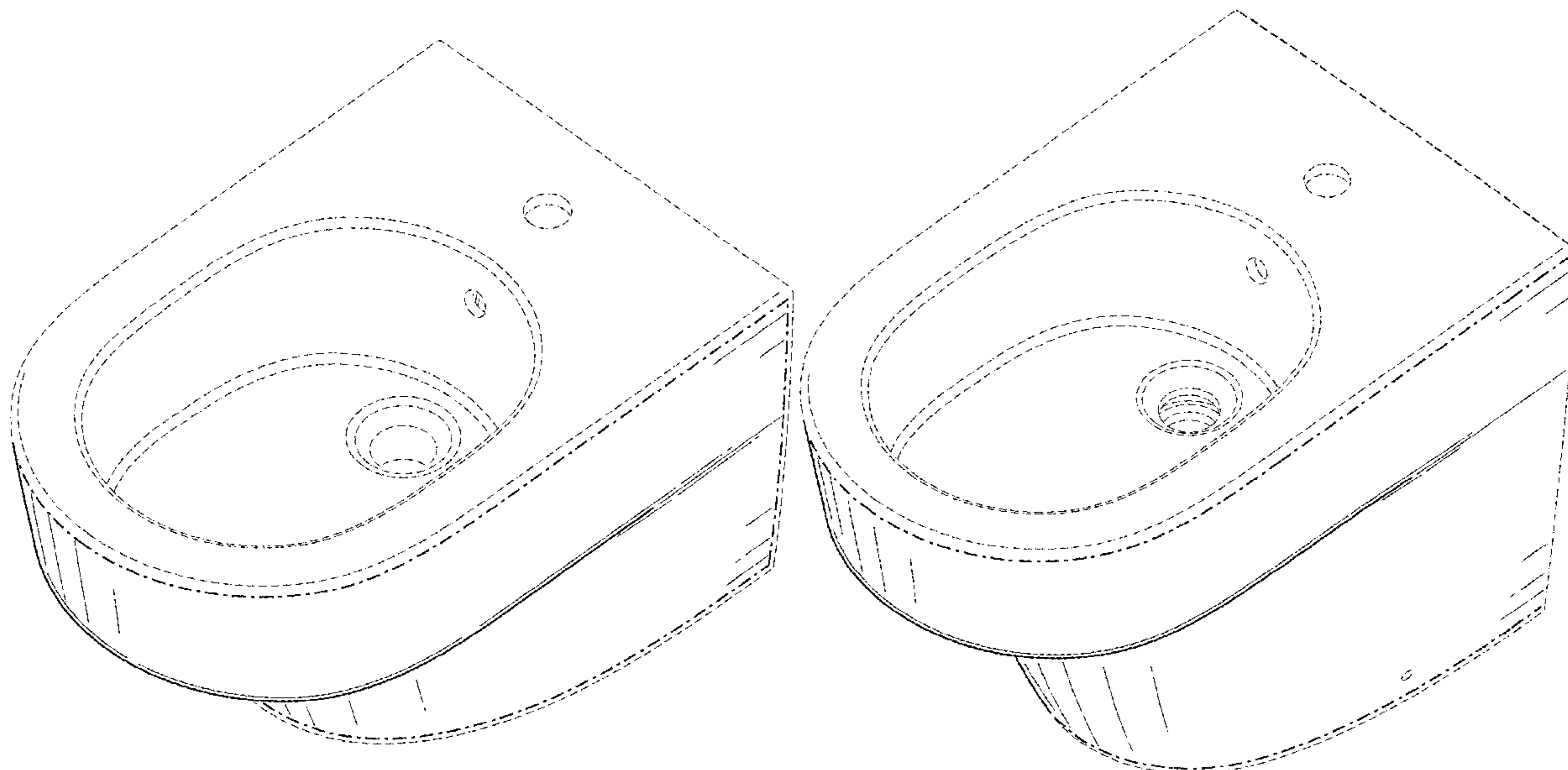
(57) **CLAIM**

I claim the ornamental design for a bidet, as shown and described.

**DESCRIPTION**

FIG. 1 is a perspective view of an embodiment of the claimed design;  
 FIG. 2 is a front view of the embodiment of FIG. 1;  
 FIG. 3 is a rear view of the embodiment of FIG. 1;  
 FIG. 4 is a side view of the embodiment of FIG. 1;  
 FIG. 5 is another side view of the embodiment of FIG. 1;  
 FIG. 6 is a top view of the embodiment of FIG. 1;  
 FIG. 7 is a bottom view of the embodiment of FIG. 1;  
 FIG. 8 is a perspective view of another embodiment of the claimed design;  
 FIG. 9 is a front view of the embodiment of FIG. 8;  
 FIG. 10 is a rear view of the embodiment of FIG. 8;  
 FIG. 11 is a side view of the embodiment of FIG. 8;  
 FIG. 12 is another side view of the embodiment of FIG. 8;  
 FIG. 13 is a top view of the embodiment of FIG. 8; and,  
 FIG. 14 is a bottom view of the embodiment of FIG. 8.  
 Broken lines in the drawings show portions of the bidet that form no part of the claimed design. Broken lines formed of unequal length dashes (i.e., dash-dot) define bounds of the bidet and form no part of the claimed design.

**1 Claim, 12 Drawing Sheets**



(56)

**References Cited**

U.S. PATENT DOCUMENTS

D802,105 S 11/2017 Stevenson  
D802,106 S 11/2017 Stevenson

\* cited by examiner

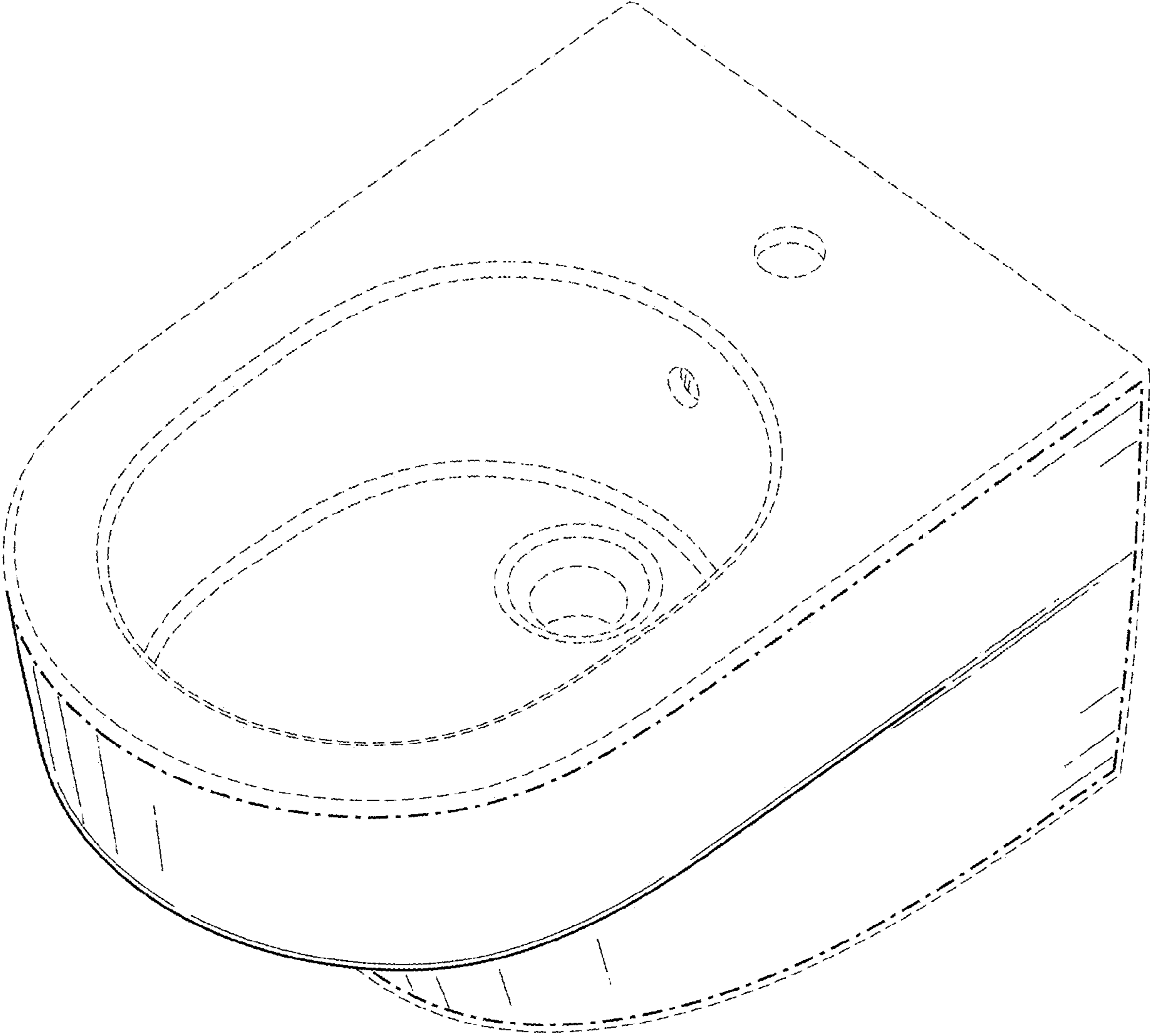


FIG. 1

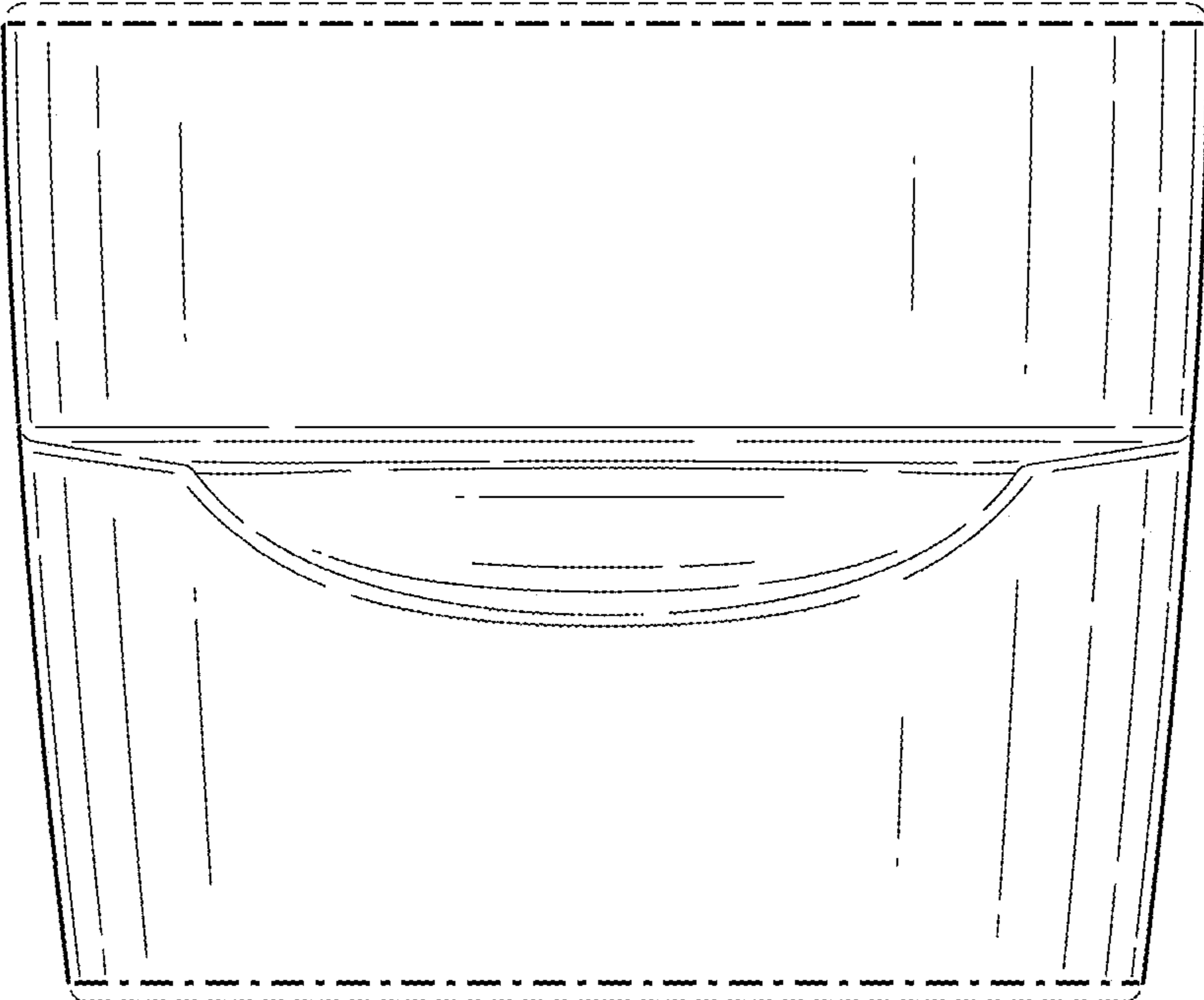


FIG. 2

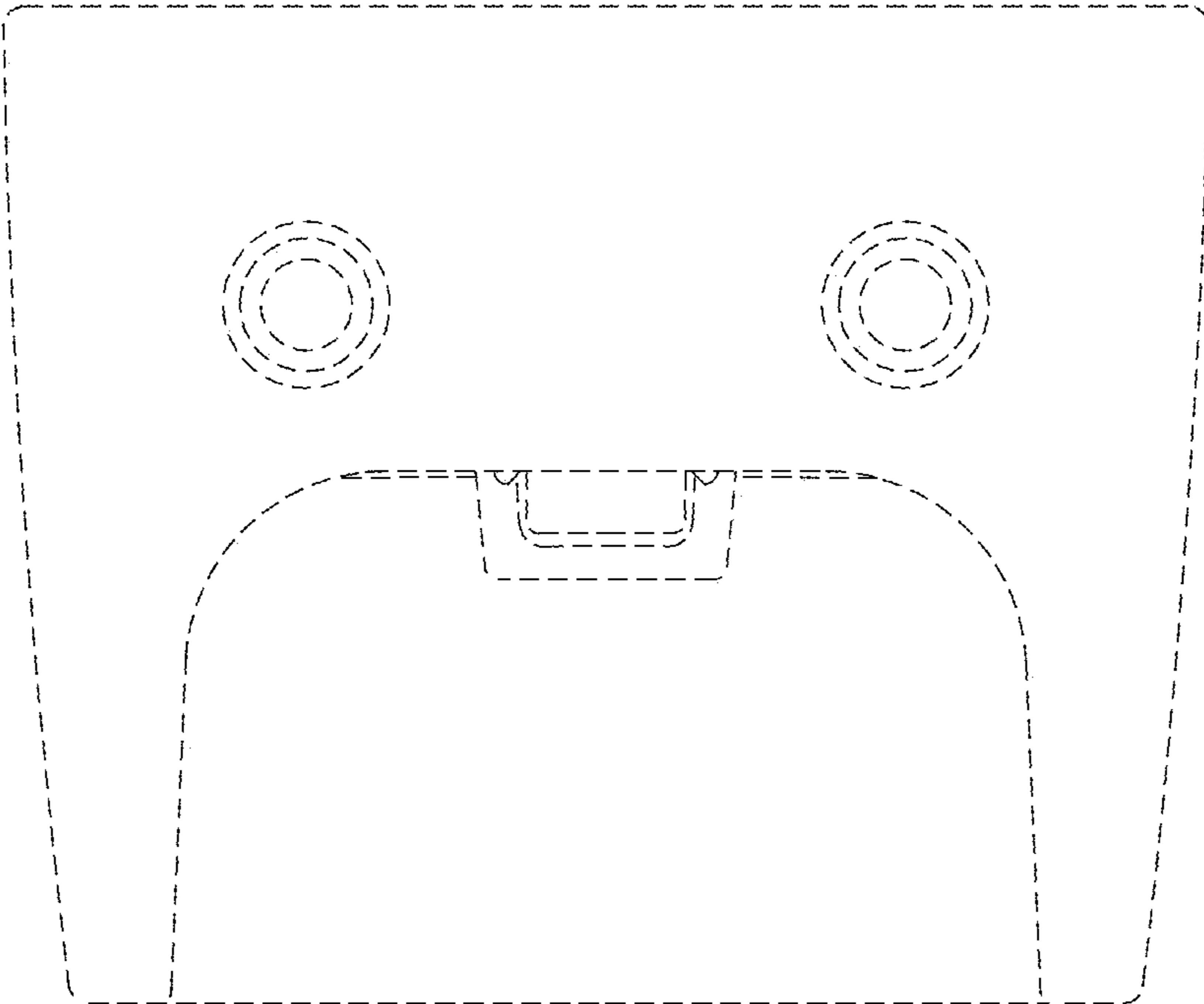


FIG. 3

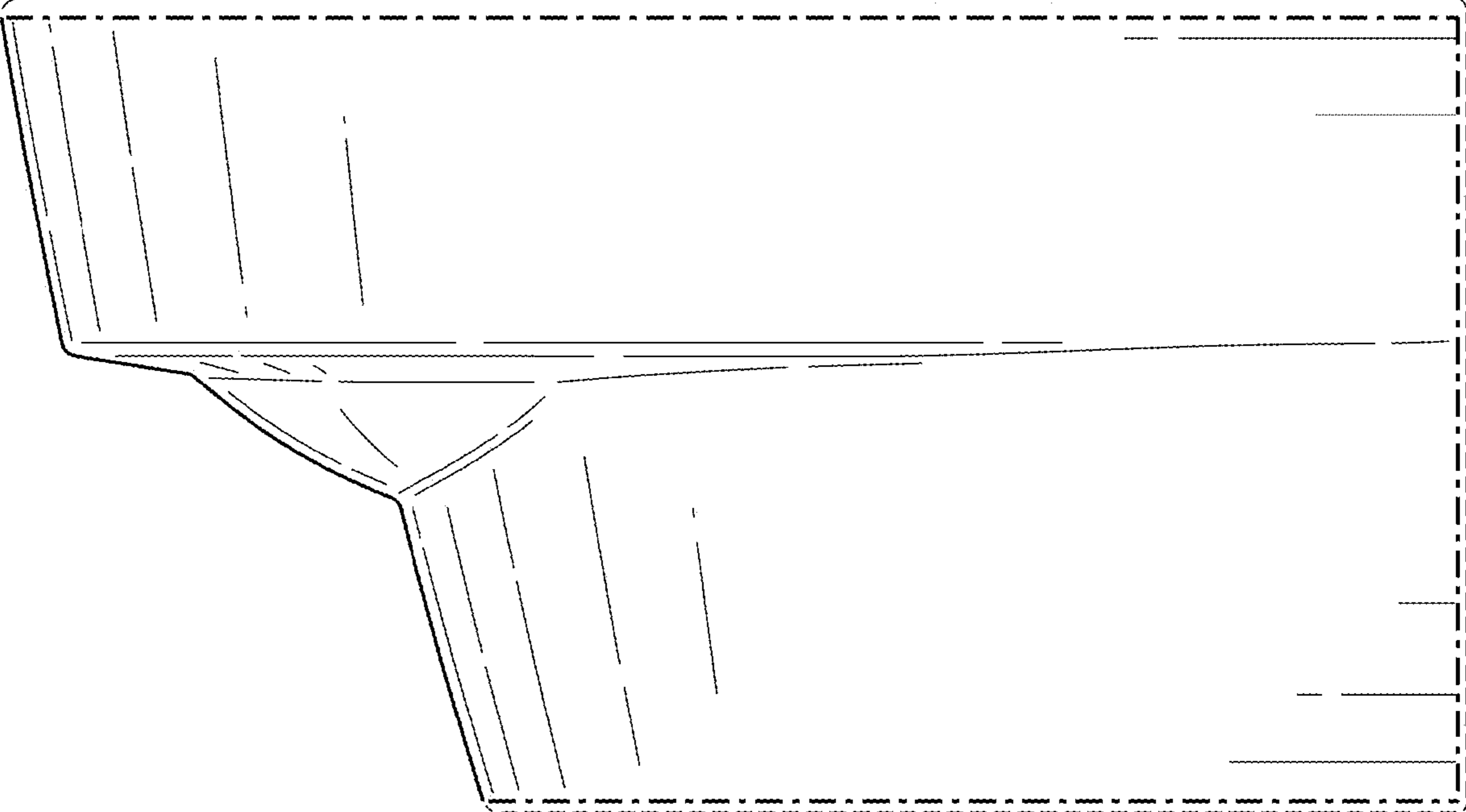


FIG. 4

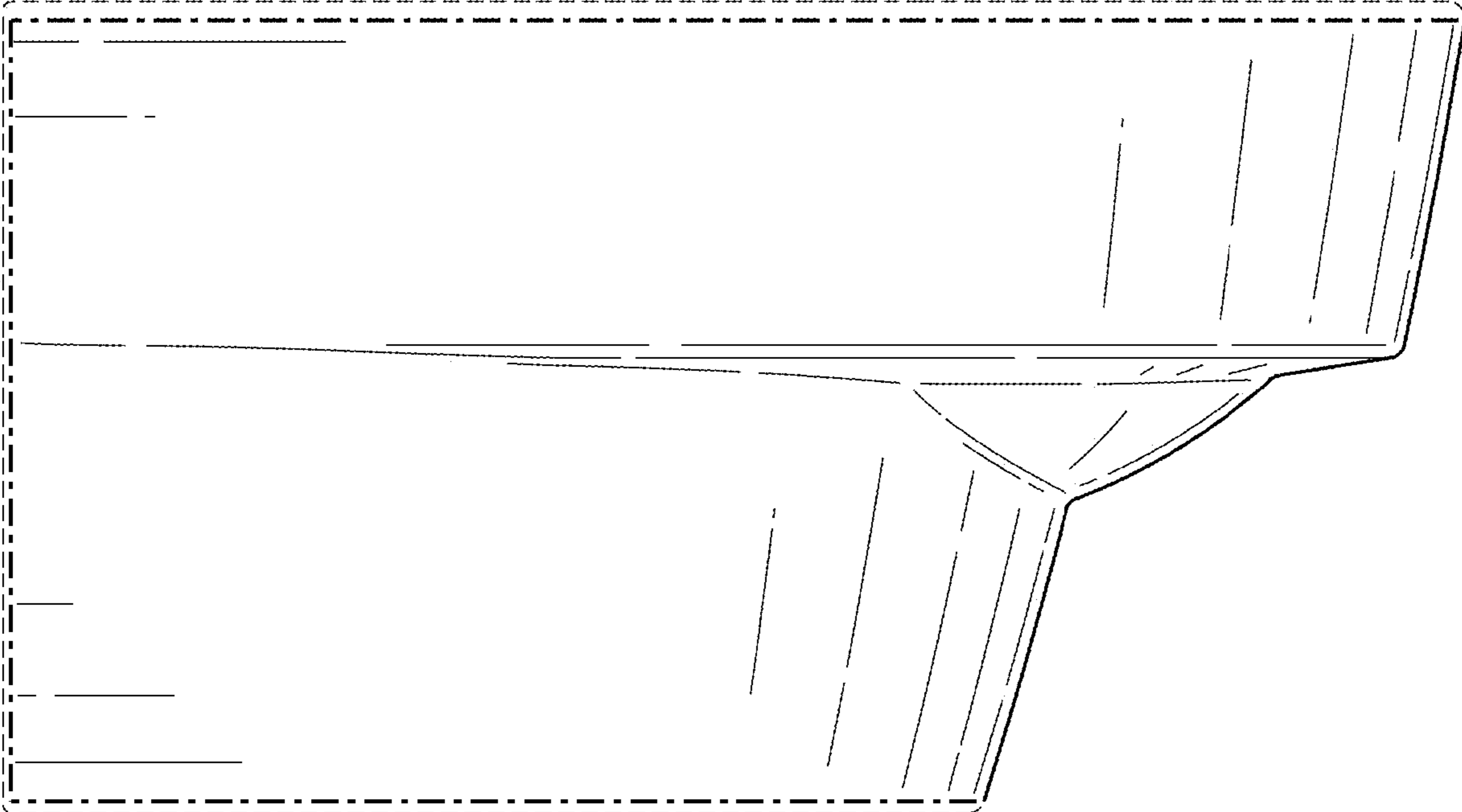


FIG. 5

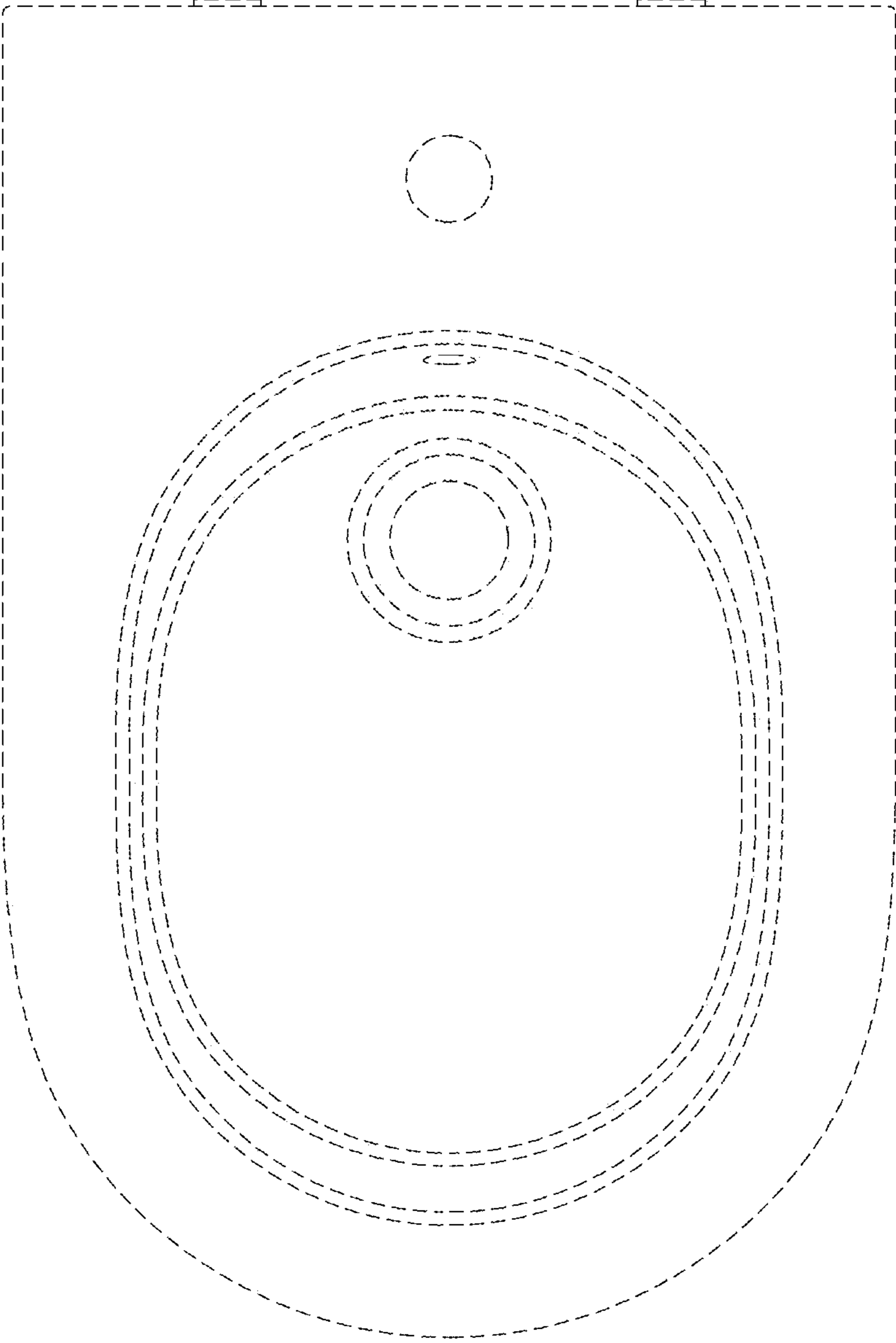


FIG. 6

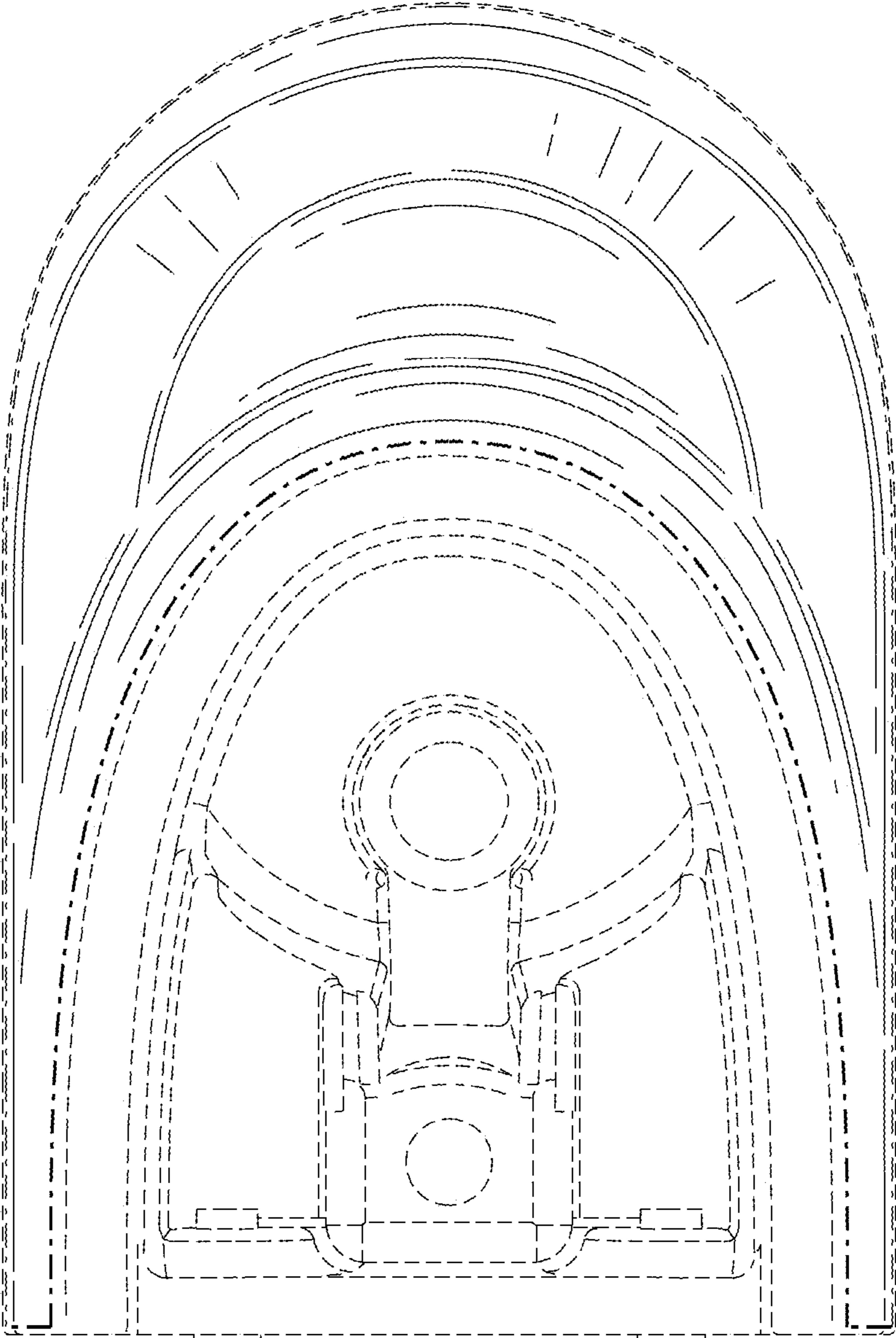


FIG. 7

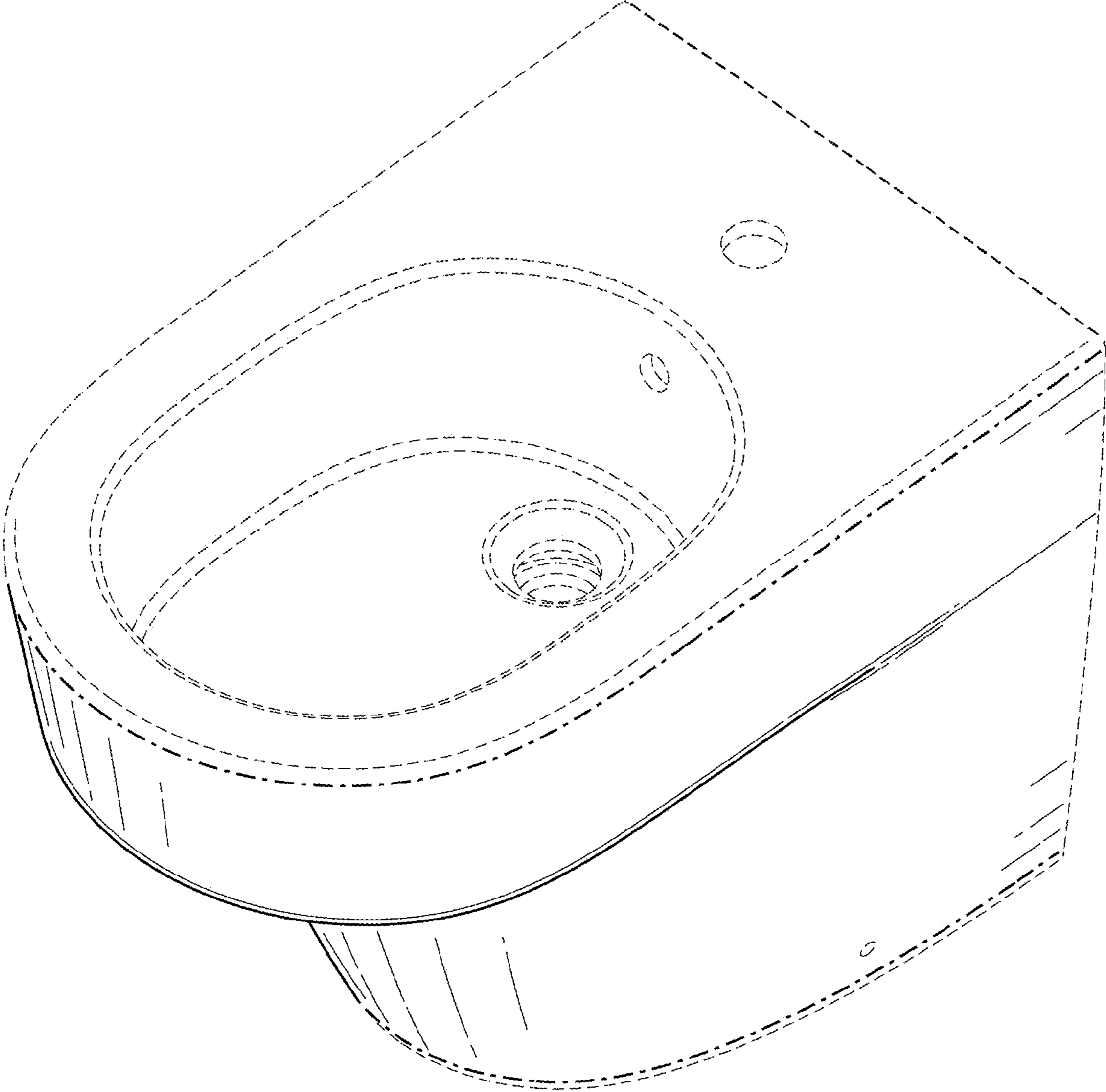


FIG. 8



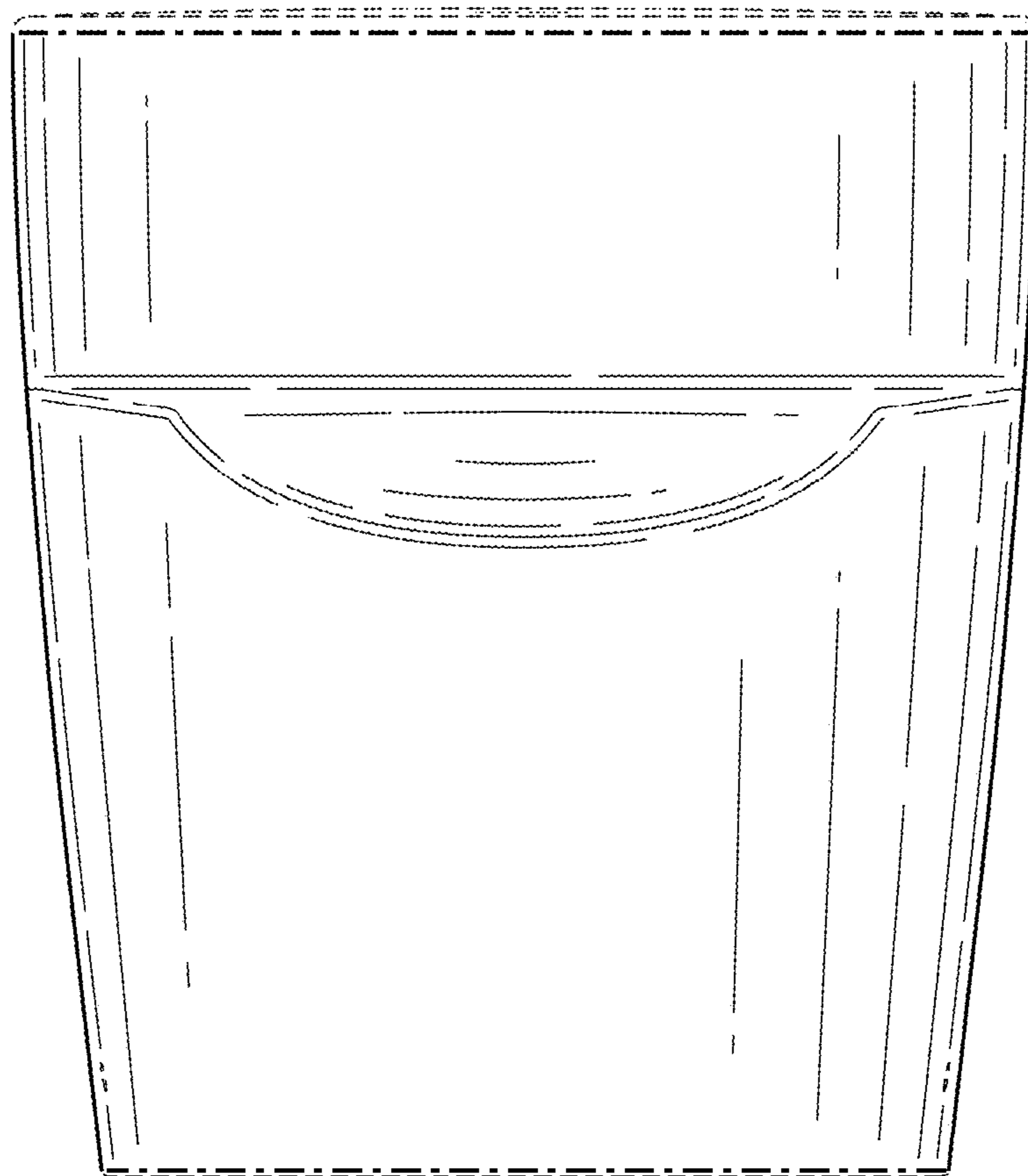


FIG. 9

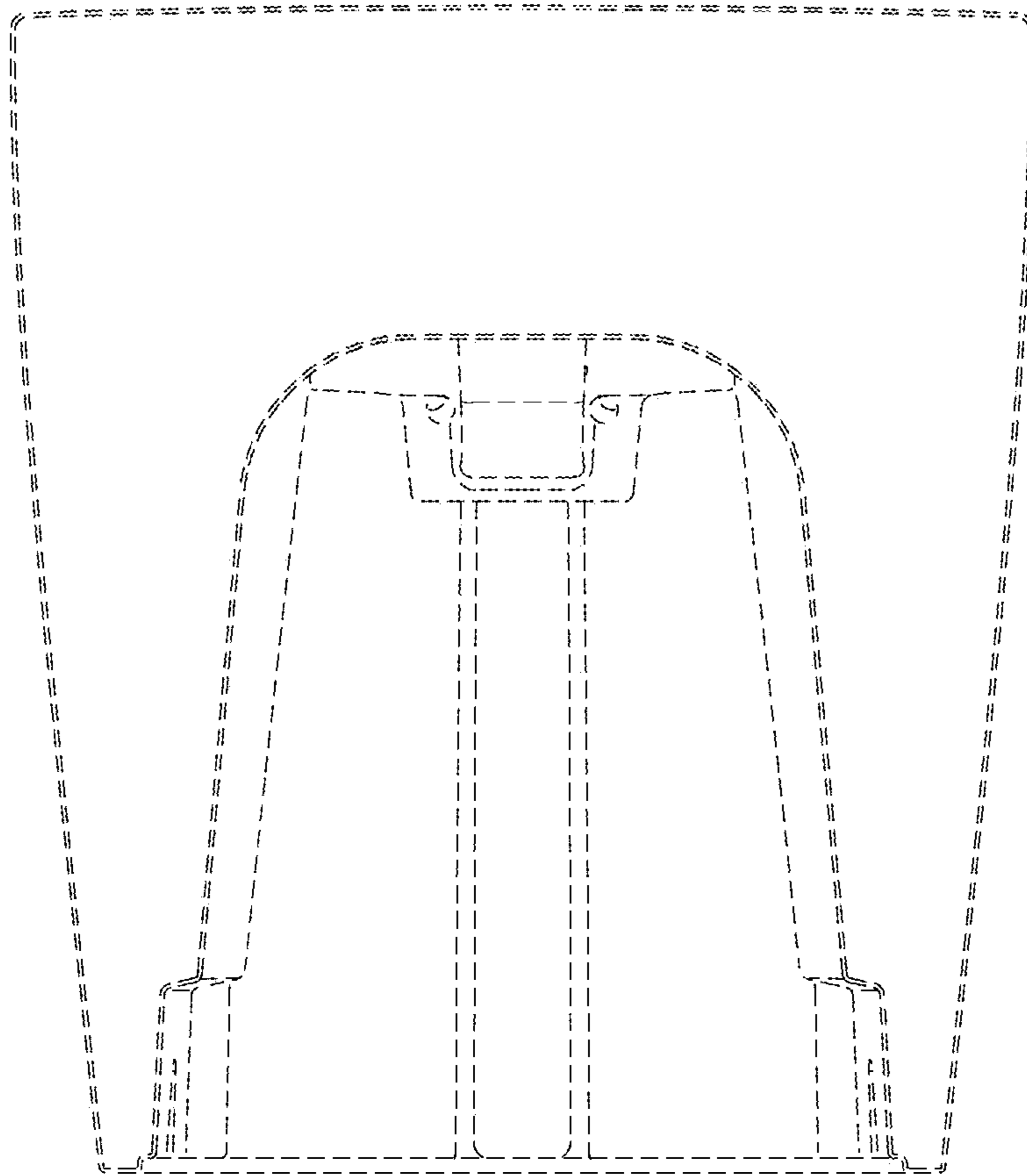


FIG. 10

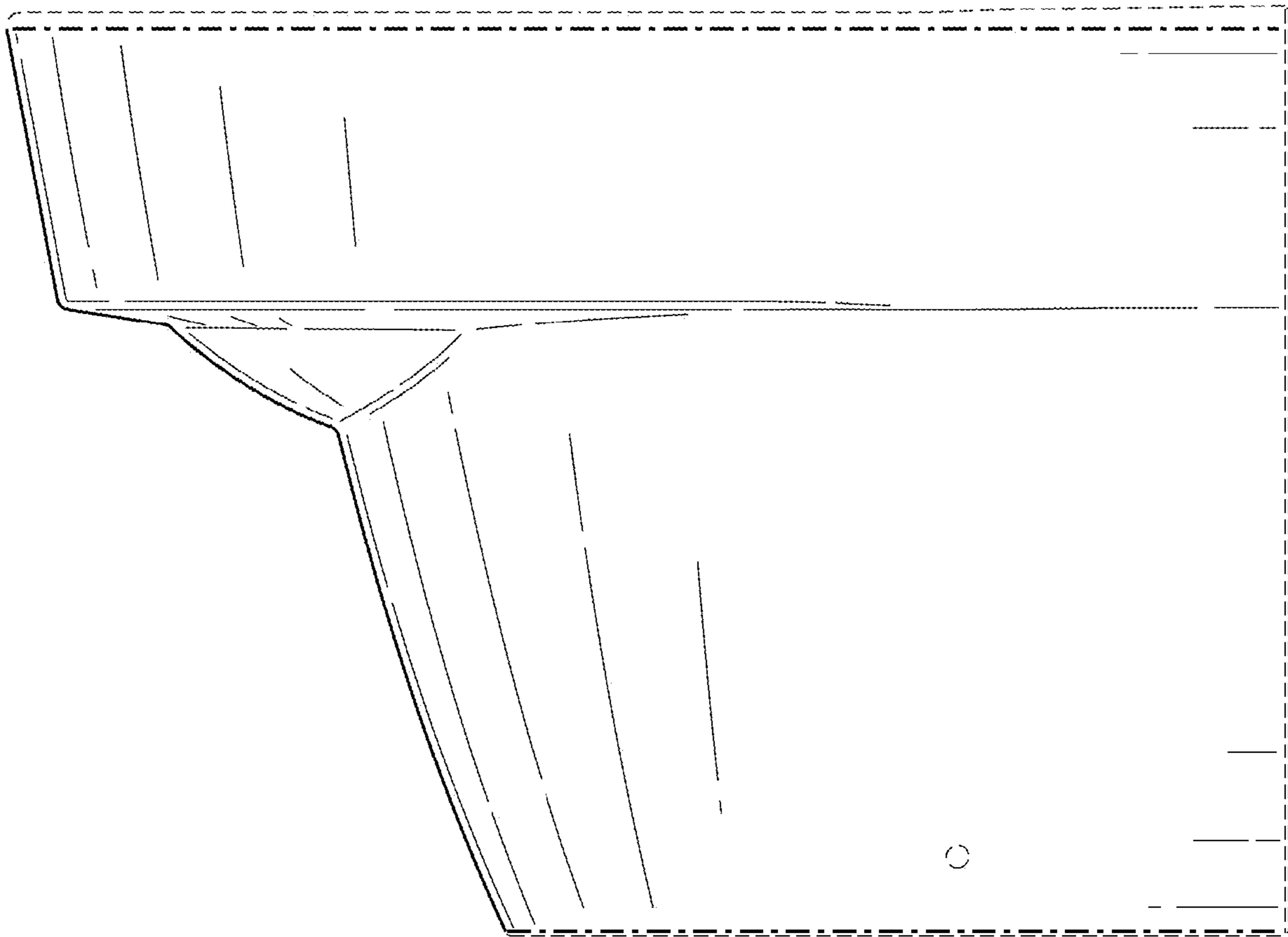


FIG. 11

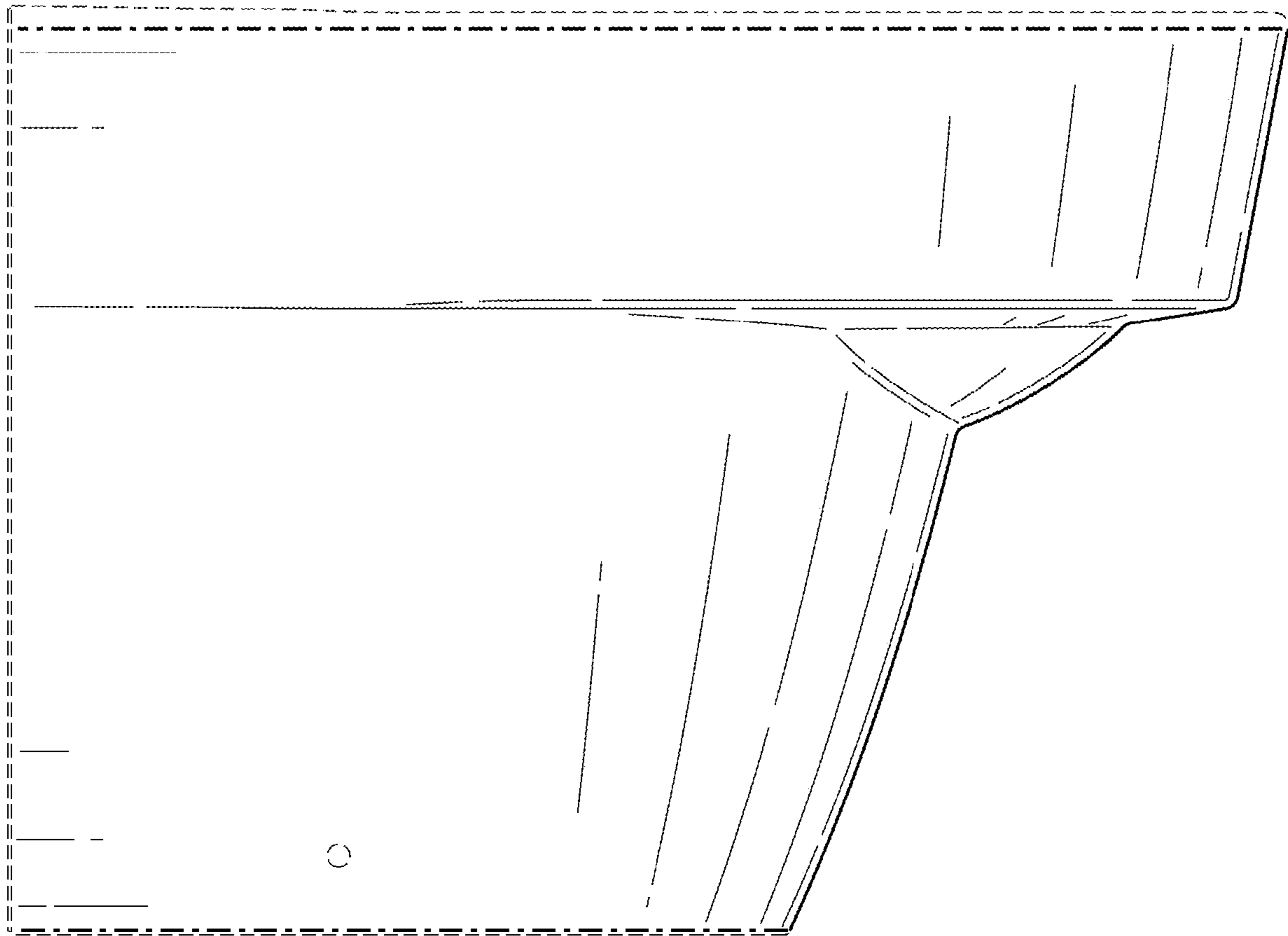


FIG. 12

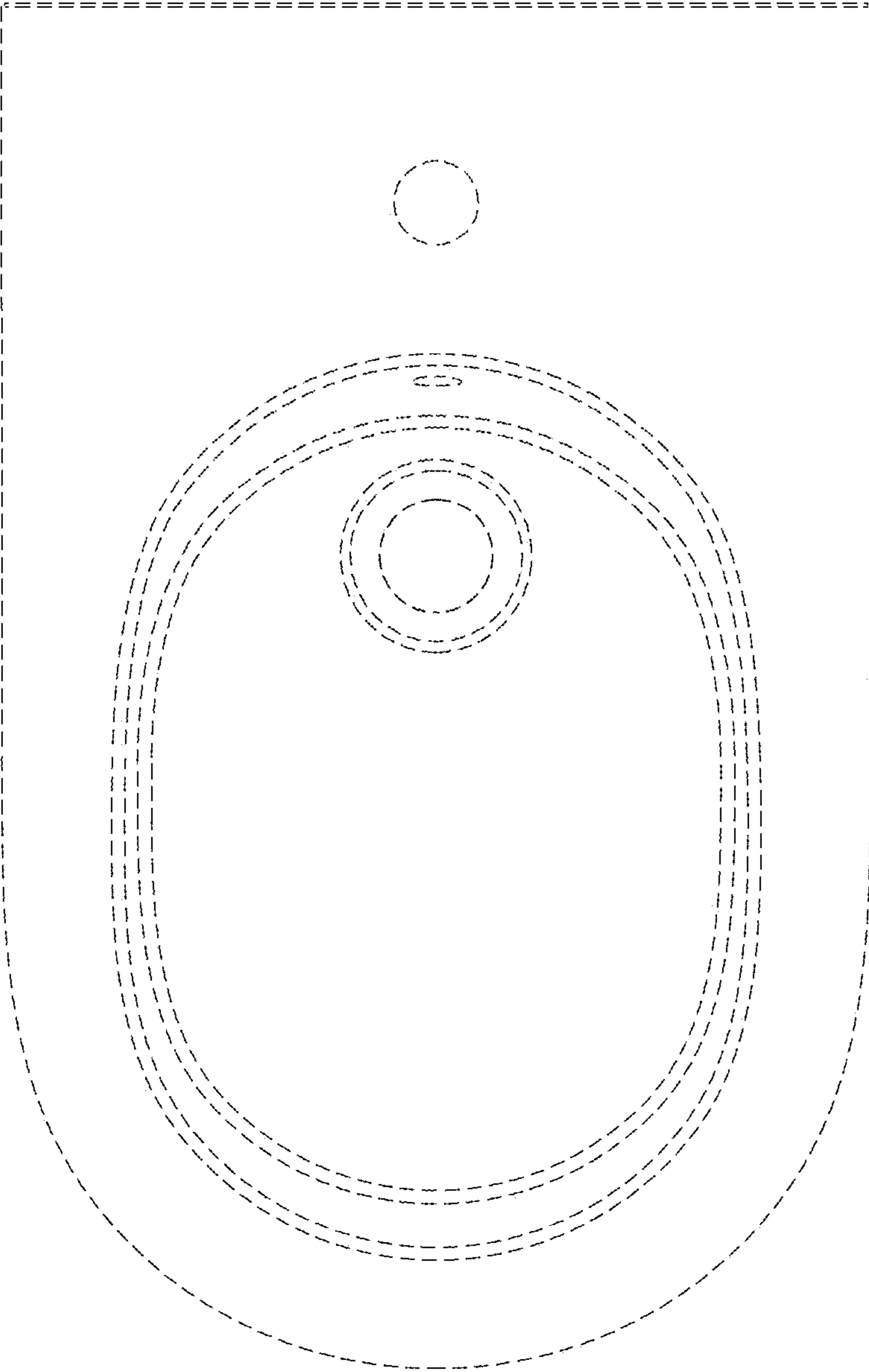


FIG. 13

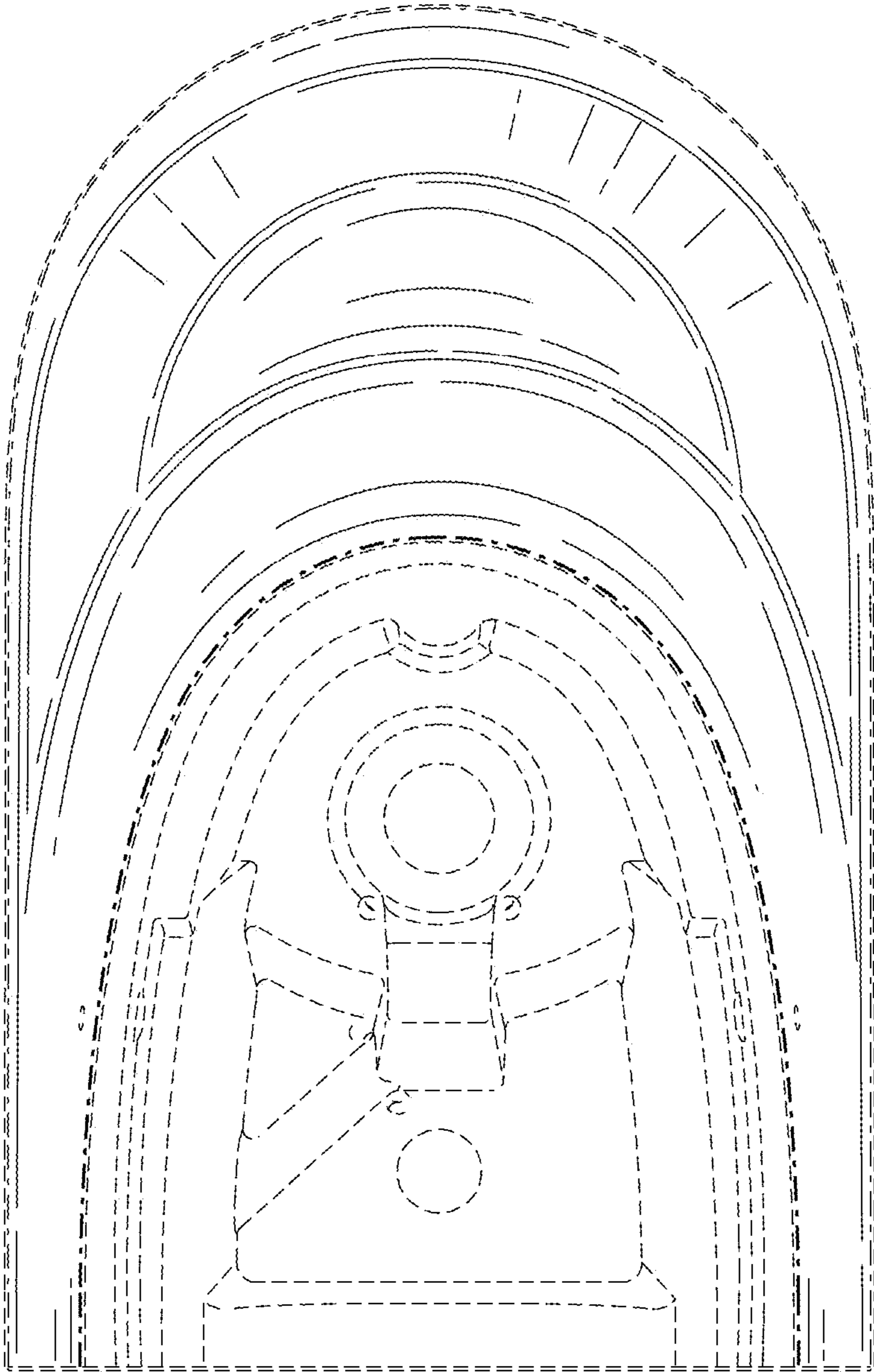


FIG. 14