



US00D913457S

(12) **United States Design Patent** (10) **Patent No.:** **US D913,457 S**
Haas et al. (45) **Date of Patent:** **** Mar. 16, 2021**

(54) **LAVATORY BASIN**
(71) Applicant: **Bradley Corporation**, Menomonee Falls, WI (US)
(72) Inventors: **William L. Haas**, Richfield, WI (US); **Scott Thorne**, Chicago, IL (US); **Holly Prouty**, Seattle, WA (US); **Hyunchul Kim**, Chicago, IL (US); **Cassandra Schneider**, Oconomowoc, WI (US)
(73) Assignee: **Bradley Corporation**, Menomonee Falls, WI (US)
(**) Term: **15 Years**
(21) Appl. No.: **29/624,787**
(22) Filed: **Nov. 3, 2017**
(51) **LOC (13) Cl.** **23-02**
(52) **U.S. Cl.**
USPC **D23/290**
(58) **Field of Classification Search**
USPC D23/284, 287-292, 293.1, 303, 308;
D9/425; D8/1; D11/155, 156; D3/304
CPC A47K 1/04; A47B 77/06; A47J 47/20
See application file for complete search history.

D735,838 S * 8/2015 Bartlett D23/290
9,157,223 B2 10/2015 Kempen et al.
D803,996 S * 11/2017 Brandli D23/293.1
D809,634 S * 2/2018 Brandli D23/284
D813,996 S * 3/2018 Wieser D23/284
D823,445 S * 7/2018 Adkison D23/290
D823,996 S * 7/2018 Murray D23/308

OTHER PUBLICATIONS

Zurn Industries, LLC, The Sundara Handwashing System brochure; 20 pages.

* cited by examiner

Primary Examiner — John A Voytek

(74) *Attorney, Agent, or Firm* — Boyle Fredrickson, S.C.

(57) **CLAIM**

The ornamental design for a lavatory basin, substantially as shown and described.

DESCRIPTION

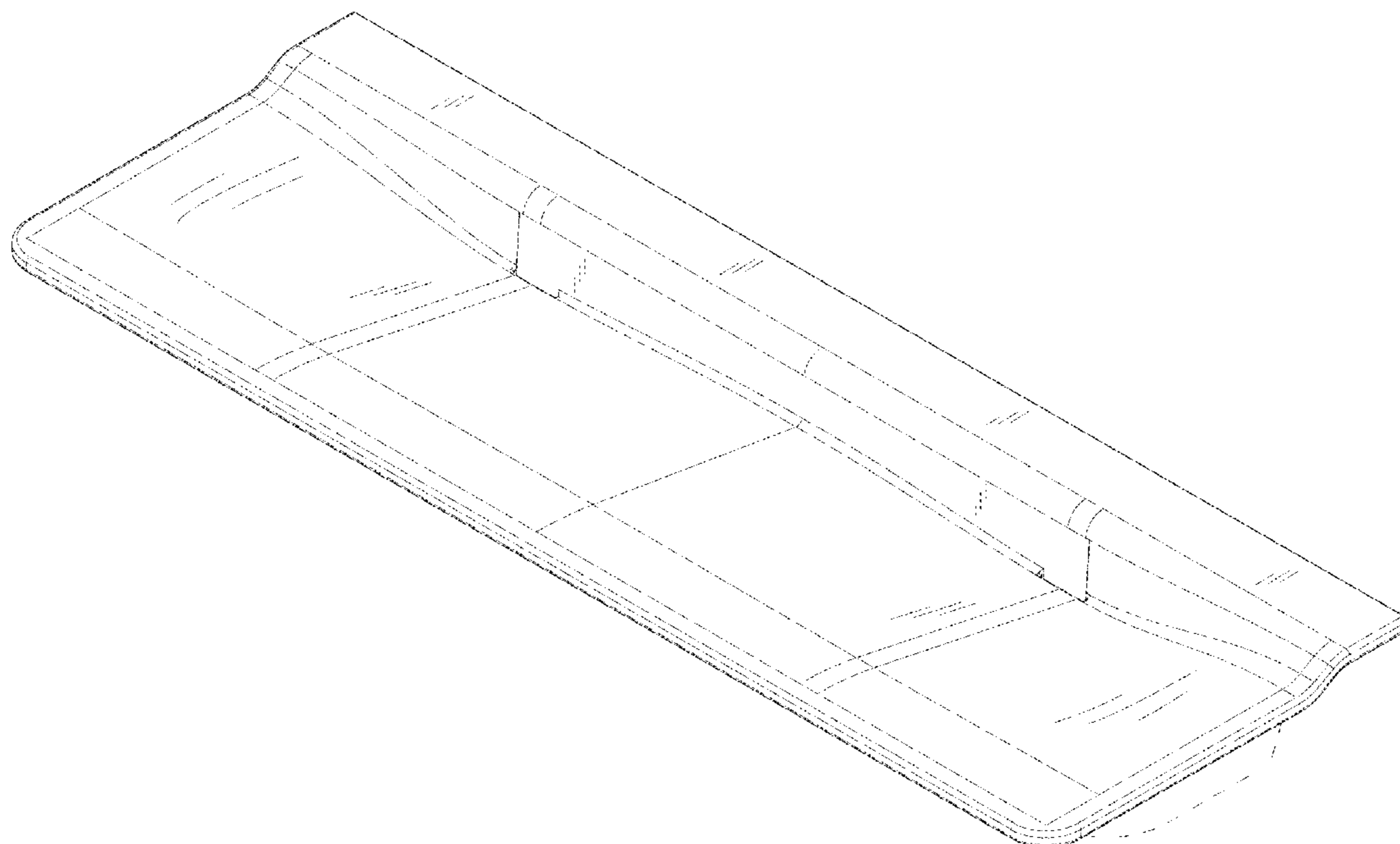
FIG. 1 is a front, raised perspective view of a lavatory basin according to the invention;
FIG. 2 is a front view of the lavatory basin according to FIG. 1;
FIG. 3 is a rear view of the lavatory basin according to FIG. 1;
FIG. 4 is top view of the lavatory basin according to FIG. 1;
FIG. 5 is a bottom view of the lavatory basin according to FIG. 1;
FIG. 6 is a right side view of the lavatory basin according to FIG. 1; and,
FIG. 7 is a left side view of the lavatory basin according to FIG. 1.
The broken-lines in the drawings show portions of the lavatory basin that form no part of the claimed design.

1 Claim, 7 Drawing Sheets

(56) **References Cited**

U.S. PATENT DOCUMENTS

D538,905 S * 3/2007 Wano D23/293.1
D598,081 S * 8/2009 Soulier D23/284
D629,877 S * 12/2010 Rundberg D23/308
D687,530 S 8/2013 McGuire et al.
D691,247 S * 10/2013 McGuire D23/308
D691,248 S 10/2013 McGuire et al.
D721,426 S * 1/2015 Bartlett D23/290
D735,837 S 8/2015 Bartlett et al.



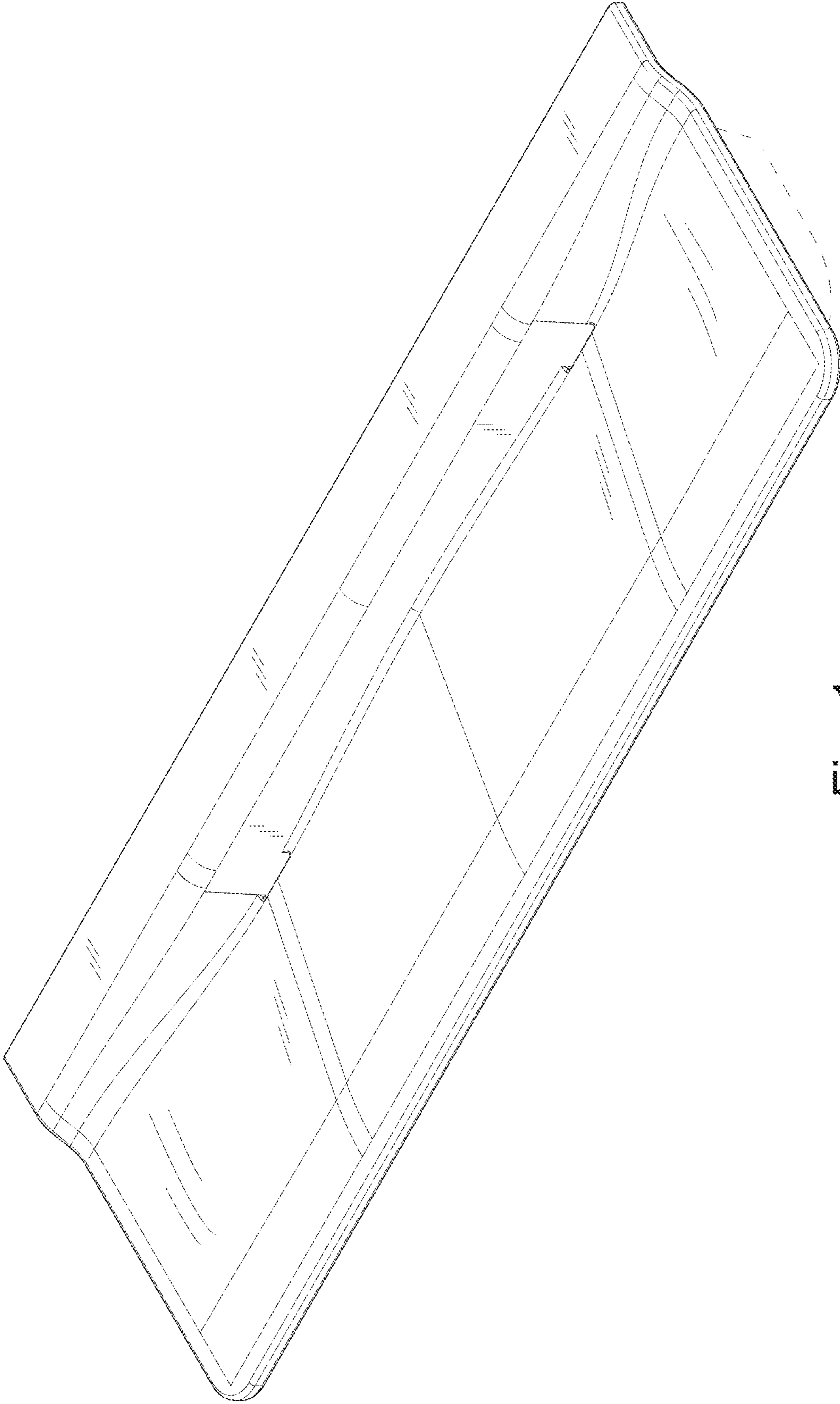


Fig. 1

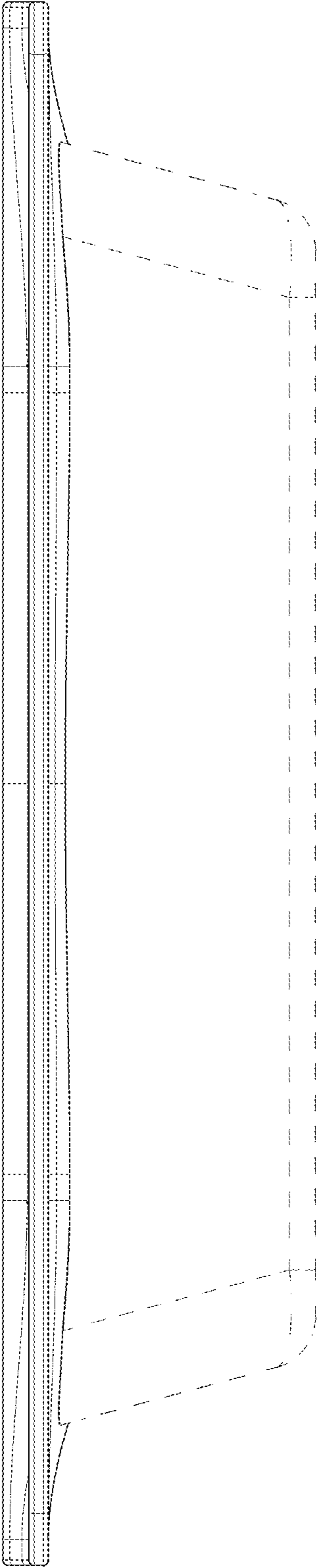


Fig. 2

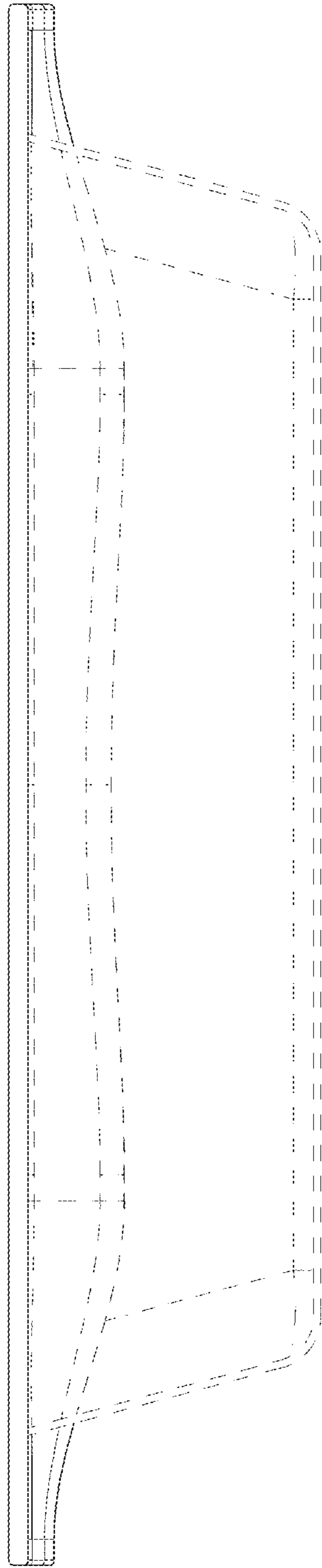


Fig. 3

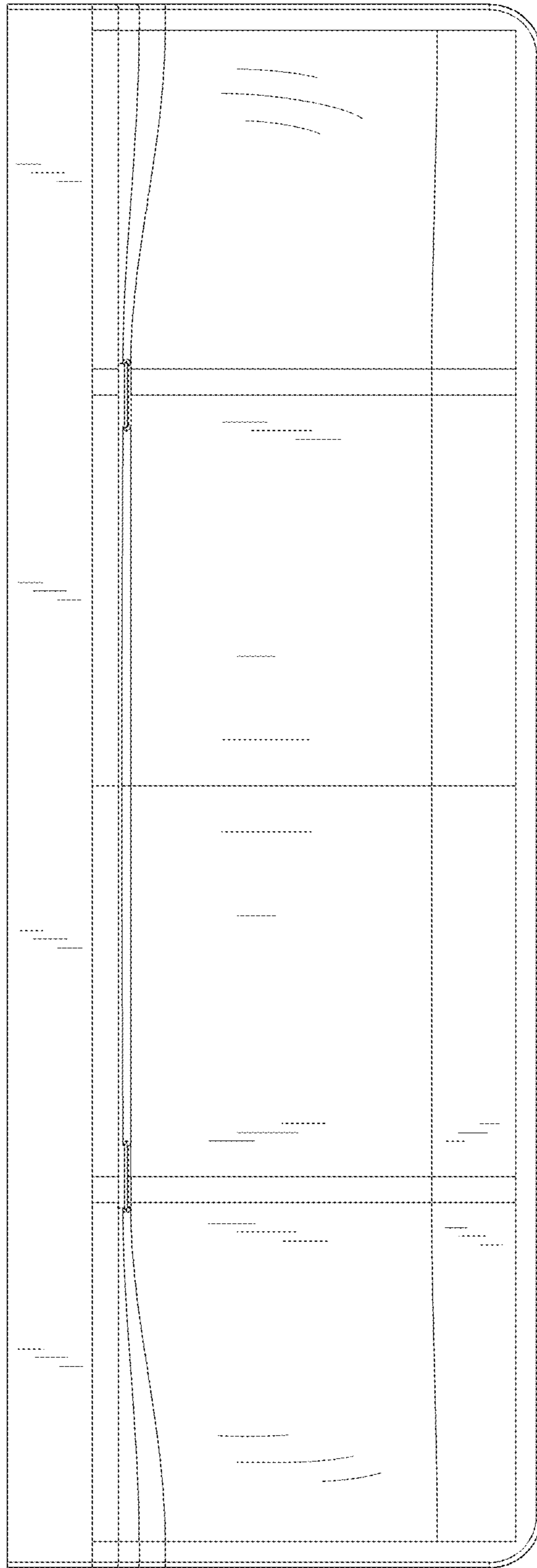


Fig. 4

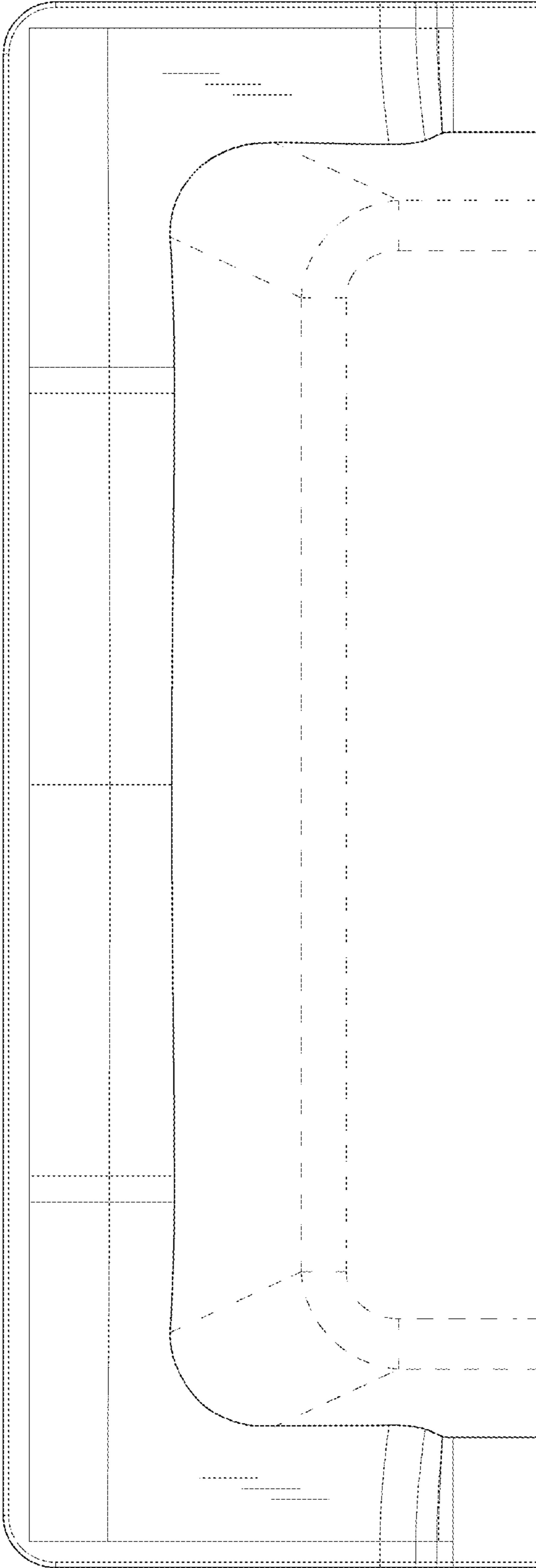


Fig. 5

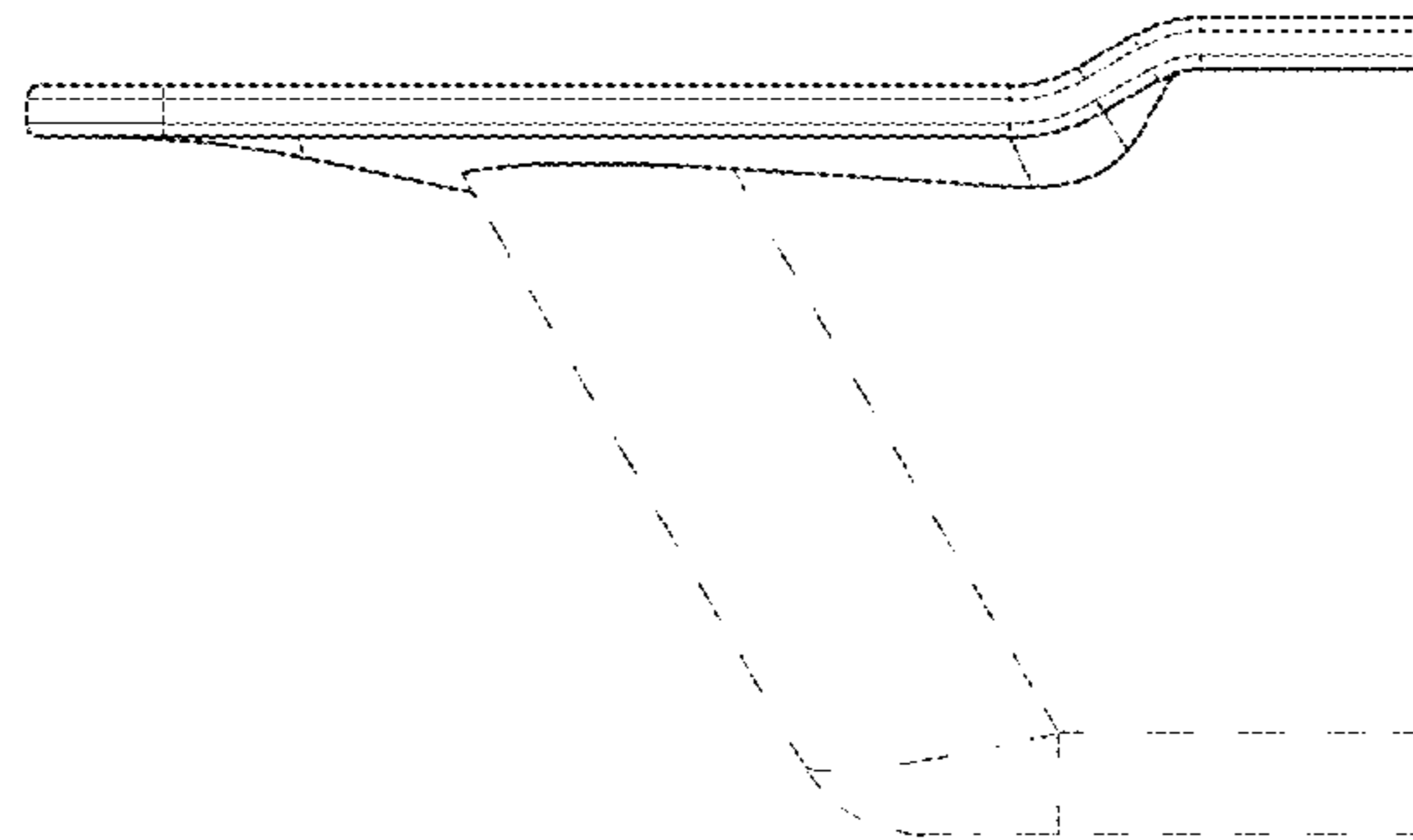


Fig. 6

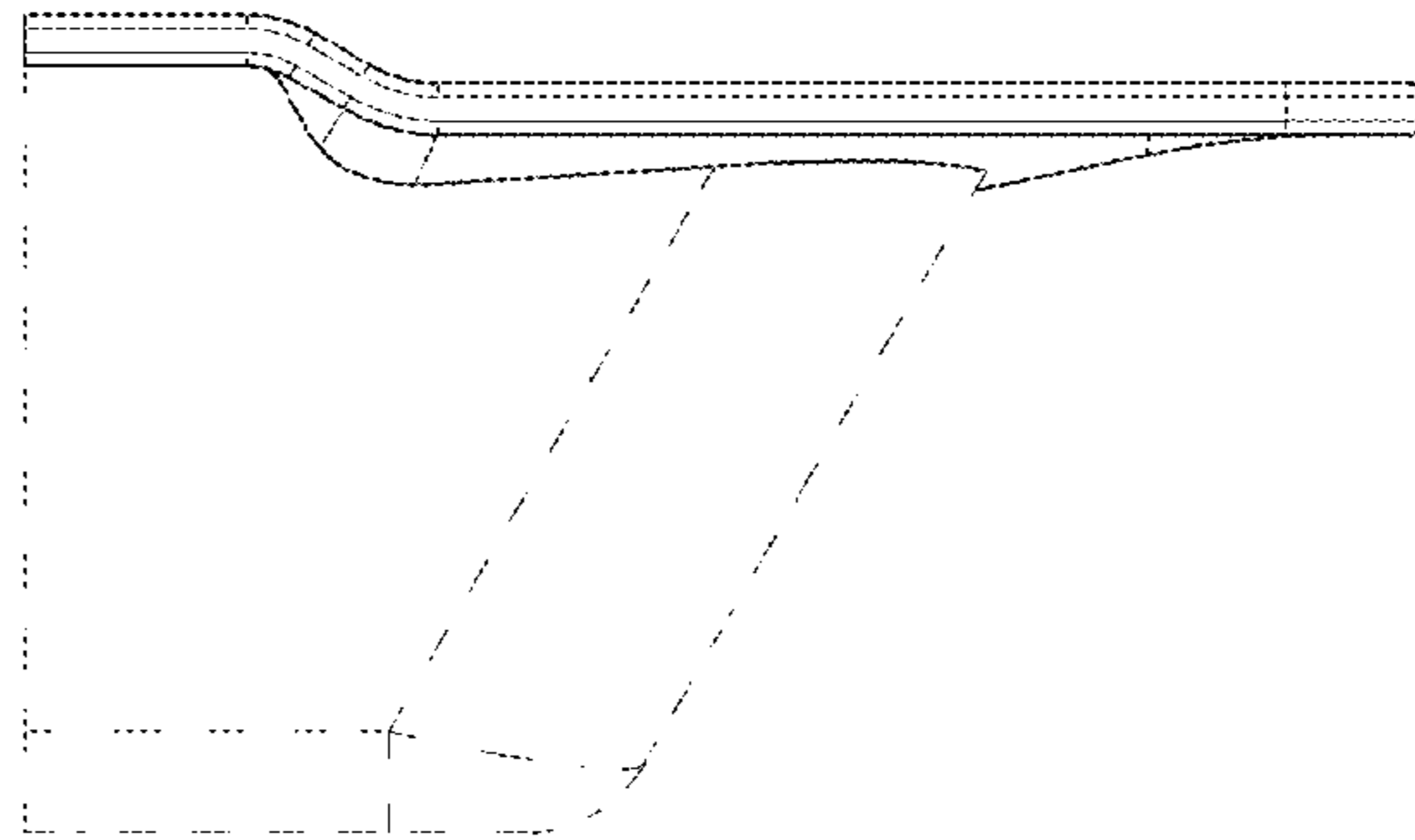


Fig. 7