



US00D913456S

(12) **United States Design Patent**
Manz

(10) **Patent No.:** **US D913,456 S**
(45) **Date of Patent:** **** Mar. 16, 2021**

(54) **BATHTUB**

D815,717 S * 4/2018 Urquiola Hidalgo D23/293.1
D827,789 S * 9/2018 Bowen D23/277
D827,791 S * 9/2018 Bowen D23/277

(71) Applicant: **Duravit Aktiengesellschaft**, Hornberg
(DE)

(72) Inventor: **Cecilie Manz**, Copenhagen (DK)

(73) Assignee: **Duravit Aktiengesellschaft**, Hornberg
(DE)

(**) Term: **15 Years**

(21) Appl. No.: **29/613,985**

(22) Filed: **Aug. 15, 2017**

(30) **Foreign Application Priority Data**

Feb. 15, 2017 (WO) DM/095253

(51) **LOC (13) Cl.** **23-02**

(52) **U.S. Cl.**
USPC **D23/280.1**

(58) **Field of Classification Search**
USPC ... D23/277-279, 280.1, 280.2, 280.3, 280.4,
D23/304-307

CPC A47K 3/006; A47K 3/02; A47K 3/022;
E05C 9/16

See application file for complete search history.

(56) **References Cited**

U.S. PATENT DOCUMENTS

D451,986 S * 12/2001 Marshall D23/280.1
D470,579 S * 2/2003 Foster D23/280.1
D473,634 S * 4/2003 Foster D23/277
D483,099 S * 12/2003 Shimizu D23/280.2
D484,955 S * 1/2004 Shimizu D23/277
D615,167 S * 5/2010 Schonherr D23/277
D637,699 S * 5/2011 Messier D23/277
D724,706 S * 3/2015 Meneghello D23/277

OTHER PUBLICATIONS

Duravit Oval Form Freestanding Tub reference [Jan. 14, 2019]
found online [Jan. 14, 2019]—<https://www.duravit.us/products/bathing/bathtubs.us-en.html#article-1396870109479>.*

Anzzi Sabbia Freestanding Bathtub [Aug. 12, 2016] (Customer
Review) found online [Jul. 1, 2019]—<https://www.homedepot.com/p/ANZZI-Sabbia-5-9-ft-Man-Made-Stone-Classic-Flatbottom-Non-Whirlpool-Bathtub-in-Matte-White-and-Sol-Faucet-in-Chrome-FT511-0027/206951955>.*

* cited by examiner

Primary Examiner — John A Voytek

(74) *Attorney, Agent, or Firm* — Florek & Endres PLLC

(57) **CLAIM**

I claim the ornamental design for a bathtub, as shown and
described.

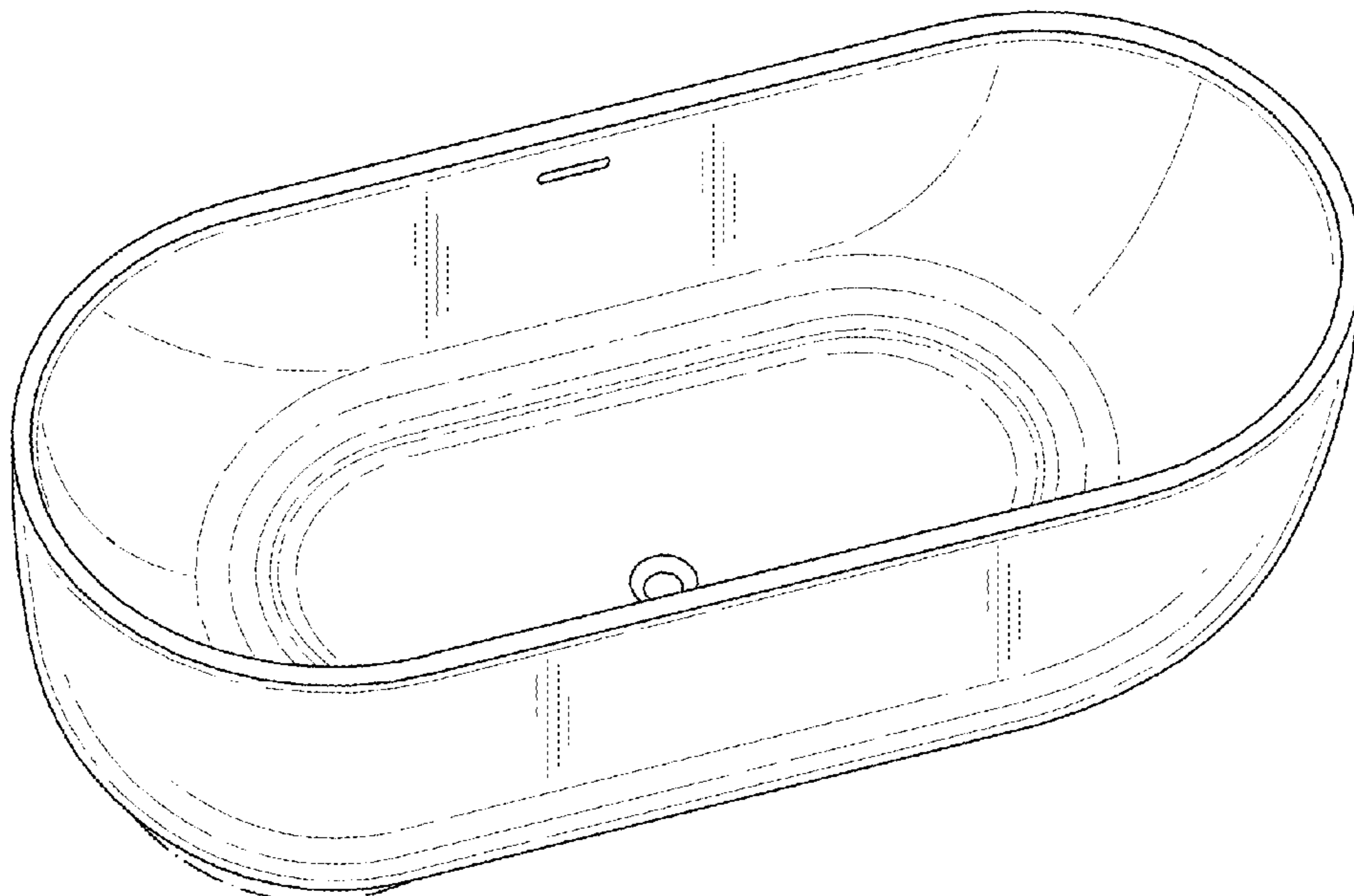
DESCRIPTION

FIG. 1 is a downward perspective view of a bathtub.
FIG. 2 is a forward perspective view of a bathtub.
FIG. 3 is a top plan view of a bathtub.
FIG. 4 is a bottom plan view of a bathtub.
FIG. 5 is a front elevation and a rear elevation view of a
bathtub; and,
FIG. 6 is a right side and a left side elevation view of a
bathtub.

In the drawings, the broken lines depict portions of the
bathtub that form no part of the claimed design.

The boundary lines, comprising dash/dot lines in FIGS. 1, 2
and 4-6, indicate the area between claimed and unclaimed
portions of the bathtub and form no part of the claimed
design.

1 Claim, 3 Drawing Sheets



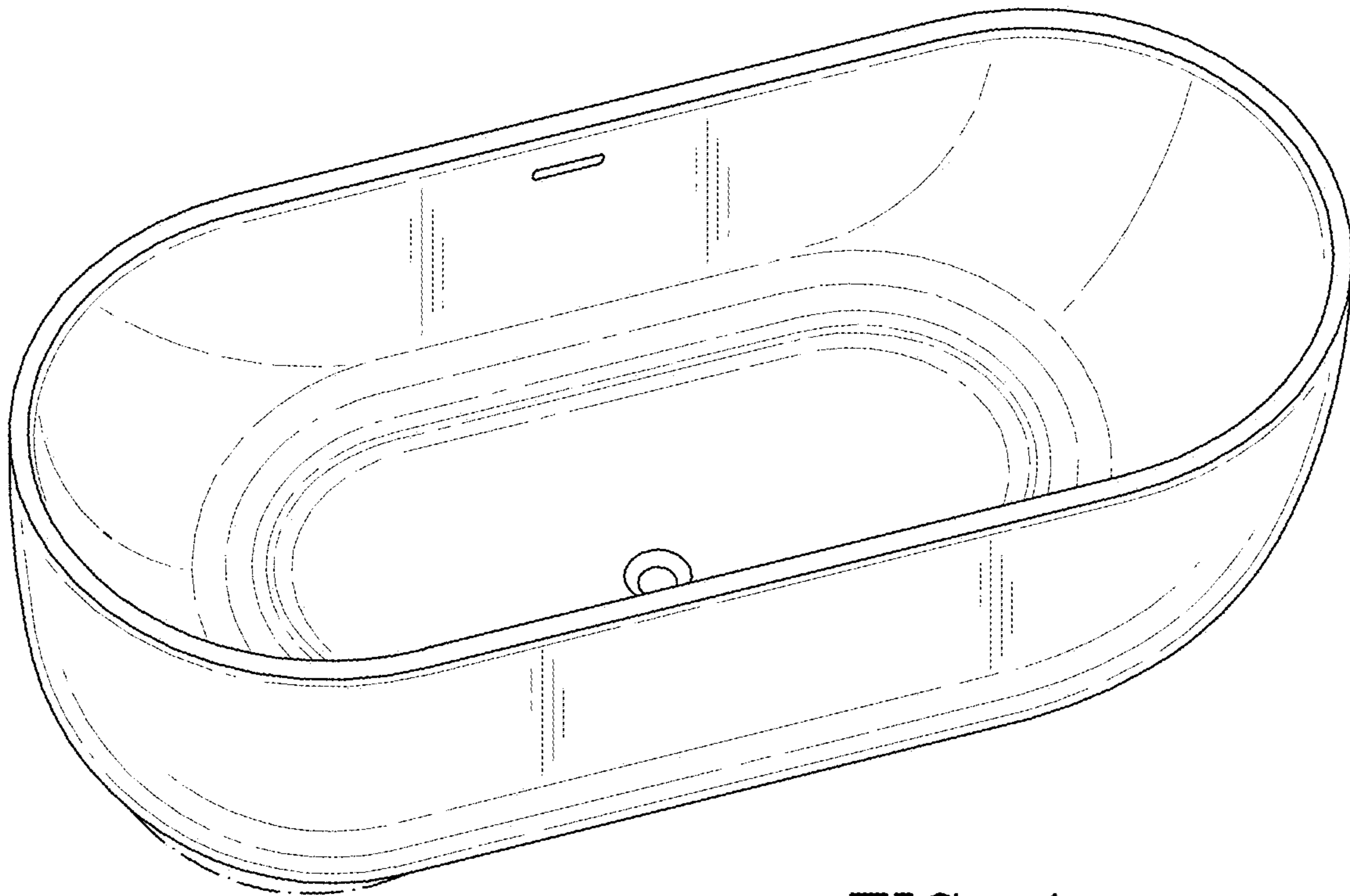


FIG. 1

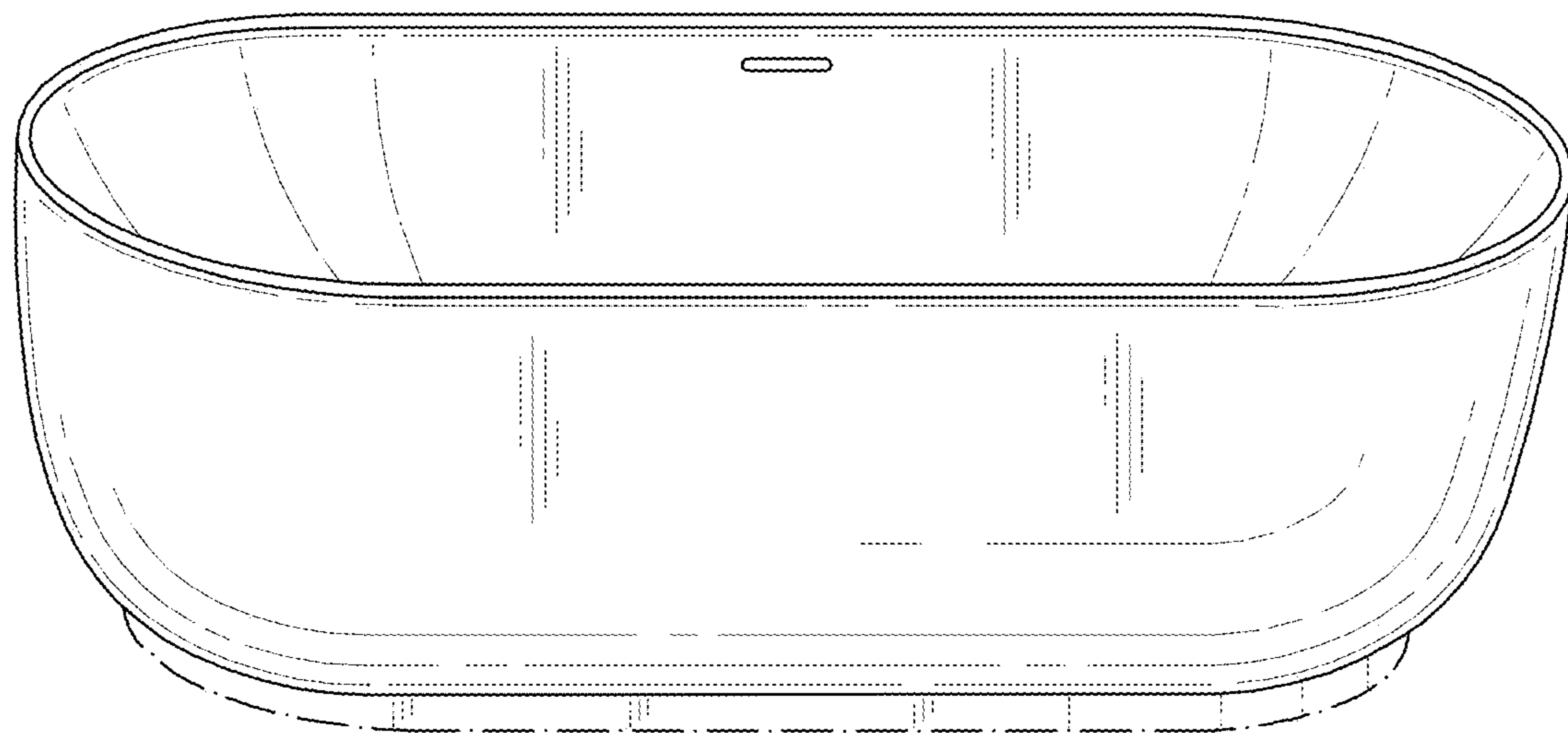


FIG. 2

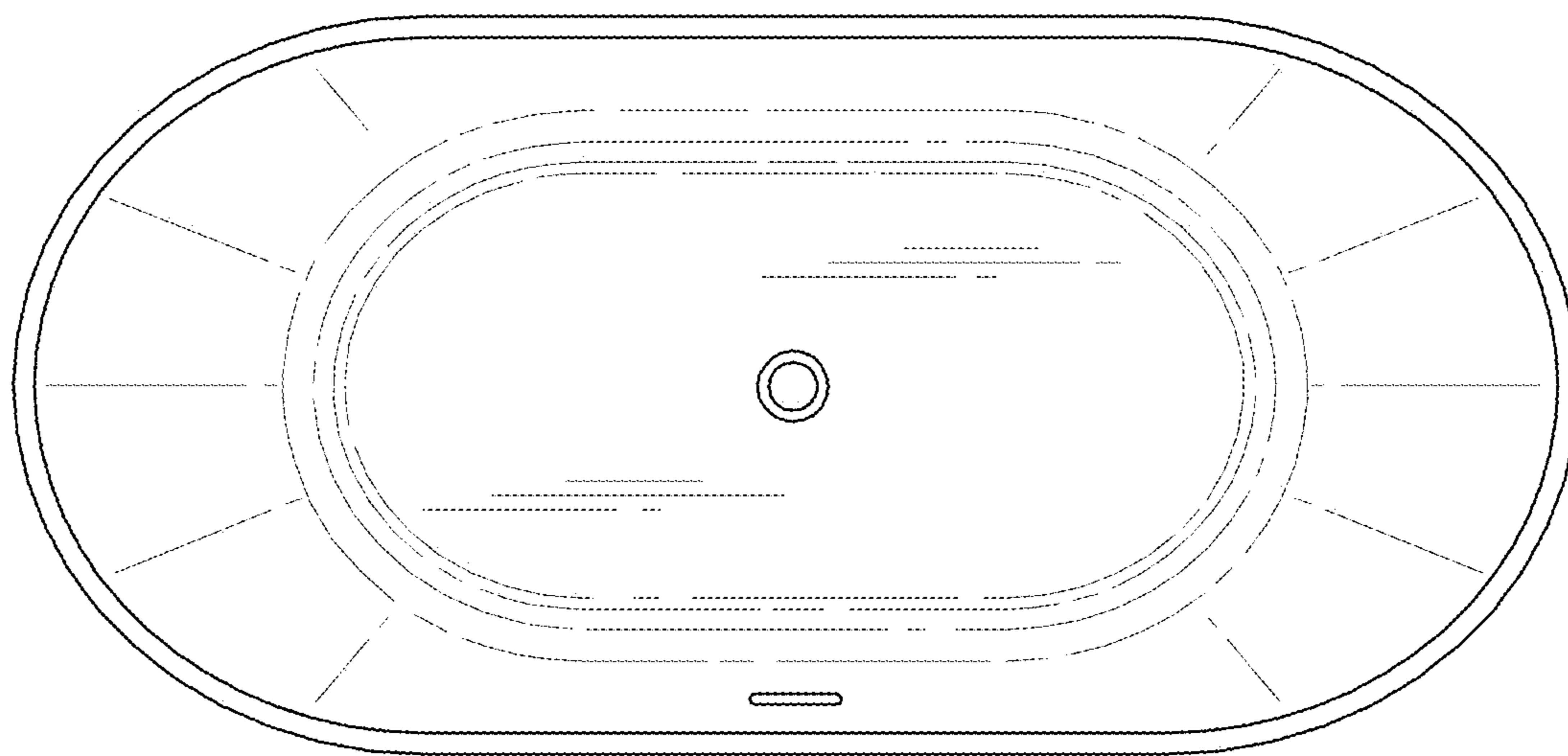


FIG. 3

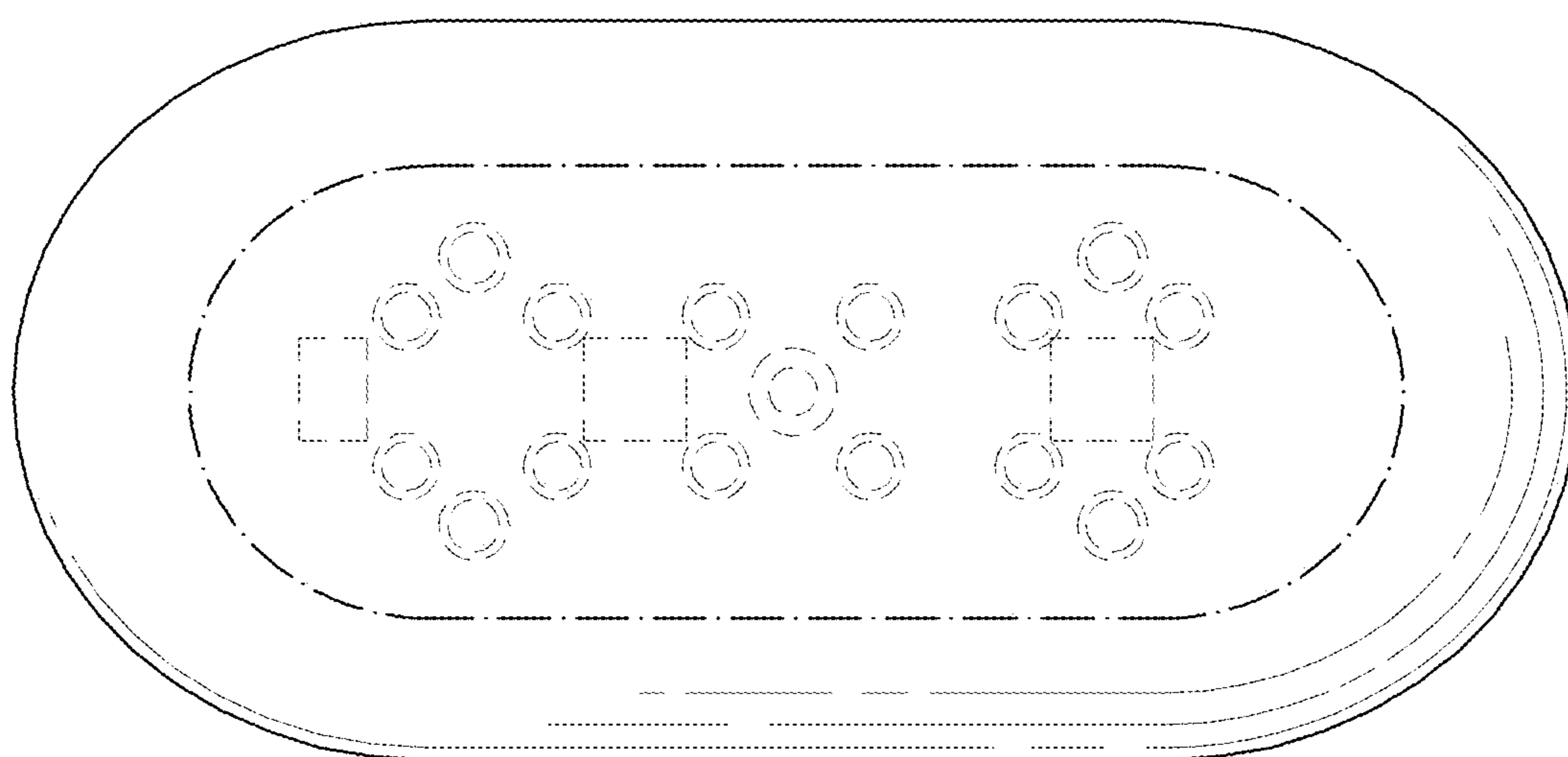


FIG. 4

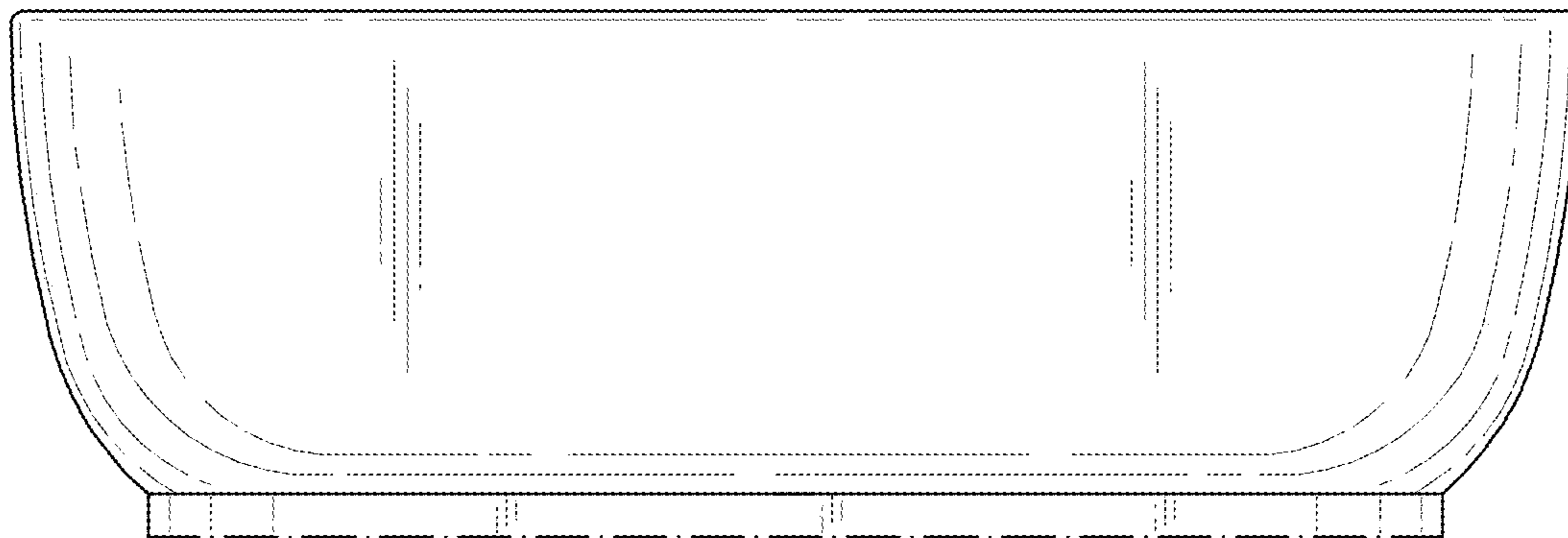


FIG. 5

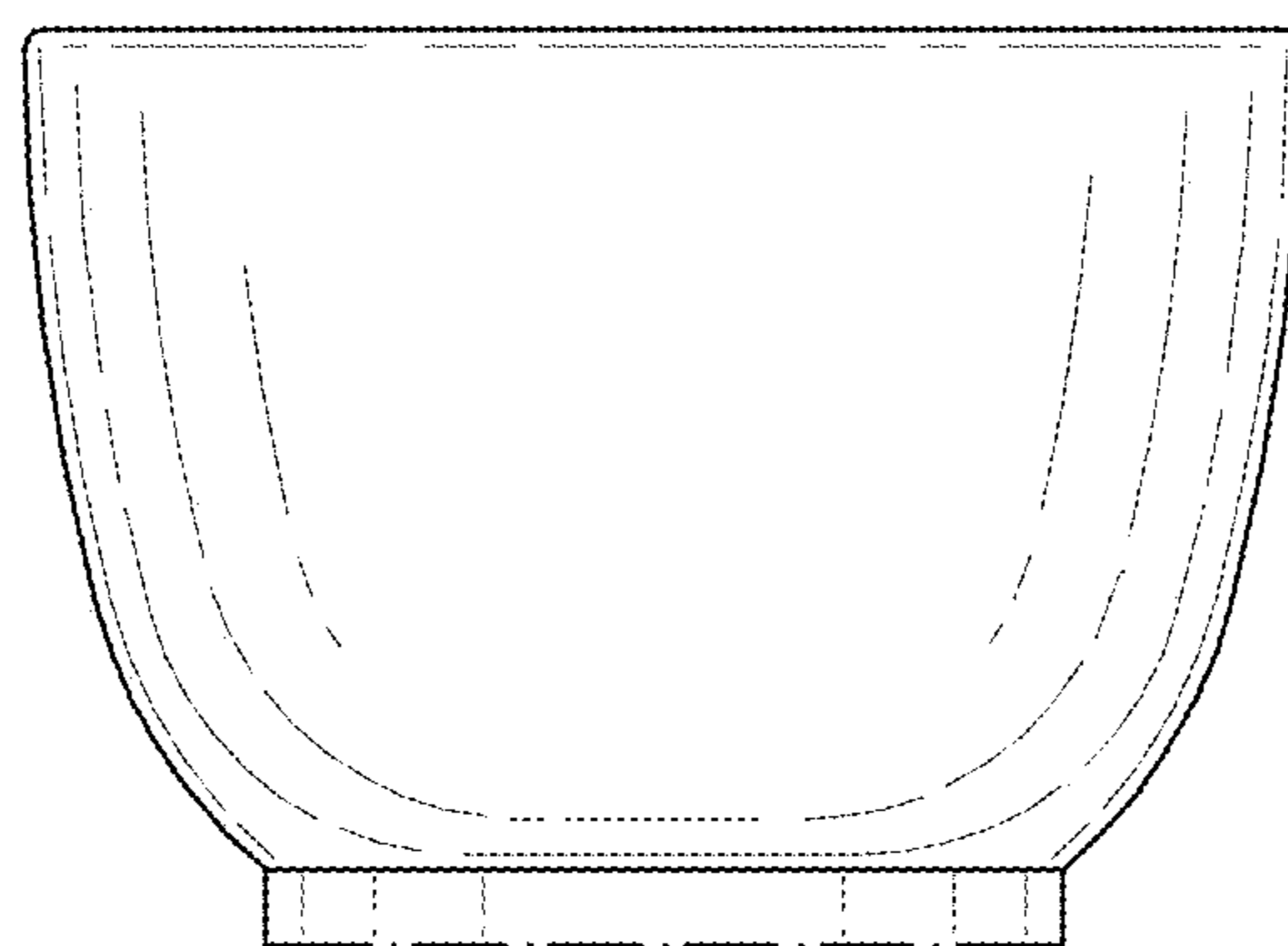


FIG. 6