



US00D913455S

(12) **United States Design Patent** (10) **Patent No.:** **US D913,455 S**  
**Patel** (45) **Date of Patent:** **\*\* Mar. 16, 2021**

(54) **COMBINATION BATHING TUB AND TUMBLER**

(71) Applicant: **Ketan B. Patel**, Somerset, NJ (US)

(72) Inventor: **Ketan B. Patel**, Somerset, NJ (US)

(\*\*) Term: **15 Years**

(21) Appl. No.: **29/648,134**

(22) Filed: **May 18, 2018**

(51) **LOC (13) Cl.** ..... **23-02**

(52) **U.S. Cl.**  
USPC ..... **D23/278**

(58) **Field of Classification Search**  
USPC ..... D23/277, 278, 280.1; D21/472, 473, D21/522, 814, 815; D6/686, 691, 692.3  
CPC ..... A47K 3/022; A47K 3/024; A47K 3/127; A47K 3/064; A63H 33/00; A47D 3/00  
See application file for complete search history.

(56) **References Cited**

U.S. PATENT DOCUMENTS

D273,726 S	5/1984	Valenzuela	
5,640,723 A	6/1997	Stanek	
D398,382 S *	9/1998	George	D23/278
D399,680 S *	10/1998	Mak	D6/691
D435,622 S *	12/2000	Yates	D21/814
6,415,460 B1	7/2002	Rossmann et al.	
6,969,119 B1	11/2005	Jennings	
D519,182 S *	4/2006	Sinchok	D21/815
D554,226 S *	10/2007	Blum	D21/815
7,430,769 B2	10/2008	Davis	
D592,726 S *	5/2009	Auberger	D21/815
D610,656 S *	2/2010	Terrell	D21/467
7,979,925 B2	7/2011	Karbowski	
D653,312 S	1/2012	Liang	
D712,490 S *	9/2014	Gibbs	D21/522

D721,906 S *	2/2015	Carver	D6/691
D769,550 S *	10/2016	Oxboel	D30/158
D827,108 S *	8/2018	McConnell	D23/278
D886,497 S *	6/2020	Ferri	D6/684
2006/0094328 A1 *	5/2006	Drosendahl	A63H 33/006 446/227

\* cited by examiner

*Primary Examiner* — John A Voytek

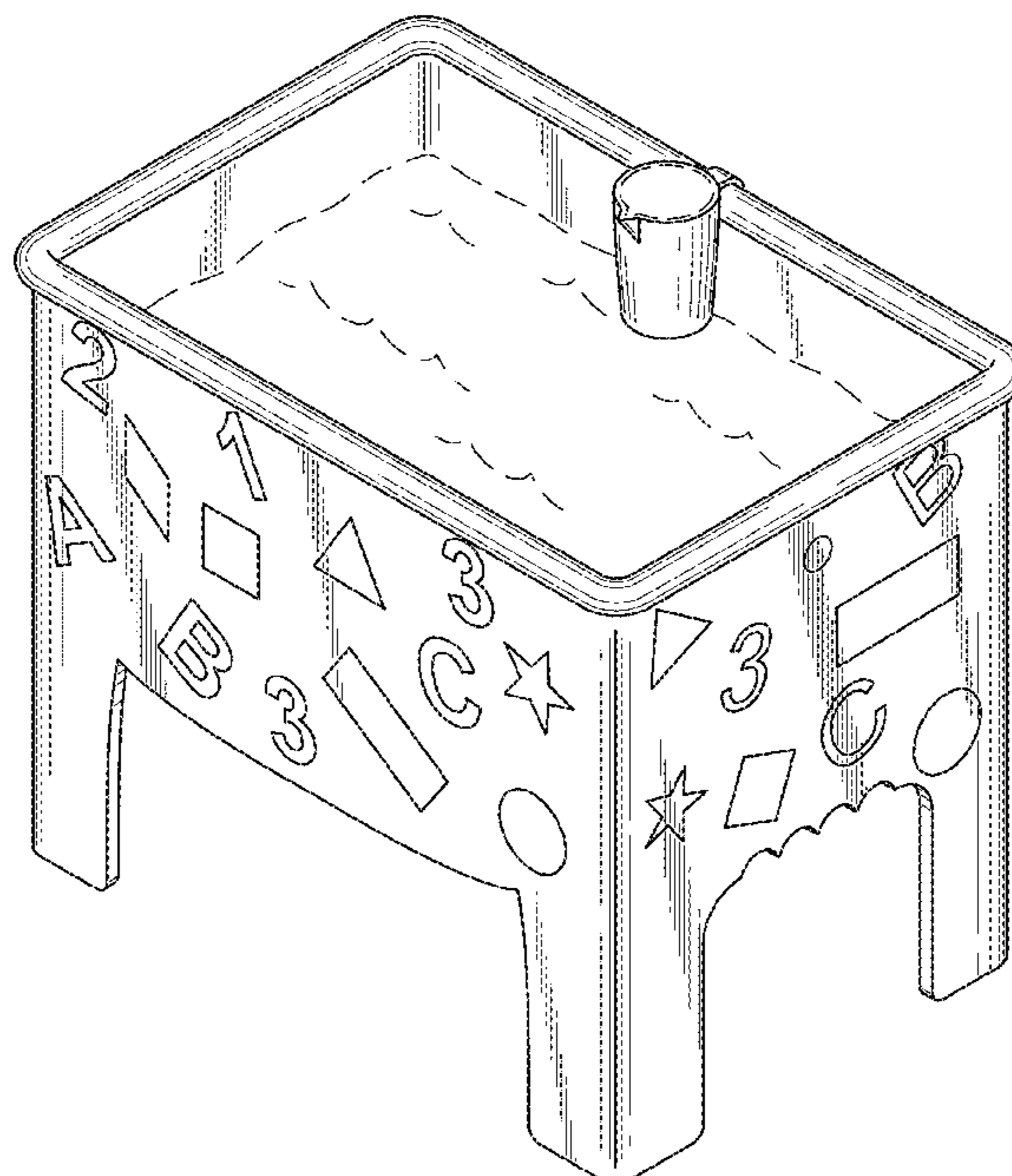
(57) **CLAIM**

The ornamental design for a combination bathing tub and tumbler, as shown and described.

**DESCRIPTION**

FIG. 1 is a front view of a combination bathing tub and tumbler showing my new design;  
 FIG. 2 is a rear view of the combination bathing tub and tumbler;  
 FIG. 3 is a left side view of the combination bathing tub and tumbler;  
 FIG. 4 is a right side view of the combination bathing tub and tumbler;  
 FIG. 5 is a top view of the combination bathing tub and tumbler;  
 FIG. 6 is a bottom view of the combination bathing tub and tumbler;  
 FIG. 7 is a top front side perspective view of the combination bathing tub and tumbler in an environment of use; and,  
 FIG. 8 is a bottom rear side perspective view of the combination bathing tub and tumbler.  
 The broken lines shown in FIGS. 5 and 7 inside the tumbler are illustrative of a border wherein the interior of the tumbler forms no part of the claimed design.  
 The broken lines shown in FIG. 7 inside the bathing tub are for the purpose of illustrating environmental subject matter and form no part of the claimed design.

**1 Claim, 6 Drawing Sheets**



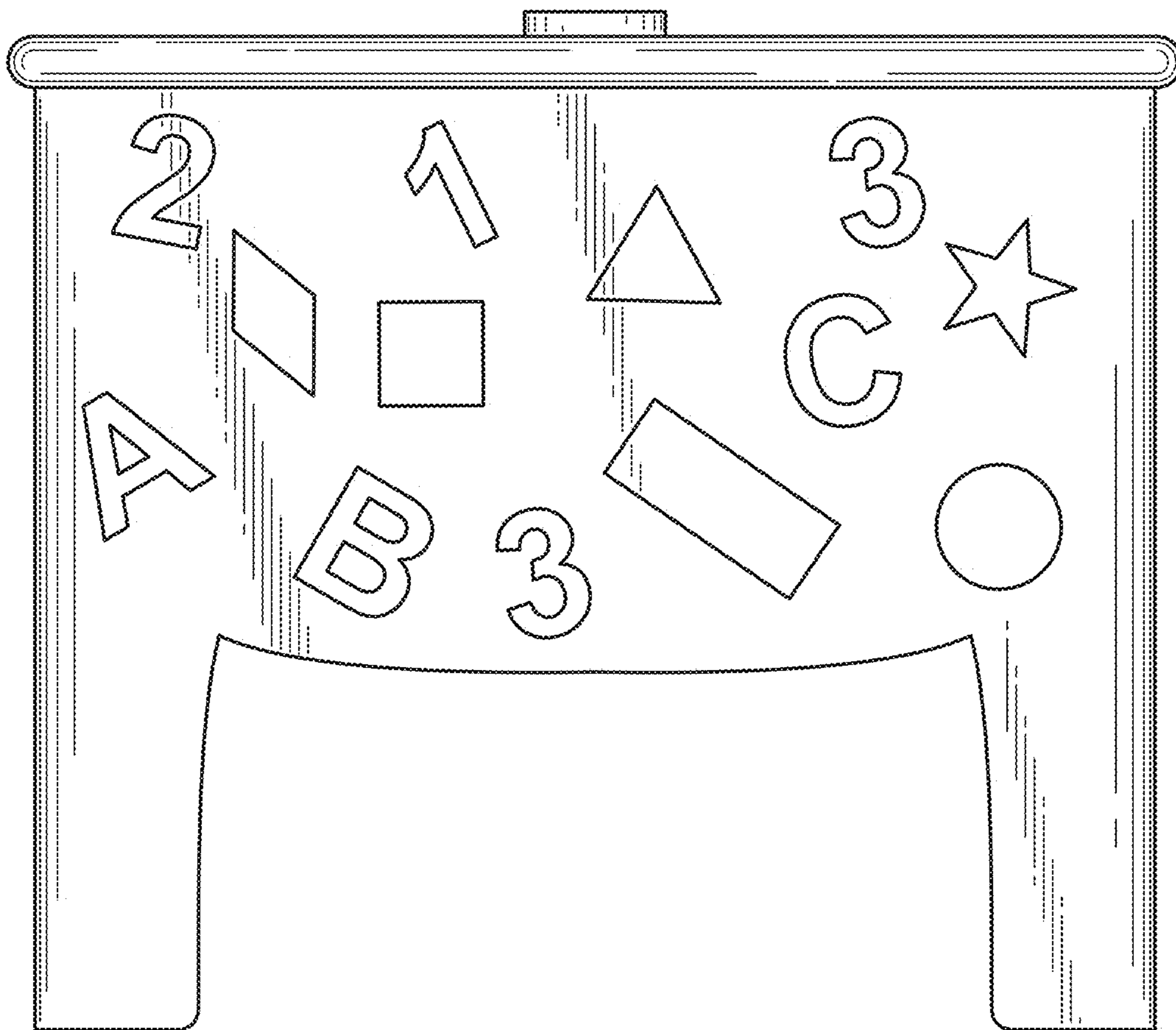


FIG. 1

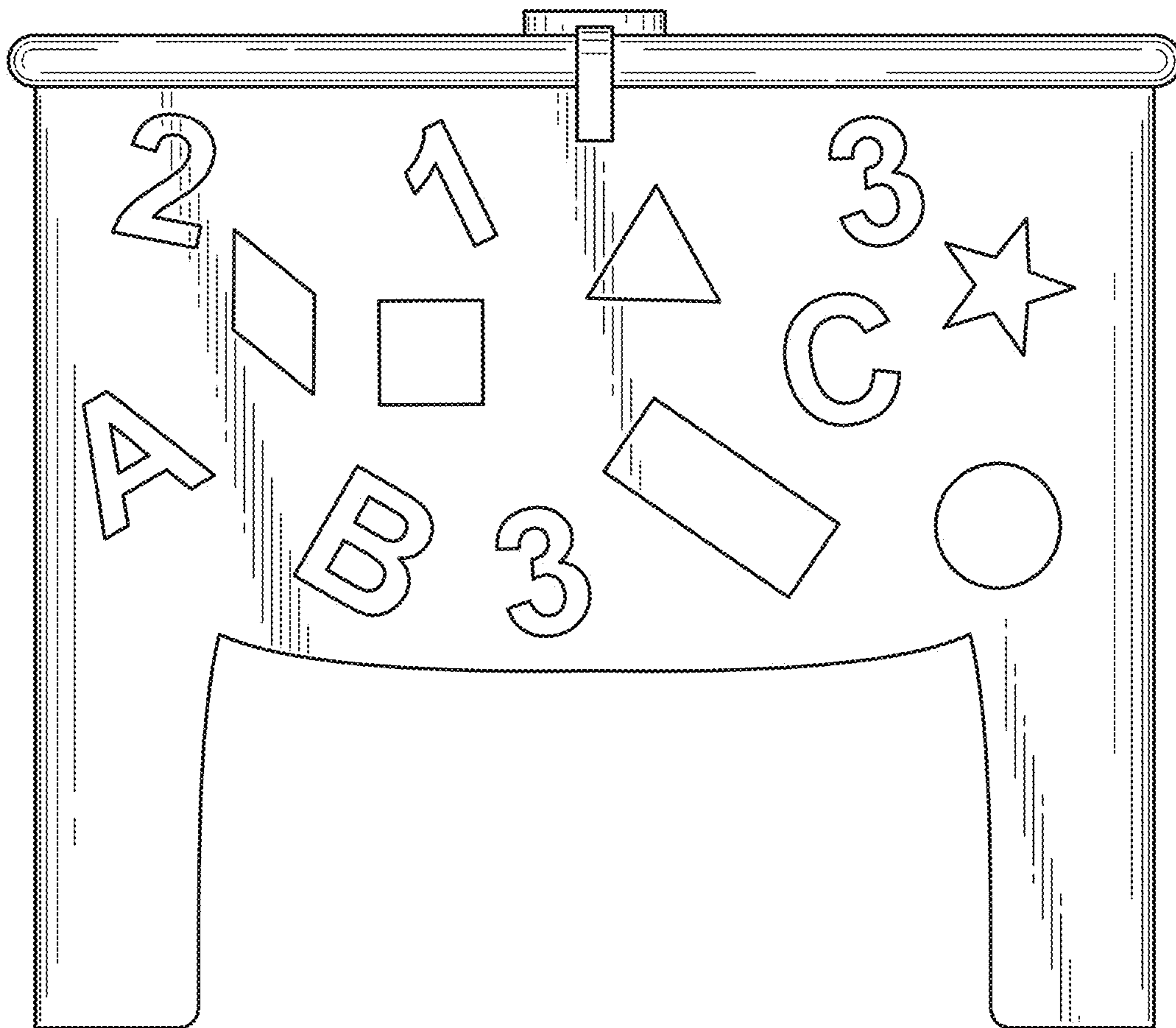


FIG. 2

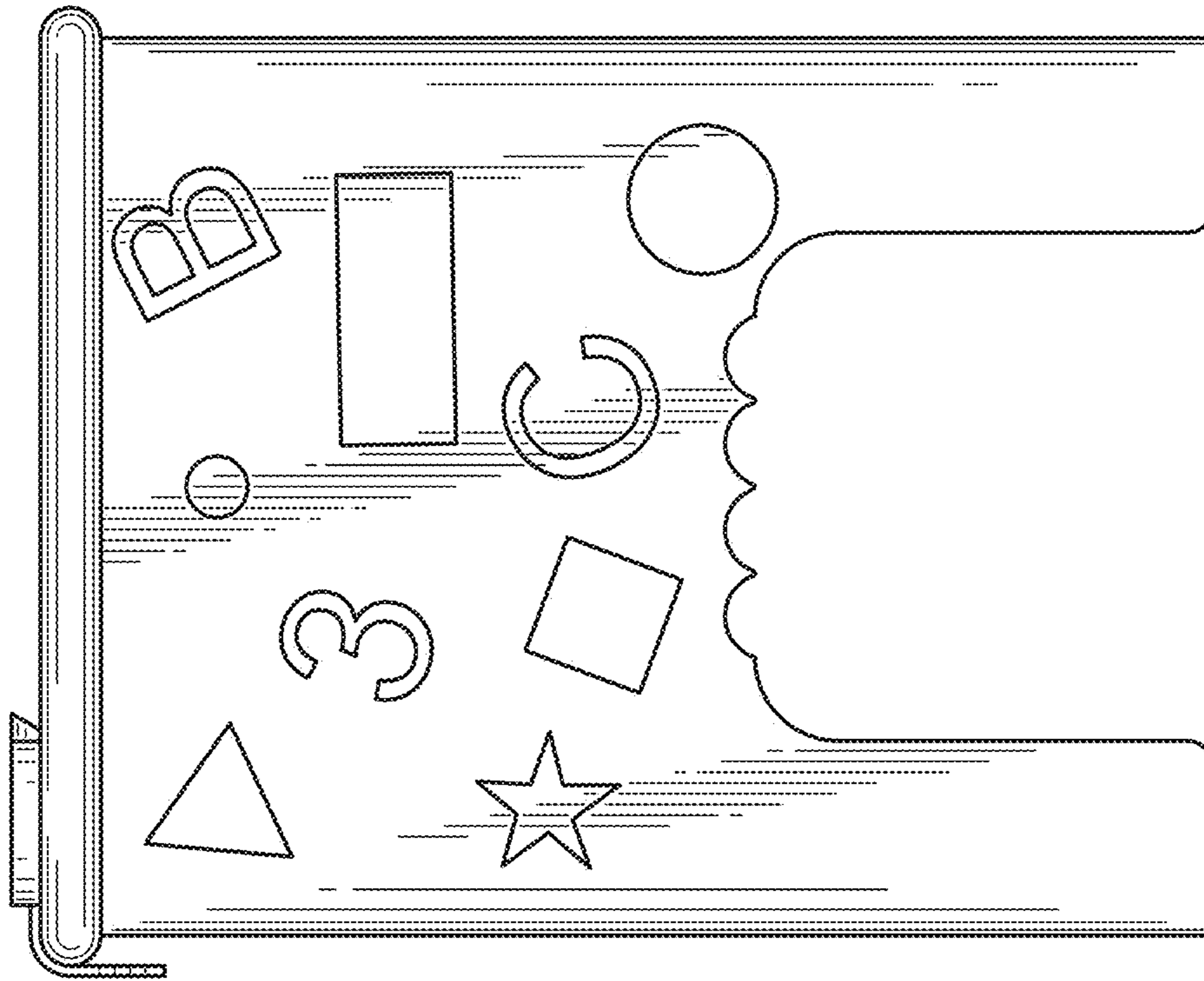


FIG. 4

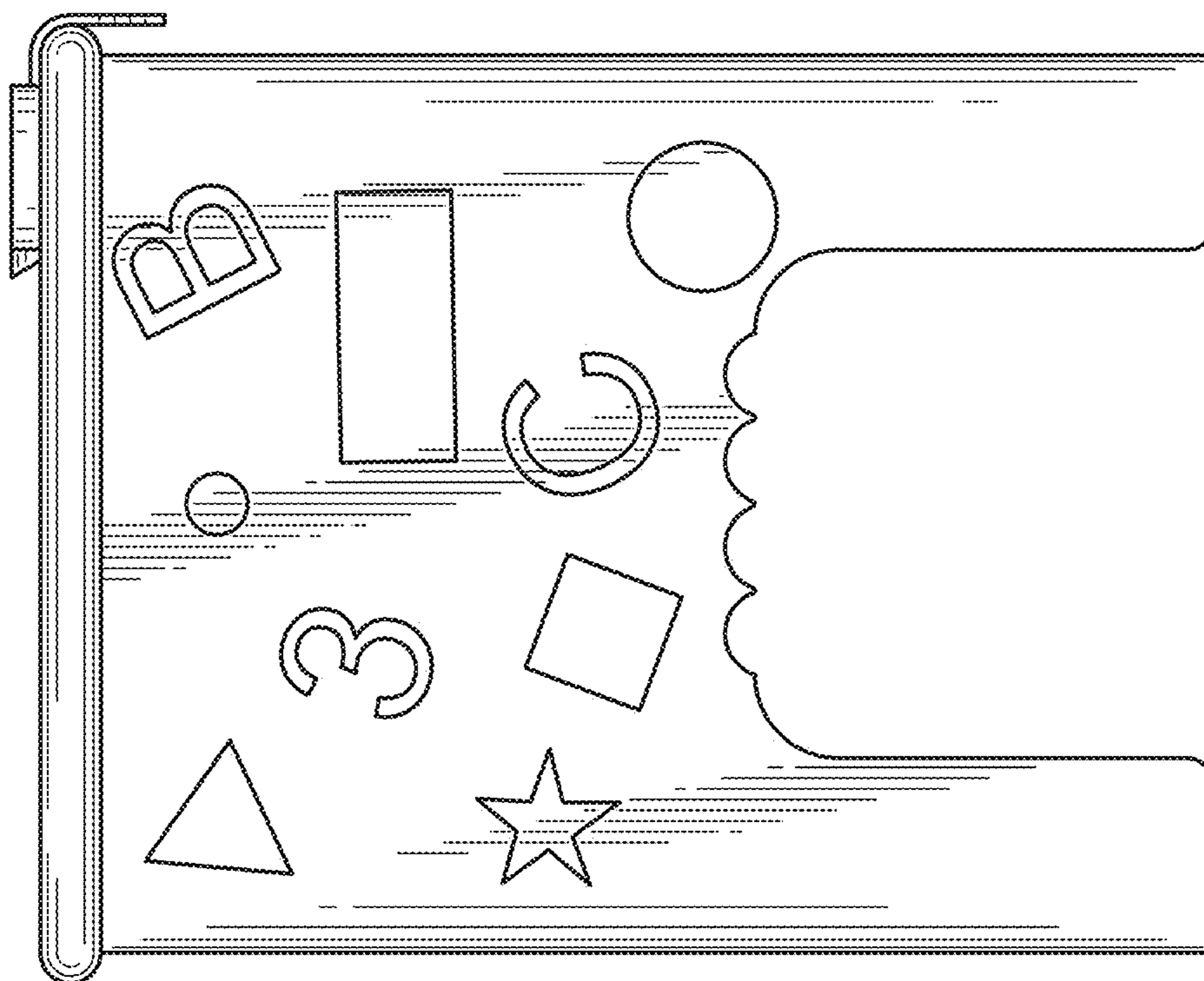


FIG. 3

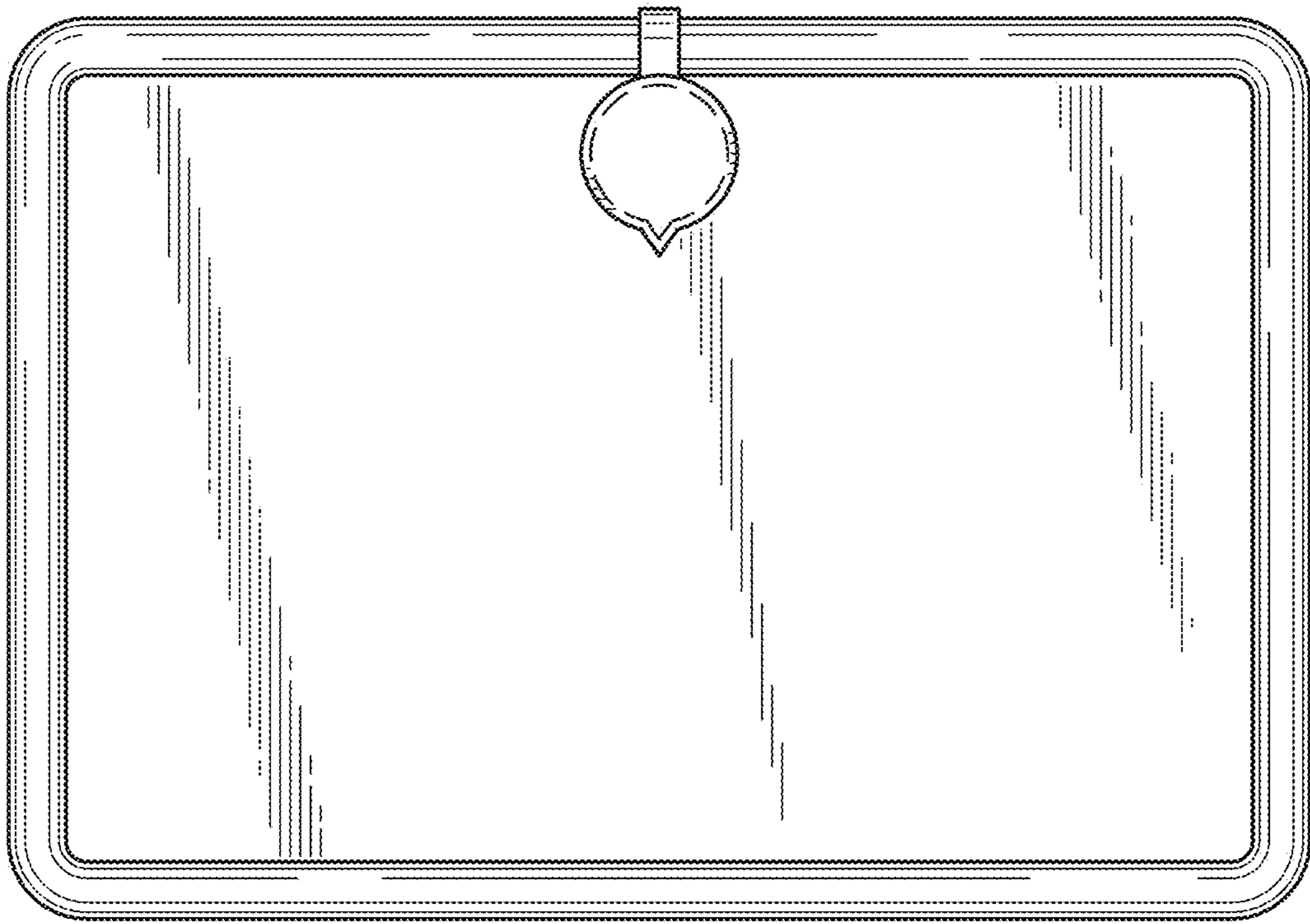


FIG. 5

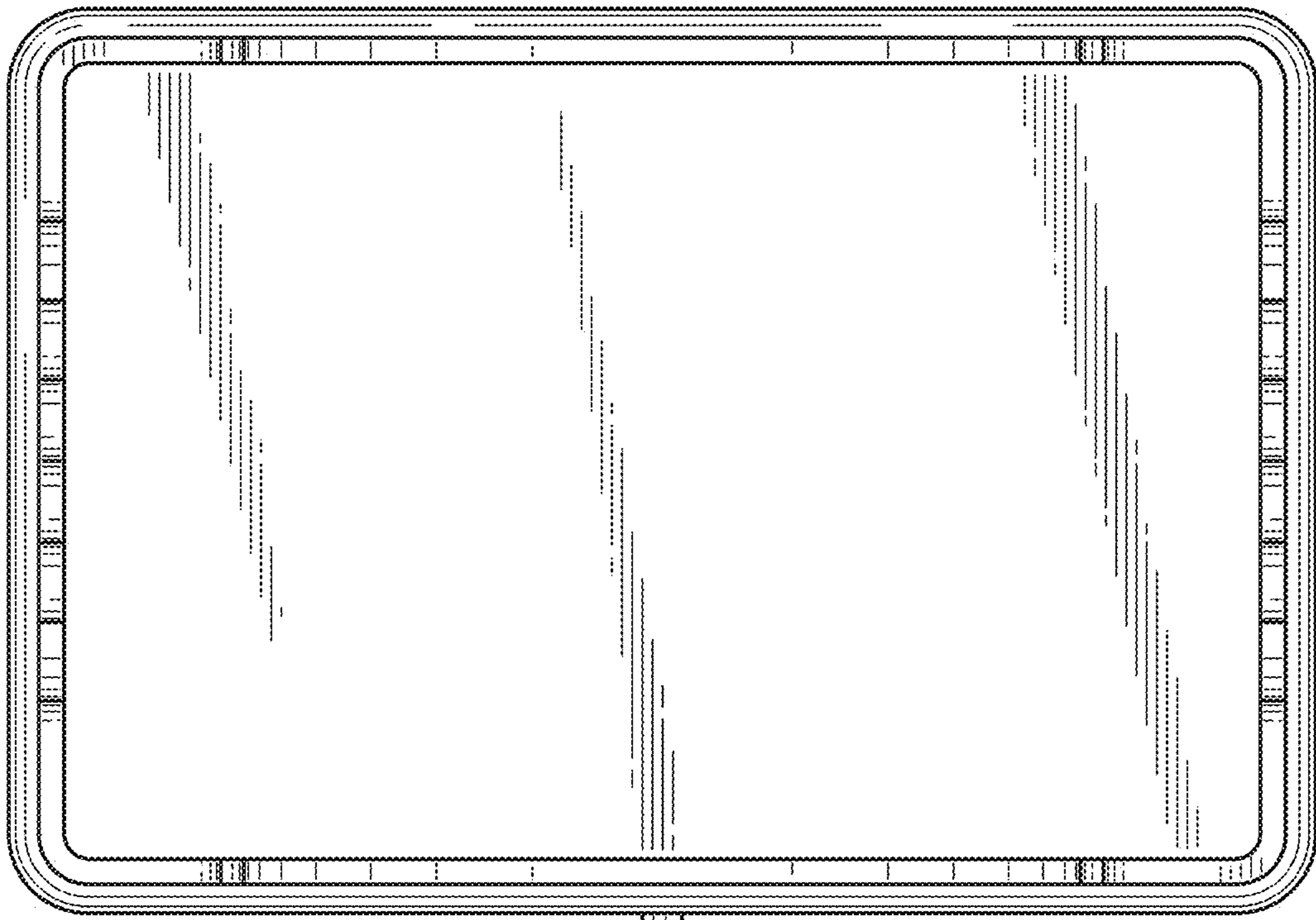


FIG. 6

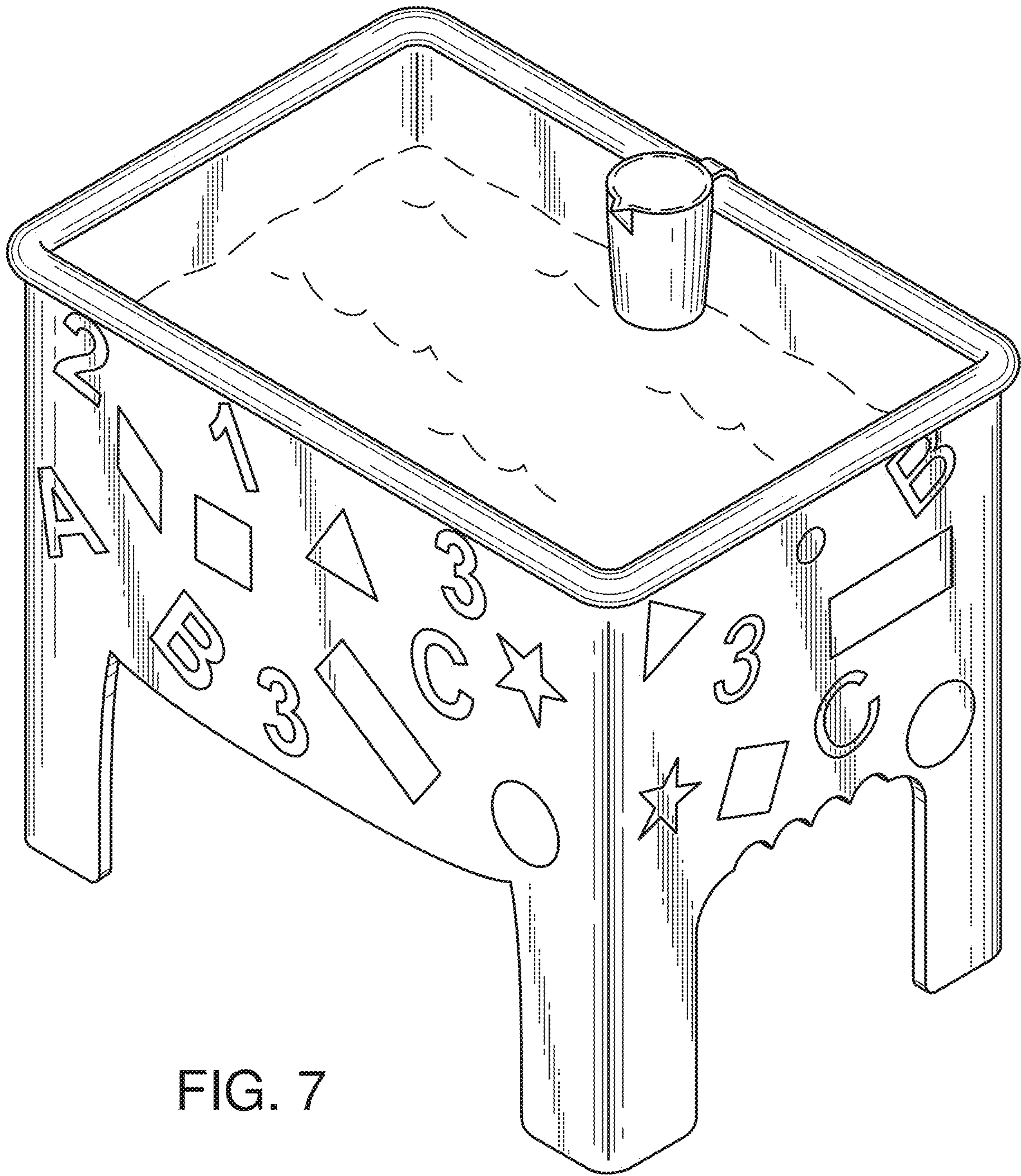


FIG. 7

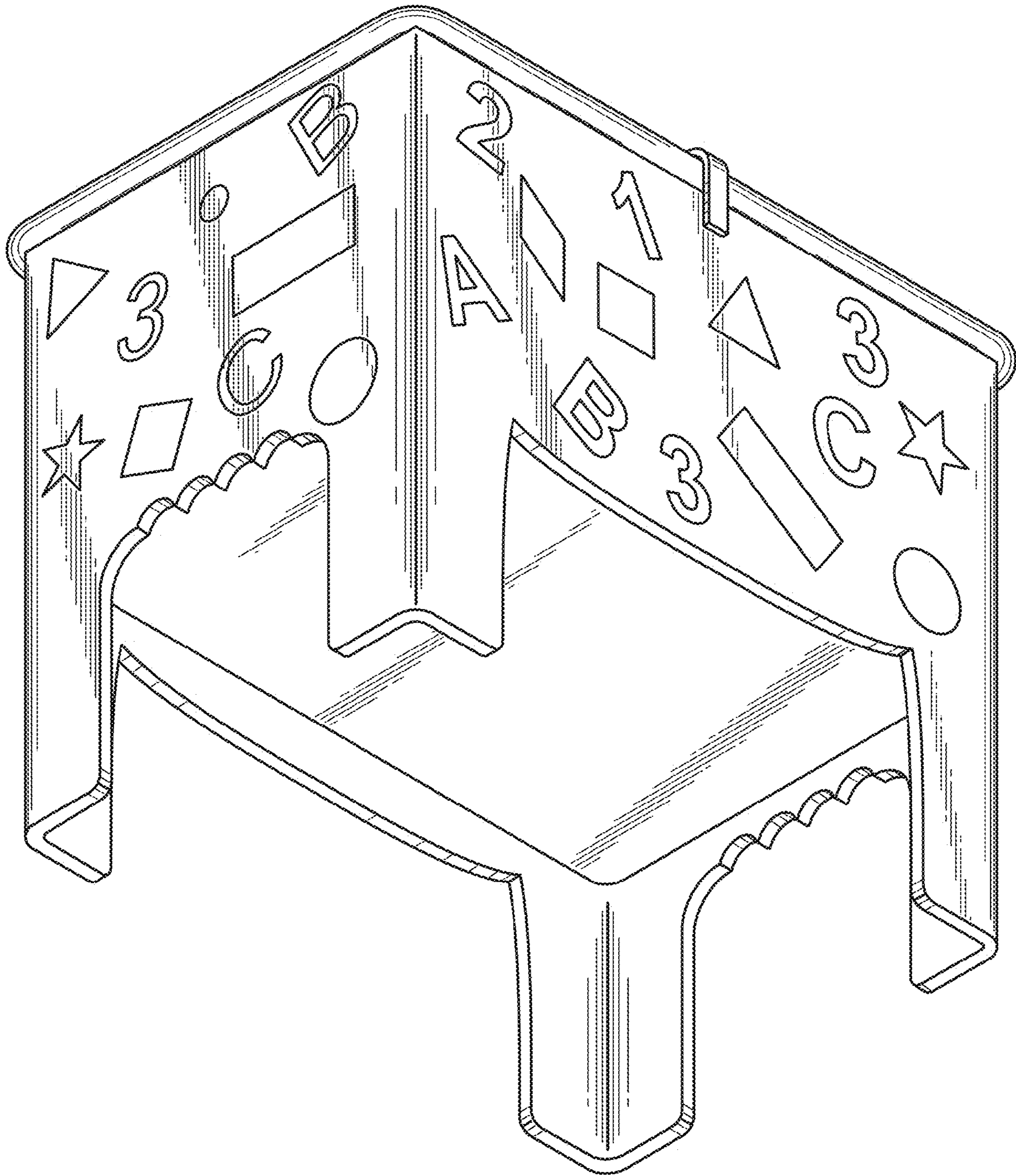


FIG. 8