



US00D913454S

(12) **United States Design Patent**
Freeman

(10) **Patent No.:** **US D913,454 S**
(45) **Date of Patent:** **** Mar. 16, 2021**

- (54) **SKIMMER BOX LID FRAME**
- (71) Applicant: **Skimmer Lids Pty Ltd**, Biggera Waters (AU)
- (72) Inventor: **William Geoffrey Freeman**, Southport (AU)
- (73) Assignee: **Skimmer Lids Pty Ltd**, Biggera Waters (AU)
- (**) Term: **15 Years**
- (21) Appl. No.: **29/663,823**
- (22) Filed: **Sep. 19, 2018**
- (30) **Foreign Application Priority Data**

Jun. 26, 2018 (AU) 201813786
 Jun. 26, 2018 (AU) 201813789

- (51) **LOC (13) Cl.** **23-01**
- (52) **U.S. Cl.**
USPC **D23/261; 23/206**
- (58) **Field of Classification Search**
USPC D23/259, 260–261, 208–209, 233, 235,
D23/203, 206, 322, 386–387, 393, 499,
D23/262–263; 4/293, 496, 499, 501, 507,
4/510–512; 210/167.1, 167.15, 167.16,
210/167.18, 167.11, 167.12; 137/296,
137/312–313, 656; D32/15, 25
CPC E03C 1/308; E03C 2201/80; E03F 3/043
See application file for complete search history.

(56) **References Cited**
U.S. PATENT DOCUMENTS

D295,313 S * 4/1988 Barnett D12/183
 D388,566 S * 12/1997 Reid D32/25
 D441,855 S * 5/2001 Fine D23/322
 D560,763 S * 1/2008 McKinnon D23/261

7,815,795 B2 * 10/2010 Parks E04H 4/1272
210/167.1
 D808,503 S * 1/2018 McAlpine D23/260
 D818,566 S * 5/2018 Freeman B28B 7/0064
D23/261
 D819,788 S * 6/2018 Freeman B28B 7/18
D23/261
 D868,935 S * 12/2019 Miskovich D23/206
 D872,838 S * 1/2020 Callaghan D23/249
 D884,148 S * 5/2020 Branham D23/393
 2007/0012607 A1 * 1/2007 Mullner, Jr. E04H 4/1272
210/167.1
 2008/0067117 A1 * 3/2008 Hodak E04H 4/1272
210/167.1
 2009/0139019 A1 * 6/2009 Shebek E04H 4/1272
4/506
 2010/0084325 A1 * 4/2010 Parks E04H 4/1272
210/167.12
 2010/0258206 A1 * 10/2010 Baker E04H 4/1236
137/565.01

(Continued)

Primary Examiner — Amy C Wierenga
 (74) *Attorney, Agent, or Firm* — Whitmyer IP Group LLC

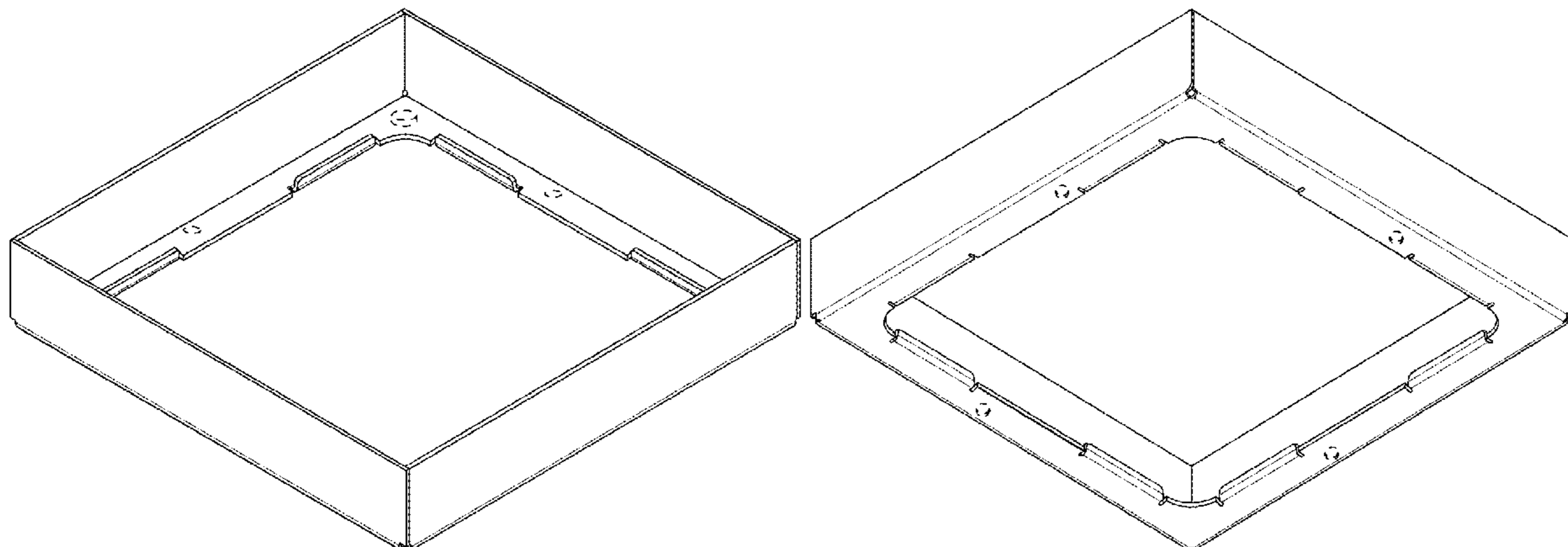
(57) **CLAIM**

The ornamental design for a skimmer box lid frame, as shown and described.

DESCRIPTION

FIG. 1 is a top isometric view of a skimmer box lid frame in accordance with the new design;
 FIG. 2 is a bottom isometric view thereof;
 FIG. 3 is a front side elevational view thereof;
 FIG. 4 is a rear side elevational view thereof;
 FIG. 5 is a left side elevational view thereof;
 FIG. 6 is a right side elevational view thereof;
 FIG. 7 is a top plan view thereof; and,
 FIG. 8 is a bottom plan view thereof.
 The broken lines depict portions of the skimmer box lid frame that form no part of the claim.

1 Claim, 8 Drawing Sheets



(56)

References Cited

U.S. PATENT DOCUMENTS

2012/0110728 A1* 5/2012 Nelson E04H 4/1272
4/496
2014/0209546 A1* 7/2014 Smith E04H 4/1272
210/776
2017/0120475 A1* 5/2017 Freeman B28B 7/18
2017/0175410 A1* 6/2017 Smith E04H 4/1272
2017/0298683 A1* 10/2017 Hodak E06B 7/231
2018/0245363 A1* 8/2018 Pain C02F 1/40

* cited by examiner

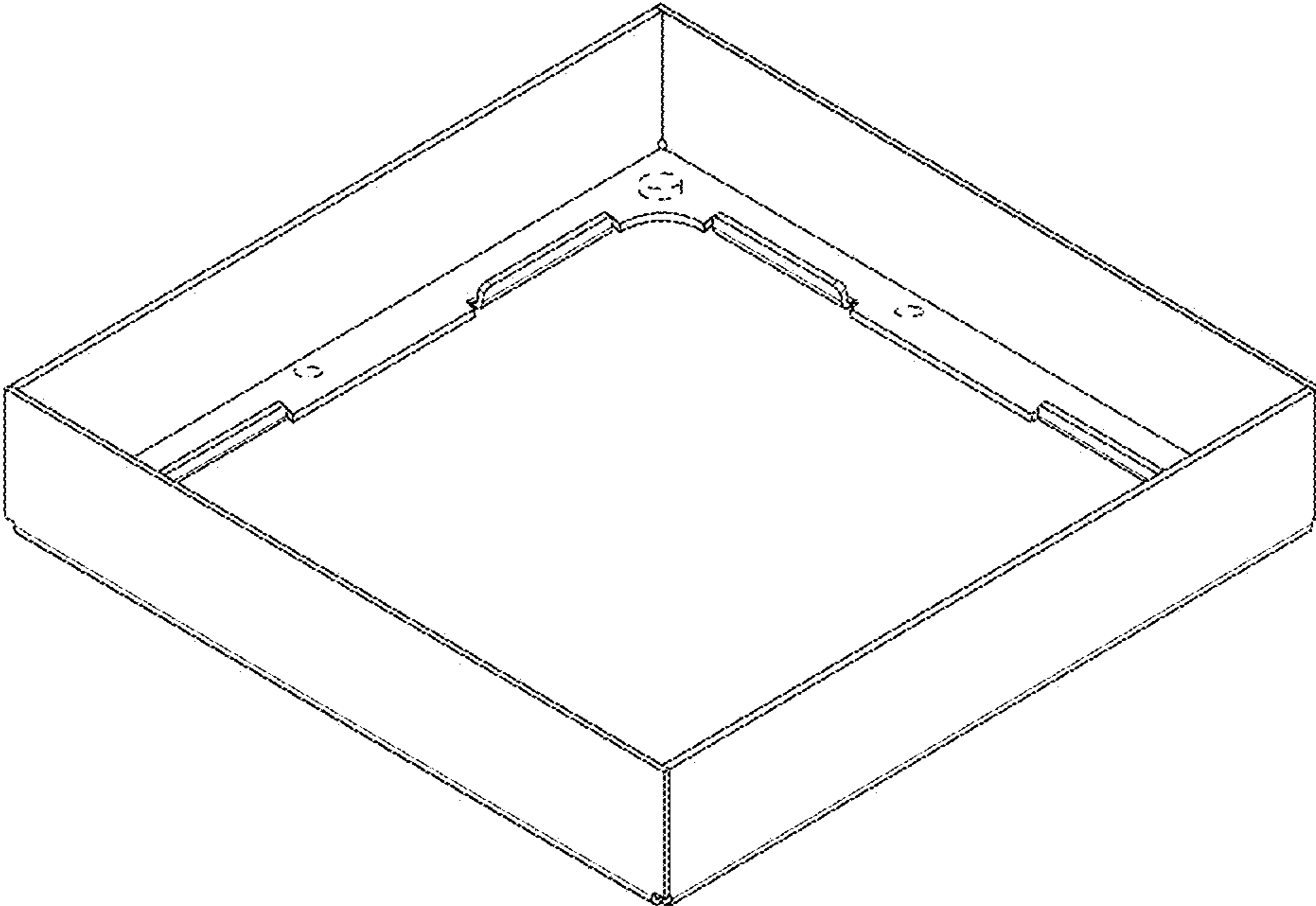


FIG. 1

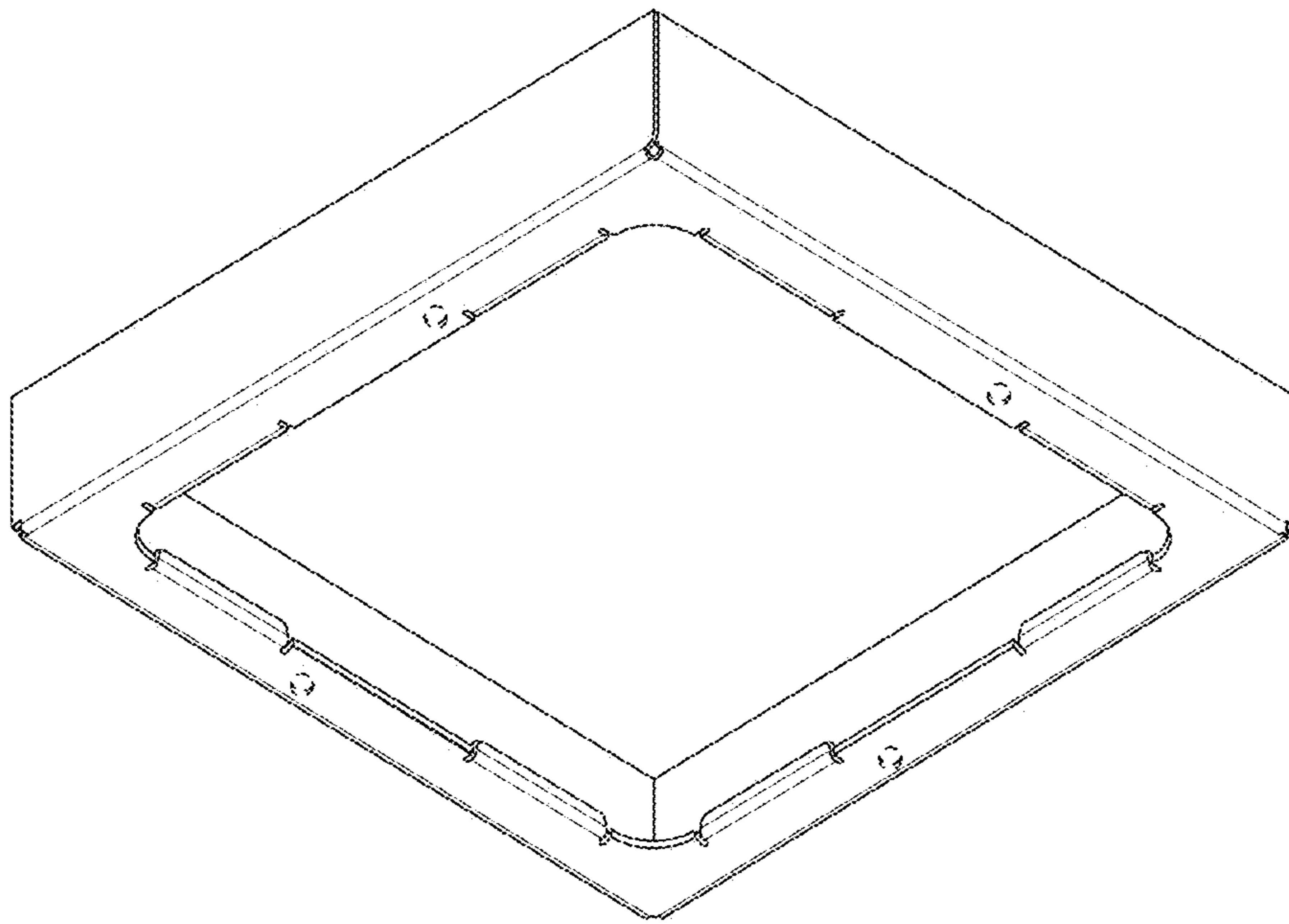


FIG. 2

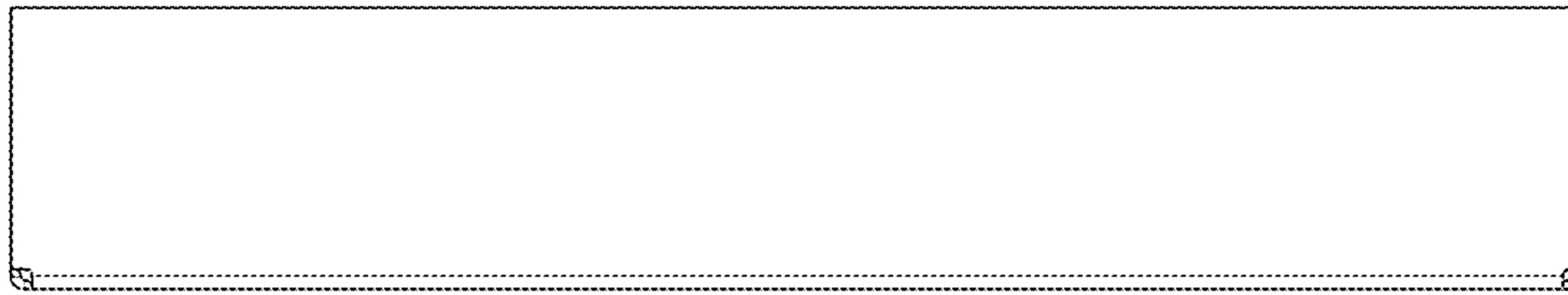


FIG. 3

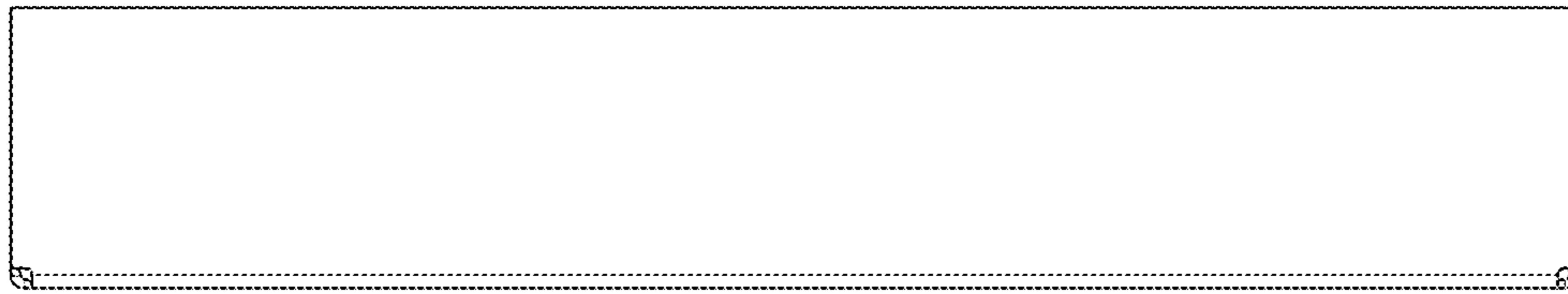


FIG. 4

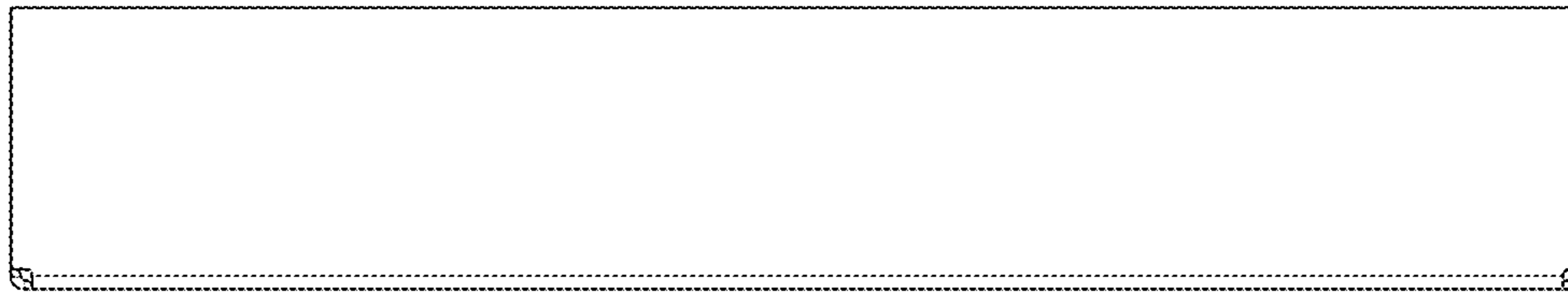


FIG. 5



FIG. 6

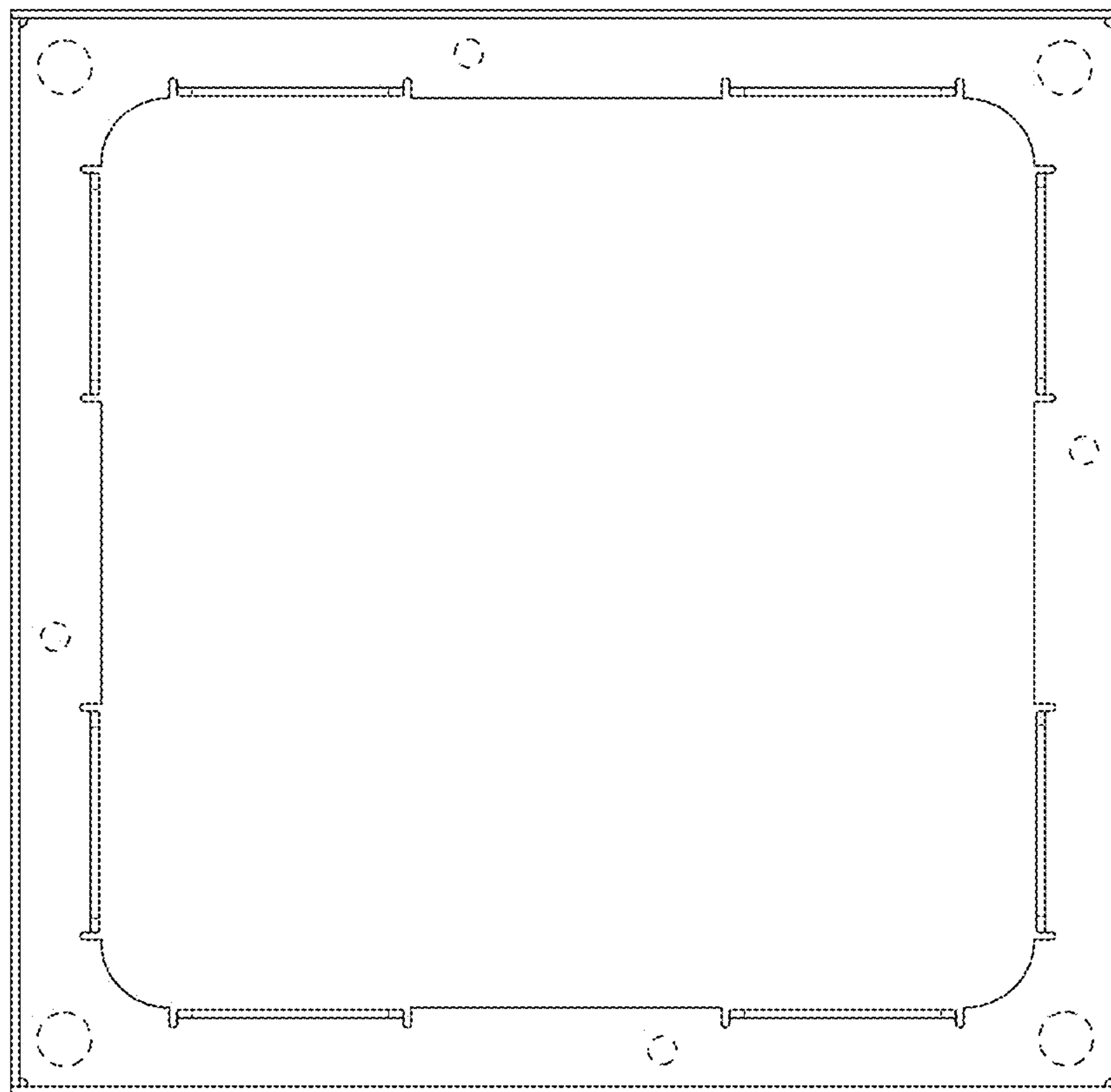


FIG. 7

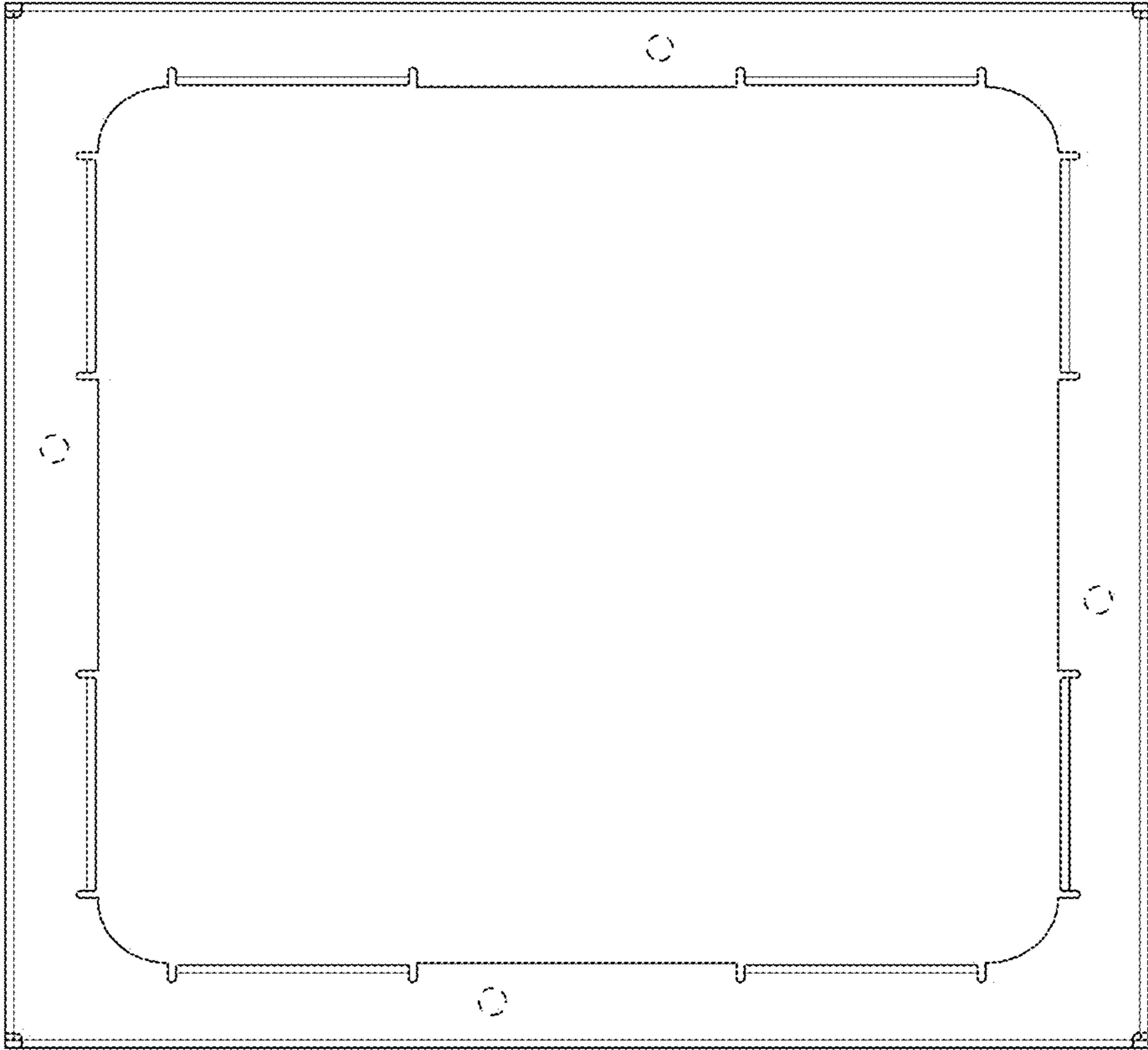


FIG. 8