



US00D913453S

(12) **United States Design Patent**
Morgan

(10) **Patent No.:** **US D913,453 S**

(45) **Date of Patent:** **** Mar. 16, 2021**

(54) **INTEGRATED VENTURI NOZZLE SHIELD**

(71) Applicant: **Spray Nozzle Engineering Pty Ltd,**
Moorabbin (AU)

(72) Inventor: **Sean Morgan,** Moorabbin (AU)

(73) Assignee: **SPRAY NOZZLE ENGINEERING**
PTY LTD, Moorabbin (AU)

(**) Term: **15 Years**

(21) Appl. No.: **29/711,480**

(22) Filed: **Oct. 31, 2019**

(51) **LOC (13) Cl.** **23-01**

(52) **U.S. Cl.**
USPC **D23/259**

(58) **Field of Classification Search**
USPC D23/213, 214, 215, 223, 224, 226, 229,
D23/230, 249, 259, 262
CPC A61H 9/0021; A61H 33/00; B05B 1/00;
B05B 1/14; B05B 1/185; B05B 1/08;
B05B 1/02; B05B 1/26; B05B 12/002;
B05B 1/18; B05B 9/01
See application file for complete search history.

(56) **References Cited**

U.S. PATENT DOCUMENTS

D319,291 S * 8/1991 Hanzel D23/213
D368,304 S * 3/1996 Morrison D23/262

D387,146 S * 12/1997 Morrison D23/262
D777,888 S * 1/2017 Vaz D23/262
D816,811 S * 5/2018 Dagdelen D23/259
D847,309 S * 4/2019 Sugatani D23/259
D900,283 S * 10/2020 Deschamps D23/249

* cited by examiner

Primary Examiner — Cathron C Brooks

Assistant Examiner — Keith J Wilson

(74) *Attorney, Agent, or Firm* — Mark Malek; Widerman
Malek, PL

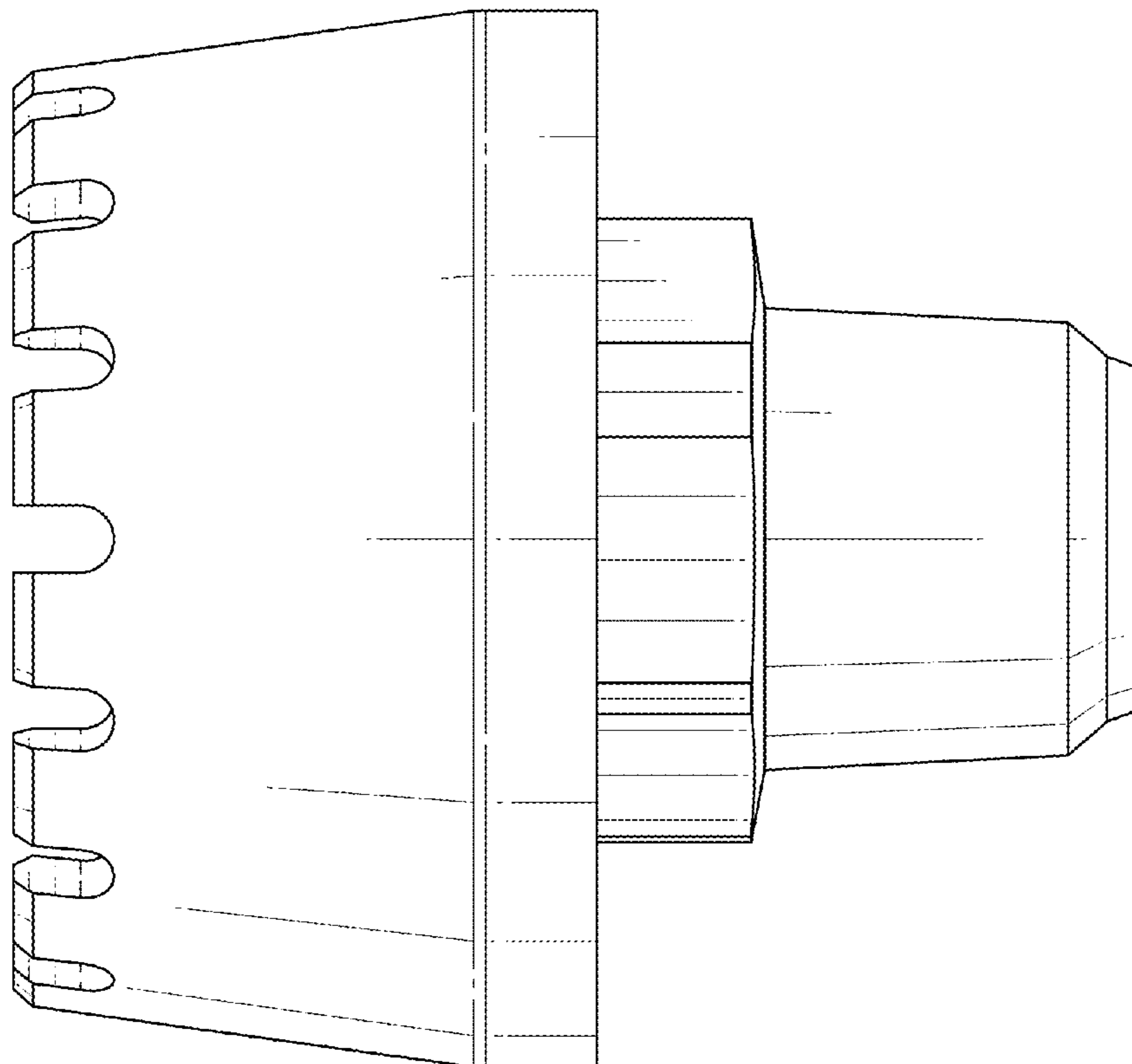
(57) **CLAIM**

The ornamental design for an integrated venturi nozzle shield, as shown and described.

DESCRIPTION

FIG. 1 is a right-side elevation view of an integrated venturi nozzle shield according to the present invention.
FIG. 2 is a left side elevation view of the integrated venturi nozzle shield illustrated in FIG. 1.
FIG. 3 is a front perspective view of the integrated venturi nozzle shield illustrated in FIG. 1.
FIG. 4 is an additional front perspective view of the integrated venturi nozzle shield illustrated in FIG. 1.
FIG. 5 is a rear perspective view of the integrated venturi nozzle shield illustrated in FIG. 1.
FIG. 6 is a front-end view of the integrated venturi nozzle shield illustrated in FIG. 1; and,
FIG. 7 is a rear end view of the integrated venturi nozzle shield illustrated in FIG. 1.

1 Claim, 7 Drawing Sheets



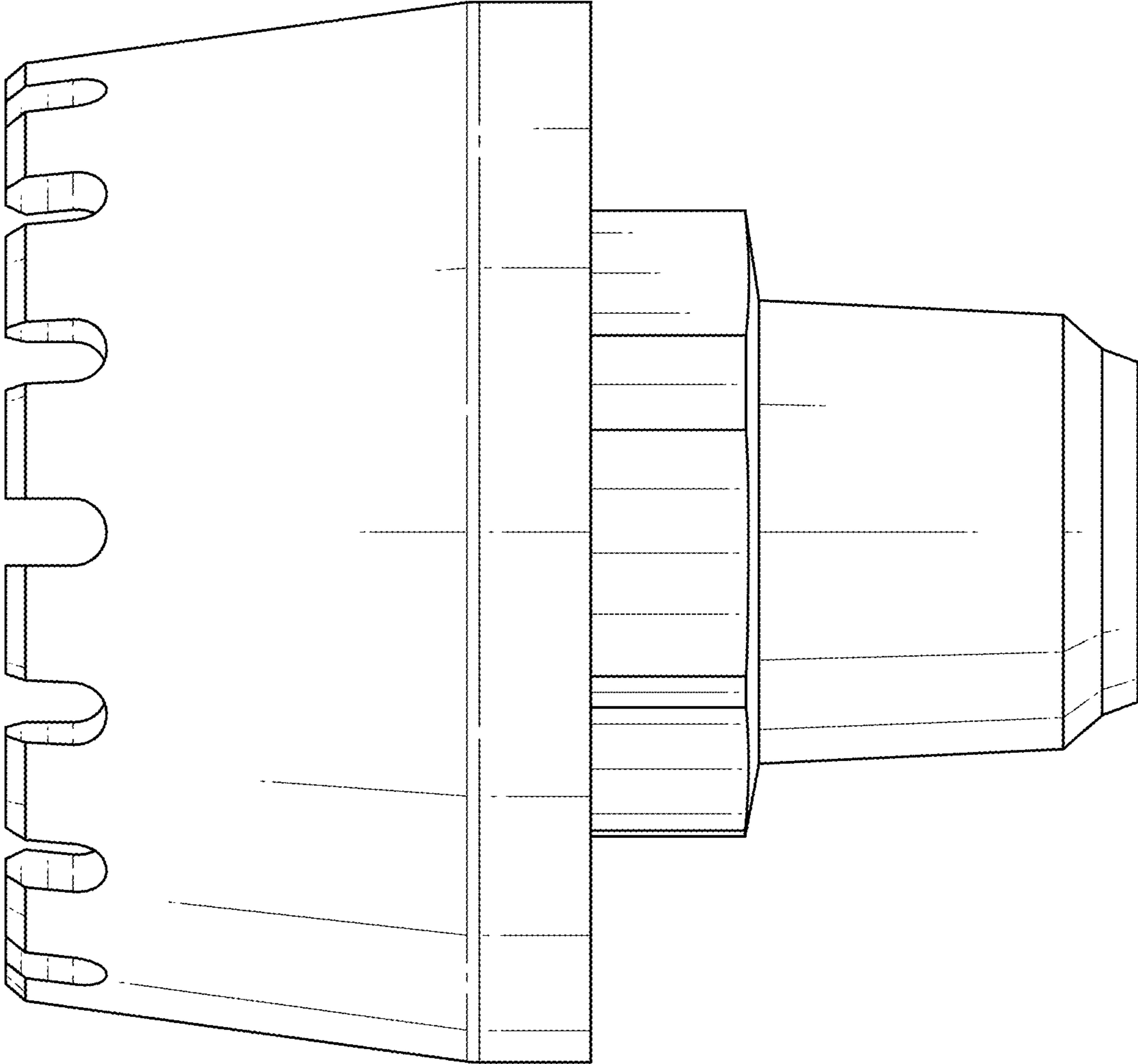


FIG. 1

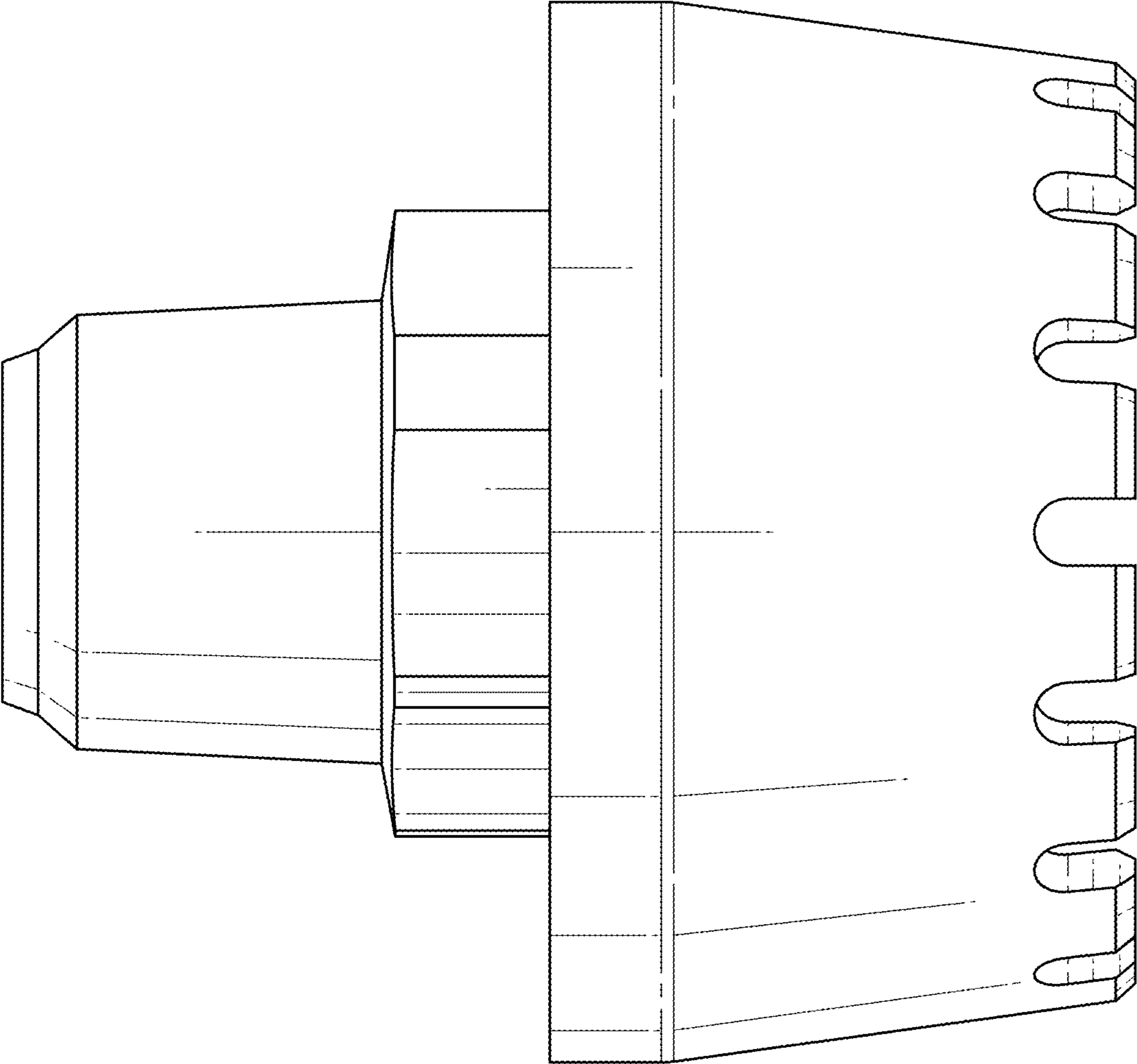


FIG. 2

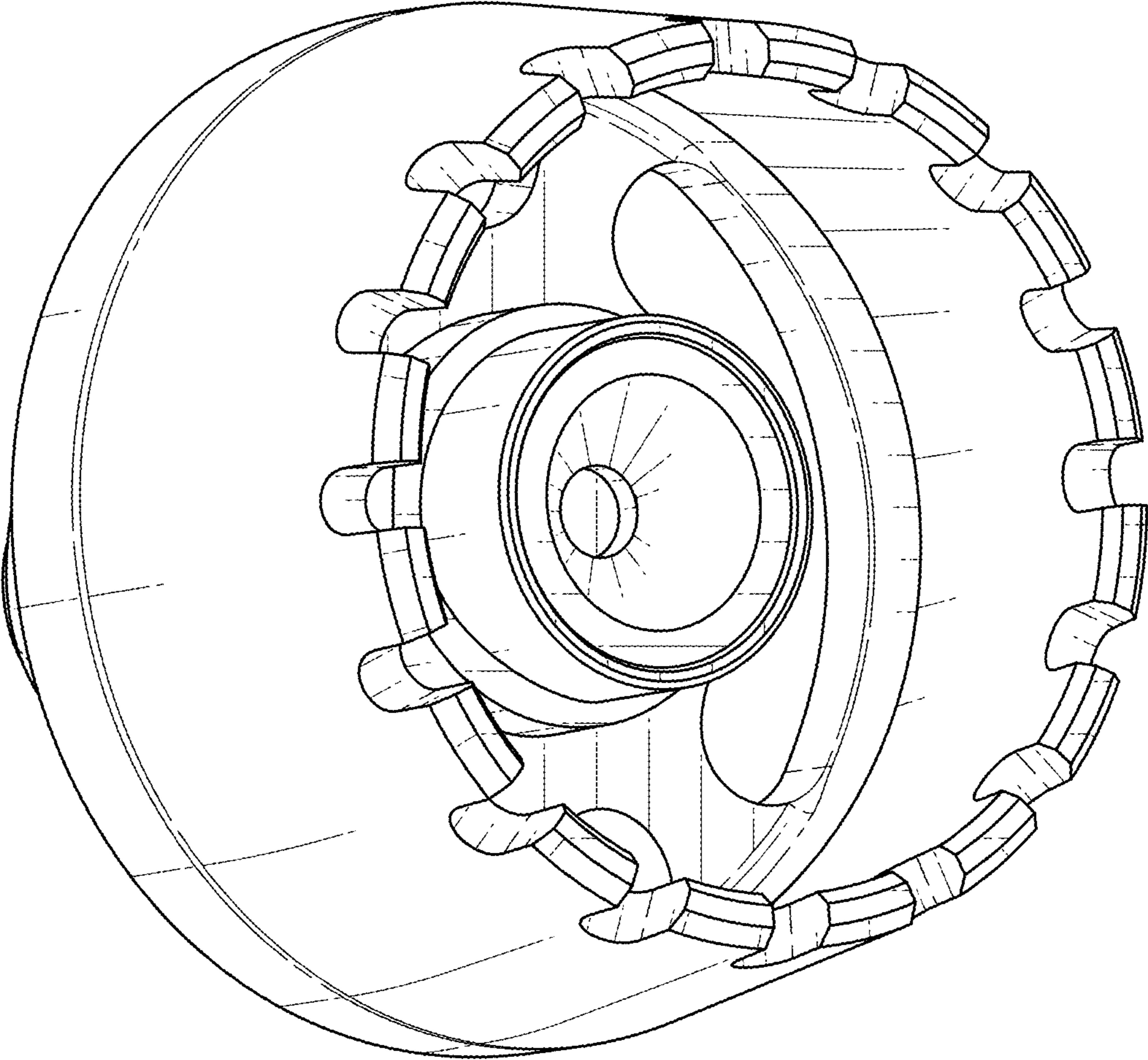


FIG. 3

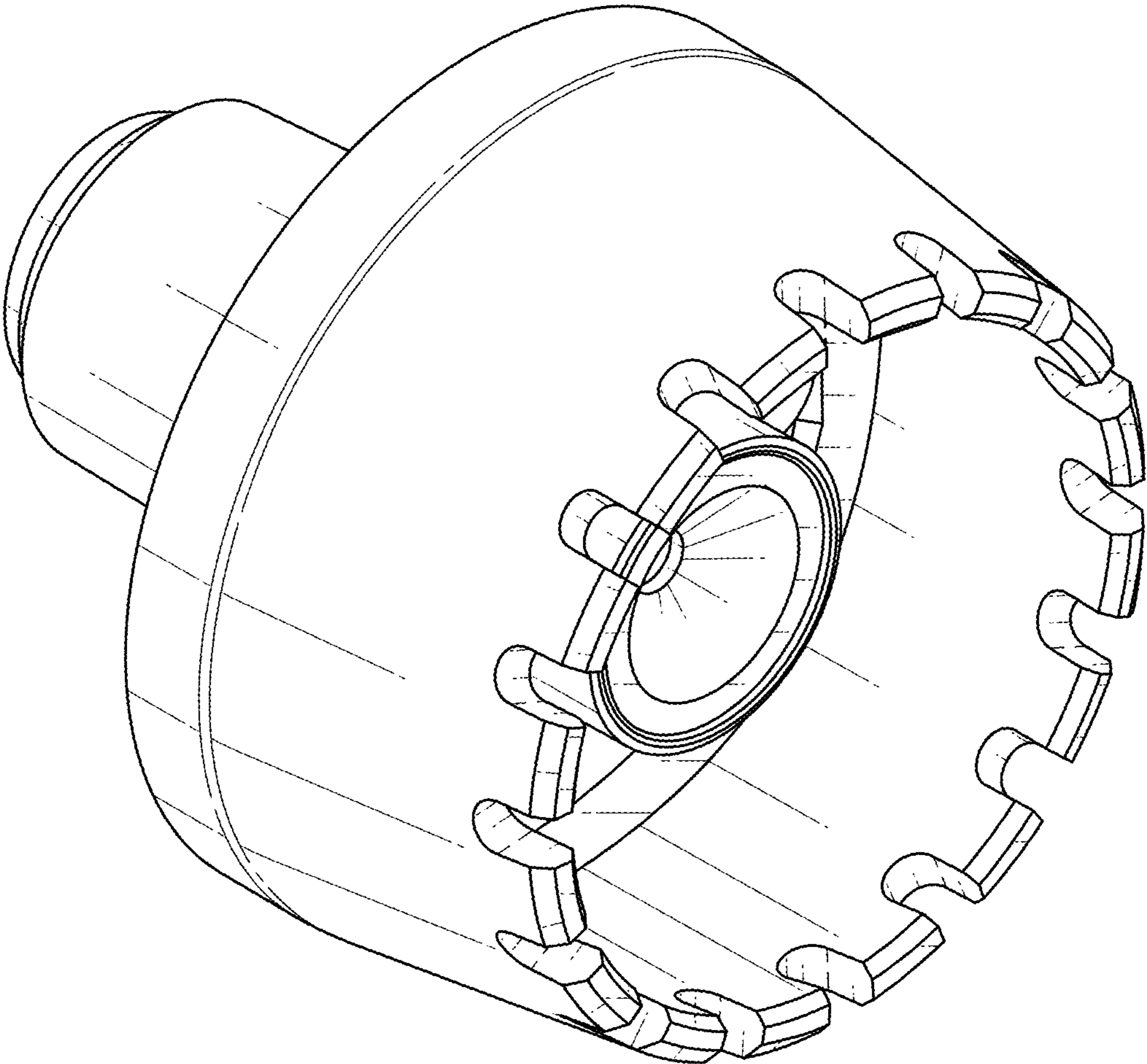


FIG. 4

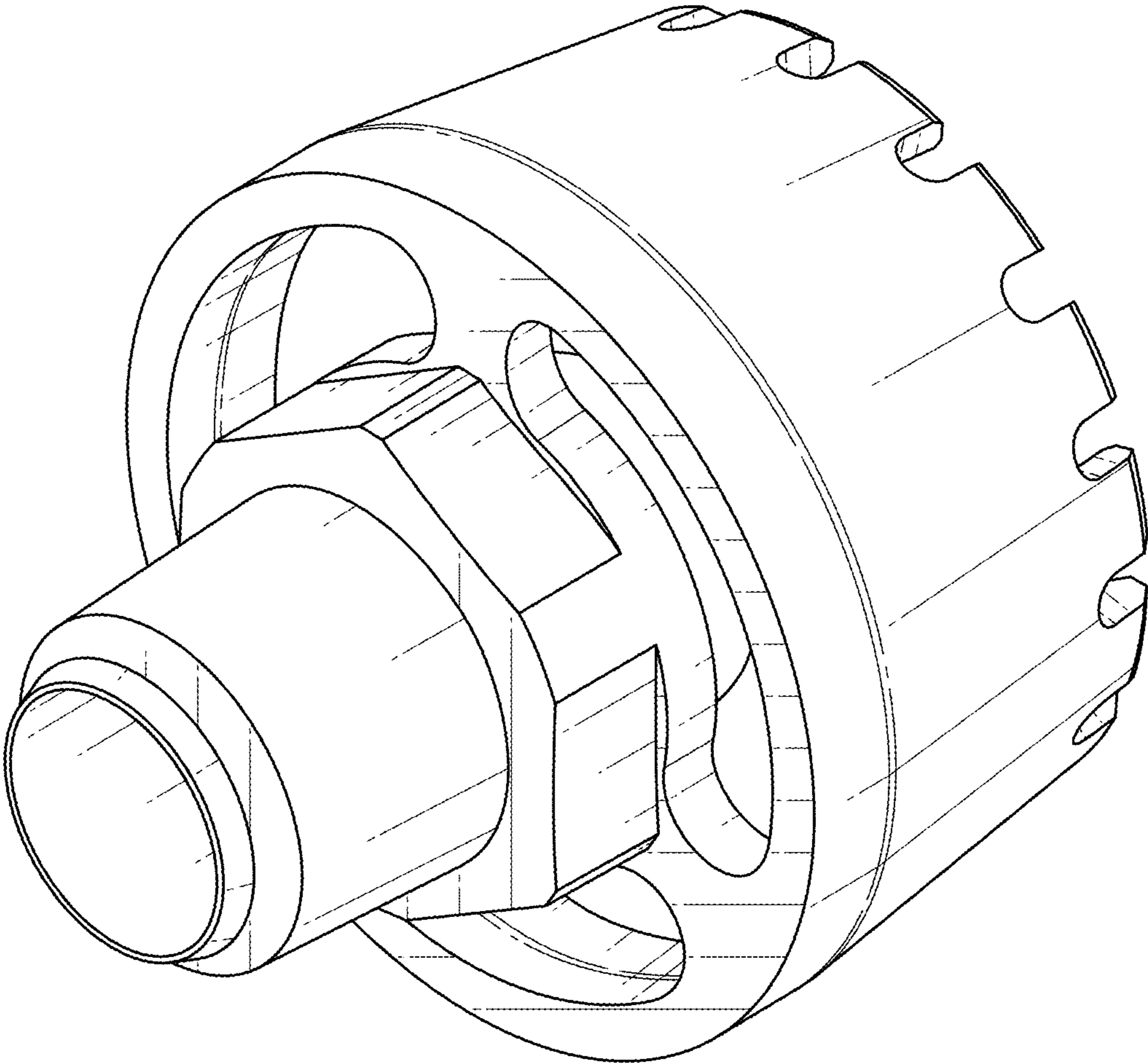


FIG. 5

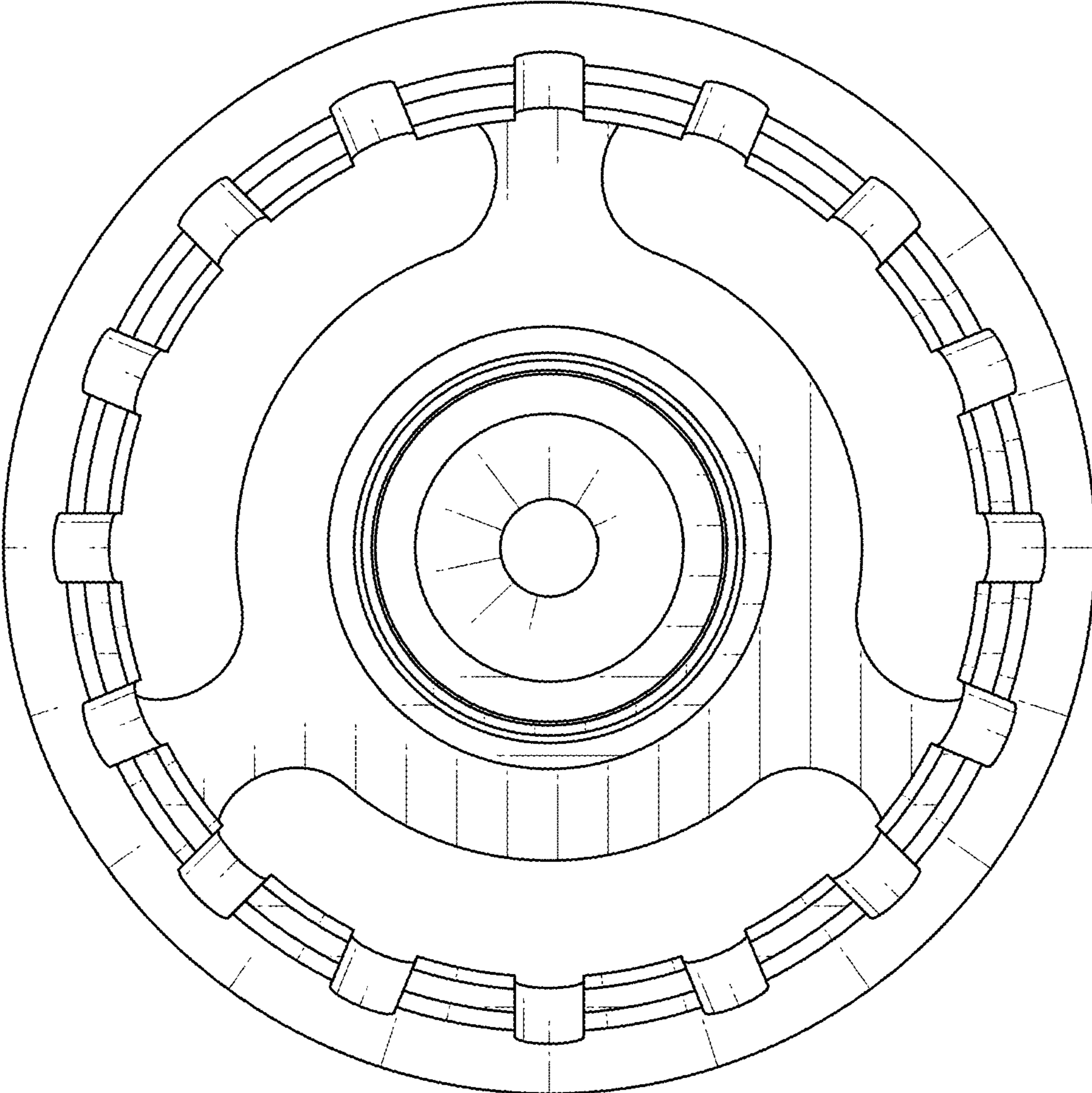


FIG. 6

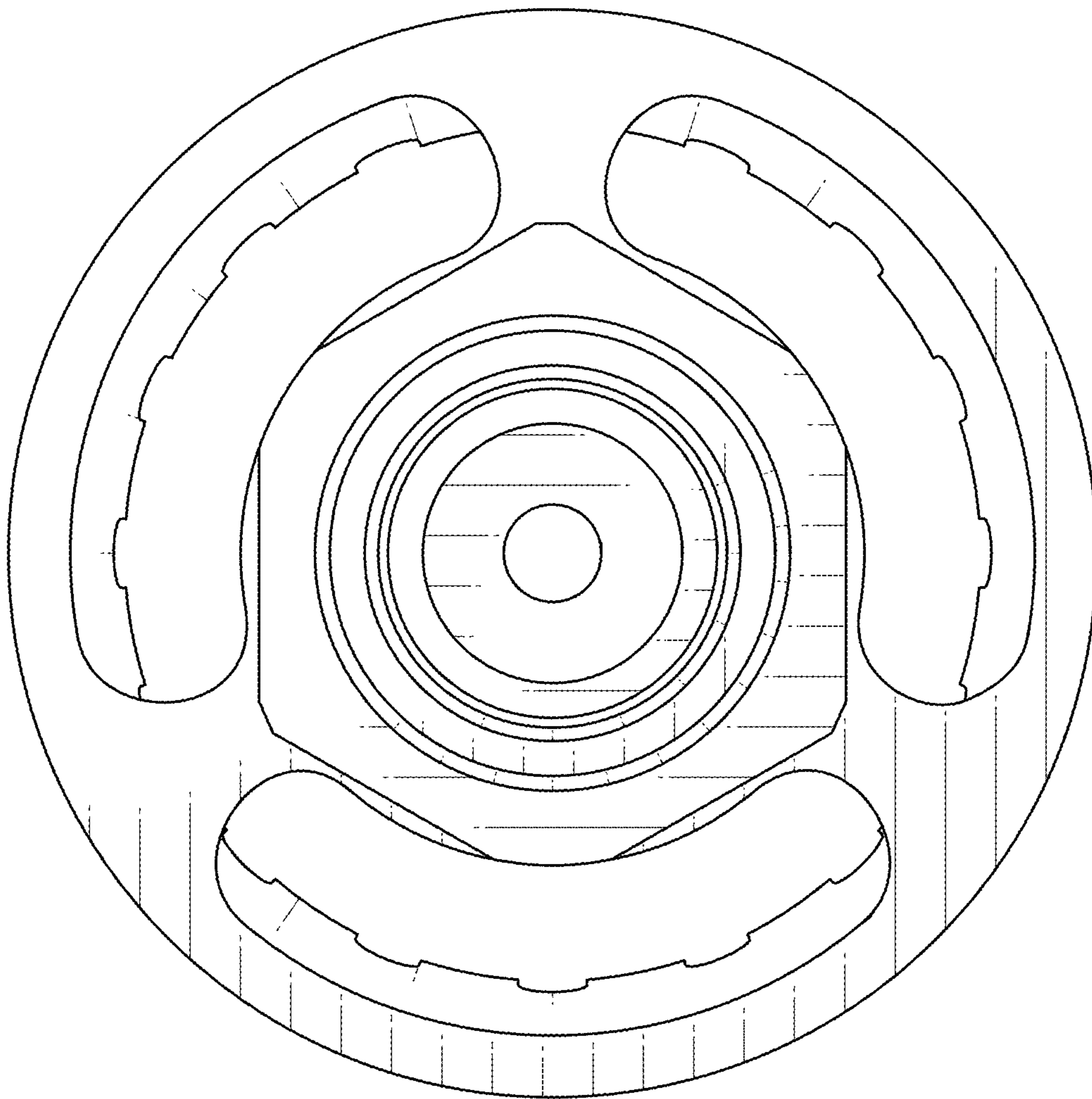


FIG. 7