



US00D913452S

(12) **United States Design Patent**
Zhu

(10) **Patent No.:** **US D913,452 S**
(45) **Date of Patent:** **** Mar. 16, 2021**

(54) **FAUCET BODY**
(71) Applicant: **Hansgrohe SE**, Schiltach (DE)
(72) Inventor: **Chuanbao Zhu**, Fujian (CN)
(73) Assignee: **Hansgrohe SE**, Schiltach (DE)
(**) Term: **15 Years**

D752,717 S * 3/2016 Eads D23/238
D796,635 S * 9/2017 Li D23/238
D797,238 S * 9/2017 Zhang D23/238
D797,244 S * 9/2017 Kulig D23/238
D797,895 S * 9/2017 Schaubach D23/252
D803,986 S * 11/2017 Schoenherr D23/238
D840,506 S * 2/2019 Garland D23/238
D840,507 S * 2/2019 Garland D23/238

(21) Appl. No.: **29/700,668**
(22) Filed: **Aug. 5, 2019**

(30) **Foreign Application Priority Data**

Feb. 20, 2019 (EM) 006262440-0008

(51) **LOC (13) Cl.** **23-01**

(52) **U.S. Cl.**
USPC **D23/255**

(58) **Field of Classification Search**
USPC D23/238, 239, 240, 241, 242, 243, 249,
D23/255, 256, 257; D6/524
CPC E03C 1/04; E03C 1/0401; E03C 1/0402;
E03C 1/0404; E03C 1/0405; E03C
1/0412; Y10T 137/9464
See application file for complete search history.

(56) **References Cited**

U.S. PATENT DOCUMENTS

D517,649 S * 3/2006 Egee D23/238
D594,936 S * 6/2009 Schoenherr D23/238
D654,568 S * 2/2012 Yu D23/238
D715,408 S * 10/2014 Georgeson D23/255
D717,403 S * 11/2014 Fritz D23/238

OTHER PUBLICATIONS

Hansgrohe Joleena Single-Hole Faucet [Aug. 25, 2020] found online [Aug. 25, 2020]—<https://www.hansgrohe-usa.com/article/detail-joleena-single-hole-faucet-100-with-pop-up-drain-1-2-gpm-04771000>.*

* cited by examiner

Primary Examiner — John A Voytek

(74) *Attorney, Agent, or Firm* — Lora J. Graentzdoerffer

(57) **CLAIM**

The ornamental design for a faucet body, as shown and described.

DESCRIPTION

FIG. 1 is a perspective view of a faucet body showing my design;
FIG. 2 is a front elevation view;
FIG. 3 is a rear elevation view;
FIG. 4 is a side elevation view;
FIG. 5 is a top plan view; and,
FIG. 6 is a bottom plan view.

The broken-line disclosures in the view represents portions of the faucet body in which the claimed design is embodied, but which forms no part of the claimed design,

1 Claim, 6 Drawing Sheets

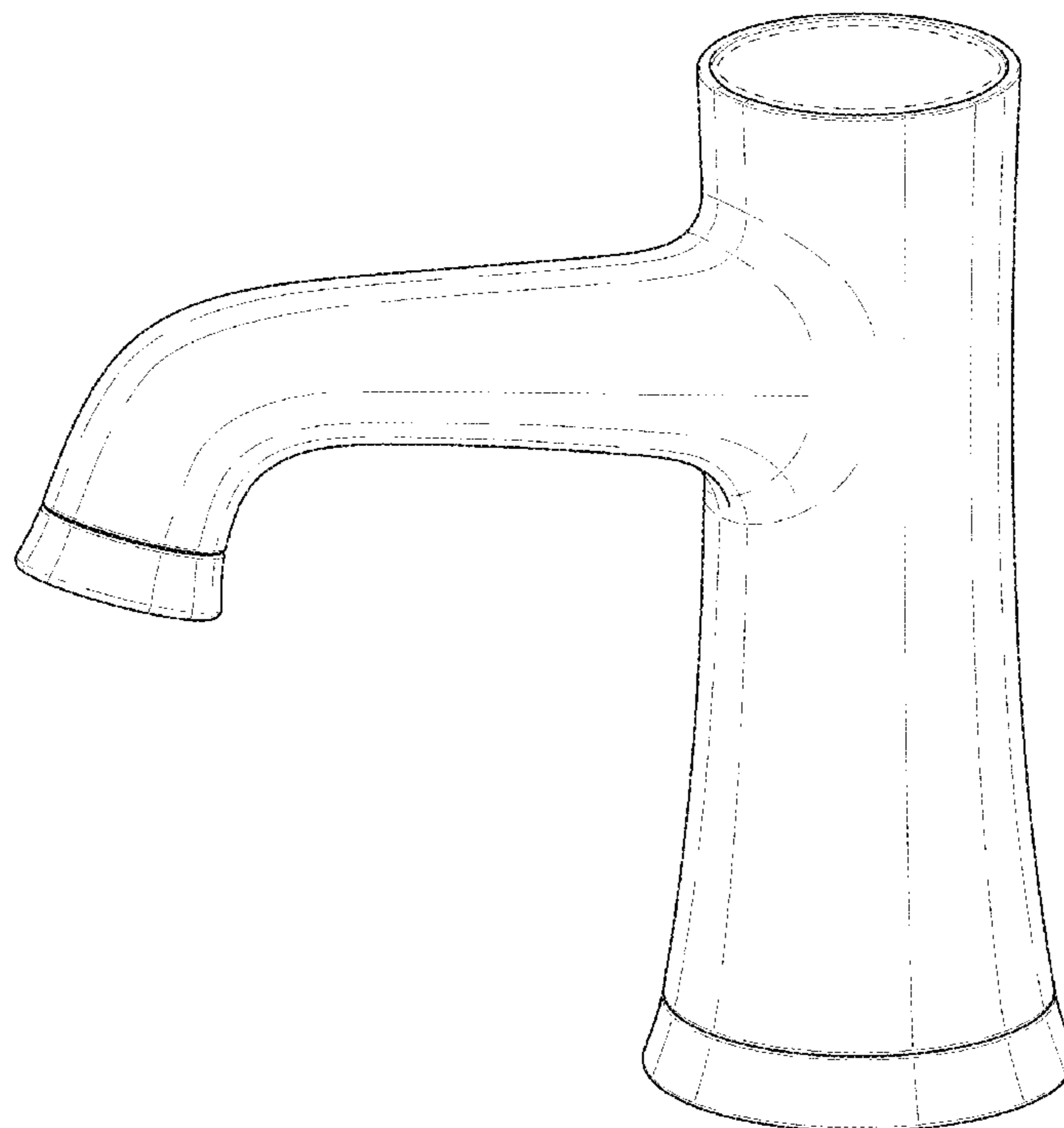


FIG. 1

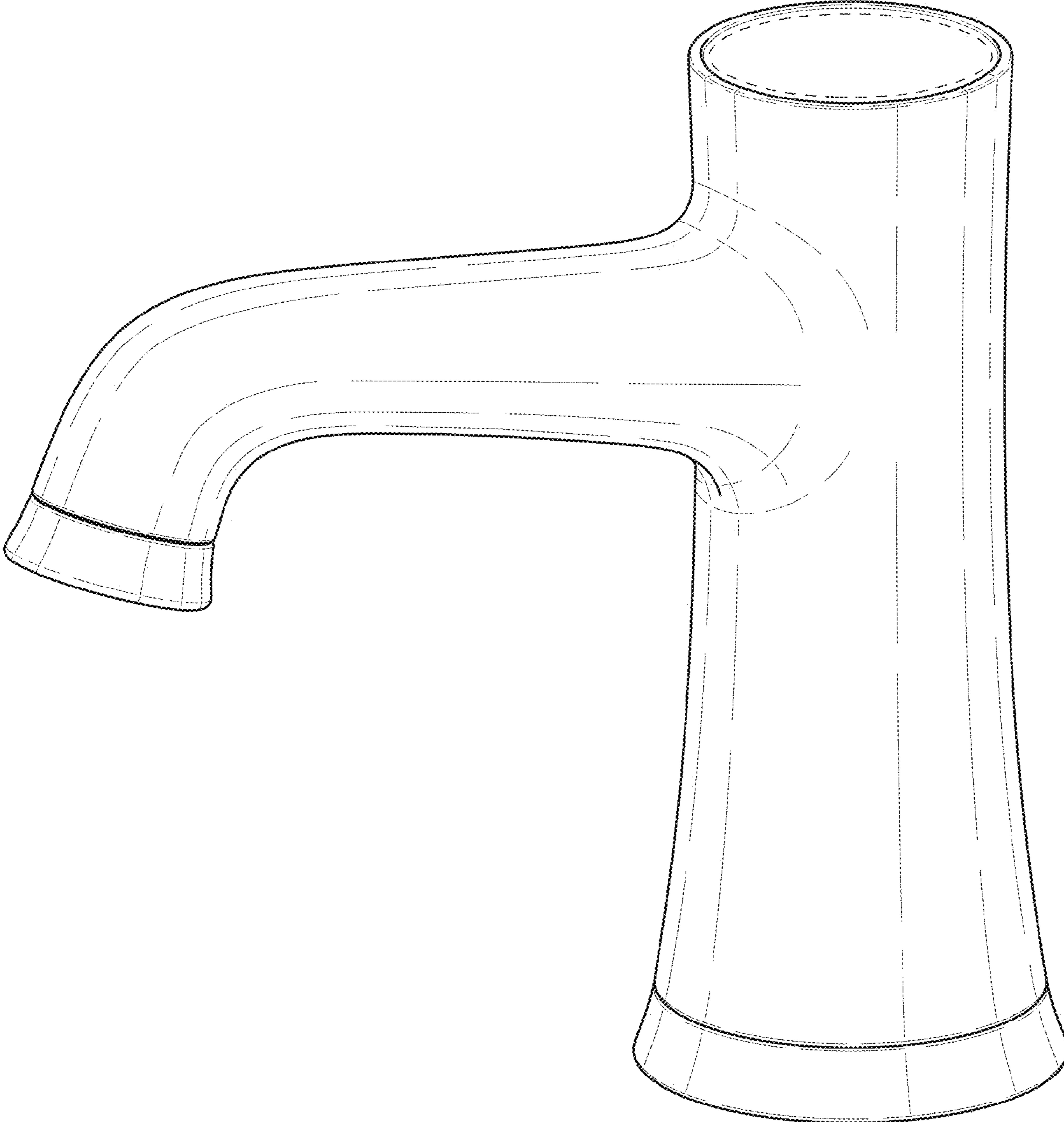


FIG. 2

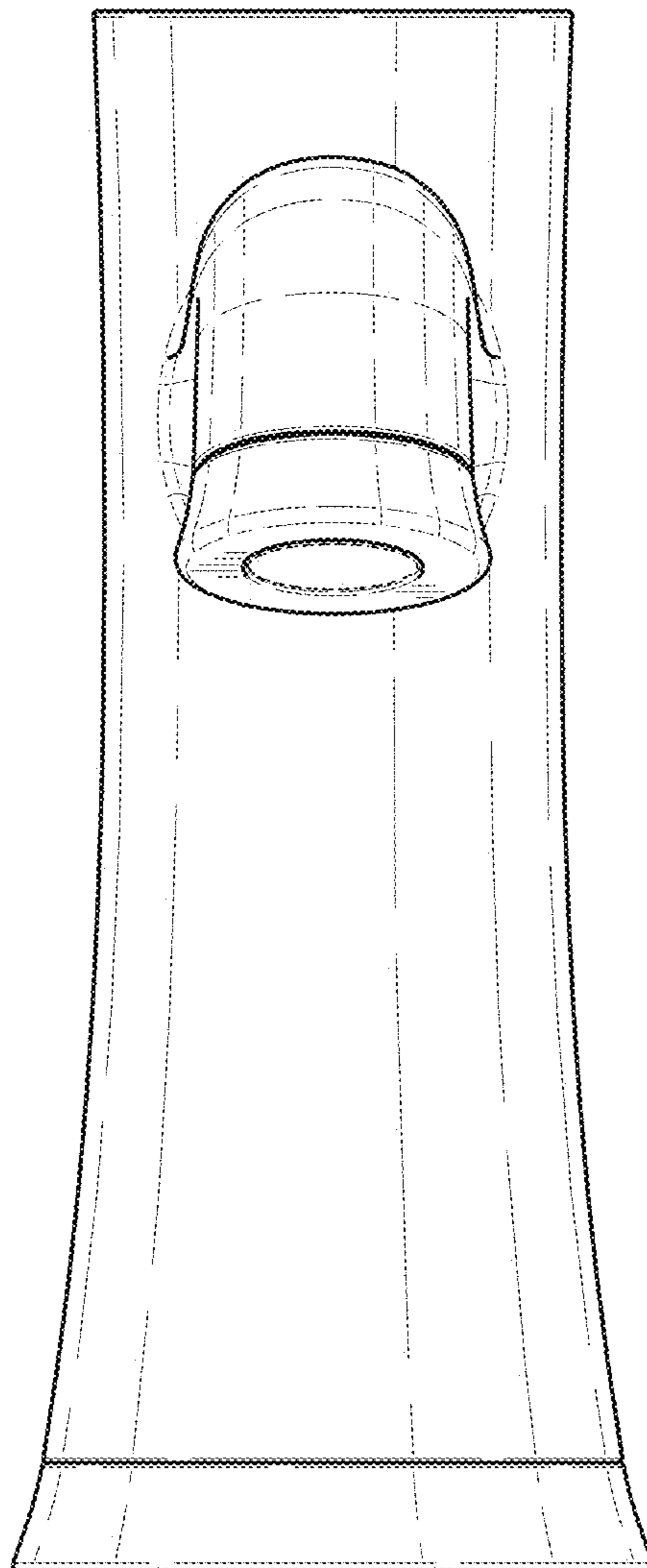


FIG. 3

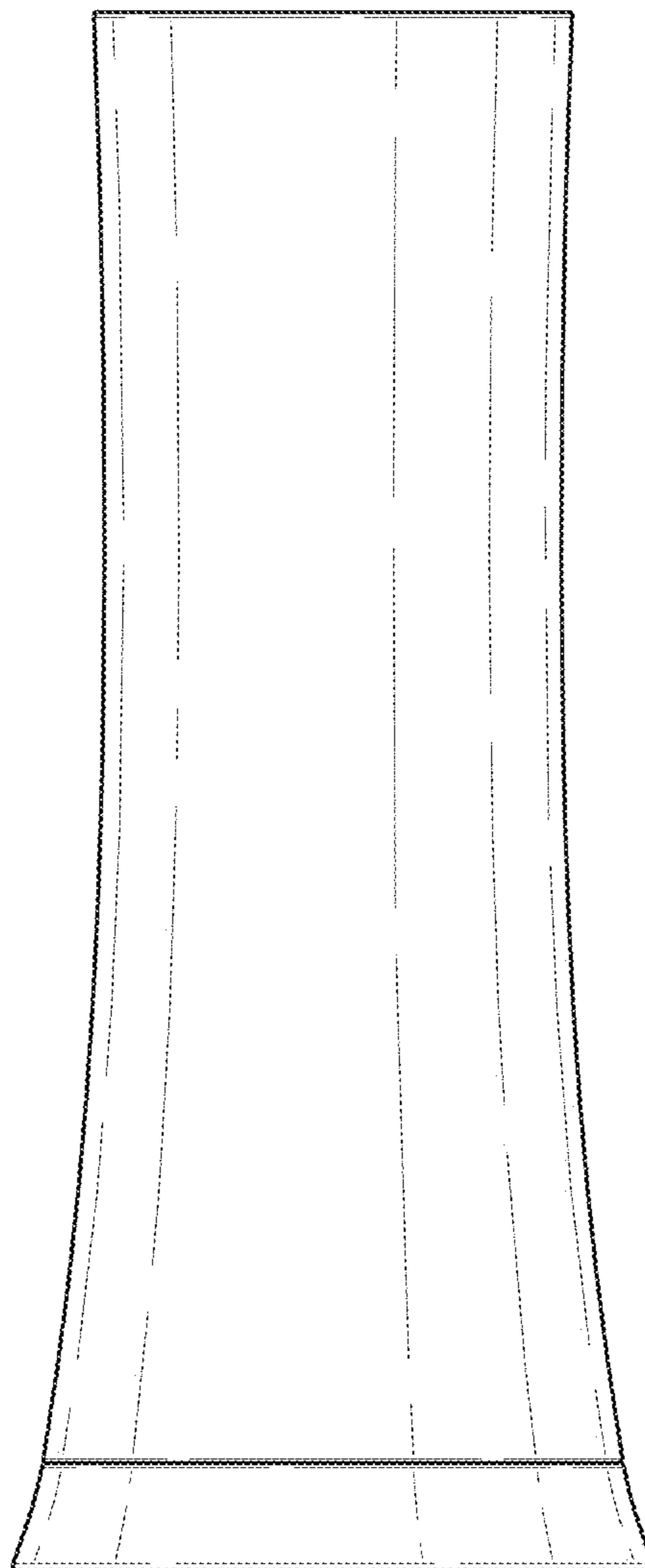


FIG. 4

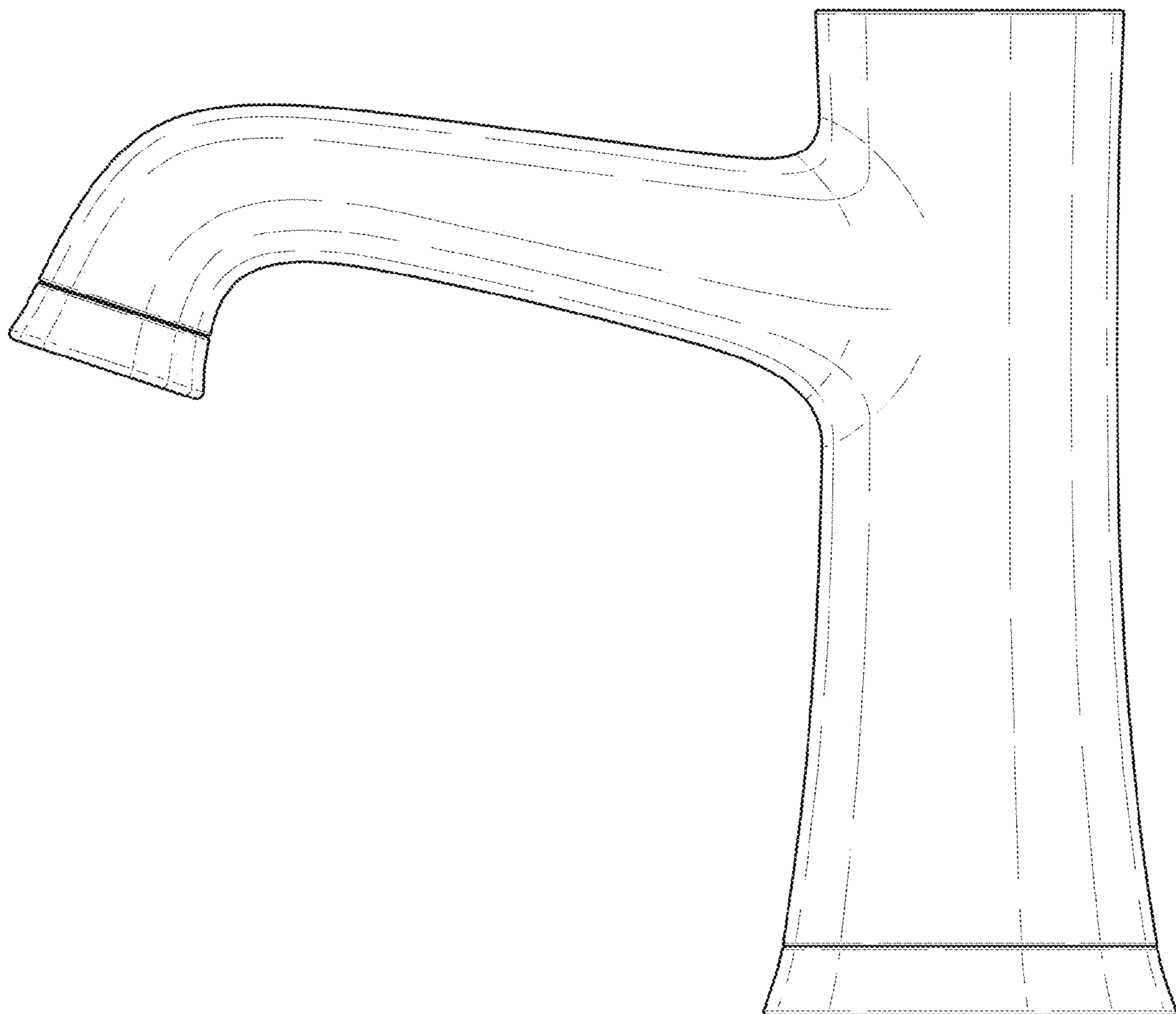


FIG. 5

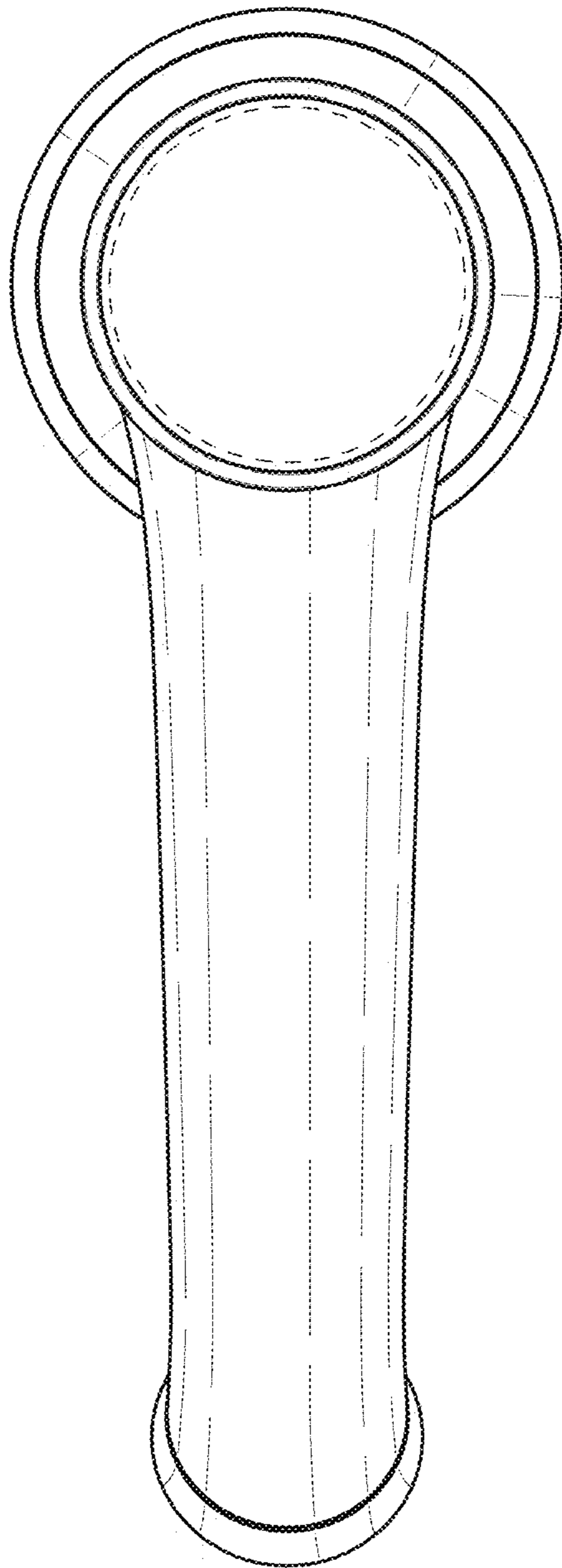


FIG. 6

