



US00D913451S

(12) **United States Design Patent**
Li

(10) **Patent No.:** **US D913,451 S**
(45) **Date of Patent:** **** Mar. 16, 2021**

(54) **FAUCET**

(71) Applicant: **Deli Li**, Guangdong (CN)

(72) Inventor: **Deli Li**, Guangdong (CN)

(**) Term: **15 Years**

(21) Appl. No.: **29/692,773**

(22) Filed: **May 29, 2019**

(51) **LOC (13) Cl.** **23-01**

(52) **U.S. Cl.**
USPC **D23/242**

(58) **Field of Classification Search**
USPC D23/238, 239, 240, 241, 242, 243, 249,
D23/255, 256, 257; D6/524
CPC E03C 1/04; E03C 1/0401; E03C 1/0402;
E03C 1/0404; E03C 1/0405; E03C
1/0412; Y10T 137/9464
See application file for complete search history.

(56) **References Cited**

U.S. PATENT DOCUMENTS

D513,635 S *	1/2006	Haug	D23/238
D529,995 S *	10/2006	Smith	D23/238
D582,009 S *	12/2008	Citterio	D23/238
D636,065 S *	4/2011	Schoenherr	D23/255
D827,780 S *	9/2018	Soulier	D23/238
D828,515 S *	9/2018	Seum	D23/242

D828,516 S *	9/2018	Liu	D23/242
D838,346 S *	1/2019	Soulier	D23/238
D846,702 S *	4/2019	Liu	D23/238

OTHER PUBLICATIONS

Hansgrohe Metris S Wall-Mounted Single-Handle Faucet Trim [Jul. 21, 2020] found online [Jul. 21, 2020]—<https://www.hansgrohe-usa.com/articledetail-metris-s-wall-mounted-single-handle-faucet-trim-1-2-gpm-31163001>.*

* cited by examiner

Primary Examiner — John A Voytek

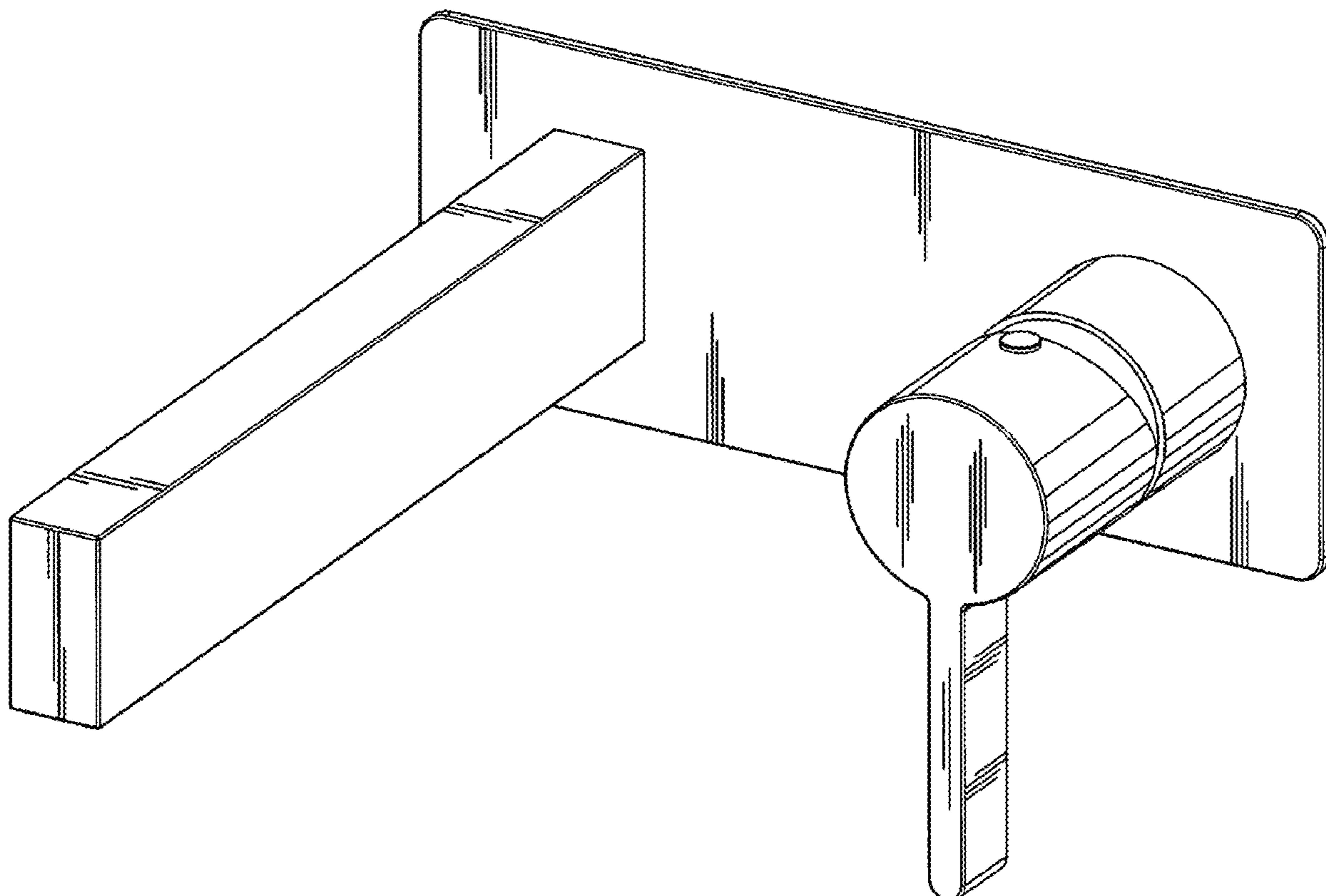
(57) **CLAIM**

The ornamental design for a faucet, as shown and described.

DESCRIPTION

FIG. 1 is a front elevational view of a faucet showing my new design;
FIG. 2 is a rear elevational view thereof;
FIG. 3 is a left side view thereof;
FIG. 4 is a right side view thereof;
FIG. 5 is a top plan view thereof;
FIG. 6 is a bottom plan view thereof; and,
FIG. 7 is a perspective view thereof.
The broken lines shown in faucet form no part of the claimed design.

1 Claim, 7 Drawing Sheets



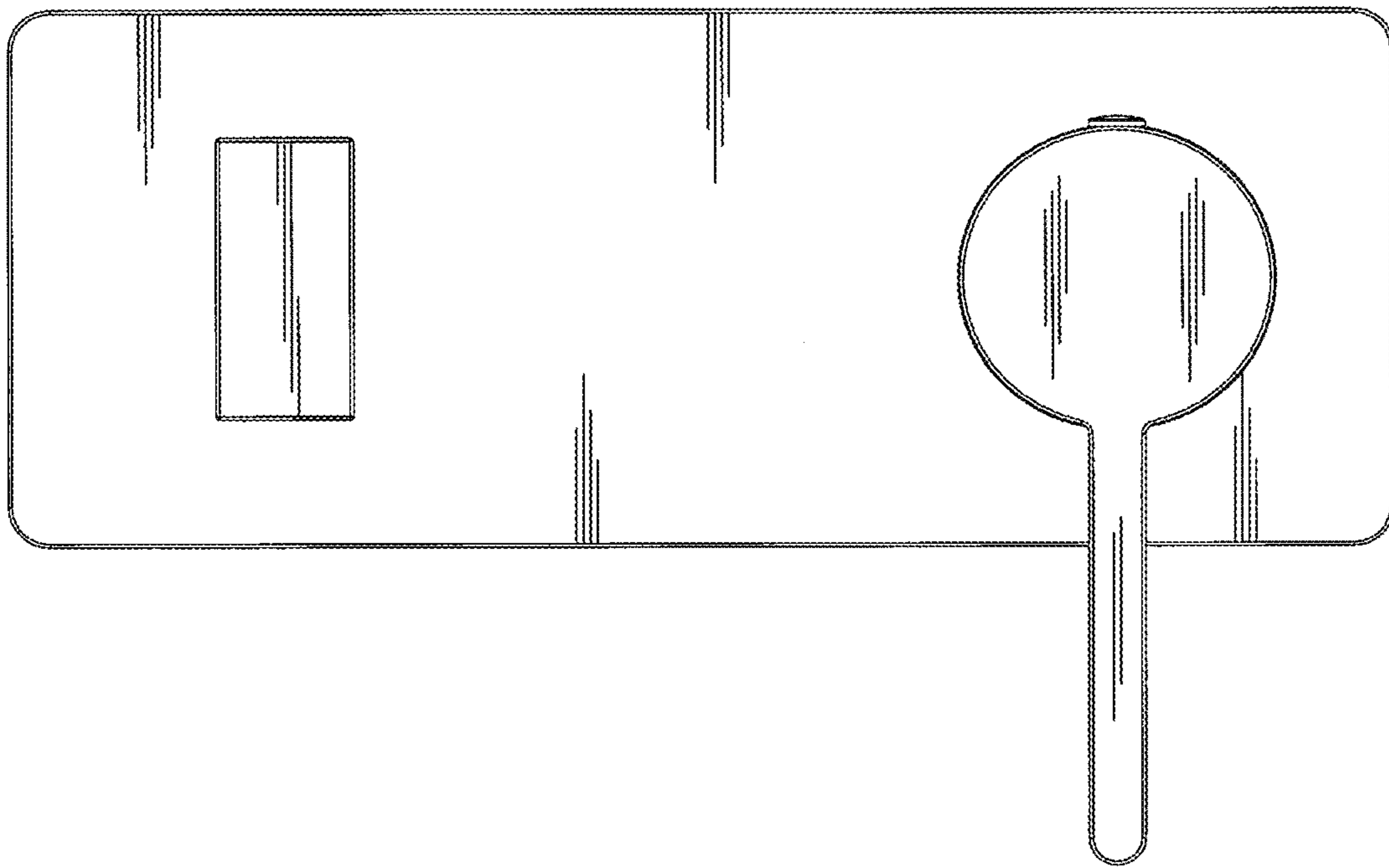


FIG. 1

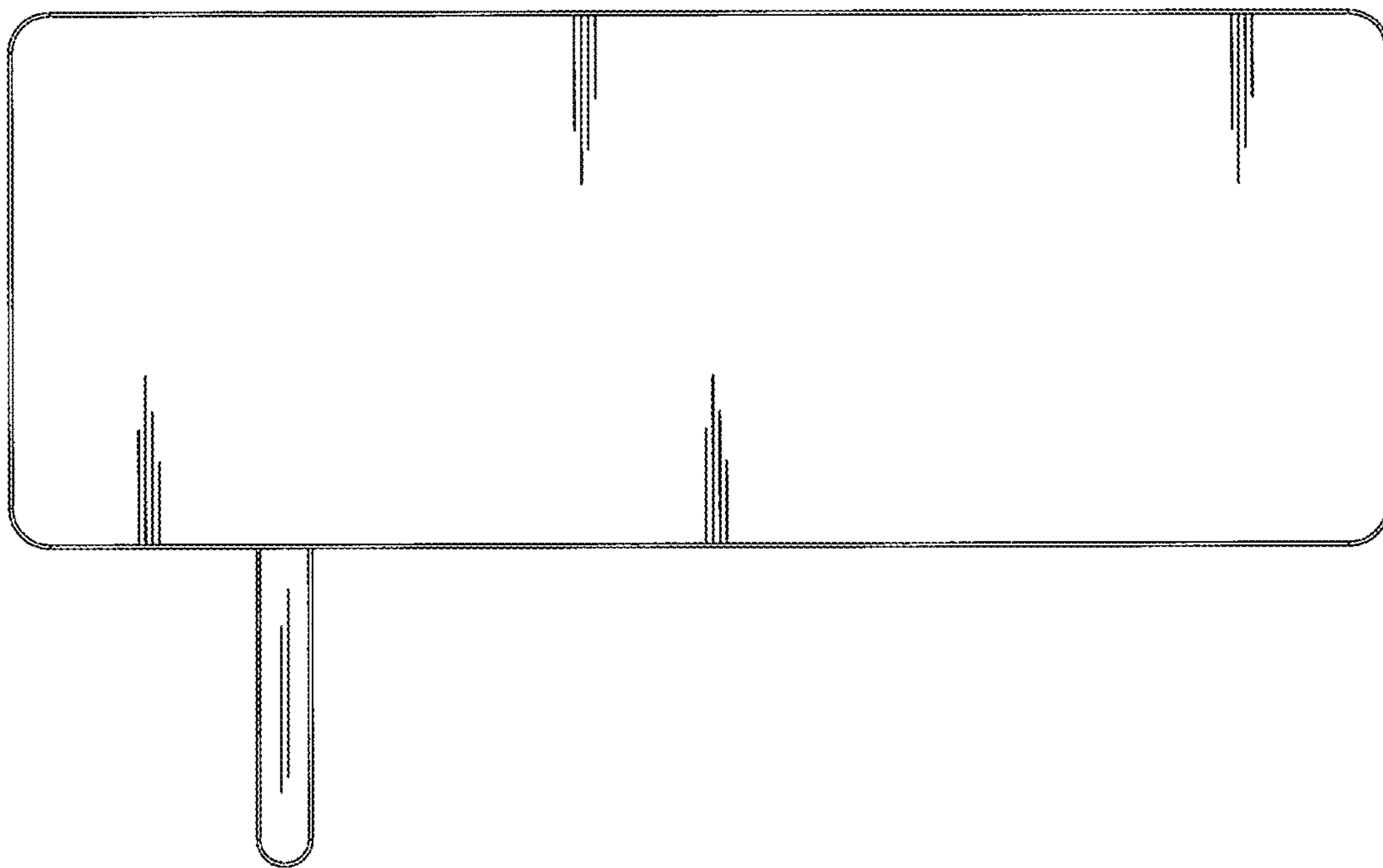


FIG. 2

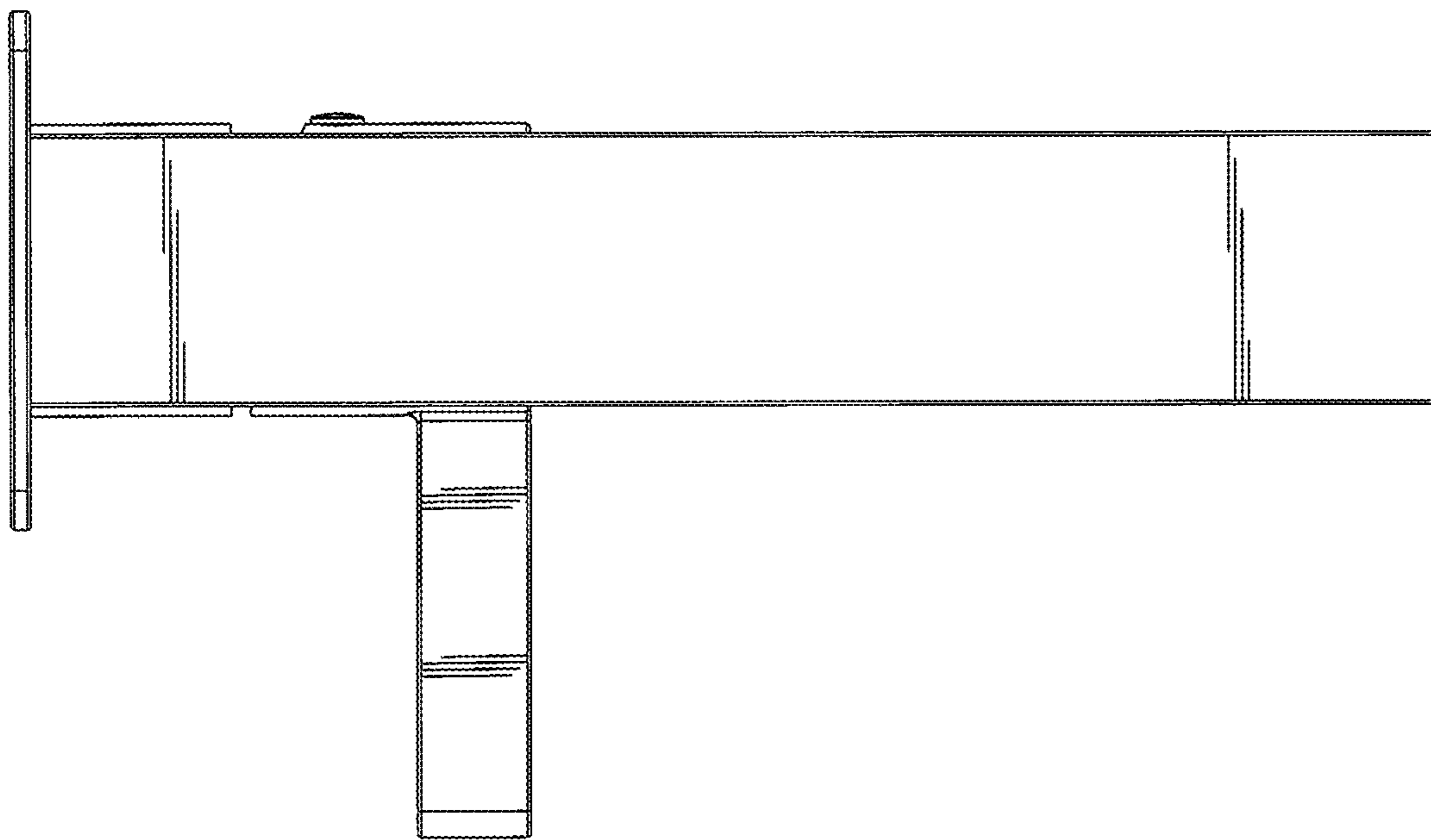


FIG. 3

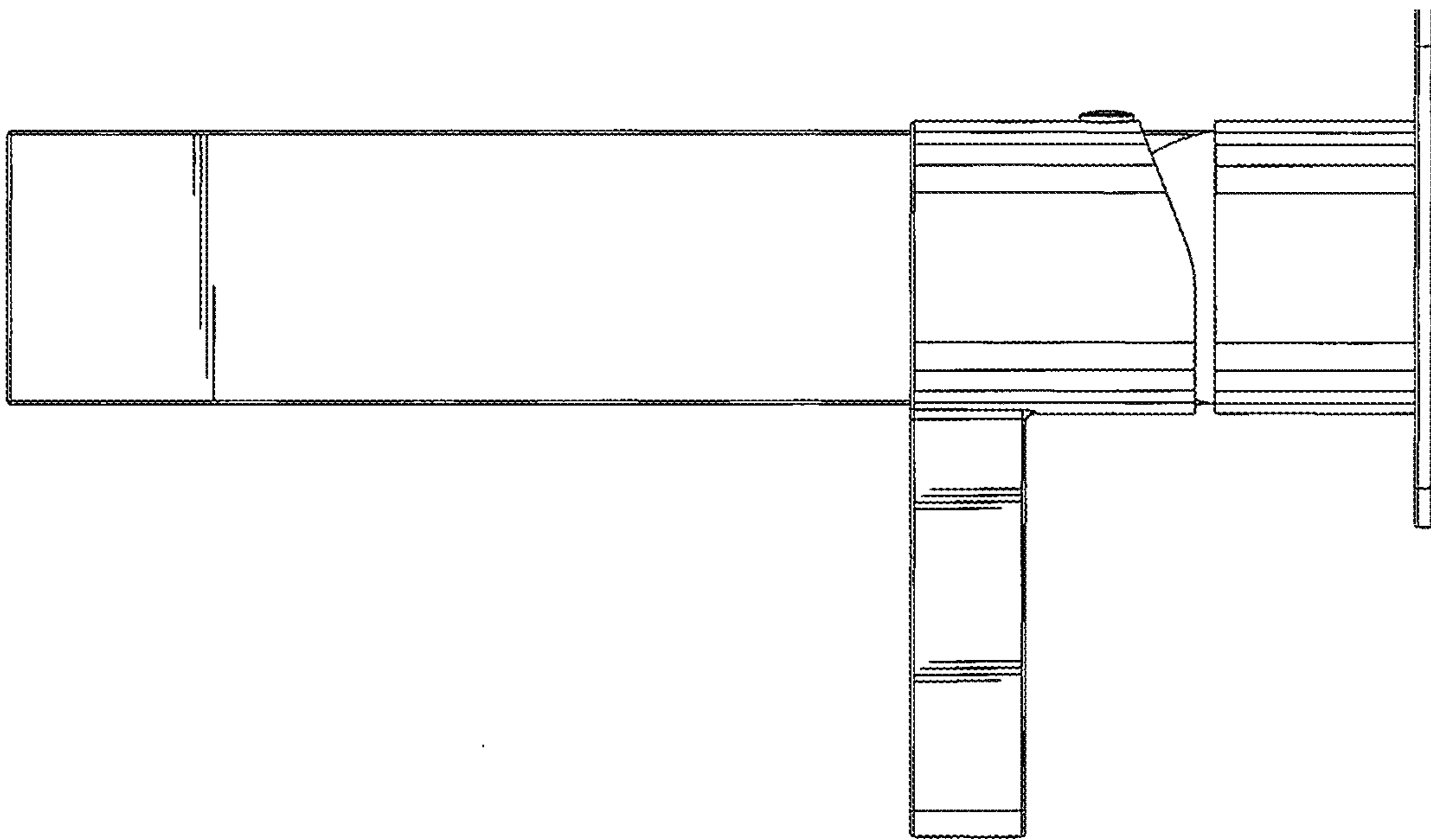


FIG. 4

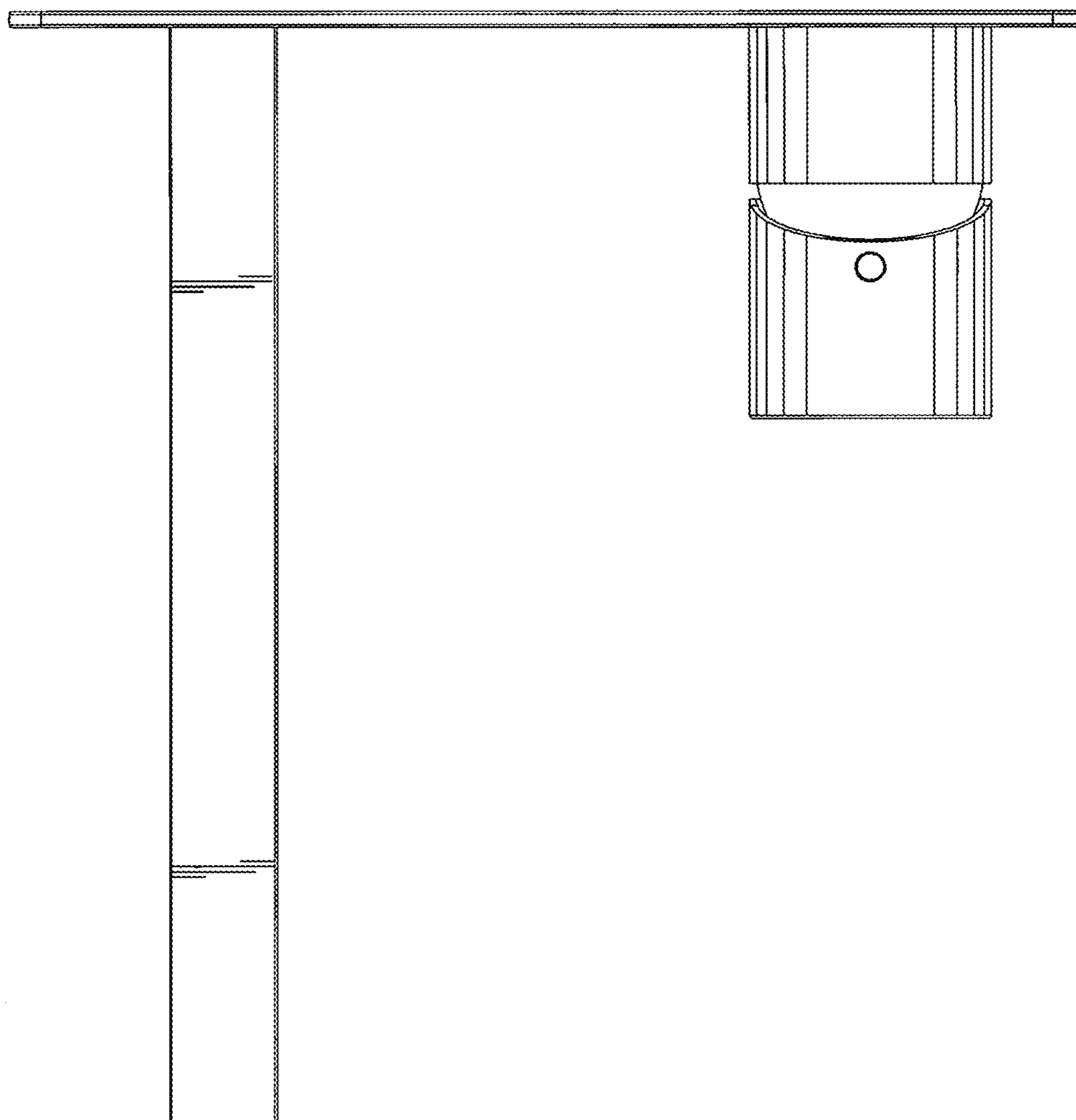


FIG. 5

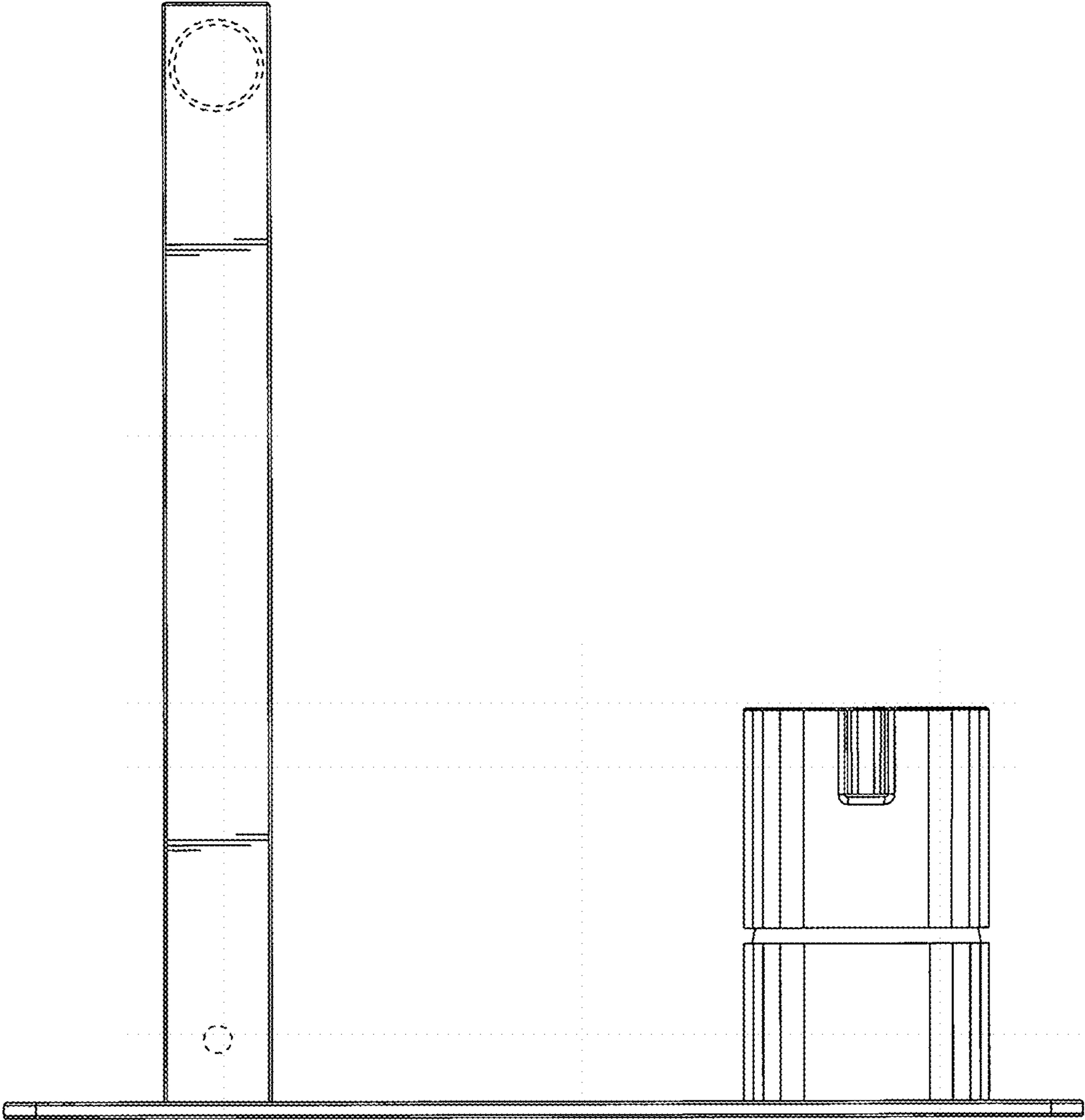


FIG. 6

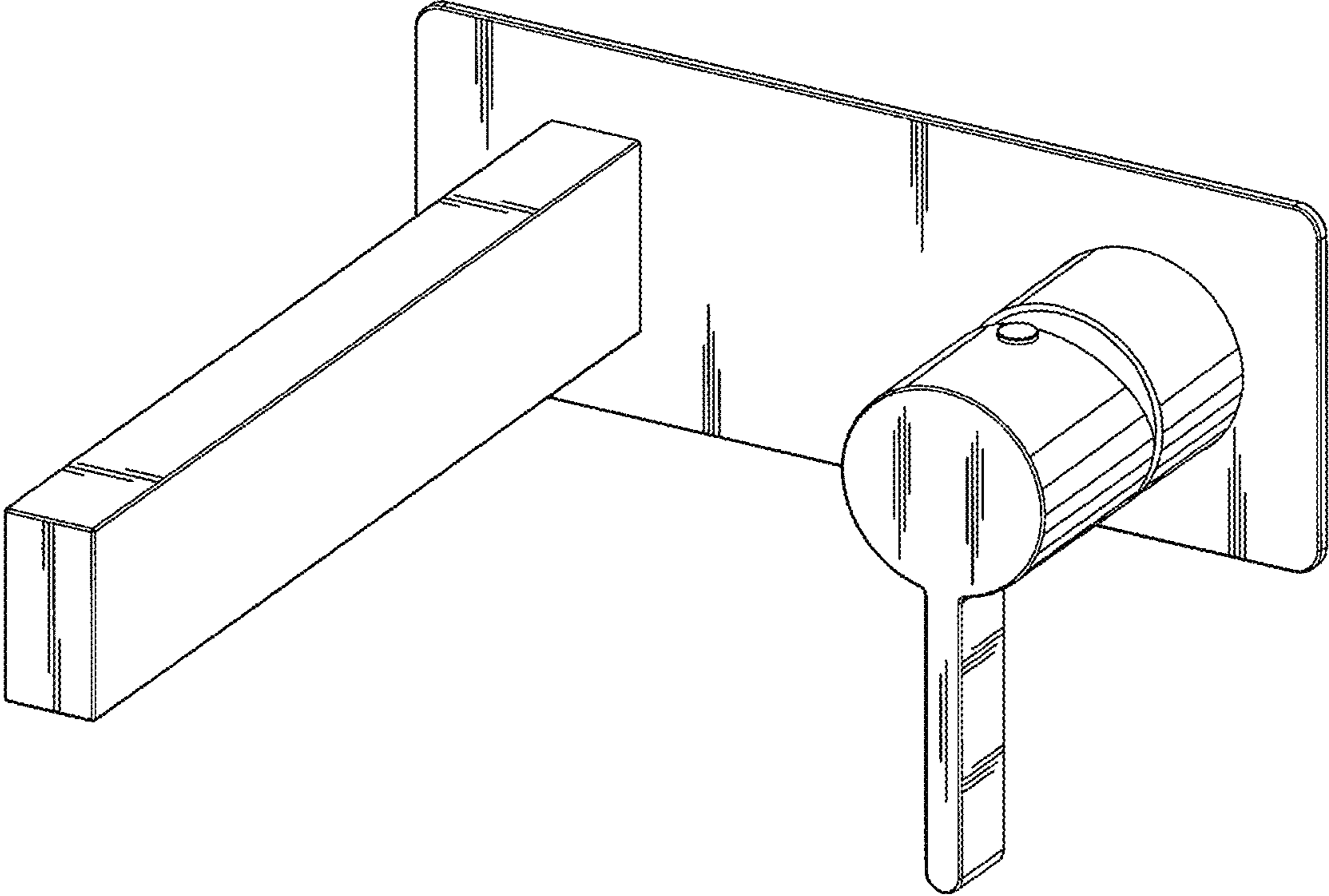


FIG. 7