



US00D913450S

(12) **United States Design Patent** (10) **Patent No.:** **US D913,450 S**
Bahler (45) **Date of Patent:** **** Mar. 16, 2021**

- (54) **FAUCET**
- (71) Applicant: **DELTA FAUCET COMPANY**,
Indianapolis, IN (US)
- (72) Inventor: **Jordan Bahler**, Frankfort, IN (US)
- (73) Assignee: **DELTA FAUCET COMPANY**,
Indianapolis, IN (US)
- (**) Term: **15 Years**
- (21) Appl. No.: **29/687,405**
- (22) Filed: **Apr. 12, 2019**
- (51) **LOC (13) Cl.** **23-01**
- (52) **U.S. Cl.**
USPC **D23/242; D23/238**
- (58) **Field of Classification Search**
USPC **D23/238-242, 254, 255, 257**
See application file for complete search history.

- D822,171 S * 7/2018 Bennett D23/242
- D839,390 S * 1/2019 Eads D23/242
- D859,591 S * 9/2019 Kuang D23/242
- D865,126 S * 10/2019 Zeng D23/242
- D873,965 S * 1/2020 Lazarini D23/241
- 2019/0390446 A1* 12/2019 Mooren E03C 1/0401

FOREIGN PATENT DOCUMENTS

- CA 82581 * 12/1997
 - CA 86499 * 4/1999
- (Continued)

OTHER PUBLICATIONS

Two handle faucet, announced Date unavailable[online], [site visited Jul. 13, 2020]. Available from internet, URL:<<https://www.deltafaucet.com/kitchen/product/2497LF-CZ>> (Year: 2020).*

(Continued)

Primary Examiner — Barbara Fox
Assistant Examiner — Jamaal Rasheed
 (74) *Attorney, Agent, or Firm* — Nirav D. Parikh; Edgar A. Zarins

(56) **References Cited**

U.S. PATENT DOCUMENTS

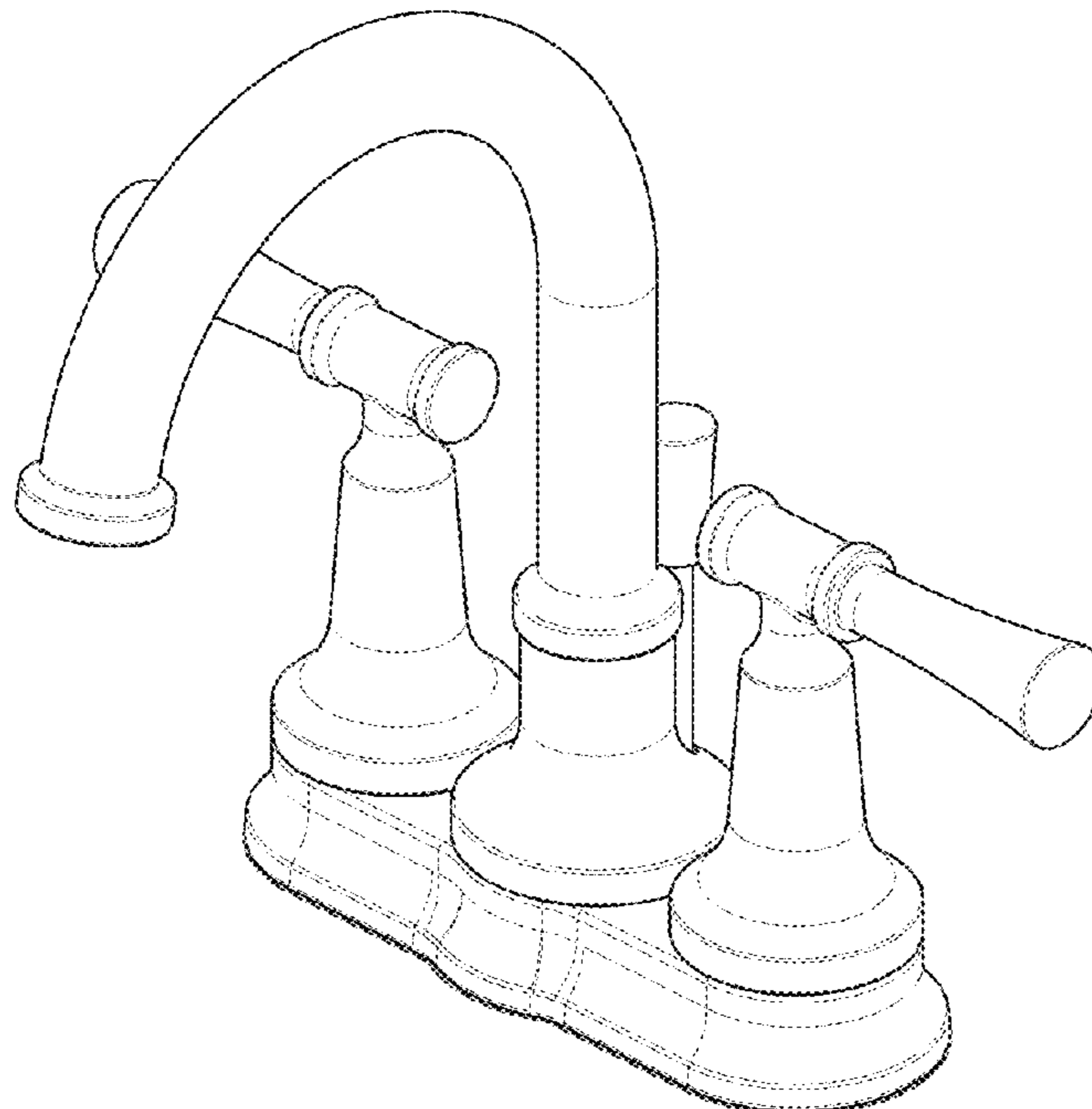
- D368,302 S * 3/1996 Doughty D23/241
- D406,876 S * 3/1999 Ko D23/241
- D518,149 S * 3/2006 Spangler D23/241
- D520,115 S * 5/2006 Fritz D23/241
- D522,093 S * 5/2006 Fritz D23/241
- D643,096 S * 8/2011 Corbett D23/242
- D657,019 S * 4/2012 Padgett D23/242
- D704,305 S * 5/2014 Flowers D23/242
- D754,297 S * 4/2016 Garland D23/242
- D755,932 S * 5/2016 Fritz D23/242
- D767,099 S * 9/2016 Flowers D23/242
- D791,279 S * 7/2017 Fritz D23/242
- D791,280 S * 7/2017 Fritz D23/242
- D796,638 S * 9/2017 Liao D23/242
- D820,409 S * 6/2018 Zeng D23/242

(57) **CLAIM**
 The ornamental design for a faucet, as shown and described.

DESCRIPTION

FIG. 1 is a front perspective view of a faucet showing my new design;
 FIG. 2 is a rear perspective view thereof;
 FIG. 3 is a front elevational view thereof;
 FIG. 4 is a left side view thereof;
 FIG. 5 is a rear view thereof;
 FIG. 6 is a right side view thereof; and,
 FIG. 7 is a top plan view thereof.

1 Claim, 4 Drawing Sheets



(56)

References Cited

FOREIGN PATENT DOCUMENTS

CA	146286	*	7/2012
CA	151300	*	6/2014

OTHER PUBLICATIONS

Two Handle Faucet, announced Date unavailable[online], [site visited Jul. 13, 2020]. Available from internet, URL:< <https://www.deltafaucet.com/kitchen/product/21716LF-OB>> (Year: 2020).*

Two Handle Faucet, announced Date unavailable[online], [site visited Jul. 13, 2020]. Available from internet, URL:< <https://www.deltafaucet.com/kitchen/product/21742LF>> (Year: 2020).*

* cited by examiner

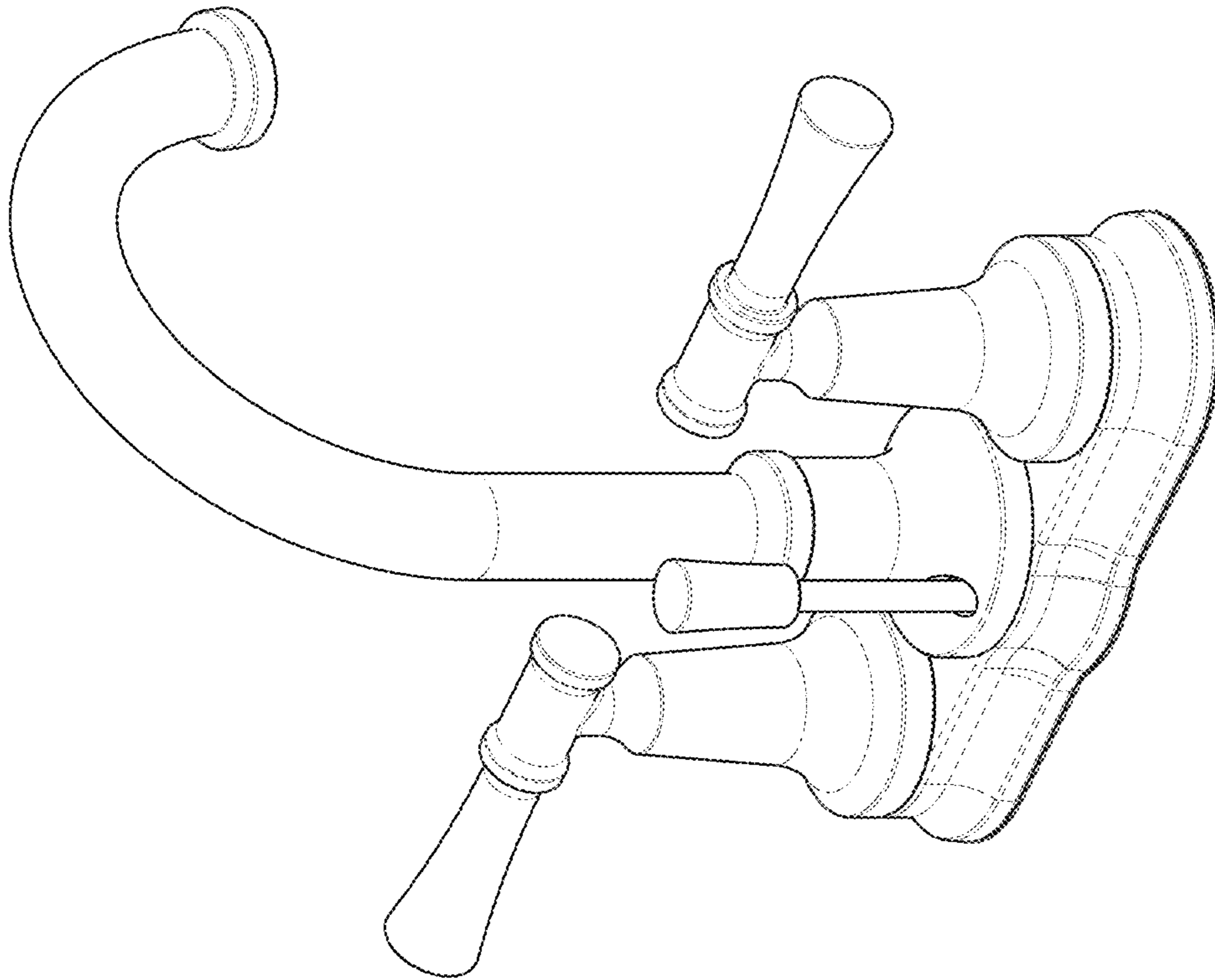


FIG - 2

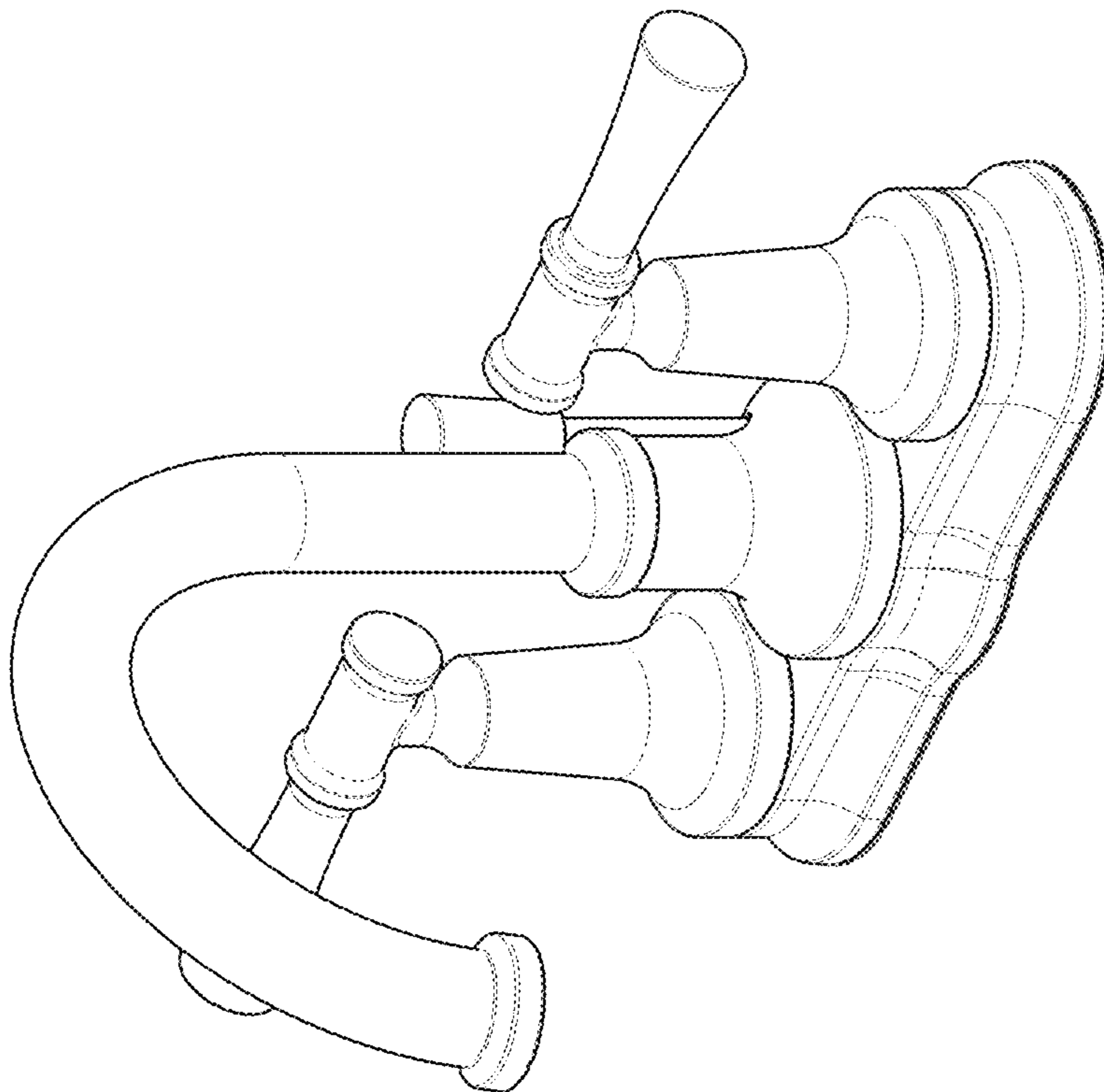


FIG - 1

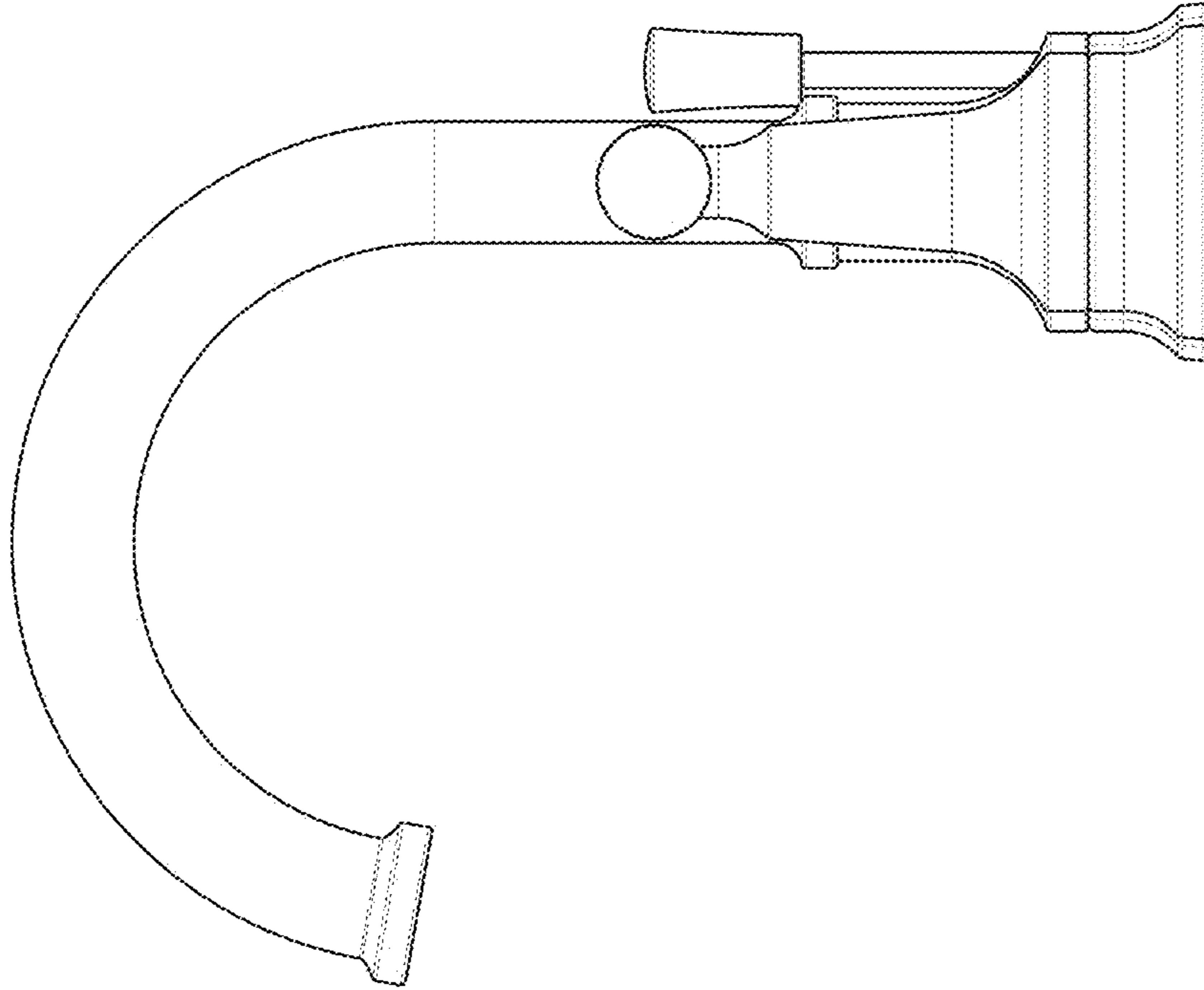


FIG - 4

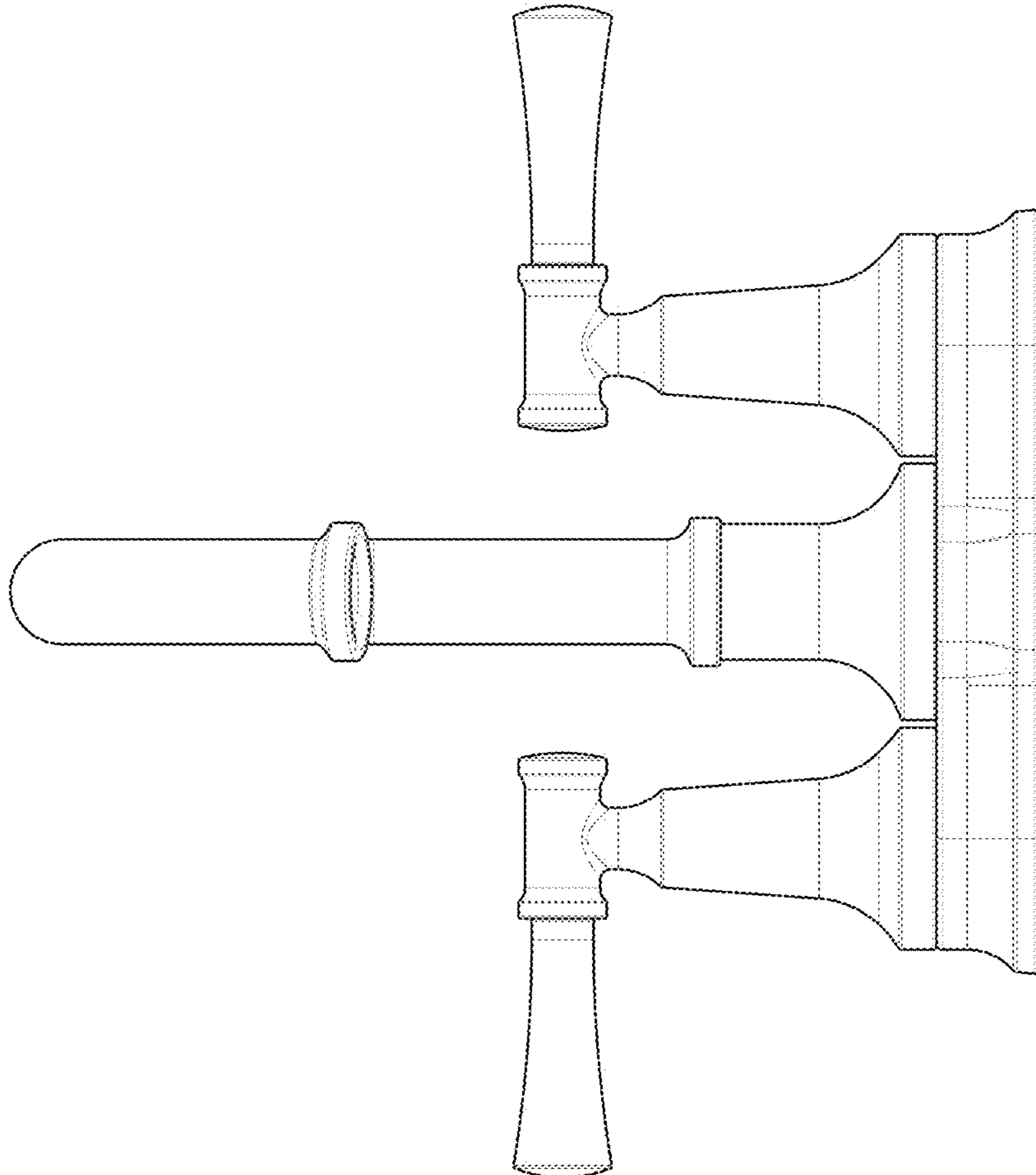


FIG - 3

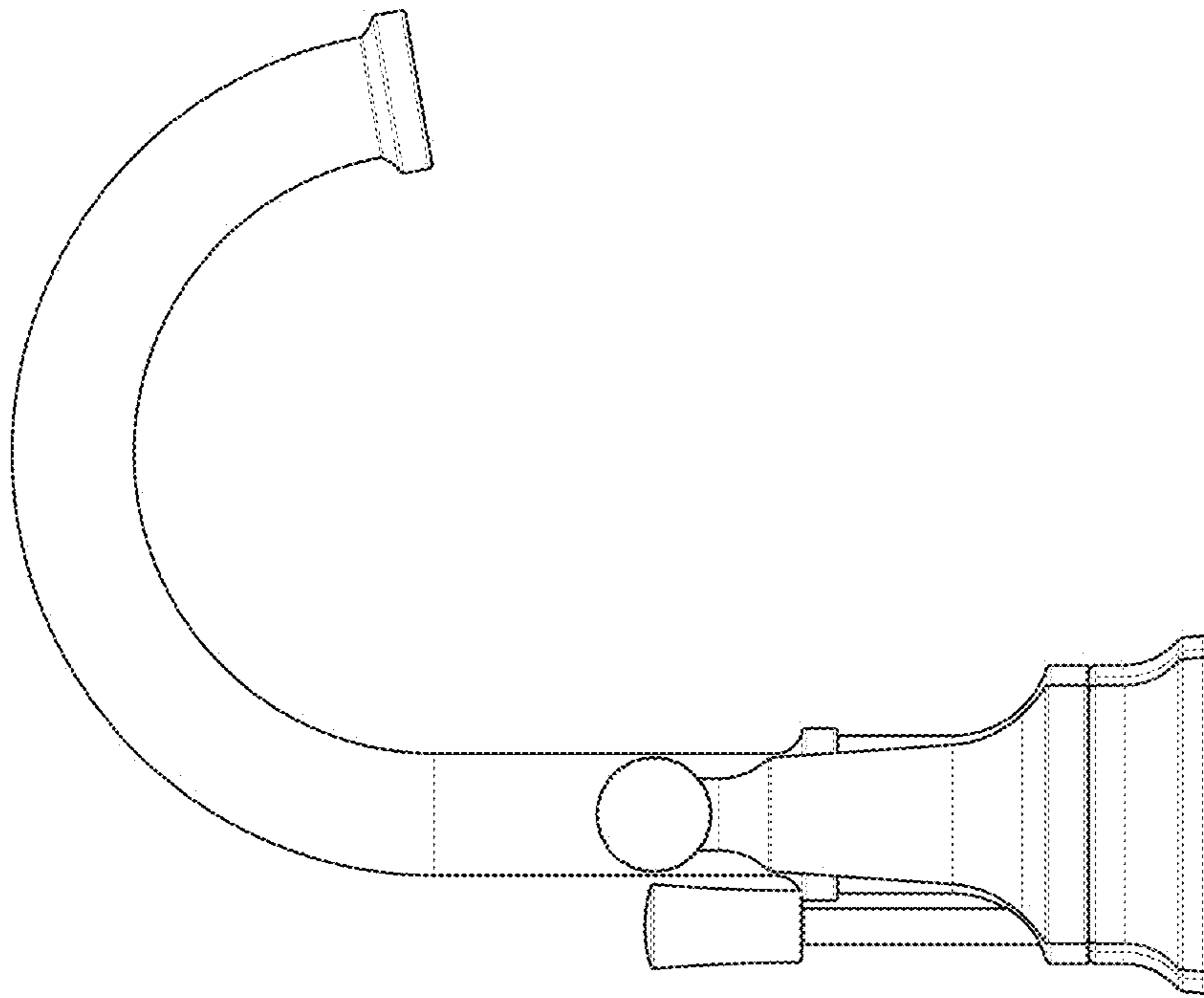


FIG - 6

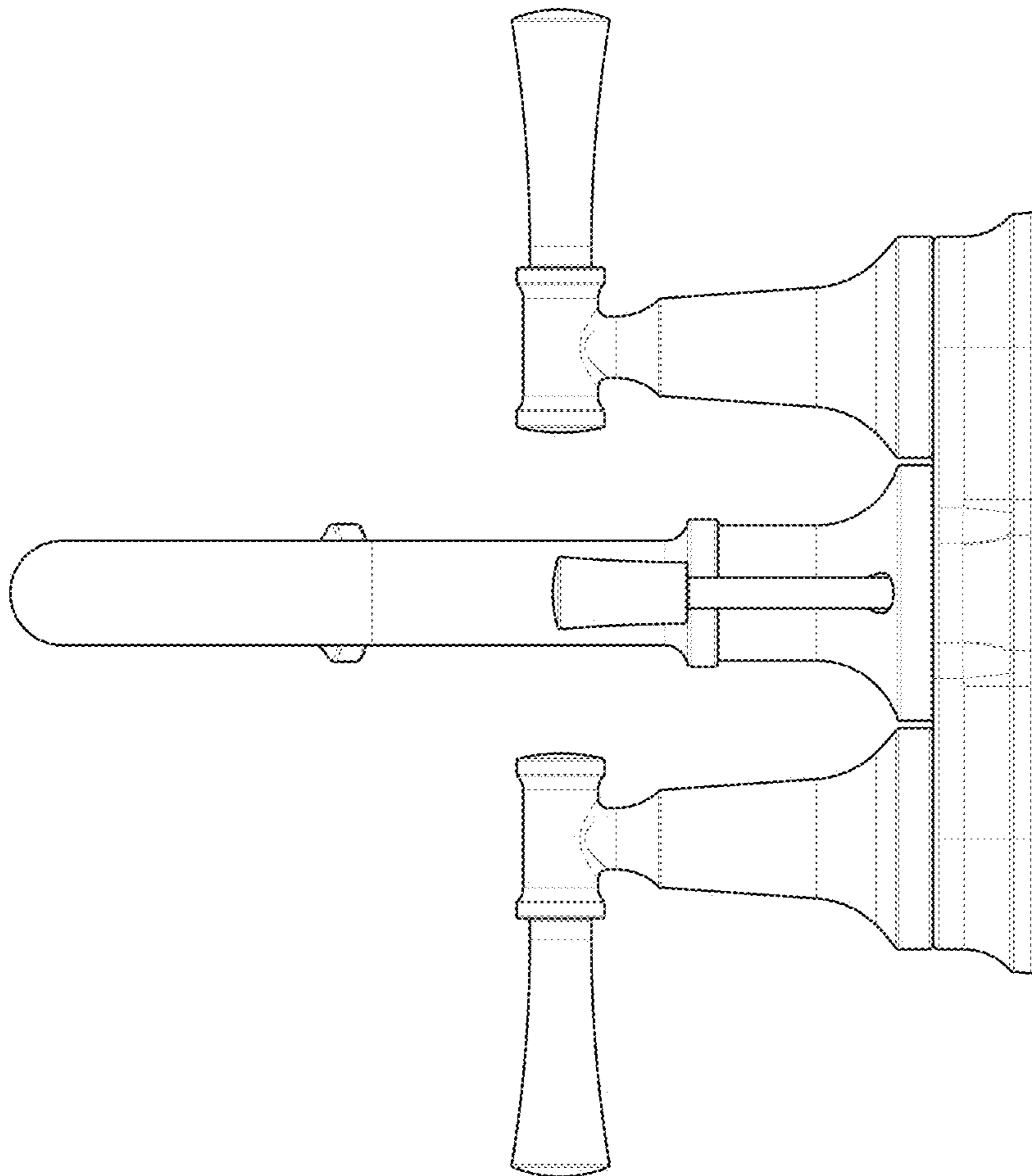


FIG - 5

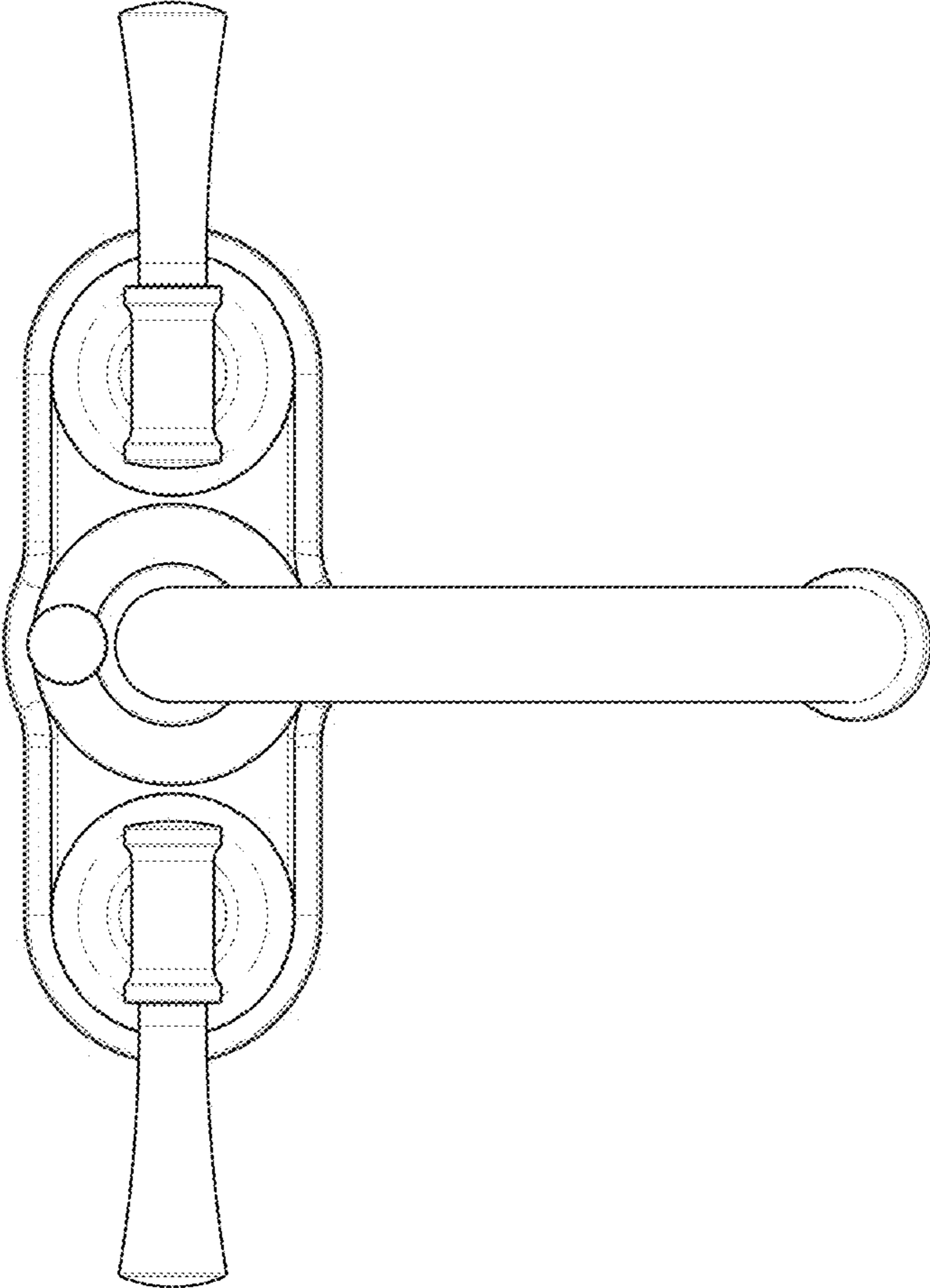


FIG. 7