



US00D913448S

(12) **United States Design Patent** (10) **Patent No.:** **US D913,448 S**
Wieser et al. (45) **Date of Patent:** **** Mar. 16, 2021**

(54) **LAVATORY FIXTURE WITH INTEGRATED FAUCET, SOAP DISPENSER, AND HAND DRYER**

(71) Applicant: **Bradley Fixtures Corporation**,
Menomonee Falls, WI (US)
(72) Inventors: **Matthias Wieser**, Wendlingen (DE);
Pablo Bernal Ruesta, Stuttgart (DE);
Alexander Hoffart, Bindlach (DE);
Andreas Dimitriadis, Lorch (DE)
(73) Assignee: **Bradley Fixtures Corporation**,
Menomonee Falls, WI (US)

(**) Term: **15 Years**

(21) Appl. No.: **29/681,474**

(22) Filed: **Feb. 26, 2019**

Related U.S. Application Data

(62) Division of application No. 29/608,028, filed on Jun. 19, 2017, now Pat. No. Des. 865,912, which is a division of application No. 29/562,610, filed on Apr. 27, 2016, now abandoned.

(51) **LOC (13) Cl.** **23-01**

(52) **U.S. Cl.**
USPC **D23/240**

(58) **Field of Classification Search**
USPC D23/238, 239, 240, 241, 242, 243, 249,
D23/255, 256, 257; D6/524
CPC E03C 1/04; E03C 1/0401; E03C 1/0402;
E03C 1/0404; E03C 1/0405; E03C
1/0412; Y10T 137/9464
See application file for complete search history.

(56) **References Cited**

U.S. PATENT DOCUMENTS

D340,179	S	*	10/1993	Mirick	D8/301
D384,266	S	*	9/1997	Mantarakis	D8/301
D546,160	S	*	7/2007	Reithmeyer	D8/301
D663,803	S	*	7/2012	Tang	D23/238
D785,759	S	*	5/2017	Murray	D23/238
D820,404	S	*	6/2018	Wieser	D23/239
D820,406	S	*	6/2018	Wieser	D23/239
D820,408	S	*	6/2018	Murray	D23/240
D823,997	S	*	7/2018	Murray	D23/308
D839,389	S	*	1/2019	Wieser	D23/240
D857,845	S	*	8/2019	Wieser	D23/239
D862,653	S	*	10/2019	Wieser	D23/240

* cited by examiner

Primary Examiner — John A Voytek

(74) *Attorney, Agent, or Firm* — Boyle Fredrickson, S.C.

(57) **CLAIM**

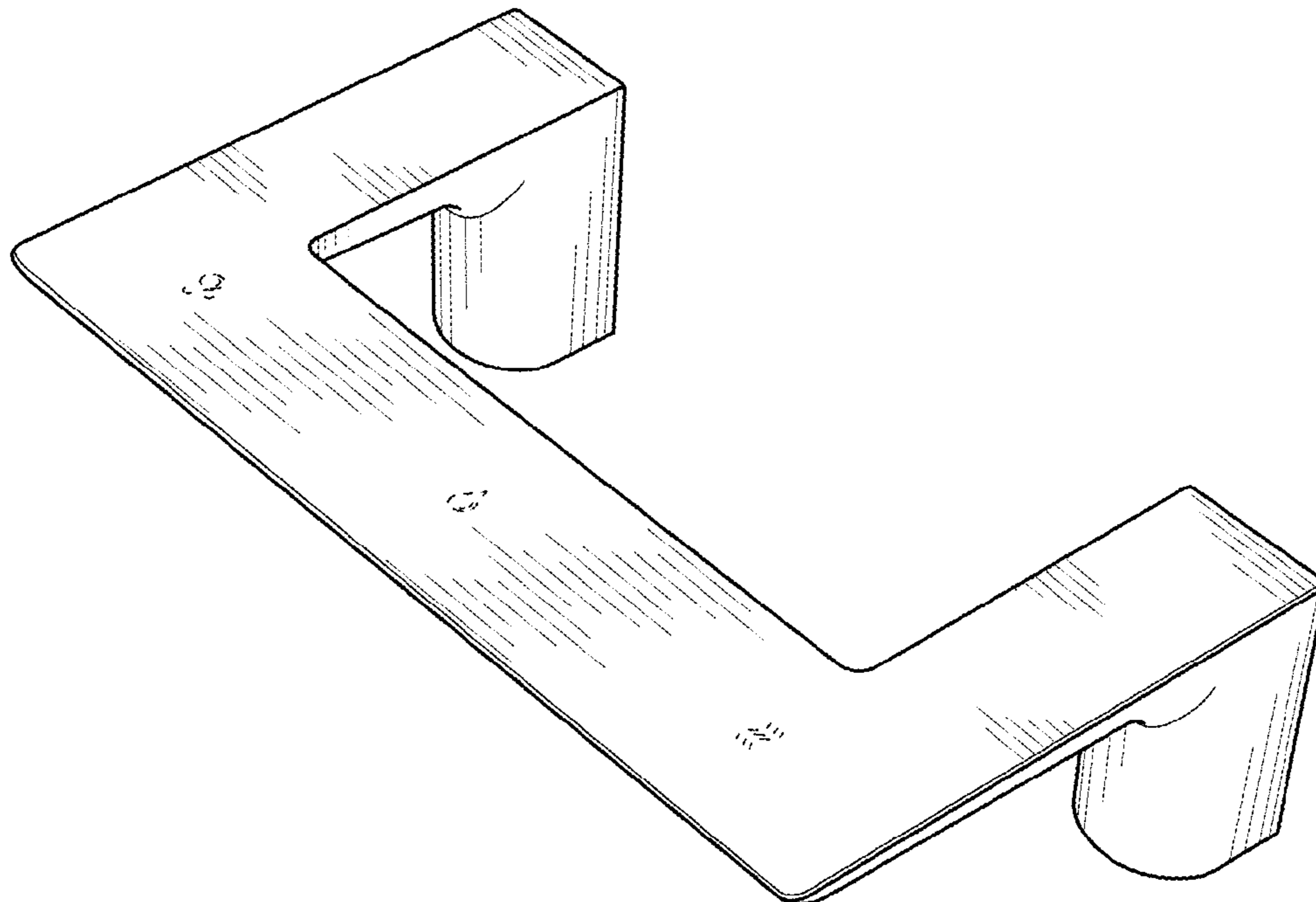
The ornamental design for a lavatory fixture with integrated faucet, soap dispenser, and hand dryer, substantially, as shown and described.

DESCRIPTION

FIG. 1 is a raised perspective view of a lavatory fixture with a faucet, soap dispenser, and hand dryer all-in-one; FIG. 2 is a top view of the lavatory fixture shown in FIG. 1; FIG. 3 is a front view of the lavatory fixture shown in FIG. 1; and, FIG. 4 is a side view of the lavatory fixture shown in FIG. 1.

Any broken lines represent environmental structure and form no part of the claimed design.

1 Claim, 2 Drawing Sheets



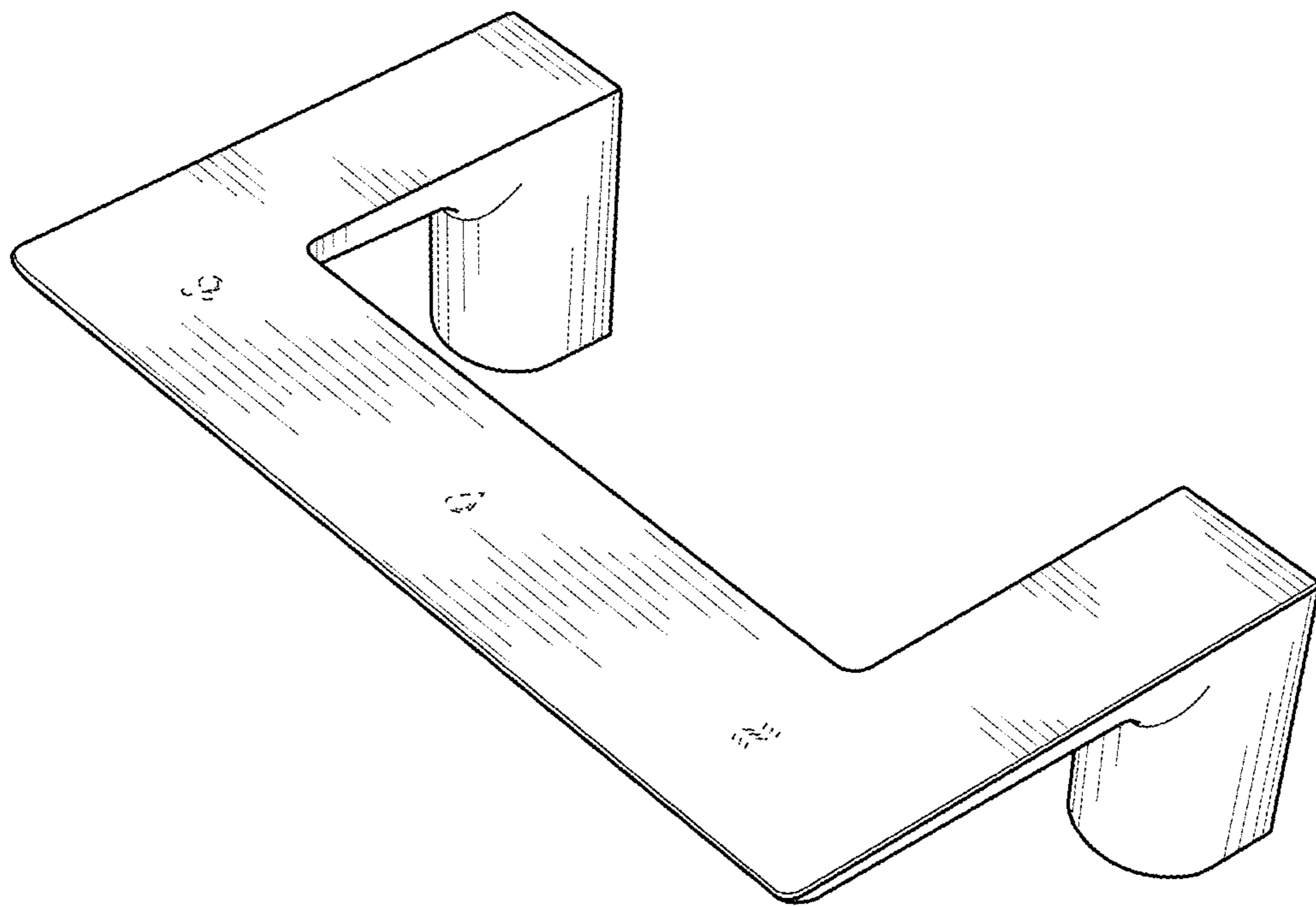


FIG. 1

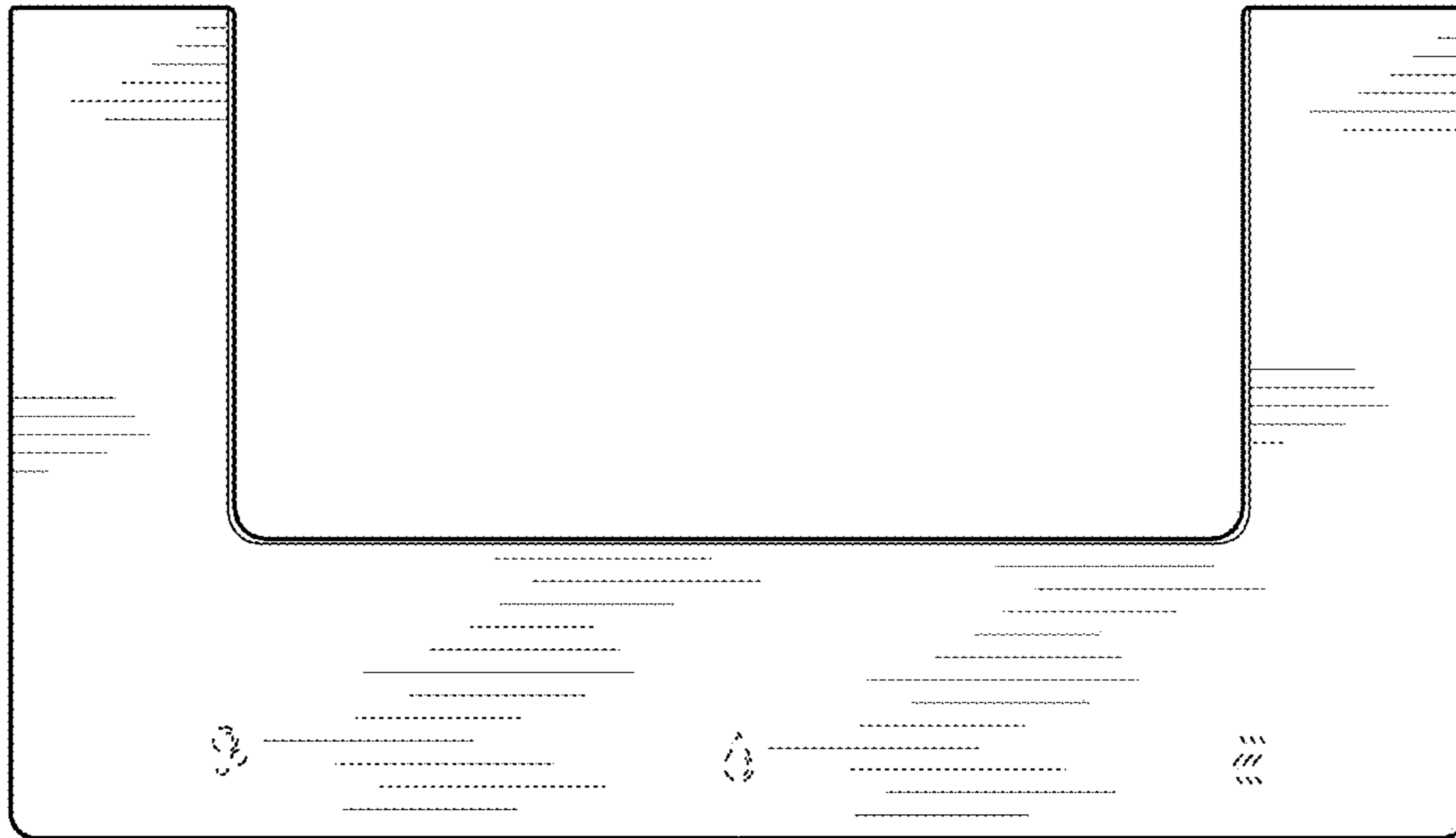


FIG. 2

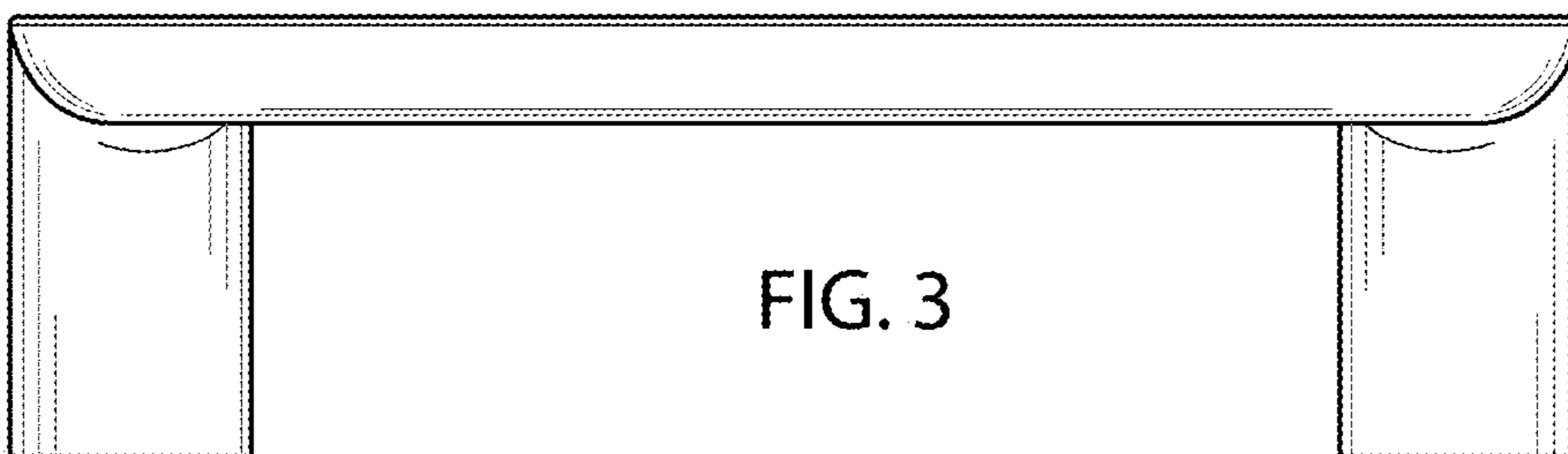


FIG. 3

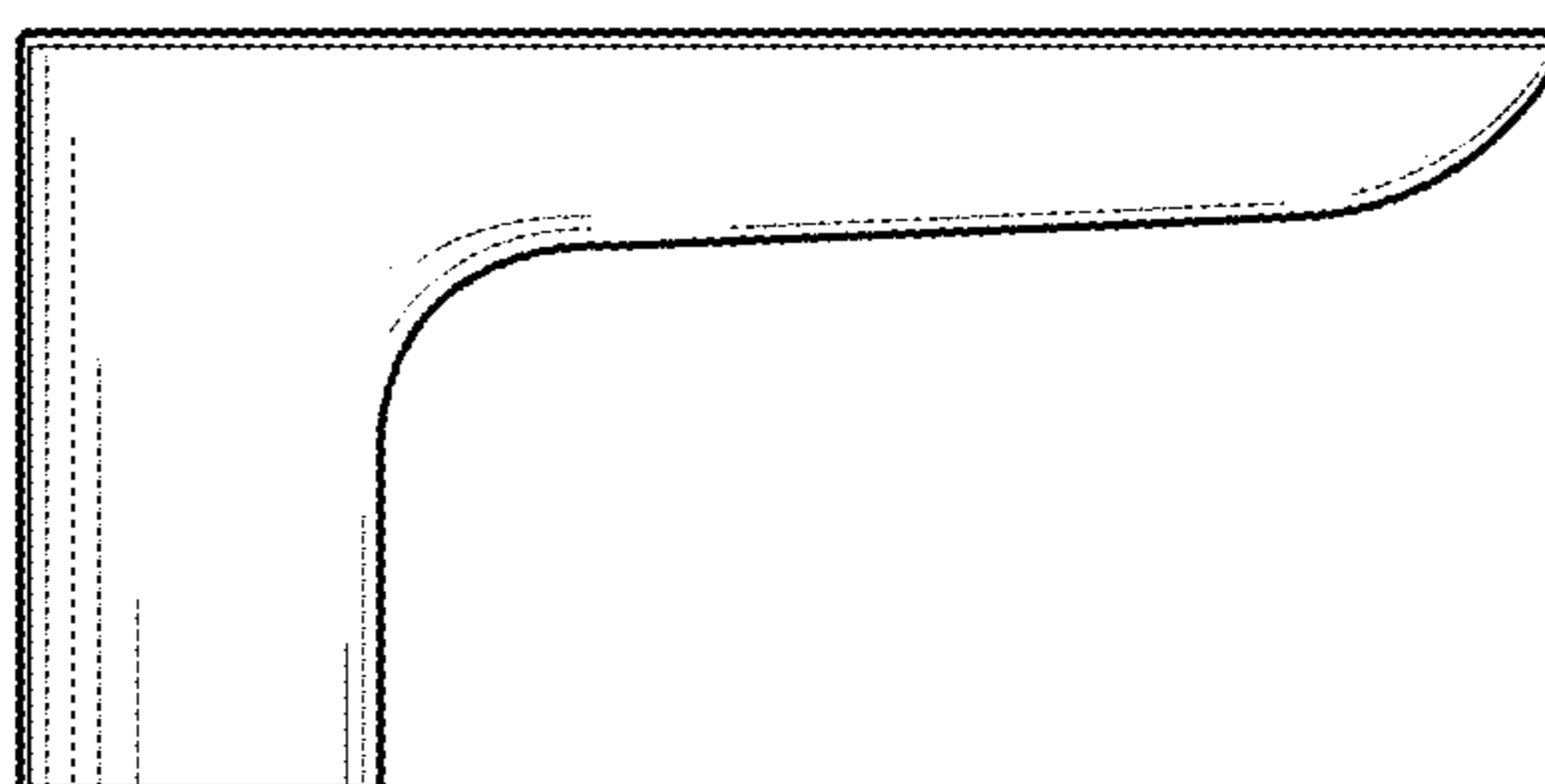


FIG. 4