



US00D913447S

(12) **United States Design Patent**  
**Seum et al.**

(10) **Patent No.:** **US D913,447 S**

(45) **Date of Patent:** **\*\* Mar. 16, 2021**

(54) **TUB FAUCET**

(71) Applicant: **Grohe AG**, Hemer (DE)

(72) Inventors: **Michael Seum**, Duesseldorf (DE);  
**Jacob Nitz**, Brooklyn, NY (US)

(73) Assignee: **Grohe AG**, Hemer (DE)

(\*\*) Term: **15 Years**

(21) Appl. No.: **29/693,767**

(22) Filed: **Jun. 5, 2019**

(30) **Foreign Application Priority Data**

Dec. 5, 2018 (EM) ..... 005844156-0011

(51) **LOC (13) Cl.** ..... **23-01**

(52) **U.S. Cl.**  
USPC ..... **D23/239**

(58) **Field of Classification Search**  
USPC ..... D23/238, 239, 240, 241, 242, 243, 249,  
D23/255, 256, 257; D6/524  
CPC ..... E03C 1/04; E03C 1/0401; E03C 1/0402;  
E03C 1/0404; E03C 1/0405; E03C  
1/0412; Y10T 137/9464  
See application file for complete search history.

(56) **References Cited**

**U.S. PATENT DOCUMENTS**

D461,529 S \* 8/2002 Gottwald ..... D23/238  
D616,069 S \* 5/2010 Krause ..... D23/239

D635,647 S \* 4/2011 Montgomery ..... D23/239  
D681,168 S \* 4/2013 Romero ..... D23/238  
D692,989 S \* 11/2013 Flowers ..... D23/238  
D734,836 S \* 7/2015 Flowers ..... D23/239  
D771,776 S \* 11/2016 Schoenherr ..... D23/239  
D860,399 S \* 9/2019 Seum ..... D23/242  
D867,533 S \* 11/2019 Garland ..... D23/238  
D868,210 S \* 11/2019 Garland ..... D23/238  
2020/0217052 A1 \* 7/2020 Li ..... E03C 1/0401

\* cited by examiner

*Primary Examiner* — John A Voytek

(74) *Attorney, Agent, or Firm* — Muncy, Geissler, Olds & Lowe, P.C.

(57) **CLAIM**

The ornamental design for a tub faucet, as shown and described.

**DESCRIPTION**

FIG. 1 is a front perspective view of a tub faucet according to the present invention.

FIG. 2 is a front view of the tub faucet of FIG. 1.

FIG. 3 is a rear view of the tub faucet of FIG. 1.

FIG. 4 is a left side view of the tub faucet of FIG. 1.

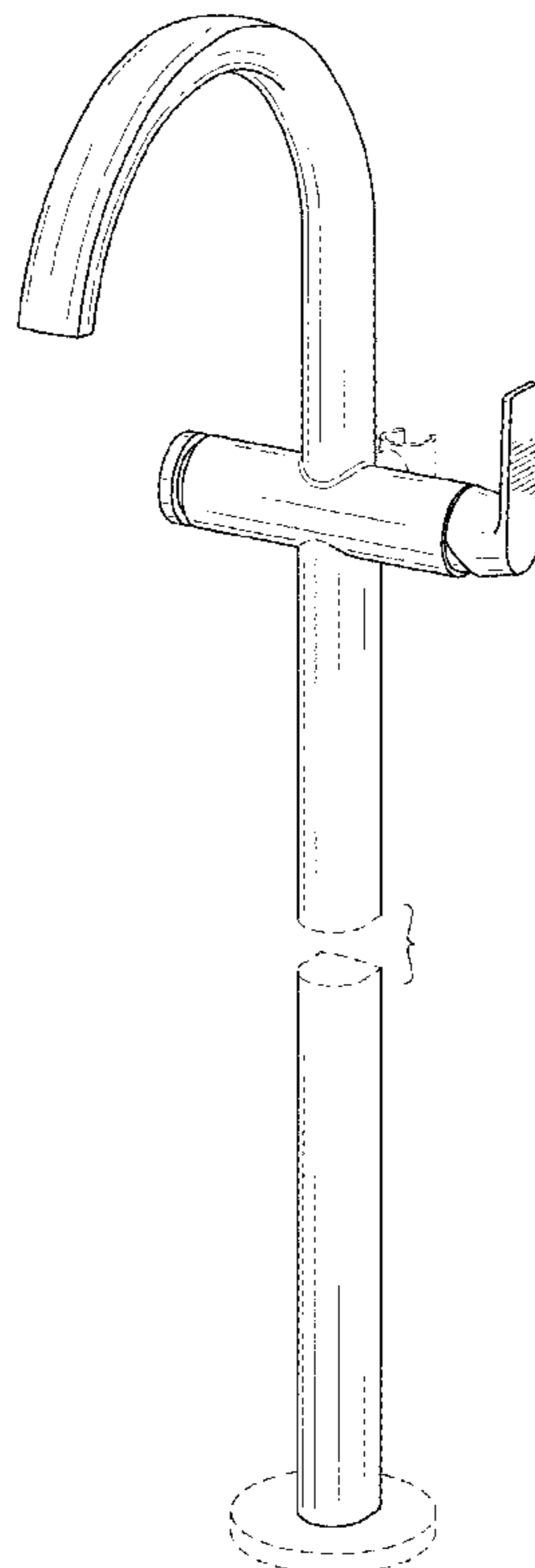
FIG. 5 is a right side view of the tub faucet of FIG. 1.

FIG. 6 is a top view of the tub faucet of FIG. 1; and,

FIG. 7 is a bottom view of the tub faucet of FIG. 1.

The evenly spaced broken lines represent portions of the faucet that form no part of the claimed design; The faucet is shown with symbolic breaks in its length. The appearance of any portion of the article between the long-dash/short-dash broken break lines forms no part of the claimed design.

**1 Claim, 7 Drawing Sheets**



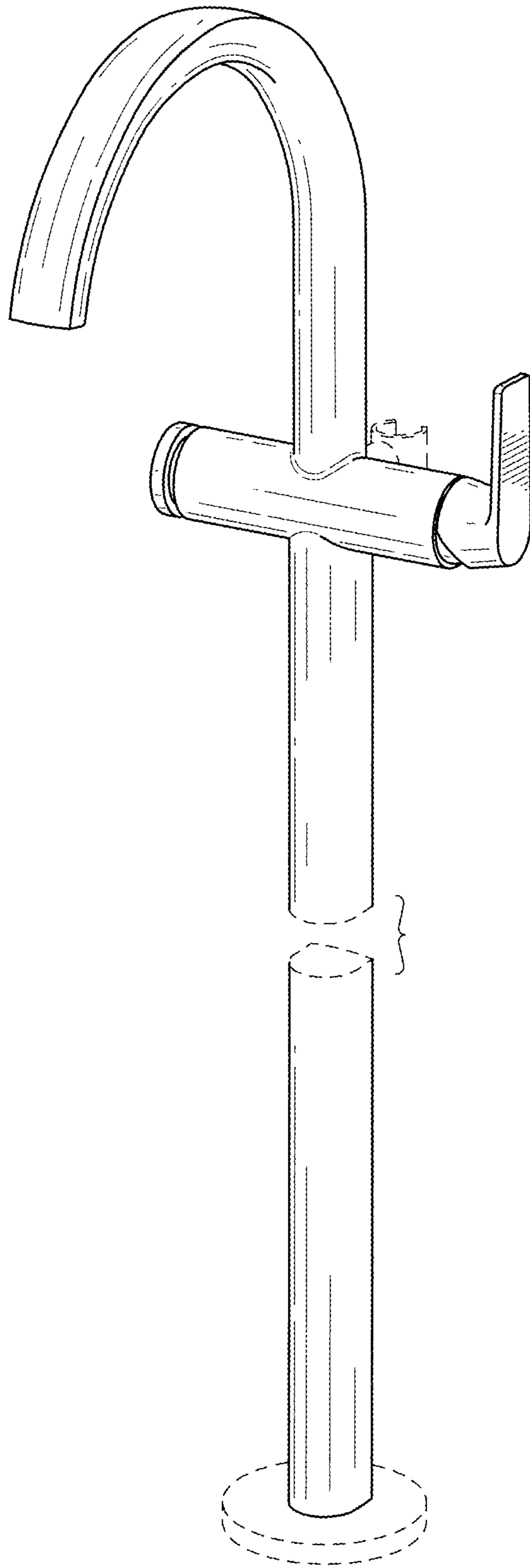


FIG. 1

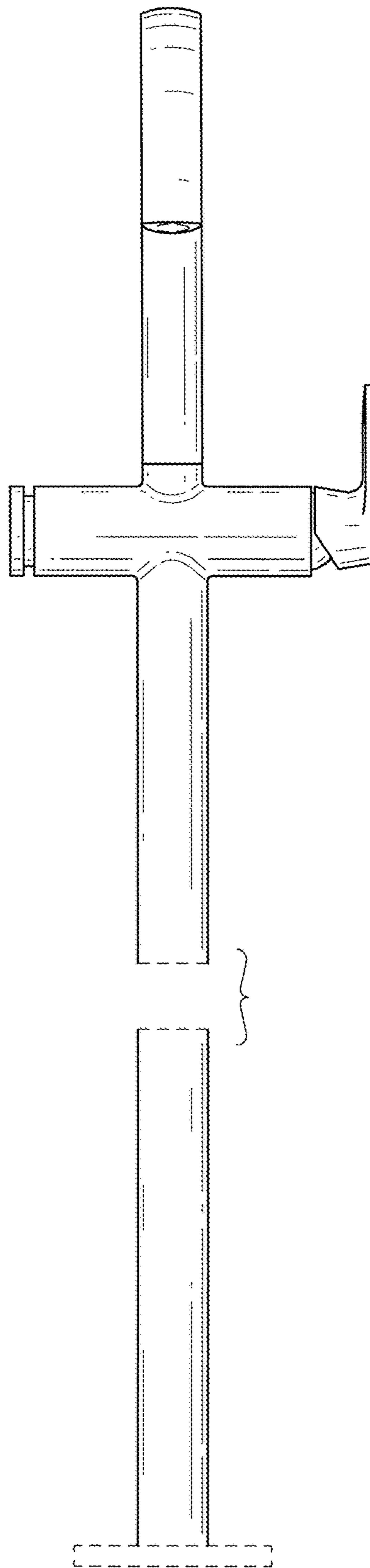


FIG.2

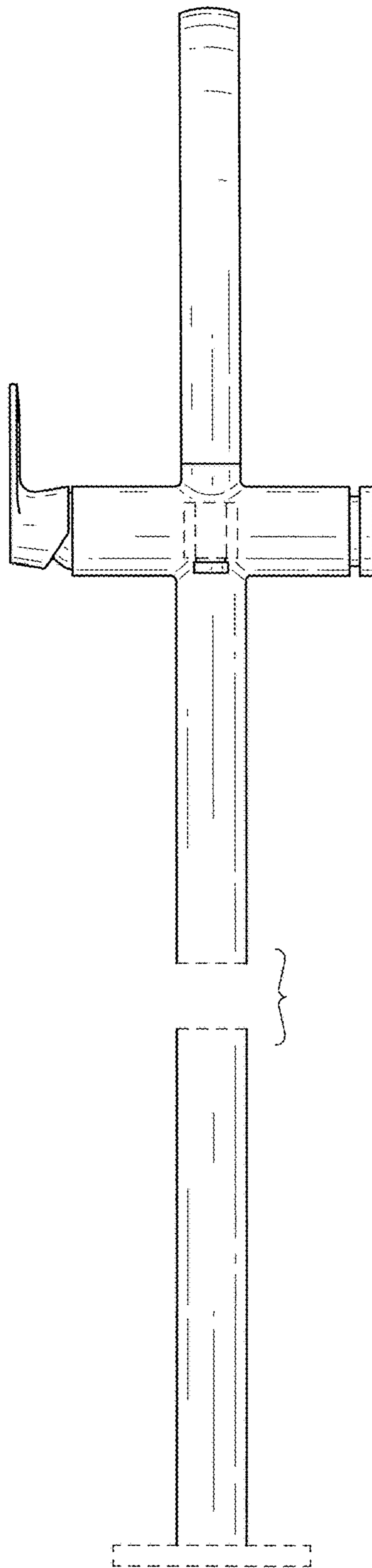


FIG.3

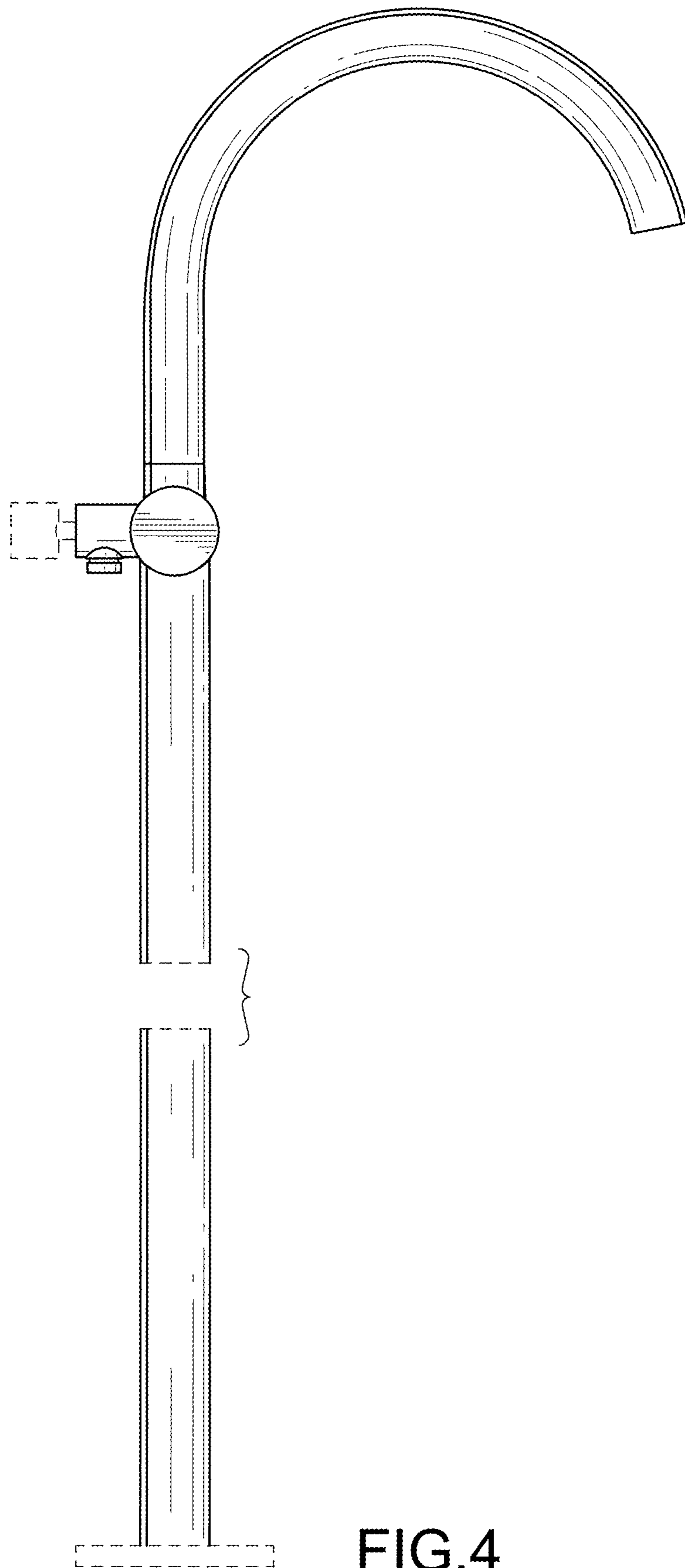


FIG.4

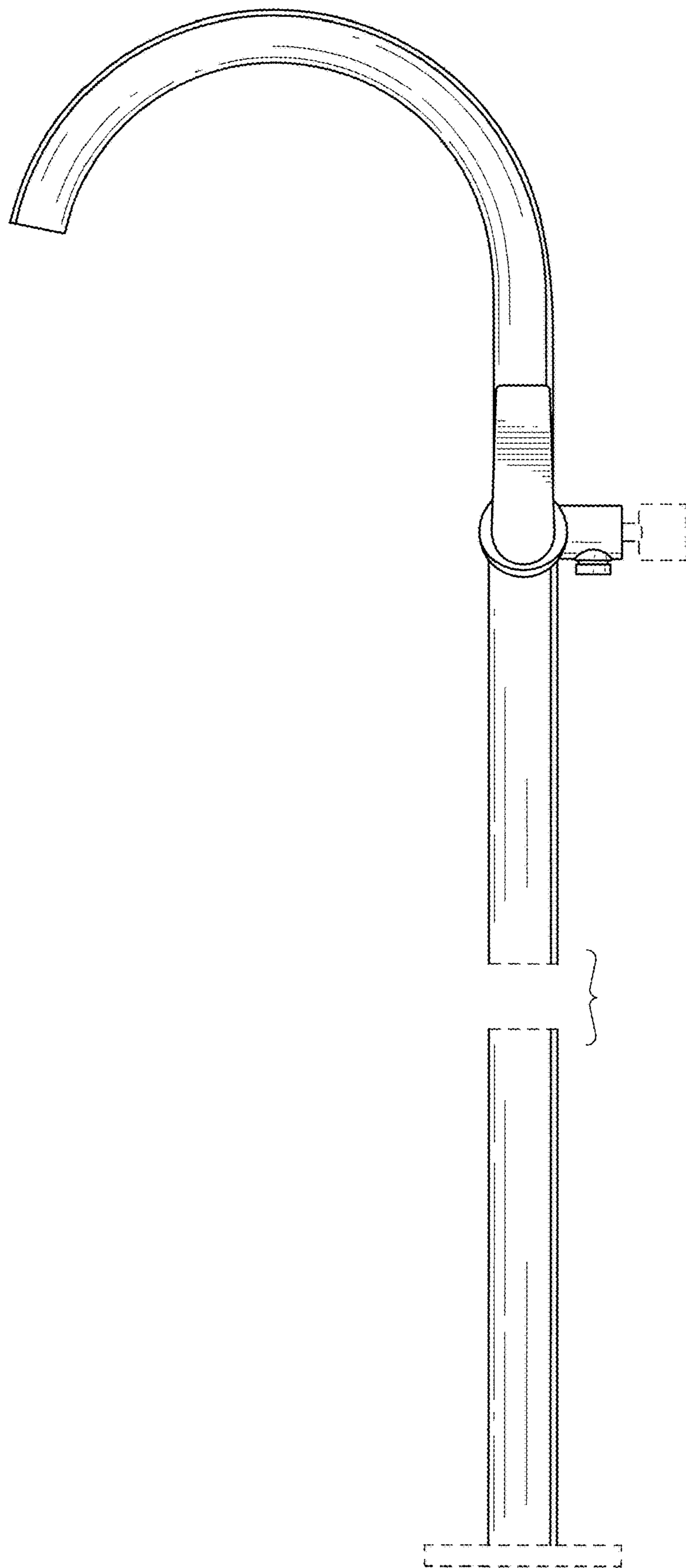


FIG.5

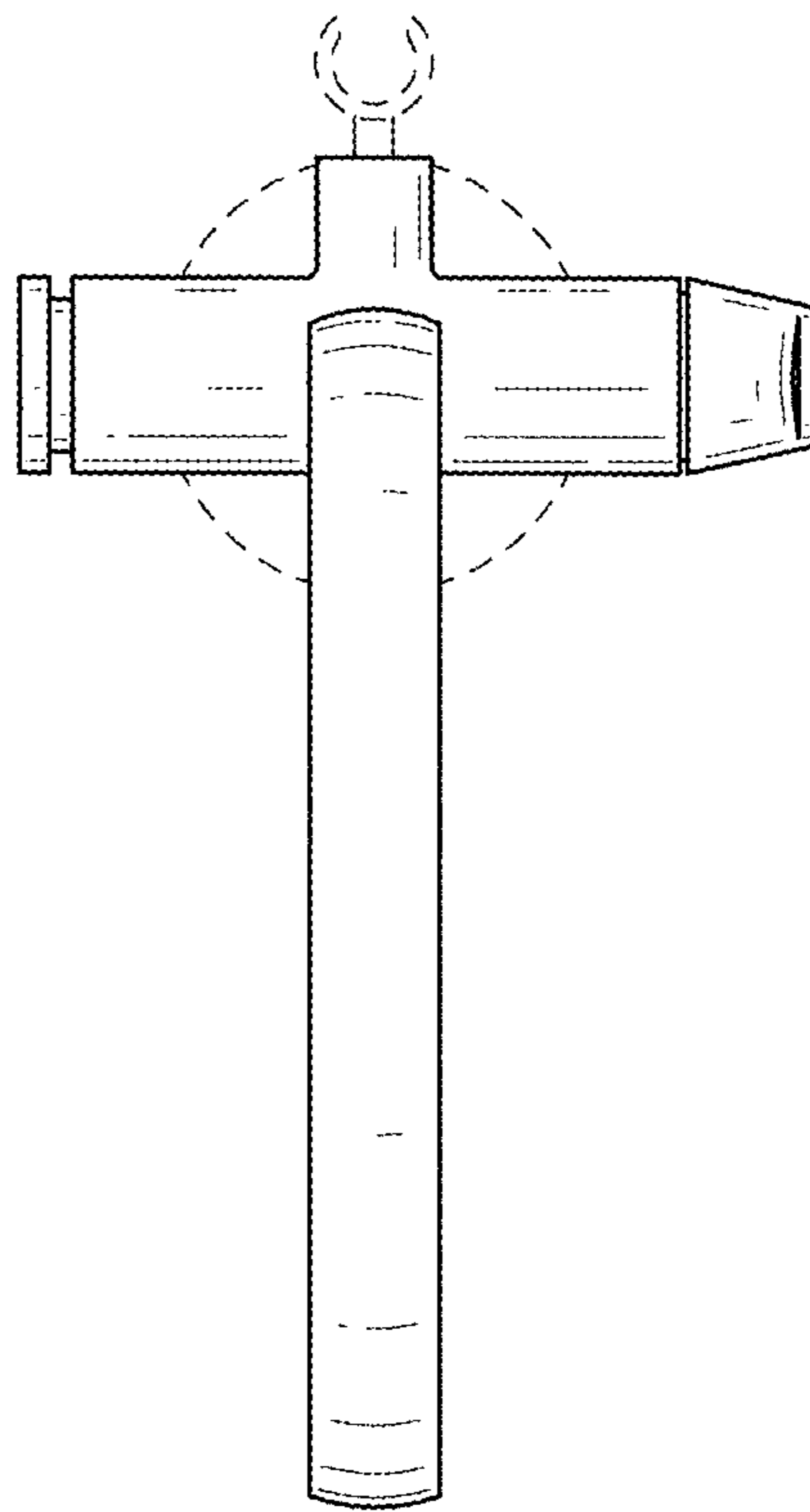


FIG.6

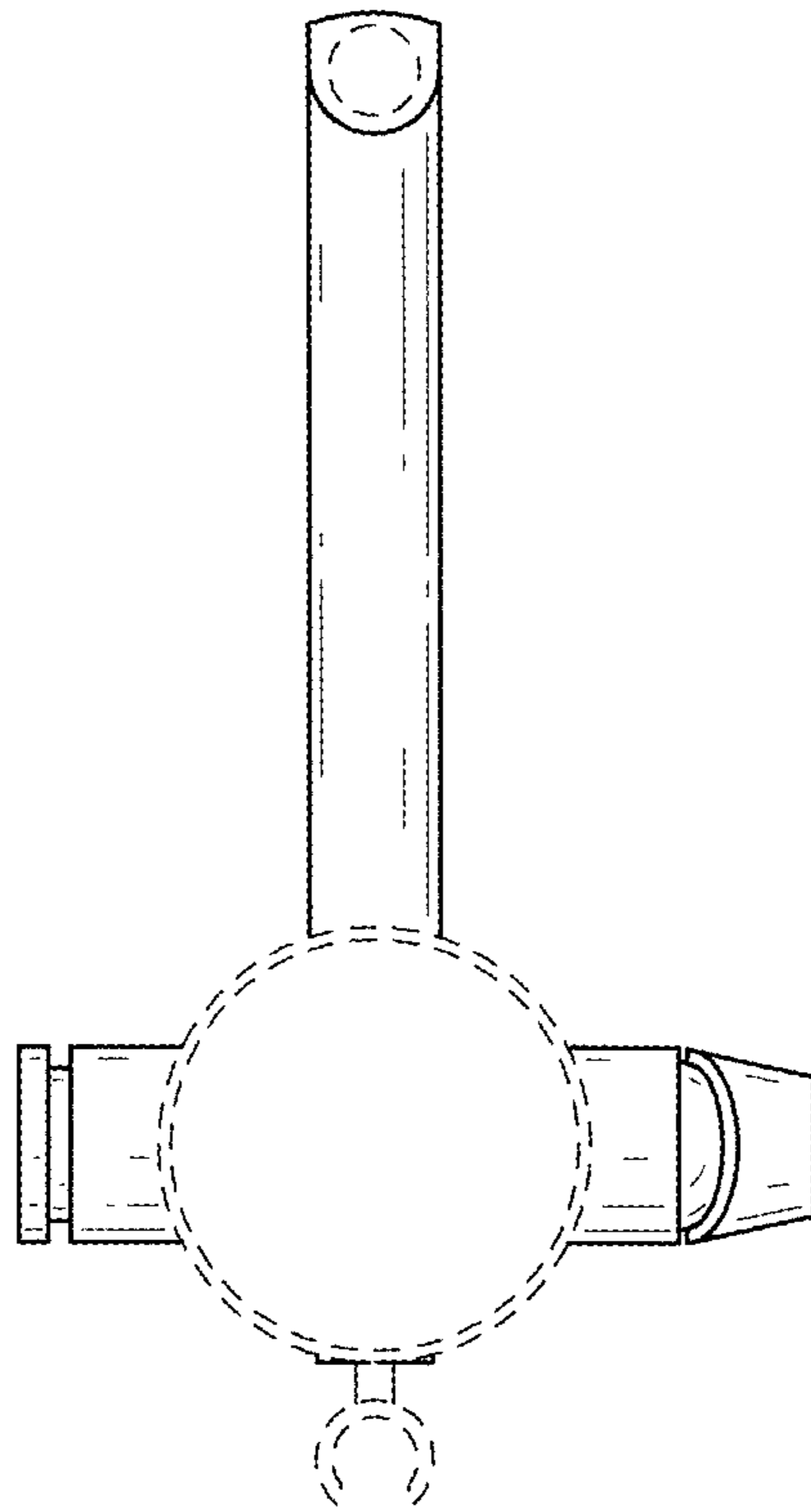


FIG.7