



US00D913446S

(12) **United States Design Patent** (10) **Patent No.:** **US D913,446 S**  
**Seum et al.** (45) **Date of Patent:** **\*\* Mar. 16, 2021**

(54) **BATHTUB FAUCET**

(71) Applicant: **Grohe AG**, Hemer (DE)

(72) Inventors: **Michael Seum**, Duesseldorf (DE);  
**Beguem Tomruk**, Duesseldorf (DE)

(73) Assignee: **Grohe AG**, Hemer (DE)

(\*\*) Term: **15 Years**

(21) Appl. No.: **29/689,109**

(22) Filed: **Apr. 26, 2019**

(30) **Foreign Application Priority Data**

Oct. 26, 2018 (EM) ..... 005809282-0021

(51) **LOC (13) Cl.** ..... **23-01**

(52) **U.S. Cl.**  
USPC ..... **D23/239**

(58) **Field of Classification Search**  
USPC ..... D23/238, 239, 240, 241, 242, 243, 249,  
D23/255, 256, 257; D6/524  
CPC ..... E03C 1/04; E03C 1/0401; E03C 1/0402;  
E03C 1/0404; E03C 1/0405; E03C  
1/0412; Y10T 137/9464  
See application file for complete search history.

(56) **References Cited**

**U.S. PATENT DOCUMENTS**

D615,623 S \* 5/2010 Krause ..... D23/239  
D616,069 S \* 5/2010 Krause ..... D23/239

D635,647 S \* 4/2011 Montgomery ..... D23/239  
D692,989 S \* 11/2013 Flowers ..... D23/238  
D790,664 S \* 6/2017 Eads ..... D23/238  
D790,666 S \* 6/2017 Lord ..... D23/239  
D867,533 S \* 11/2019 Garland ..... D23/238  
D868,210 S \* 11/2019 Garland ..... D23/238  
2008/0276367 A1 \* 11/2008 Bares ..... E03C 1/0412  
4/677  
2020/0217052 A1 \* 7/2020 Li ..... E03C 1/0401

\* cited by examiner

*Primary Examiner* — John A Voytek

(74) *Attorney, Agent, or Firm* — Muncy, Geissler, Olds & Lowe, P.C.

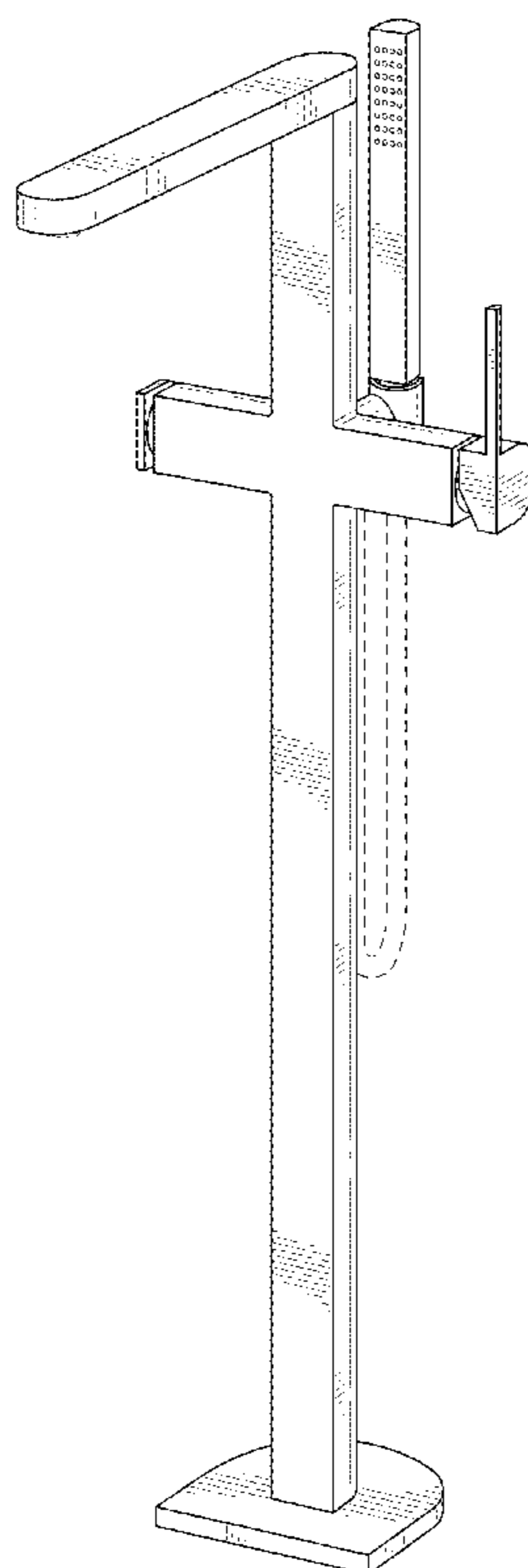
(57) **CLAIM**

The ornamental design for a bathtub faucet, as shown and described.

**DESCRIPTION**

FIG. 1 is a front perspective view of a bathtub faucet according to the present invention.  
FIG. 2 is a front view of the bathtub faucet of FIG. 1.  
FIG. 3 is a rear view of the bathtub faucet of FIG. 1.  
FIG. 4 is a left side view of the bathtub faucet of FIG. 1.  
FIG. 5 is a right side view of the bathtub faucet of FIG. 1.  
FIG. 6 is a top view of the bathtub faucet of FIG. 1; and,  
FIG. 7 is a bottom view of the bathtub faucet of FIG. 1.  
The broken lines illustrate portions of the bathtub faucet that form no part of the claimed design.

**1 Claim, 7 Drawing Sheets**



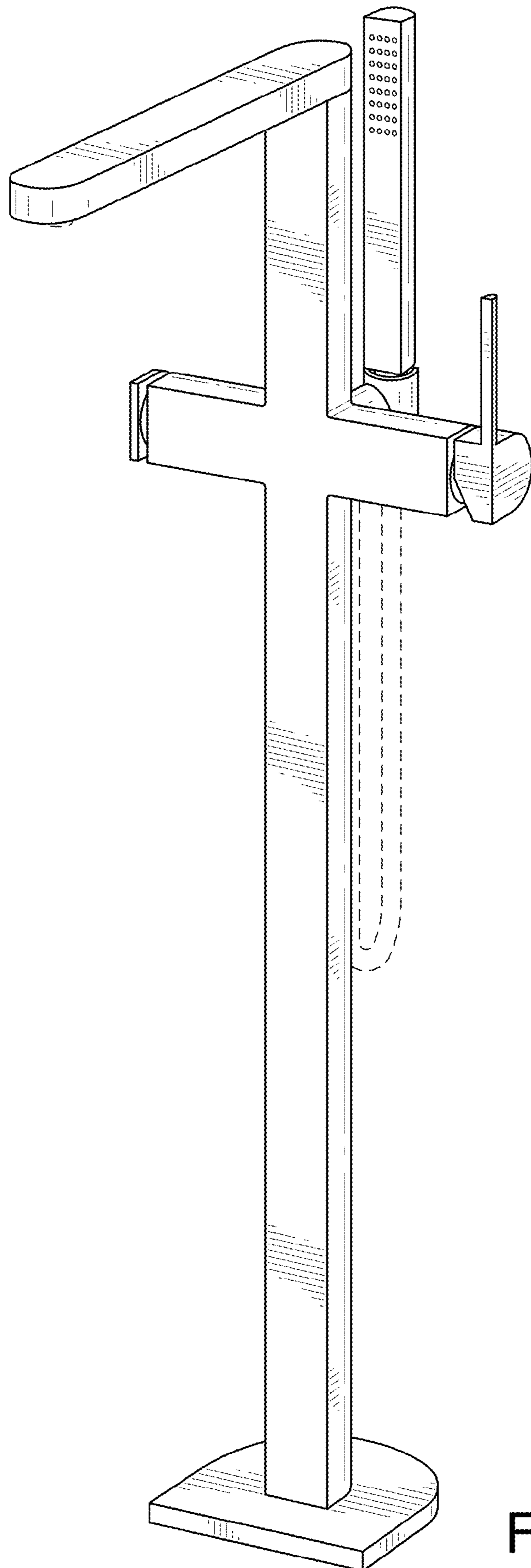


FIG. 1

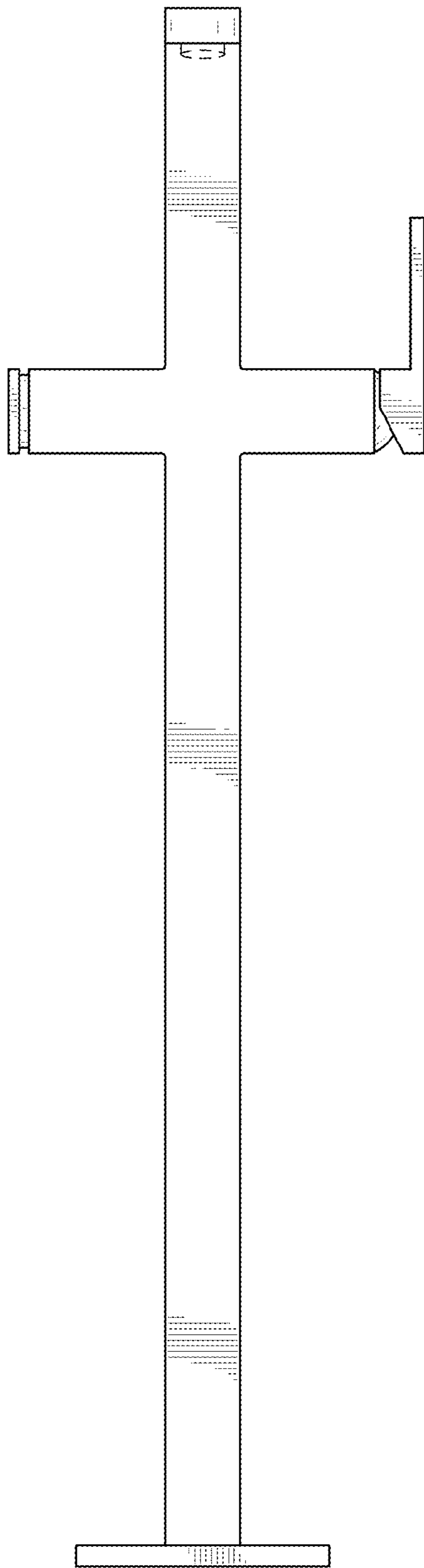


FIG.2

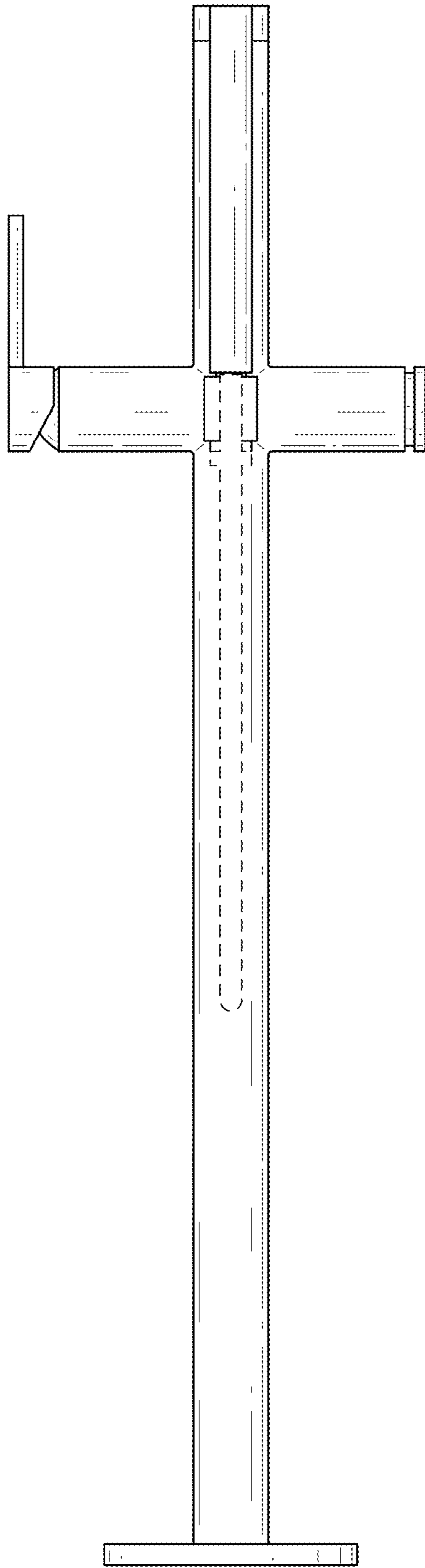


FIG.3

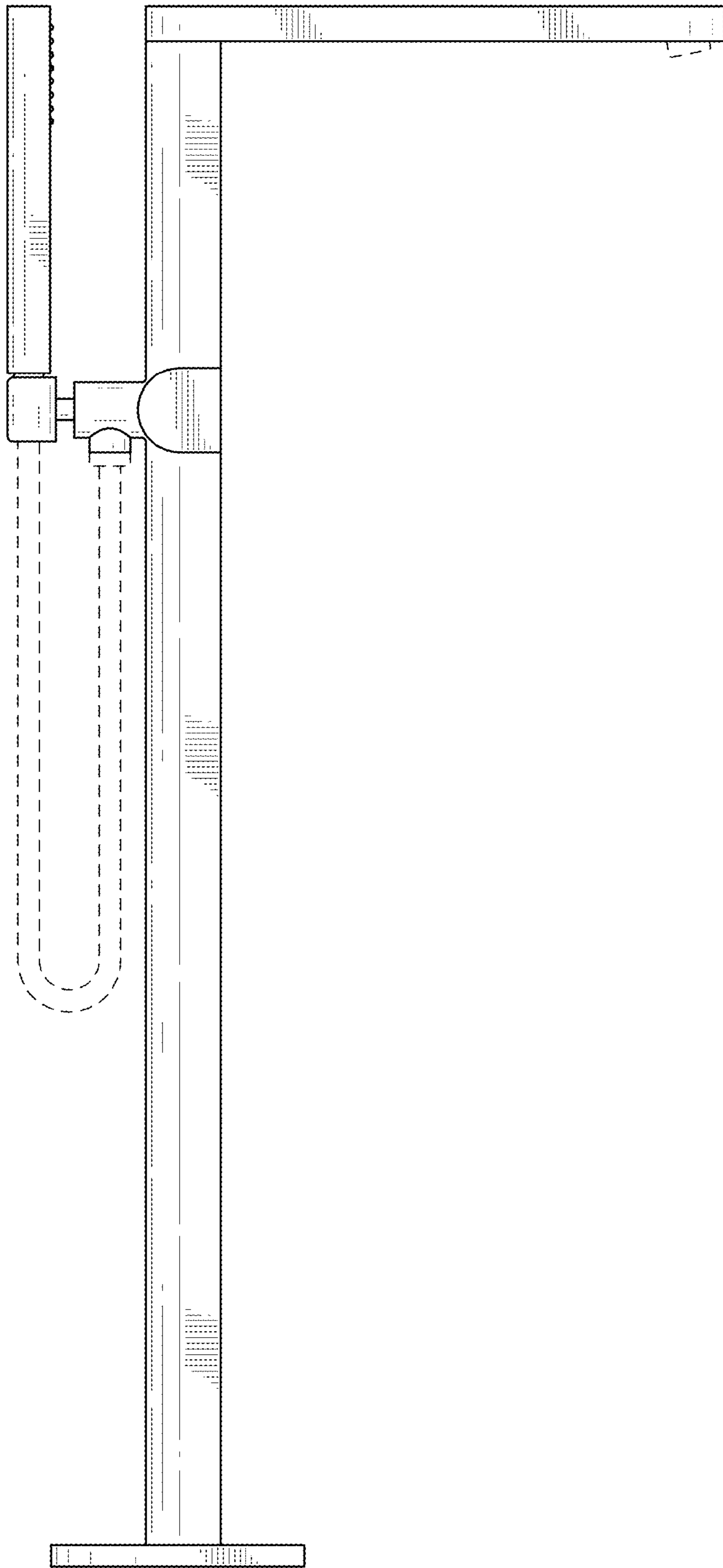


FIG.4

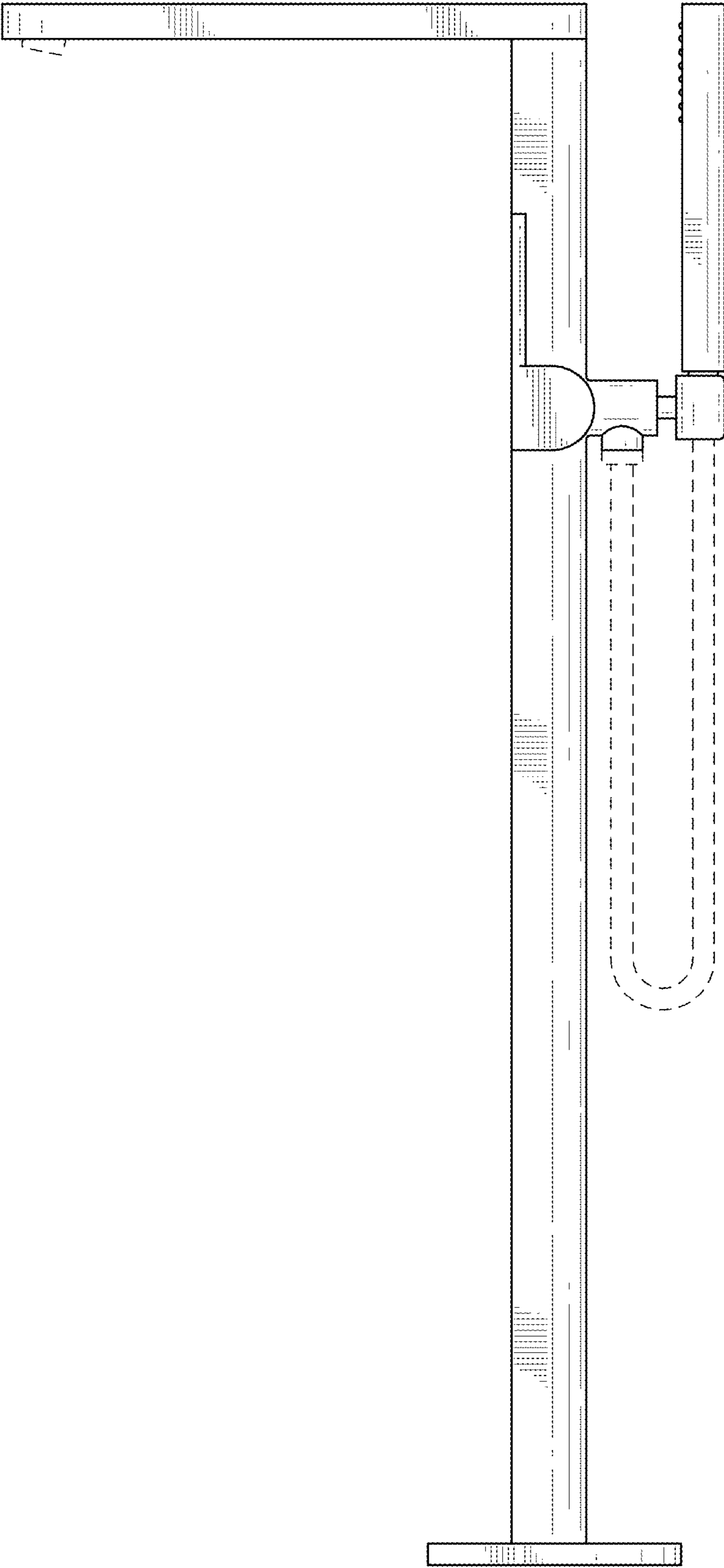


FIG.5

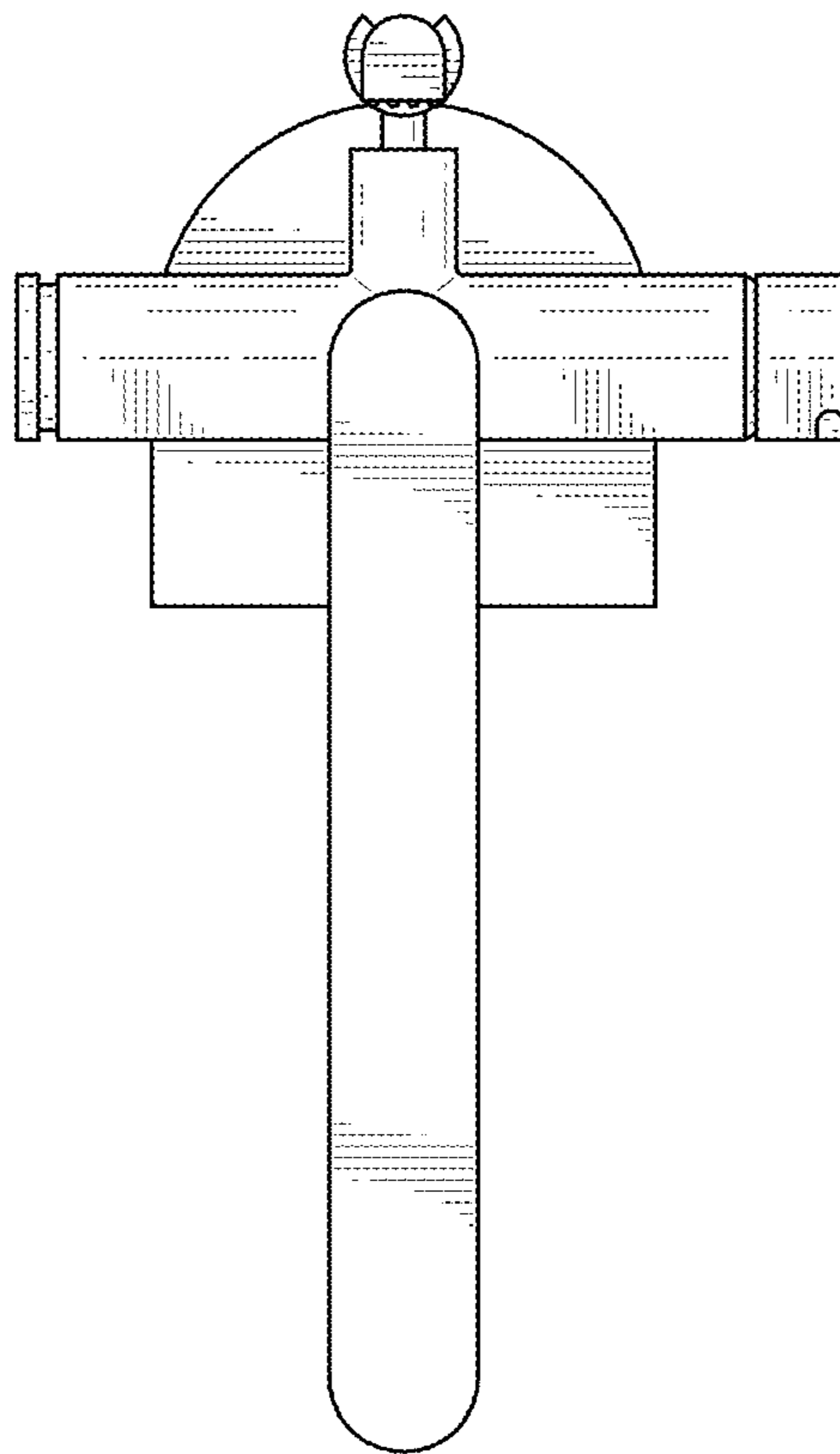


FIG.6

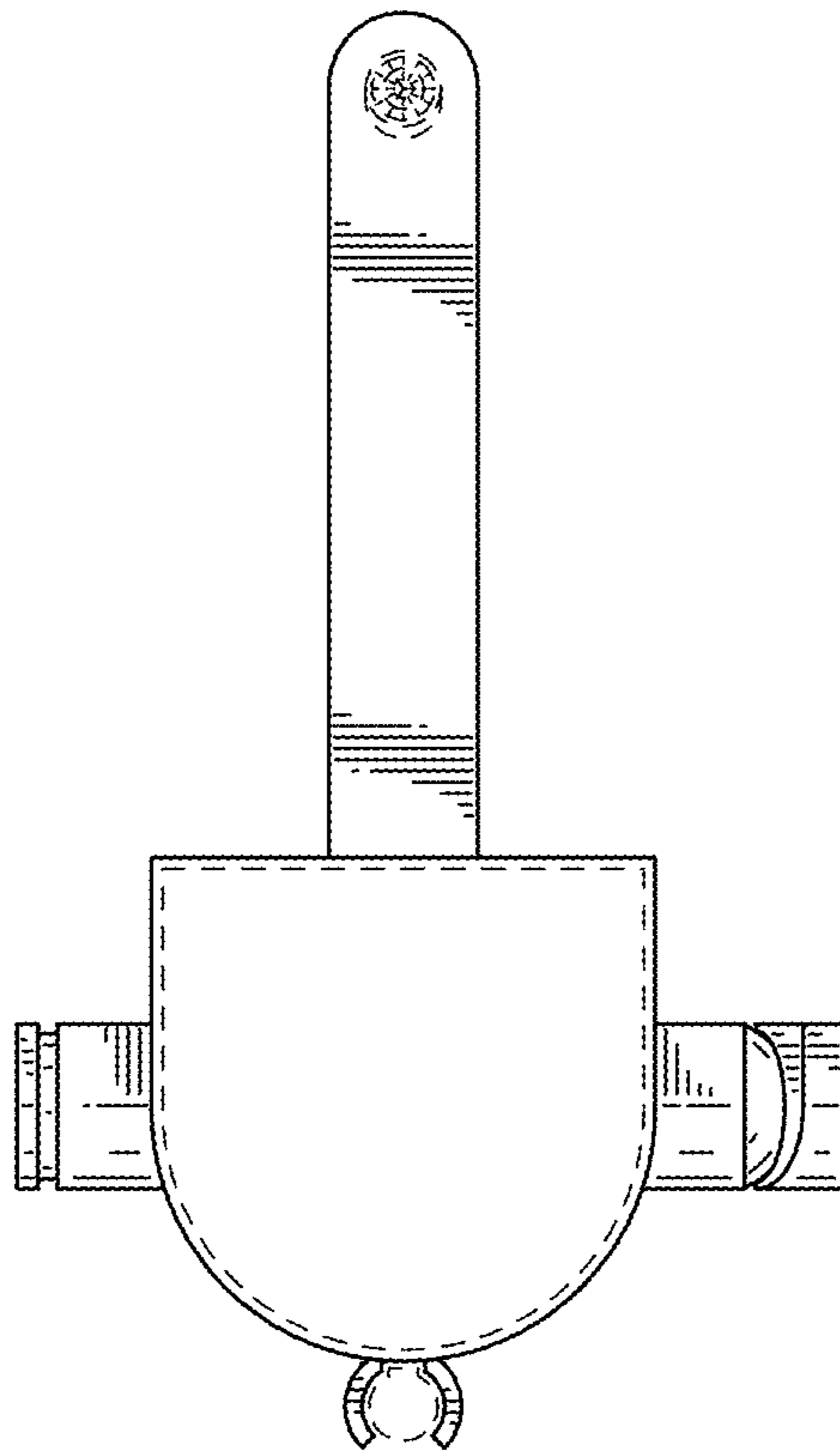


FIG. 7