



US00D913445S

(12) **United States Design Patent**
Zeng

(10) **Patent No.:** **US D913,445 S**

(45) **Date of Patent:** **** Mar. 16, 2021**

(54) **FAUCET**

(71) Applicant: **Foshan Shunde Yajiasi Kitchen Cabinet Co., Ltd.**, Foshan (CN)

(72) Inventor: **Deju Zeng**, Foshan (CN)

(73) Assignee: **Foshan Shunde Yajiasi Kitchen Cabinet Co., Ltd.**, Foshan (CN)

(**) Term: **15 Years**

(21) Appl. No.: **29/705,014**

(22) Filed: **Sep. 9, 2019**

(51) **LOC (13) Cl.** **23-01**

(52) **U.S. Cl.**
USPC **D23/238**

(58) **Field of Classification Search**
USPC D23/238, 239, 240, 241, 242, 243, 249,
D23/250, 255, 256, 257; D6/524
CPC E03C 1/04; E03C 1/0401; E03C 1/0402;
E03C 1/0404; E03C 1/0405; E03C
1/0412; Y10T 137/9464
See application file for complete search history.

(56) **References Cited**

U.S. PATENT DOCUMENTS

D487,133 S * 2/2004 Haug D23/238
D624,989 S * 10/2010 Sieger D23/238
D644,300 S * 8/2011 Yokoyama D23/238

D684,243 S * 6/2013 Lord D23/238
D694,859 S * 12/2013 Lammel D23/238
D828,509 S * 9/2018 Seum D23/238
10,683,646 B2 * 6/2020 Pei E03C 1/0401
2014/0230143 A1 * 8/2014 Morales E03C 1/0404
4/676
2016/0024762 A1 * 1/2016 Hsu E03C 1/0401
4/619
2017/0044746 A1 * 2/2017 Lee E03C 1/0404

* cited by examiner

Primary Examiner — John A Voytek

(74) *Attorney, Agent, or Firm* — Yong Chen

(57) **CLAIM**

The ornamental design for a faucet, as shown and described.

DESCRIPTION

FIG. 1 is a perspective view of a faucet of the present invention.

FIG. 2 is another perspective thereof.

FIG. 3 is a front view thereof.

FIG. 4 is a rear view thereof.

FIG. 5 is a left view thereof.

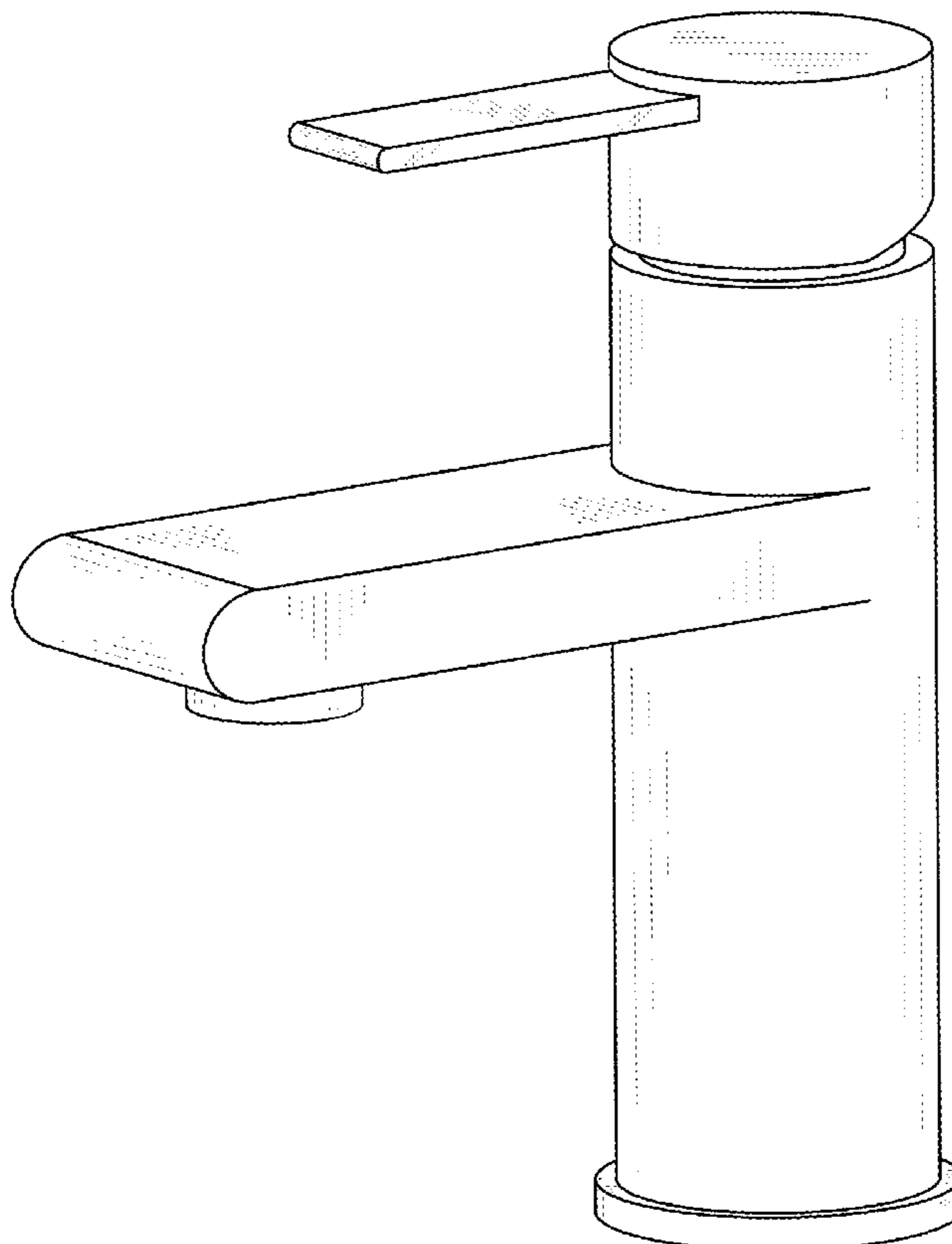
FIG. 6 is a right view thereof.

FIG. 7 is a top view thereof; and,

FIG. 8 is a bottom view thereof.

The broken line showing of certain portions of the faucet is included for the purpose of illustration only and forms no part of the claimed design.

1 Claim, 8 Drawing Sheets



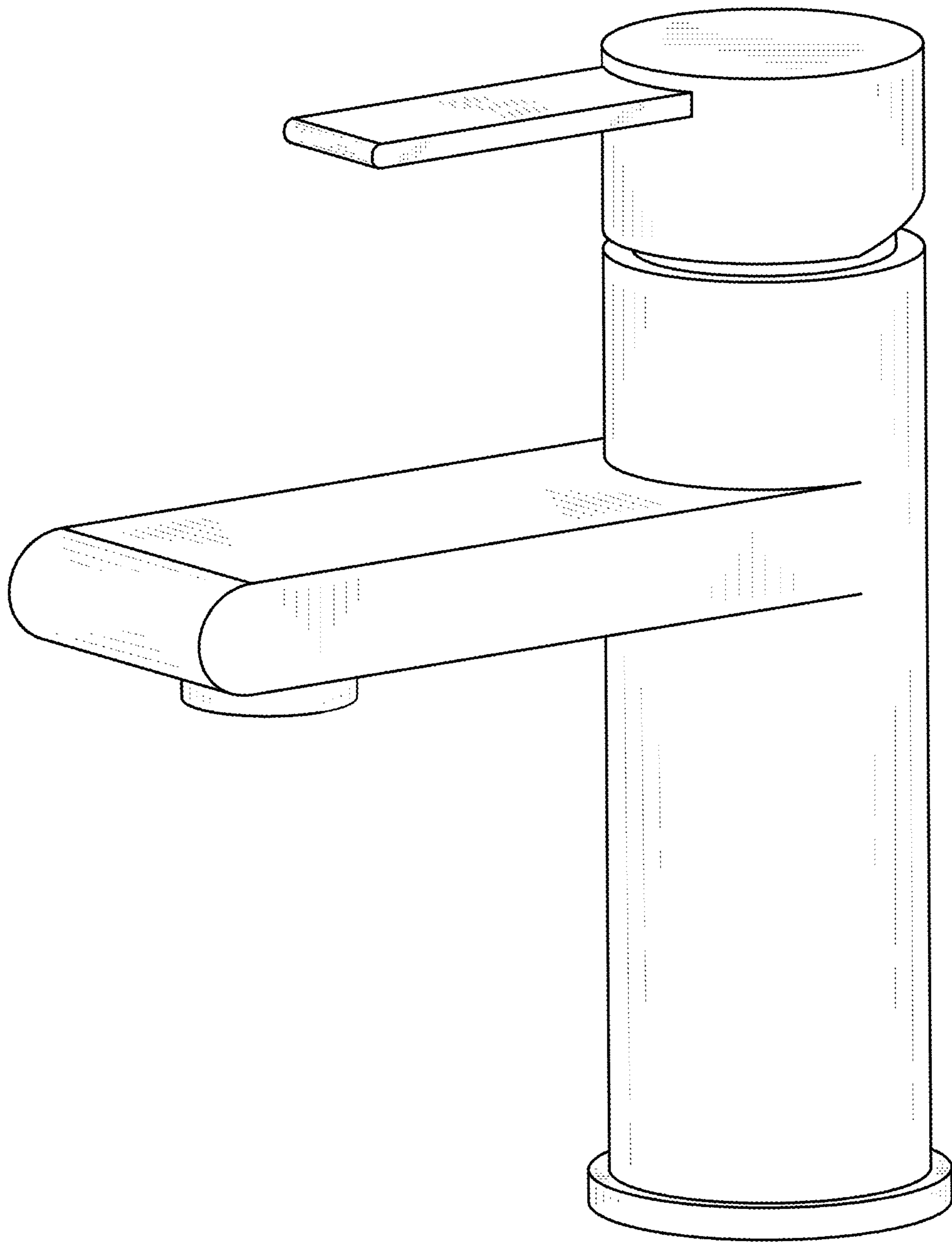


FIG.1

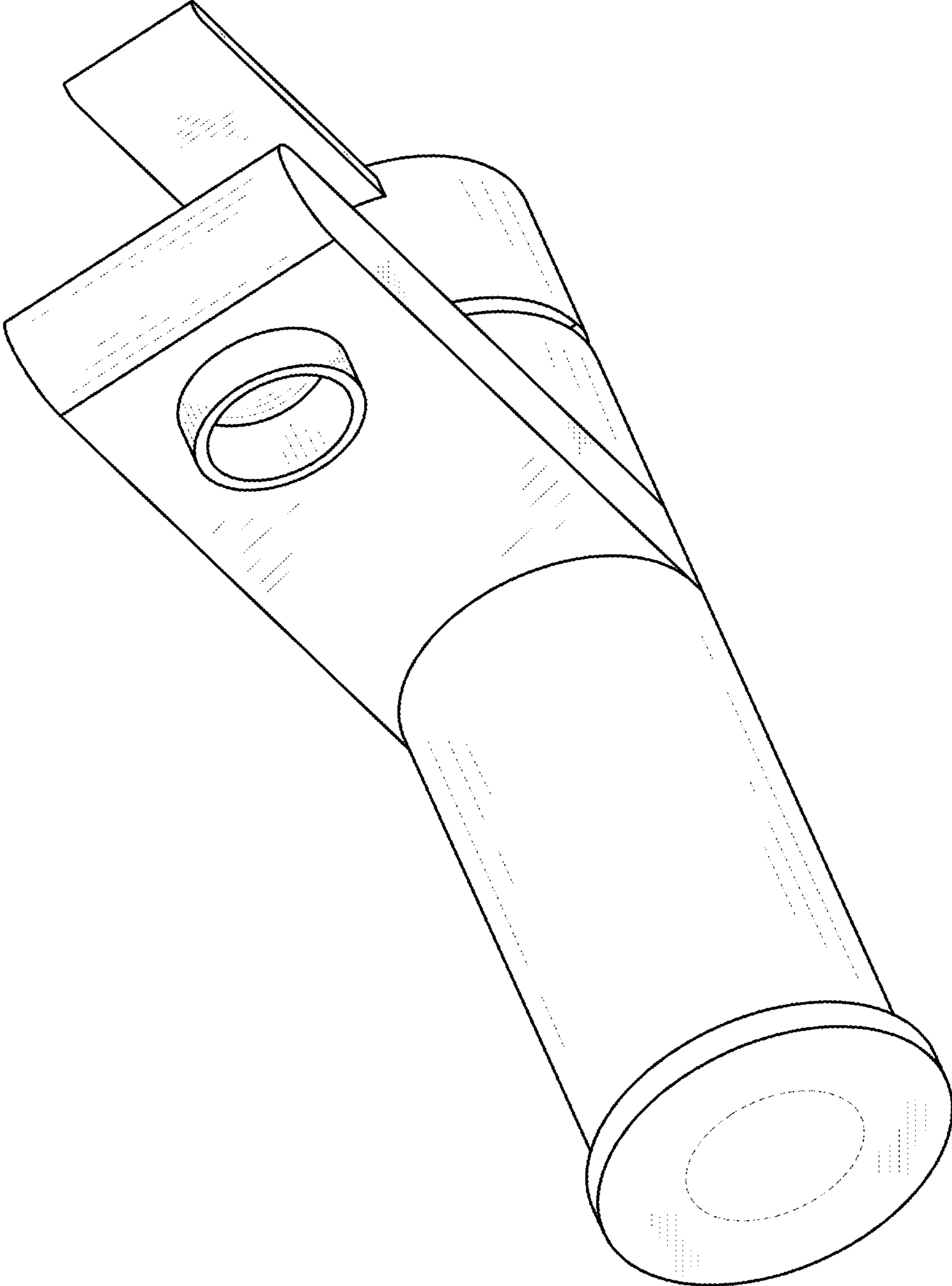


FIG. 2

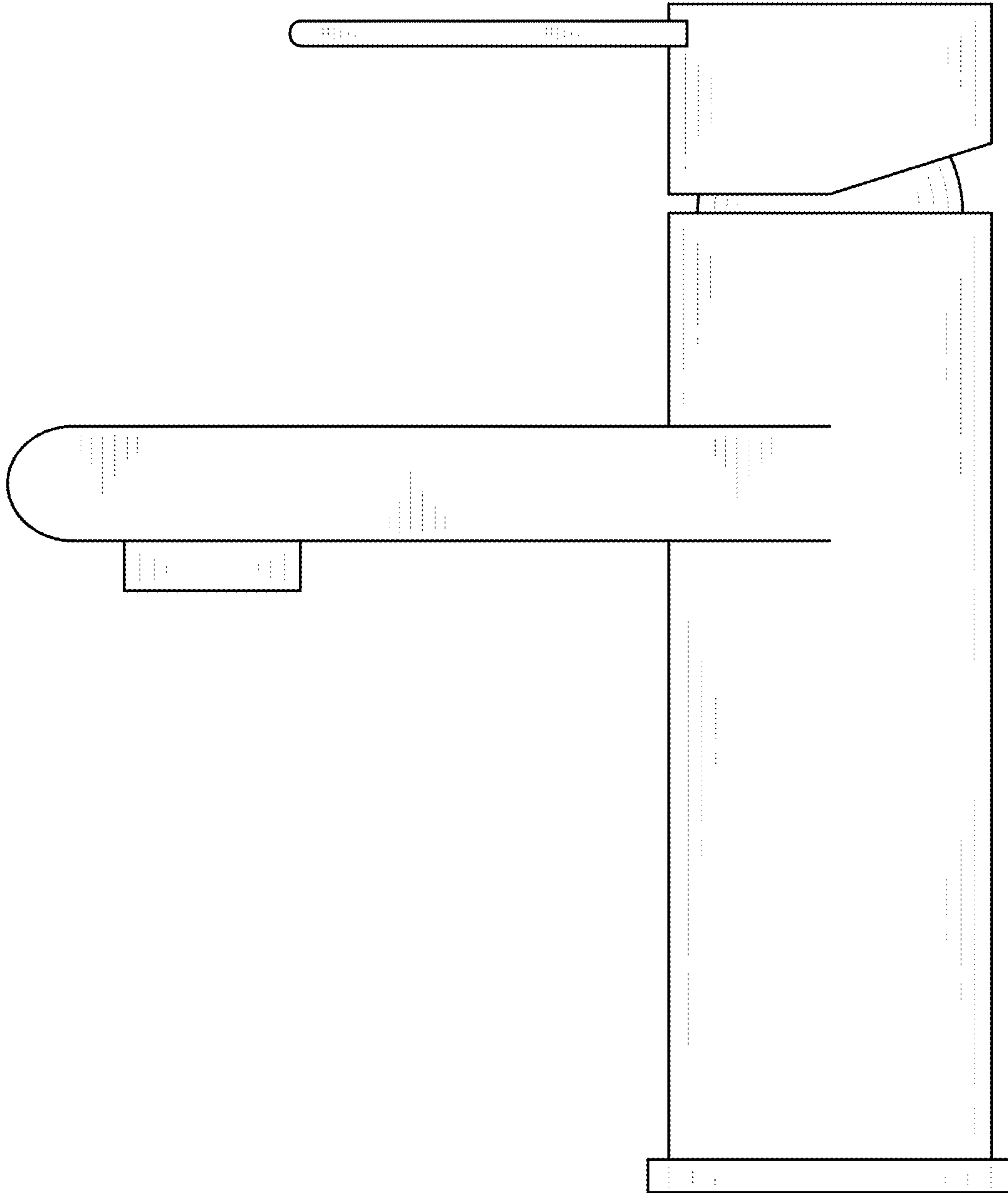


FIG. 3

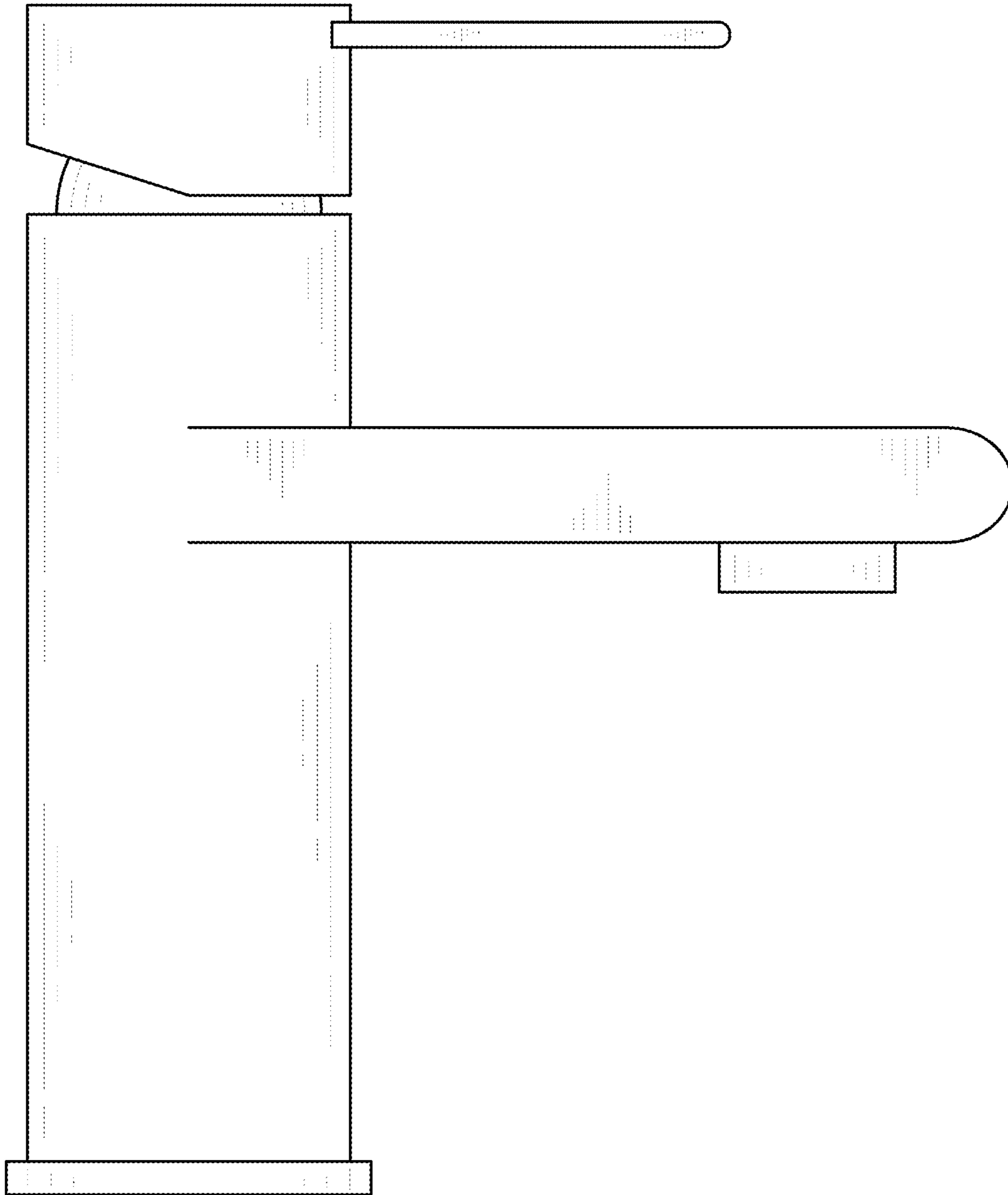


FIG. 4

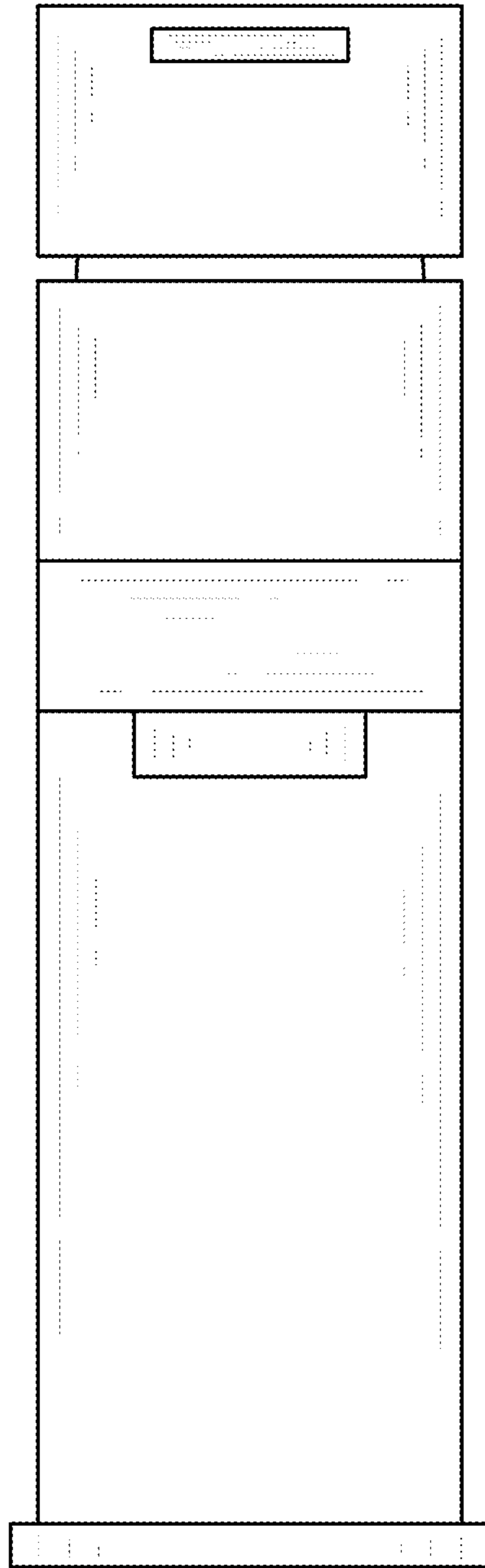


FIG. 5

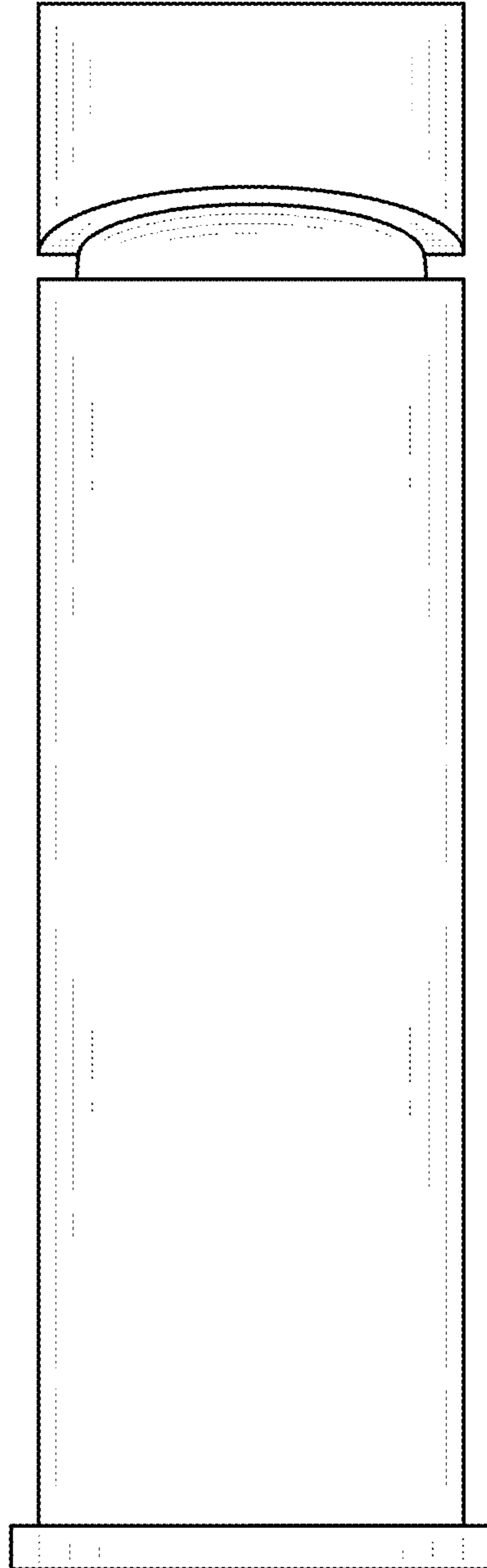


FIG. 6

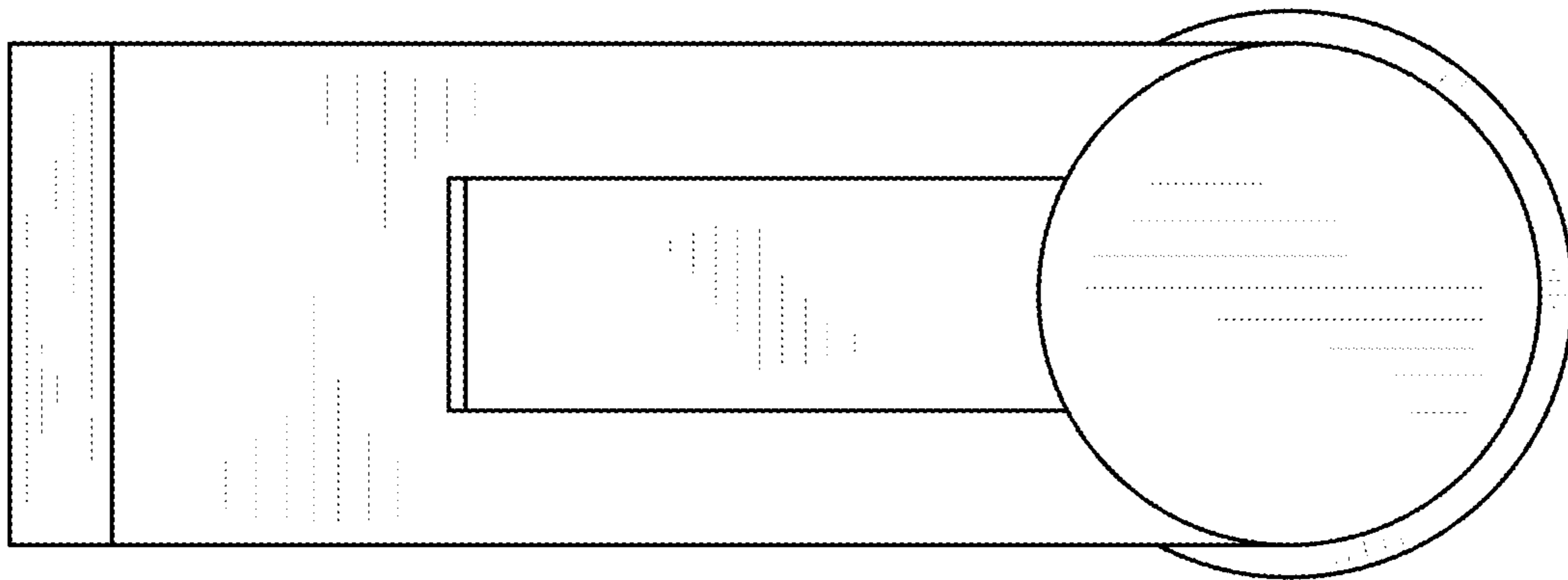


FIG. 7

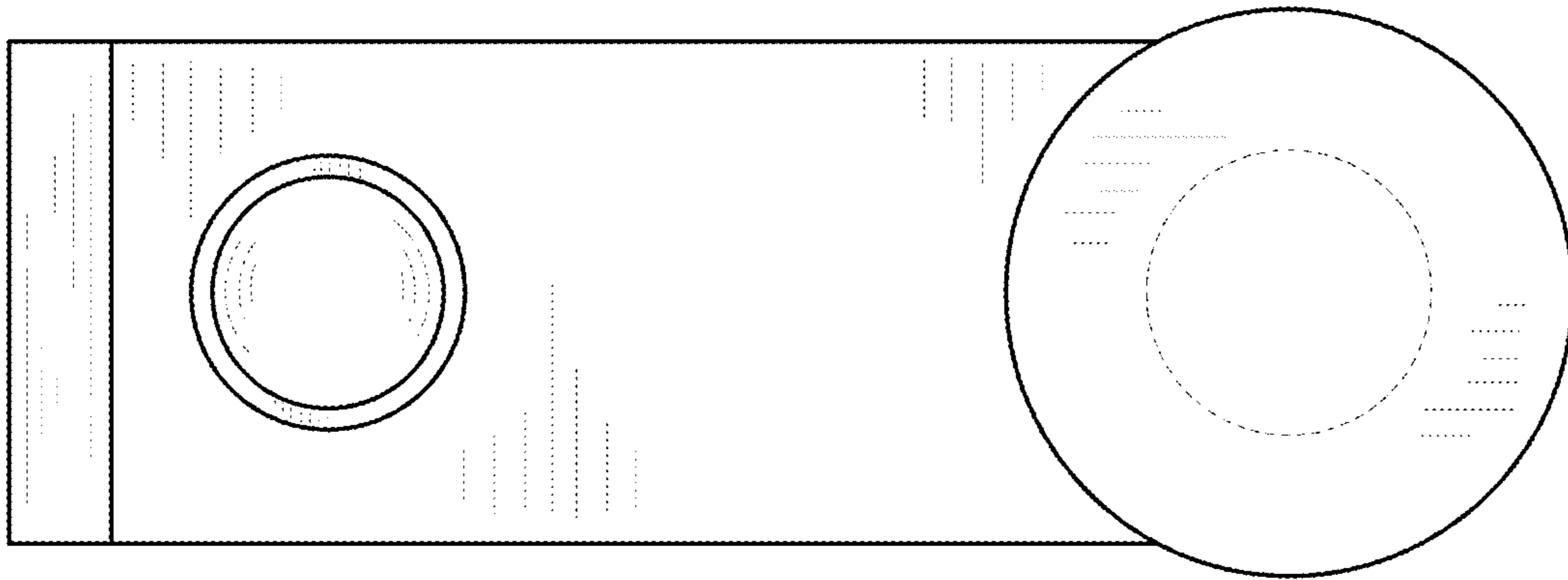


FIG. 8