



US00D913444S

(12) **United States Design Patent**
Cai

(10) **Patent No.:** **US D913,444 S**

(45) **Date of Patent:** **** Mar. 16, 2021**

(54) **FAUCET**

(71) Applicant: **Wenzhou Zhuoyi Sanitary Ware Co., Ltd.**, Wenzhou (CN)

(72) Inventor: **Qunfeng Cai**, Wenzhou (CN)

(73) Assignee: **Wenzhou Zhuoyi Sanitary Ware Co., Ltd.**, Wenzhou (CN)

(**) Term: **15 Years**

(21) Appl. No.: **29/703,578**

(22) Filed: **Aug. 28, 2019**

(51) **LOC (13) Cl.** **23-01**

(52) **U.S. Cl.**
USPC **D23/238**

(58) **Field of Classification Search**
USPC D23/238, 239, 240, 241, 242, 243, 249,
D23/250, 255, 256, 257; D6/524
CPC E03C 1/04; E03C 1/0401; E03C 1/0402;
E03C 1/0404; E03C 1/0405; E03C
1/0412; Y10T 137/9464
See application file for complete search history.

(56) **References Cited**

U.S. PATENT DOCUMENTS

D304,853 S * 11/1989 Pery D23/257
D512,483 S * 12/2005 Painsi D23/238
D708,710 S * 7/2014 Yu D23/238

D810,236 S * 2/2018 Schoenherr D23/238
D810,890 S * 2/2018 Takayama D23/255
D855,155 S * 7/2019 Stuart D23/238
D870,238 S * 12/2019 Gage D23/238
D895,070 S * 9/2020 Zhang D23/238
D895,071 S * 9/2020 Zhang D23/238
2020/0087901 A1 * 3/2020 Rosko E03C 1/0407

* cited by examiner

Primary Examiner — John A Voytek

(74) *Attorney, Agent, or Firm* — ScienBiziP, P.C.

(57) **CLAIM**

The ornamental design for a faucet, as shown and described.

DESCRIPTION

FIG. 1 is a first perspective view of a faucet, showing my design.

FIG. 2 is a second perspective view thereof.

FIG. 3 is a front elevation view thereof.

FIG. 4 is a rear elevation view thereof.

FIG. 5 is a left side elevation view thereof.

FIG. 6 is a right side elevation view thereof.

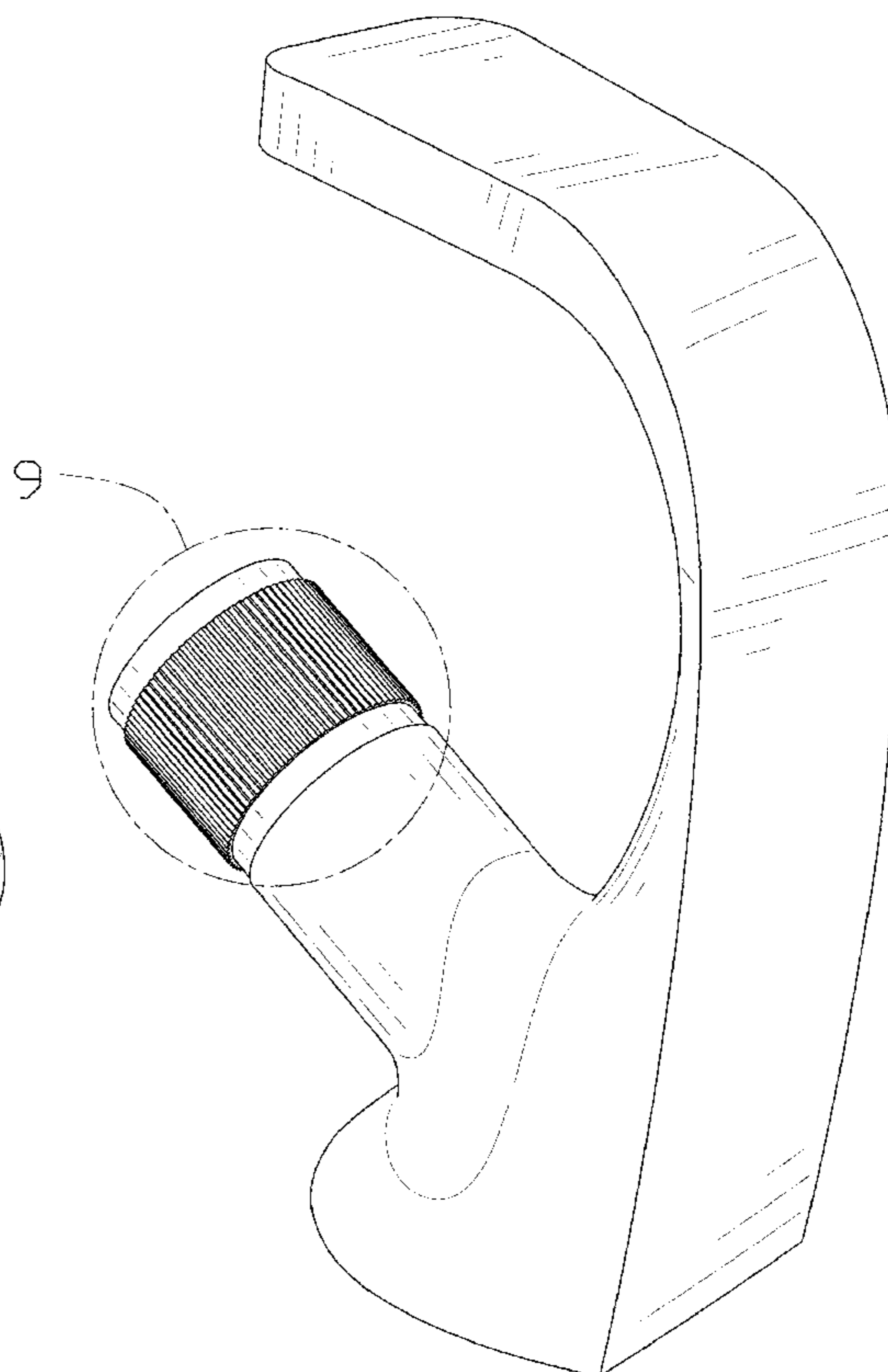
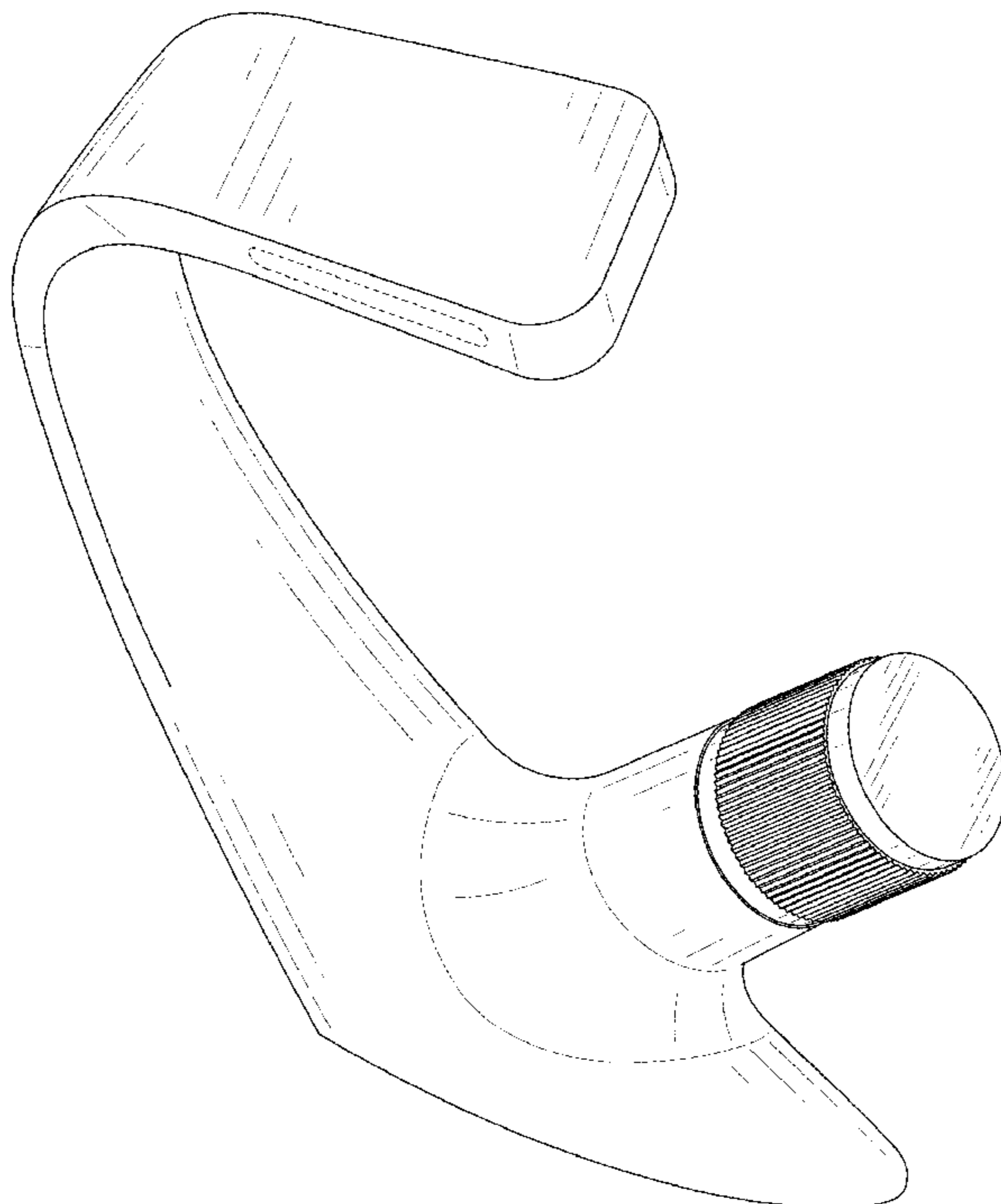
FIG. 7 is a top plan view thereof.

FIG. 8 is a bottom plan view thereof; and,

FIG. 9 is an enlarged view of an area labeled 9 in FIG. 2 of the faucet.

The evenly spaced broken lines depict portions of the faucet that form no part of the claimed design; the dash-dot dash broken lines surrounding the enlarged view in FIGS. 2 and 9 are for annotation purposes only and form no part thereof.

1 Claim, 9 Drawing Sheets



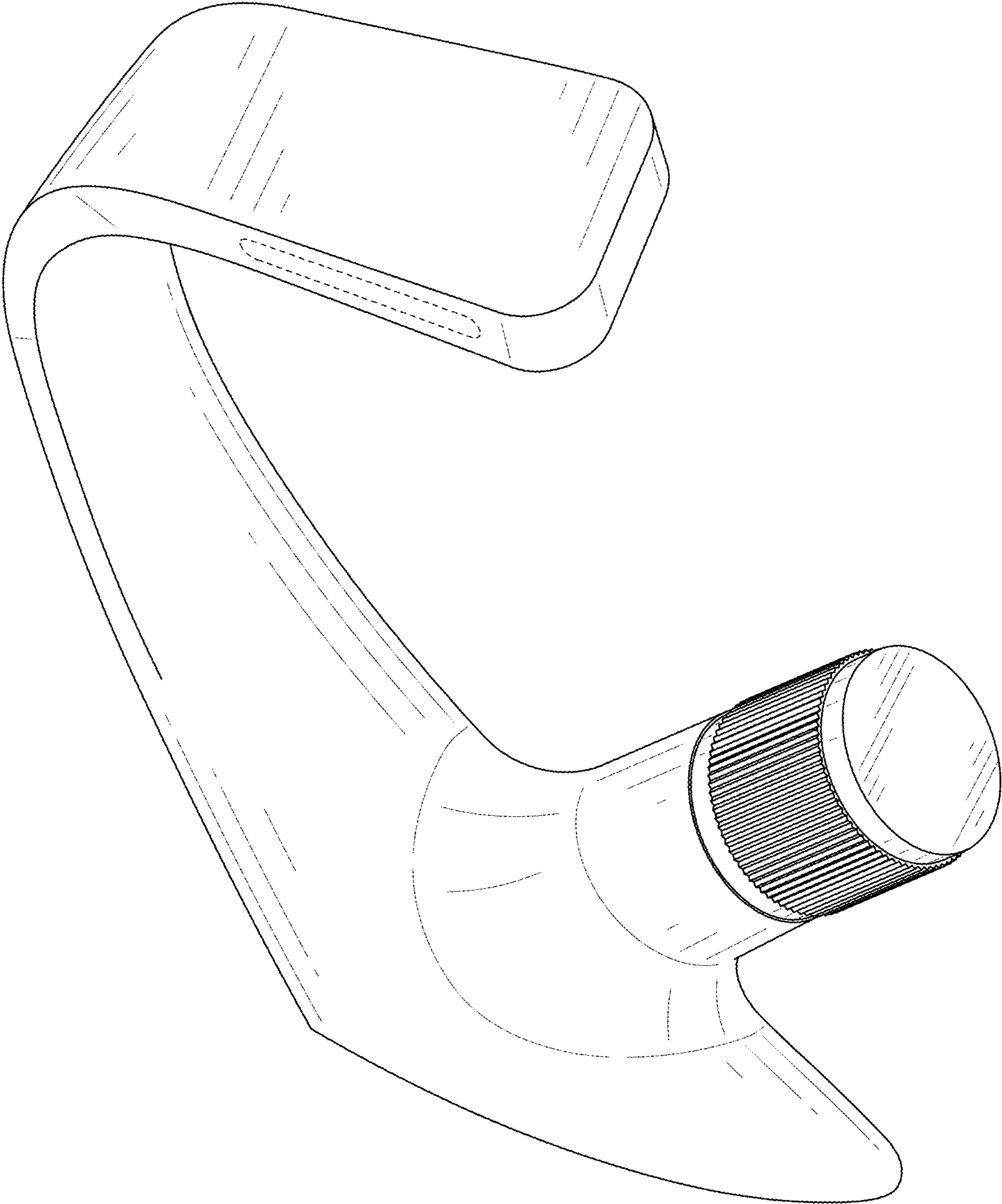


FIG. 1

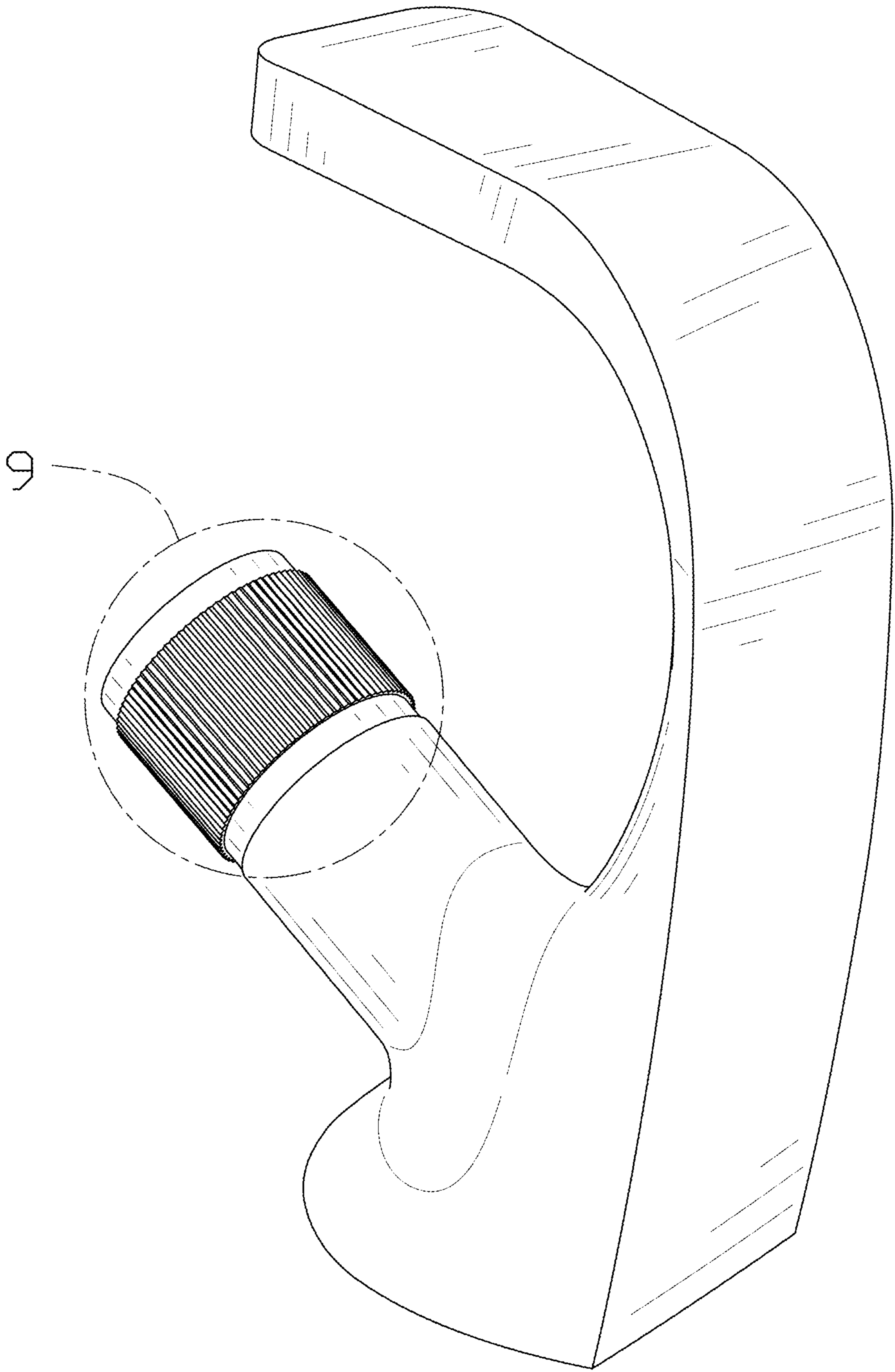


FIG. 2

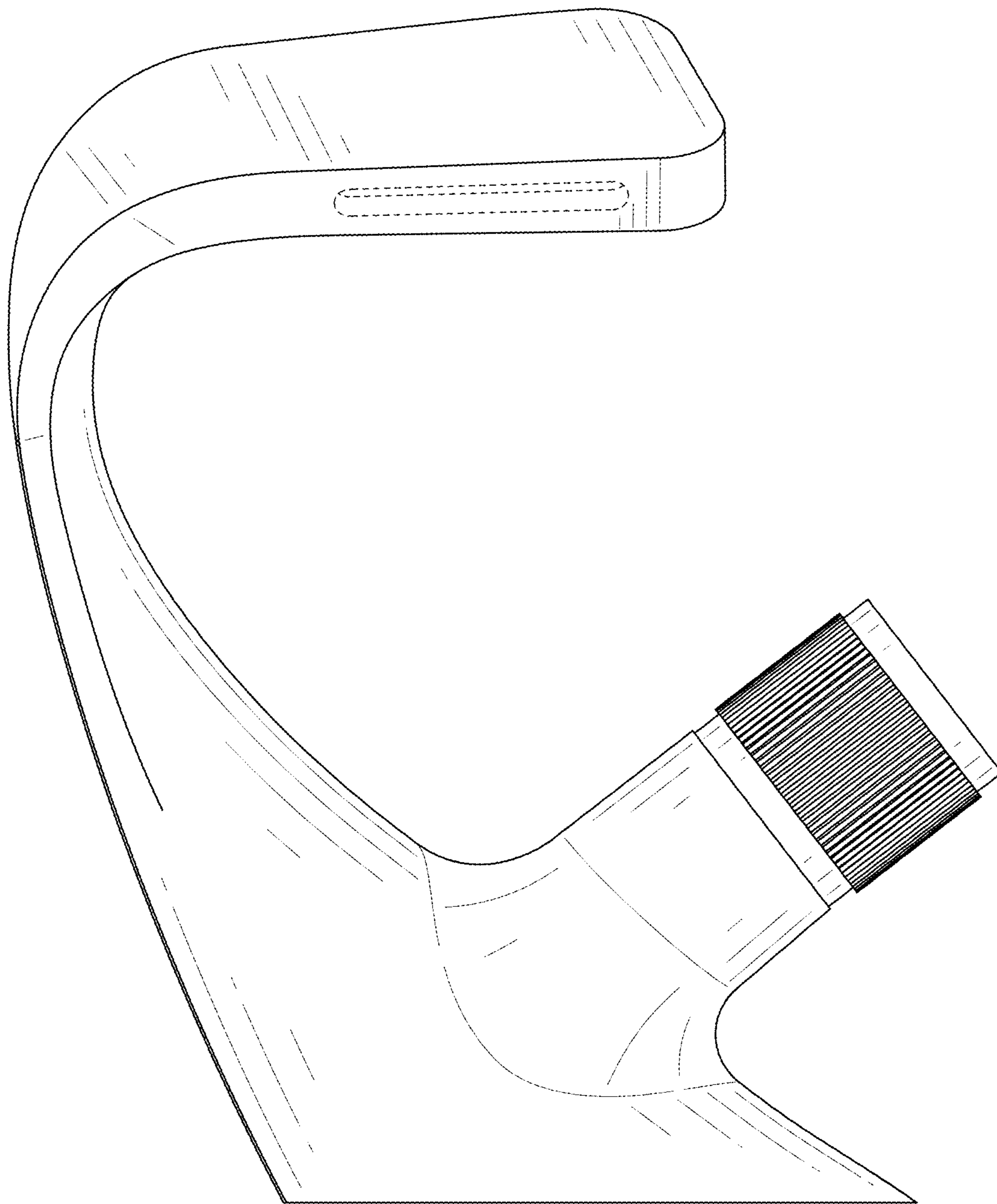


FIG. 3

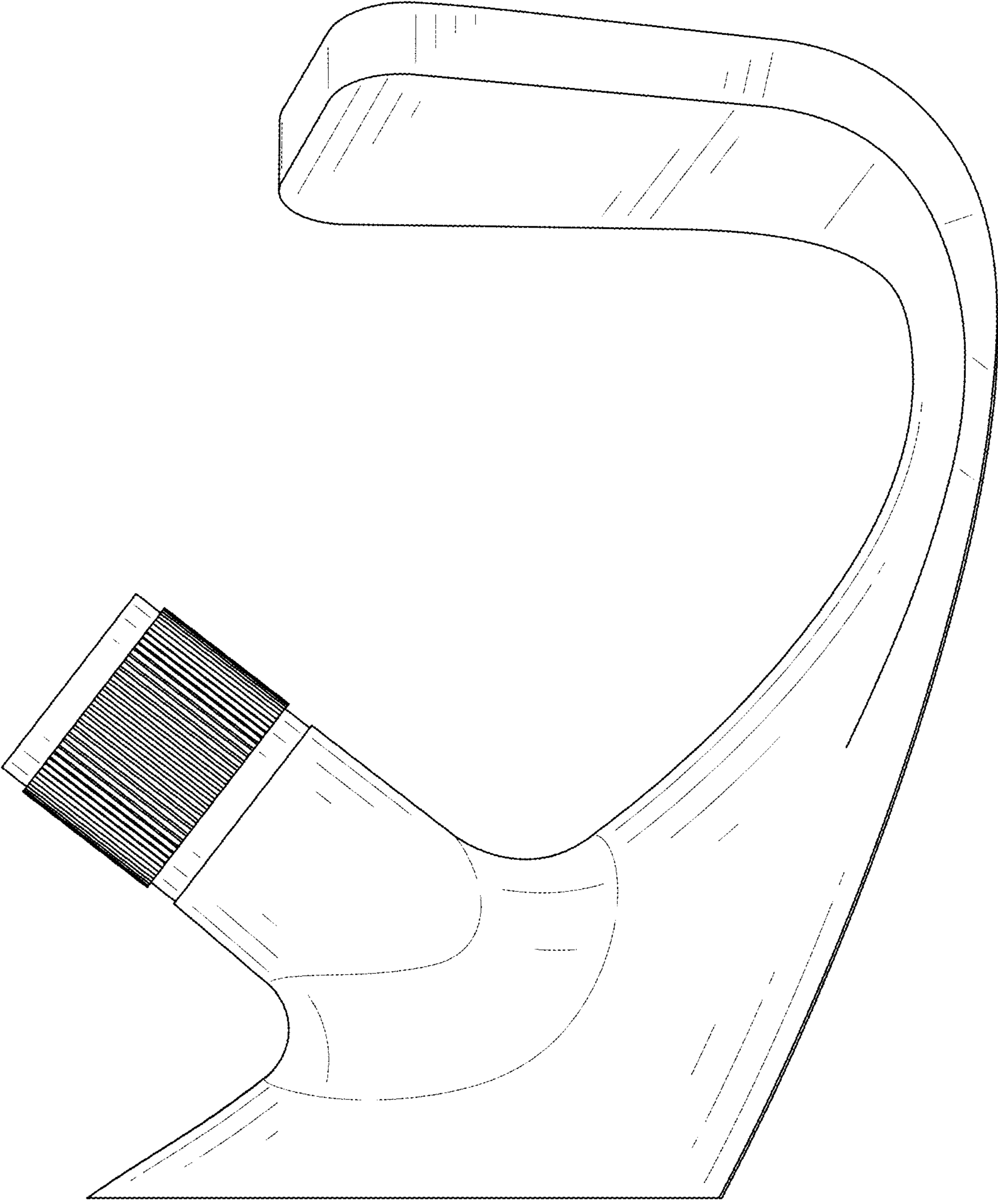


FIG. 4

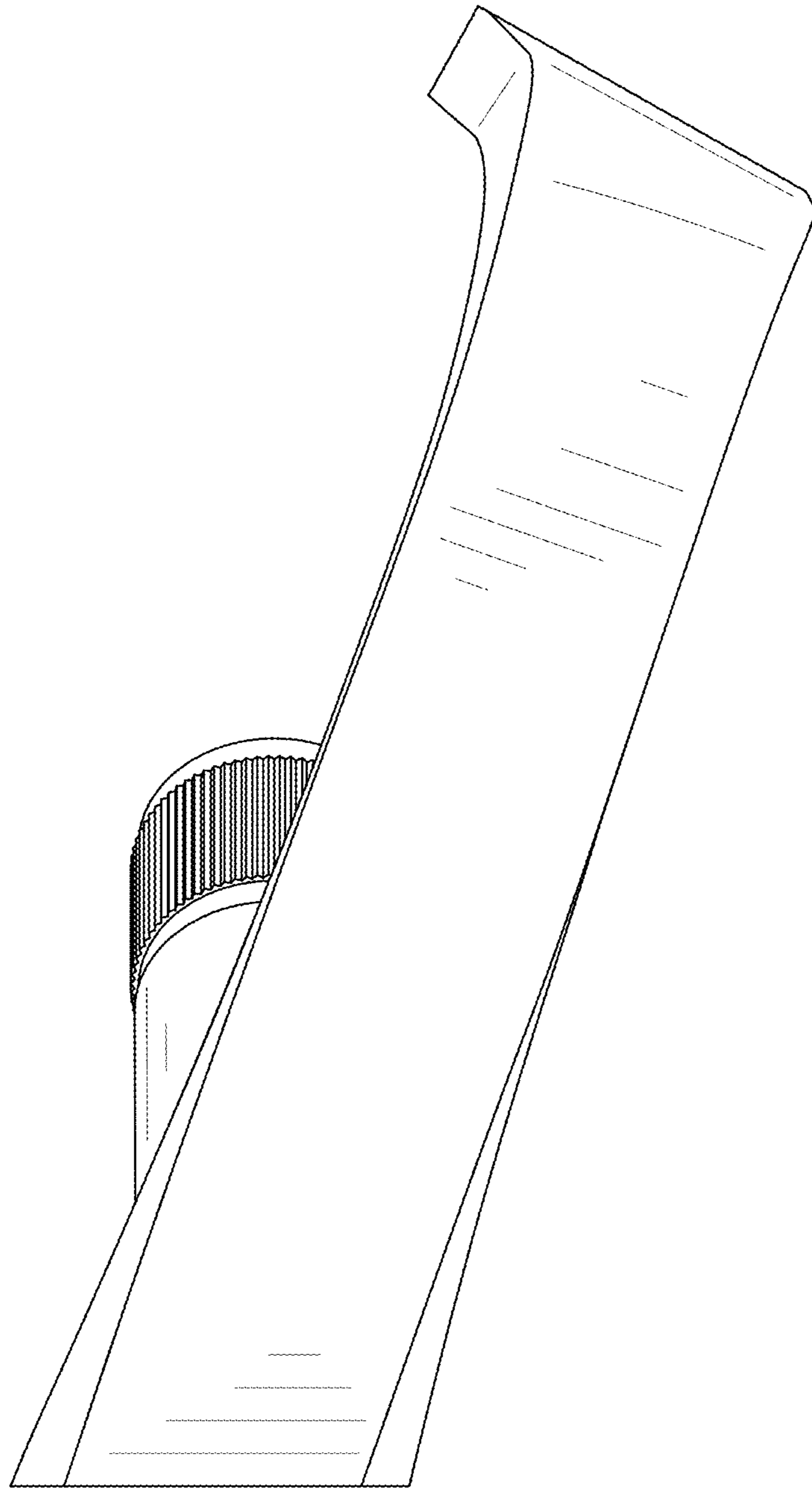


FIG. 5

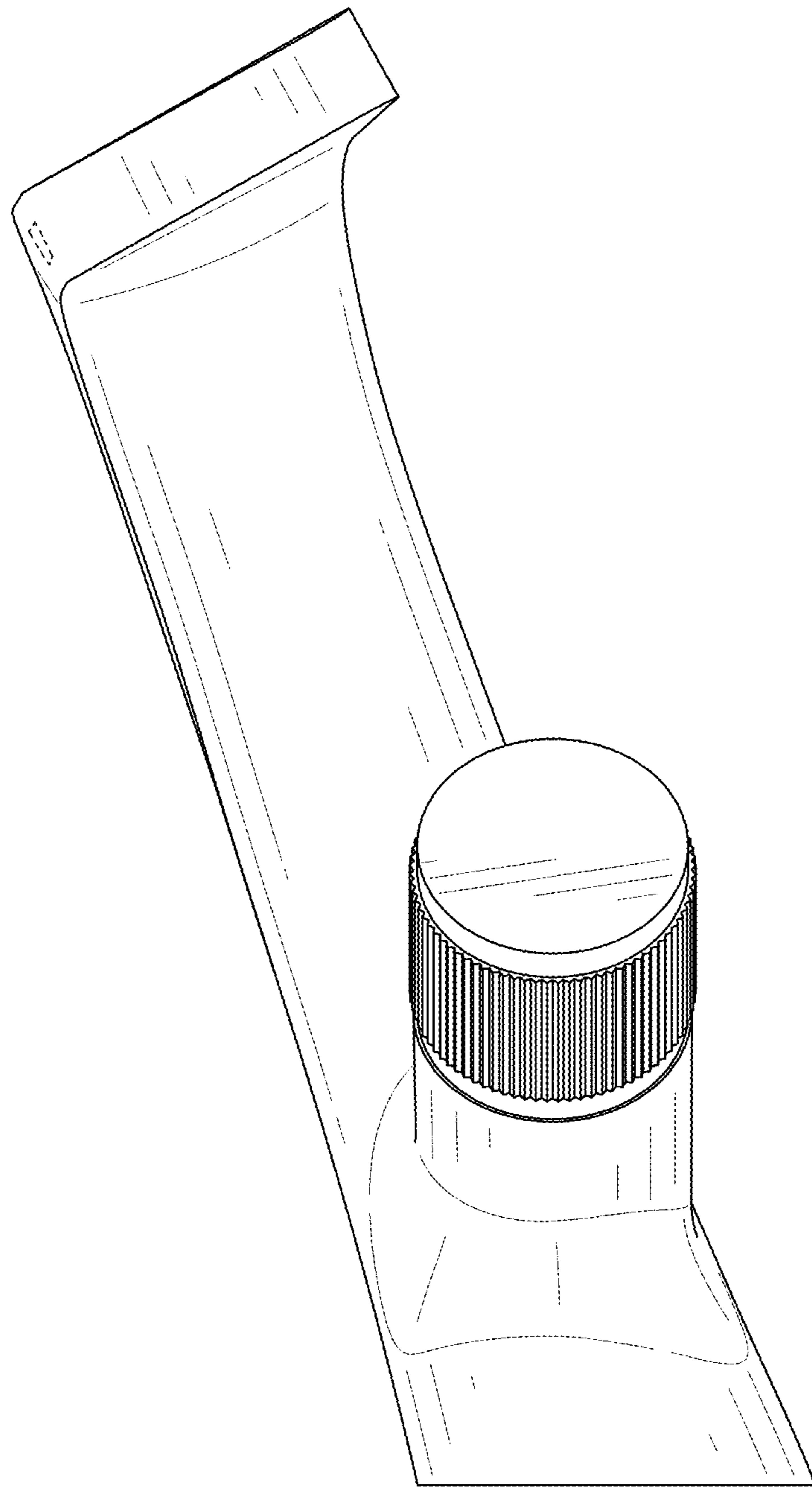


FIG. 6

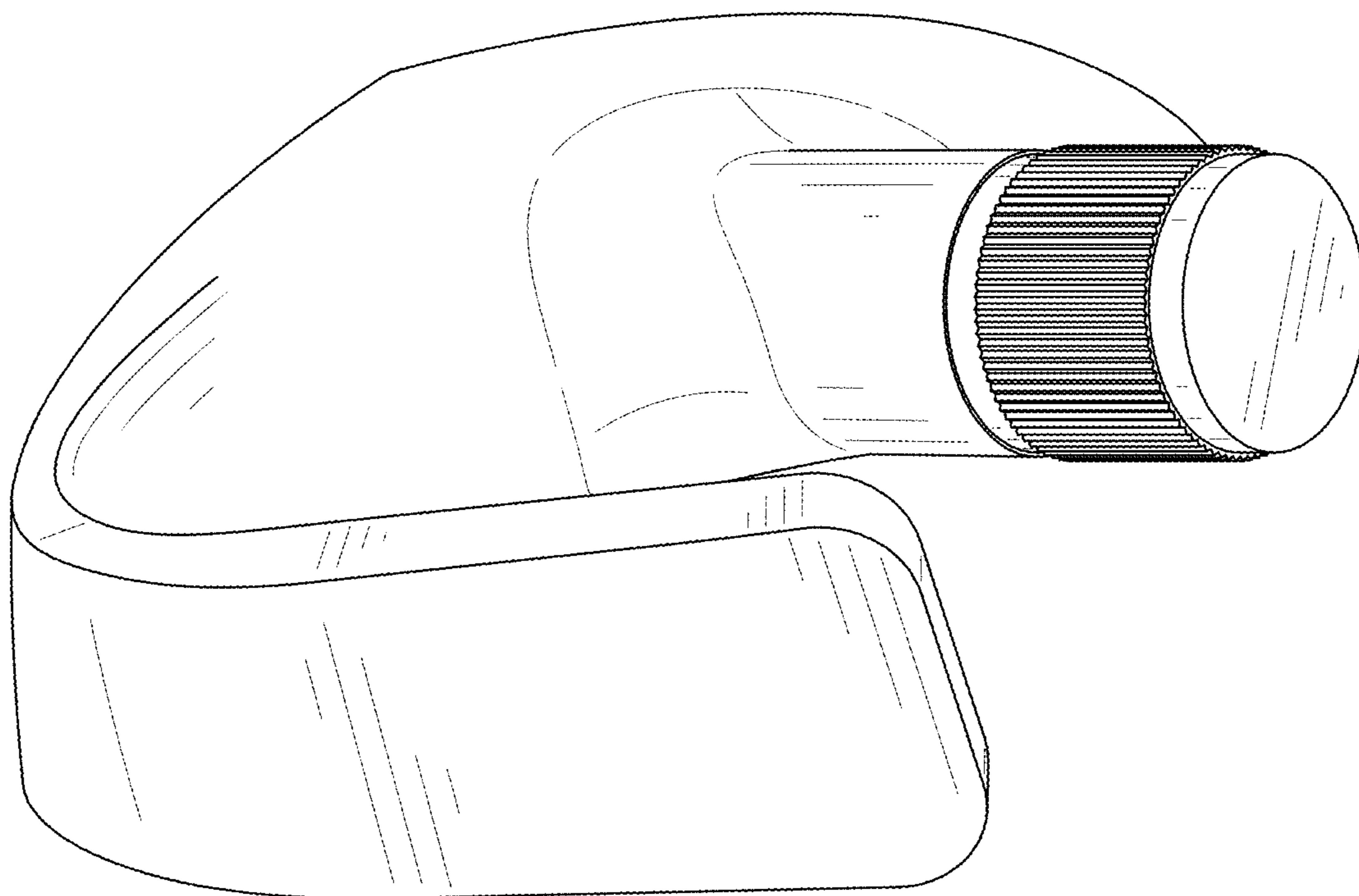


FIG. 7

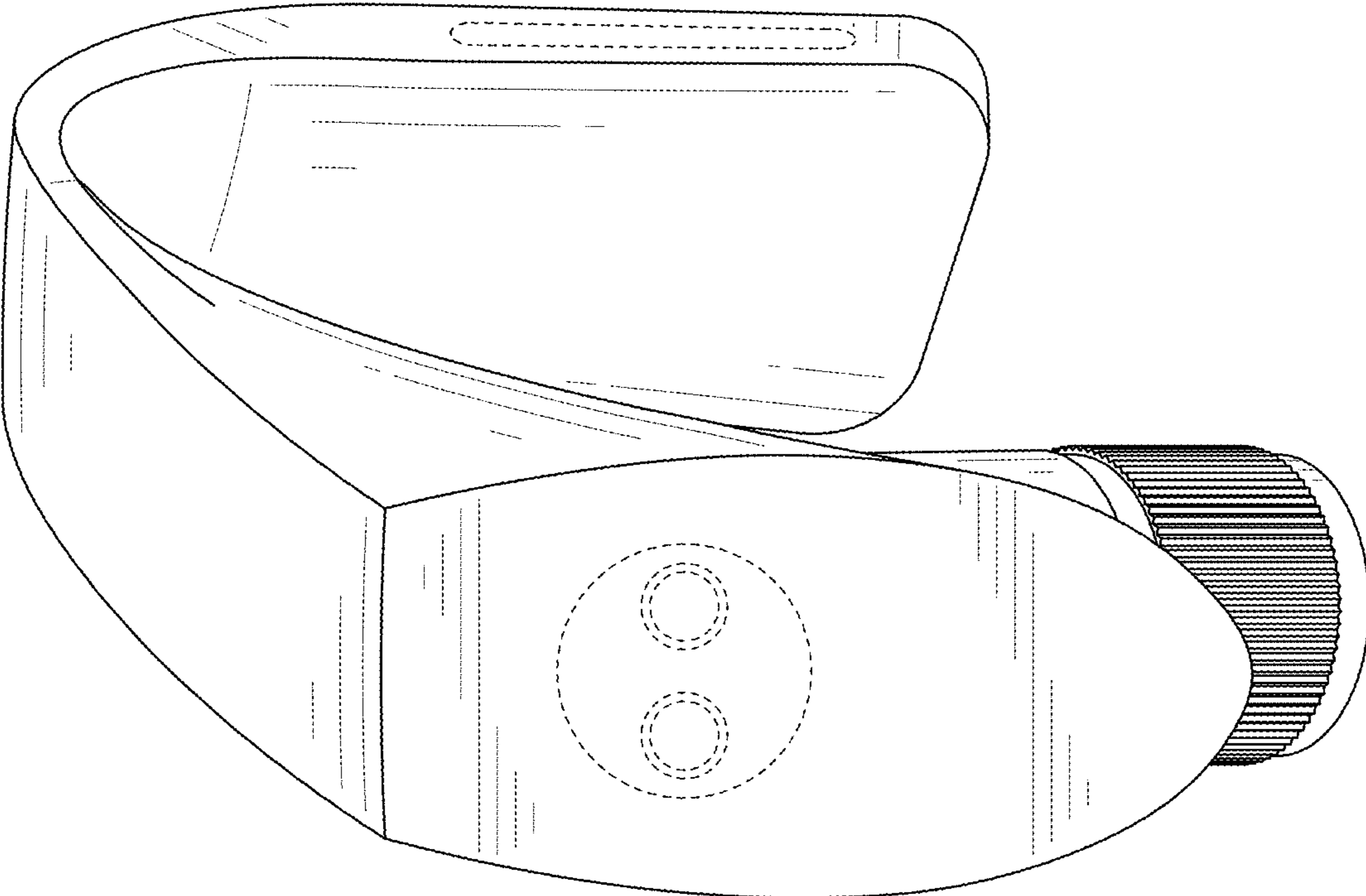


FIG. 8

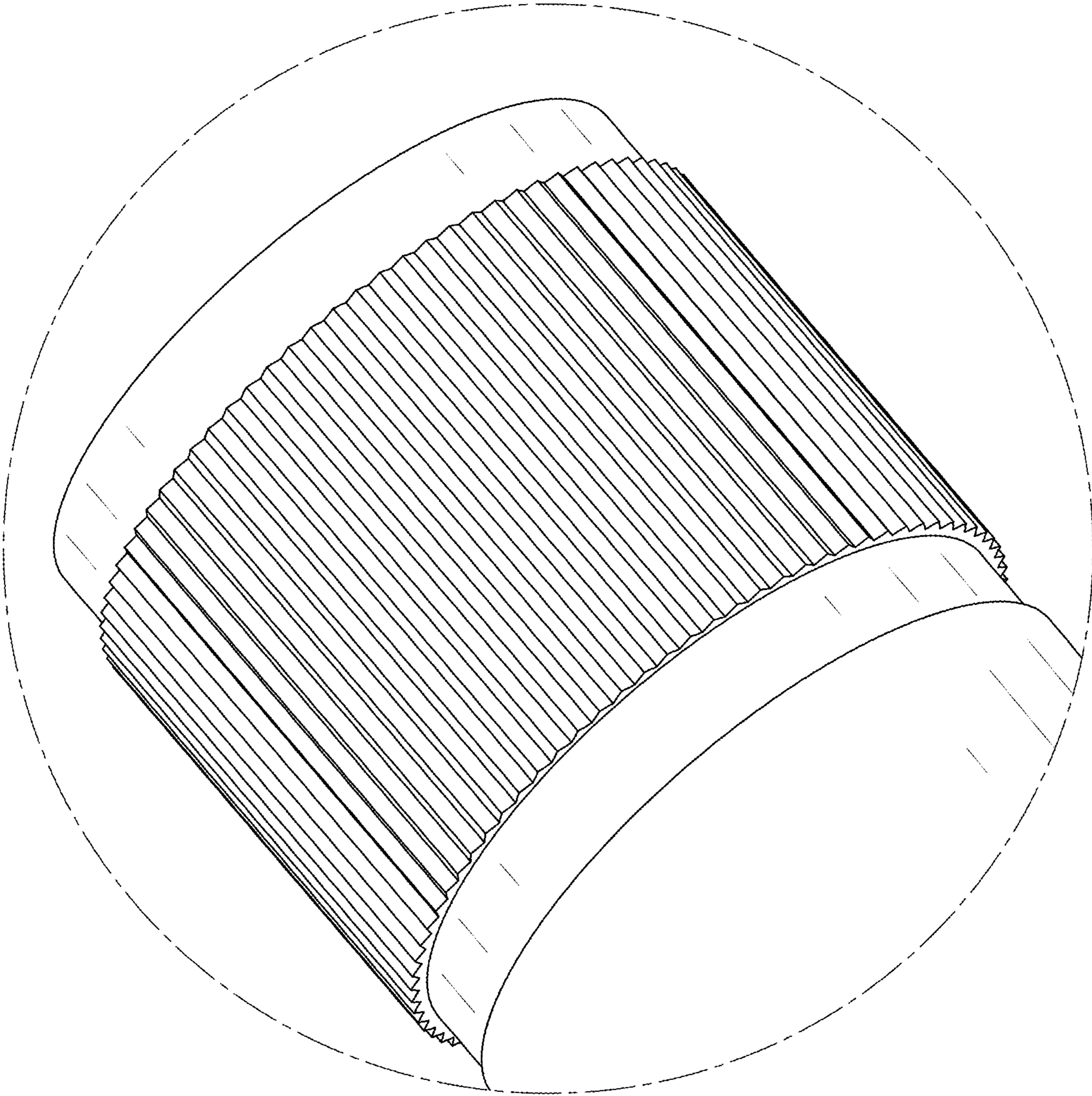


FIG. 9