



US00D913441S

(12) **United States Design Patent** (10) **Patent No.:** **US D913,441 S**
He (45) **Date of Patent:** **** Mar. 16, 2021**

(54) **FAUCET**
(71) Applicant: **Guangzhou Weisihui Jiaju Co., LTD.**,
Guangzhou (CN)
(72) Inventor: **Min He**, Guangzhou (CN)
(**) Term: **15 Years**
(21) Appl. No.: **29/702,079**
(22) Filed: **Aug. 16, 2019**
(51) **LOC (13) Cl.** **23-01**
(52) **U.S. Cl.**
USPC **D23/238**
(58) **Field of Classification Search**
USPC D23/238, 239, 240, 241, 242, 243, 249,
D23/250, 255, 256, 257; D6/524
CPC E03C 1/04; E03C 1/0401; E03C 1/0402;
E03C 1/0404; E03C 1/0405; E03C
1/0412; Y10T 137/9464
See application file for complete search history.

D723,665 S * 3/2015 Kulig D23/238
D786,403 S * 5/2017 Schoenherr D23/238
D787,020 S * 5/2017 Ziemann D23/238
D860,396 S * 9/2019 Seum D23/238
D882,735 S * 4/2020 Seum D23/238
2017/0044745 A1* 2/2017 Lee E03C 1/04
2017/0058496 A1* 3/2017 Chiu B05B 1/16
2018/0127959 A1* 5/2018 Yuan B05B 1/02

* cited by examiner

Primary Examiner — John A Voytek
(74) *Attorney, Agent, or Firm* — Novoclaims Patent
Services LLC; Mei Lin Wong

(57) **CLAIM**

The ornamental design for a faucet, as shown and described.

DESCRIPTION

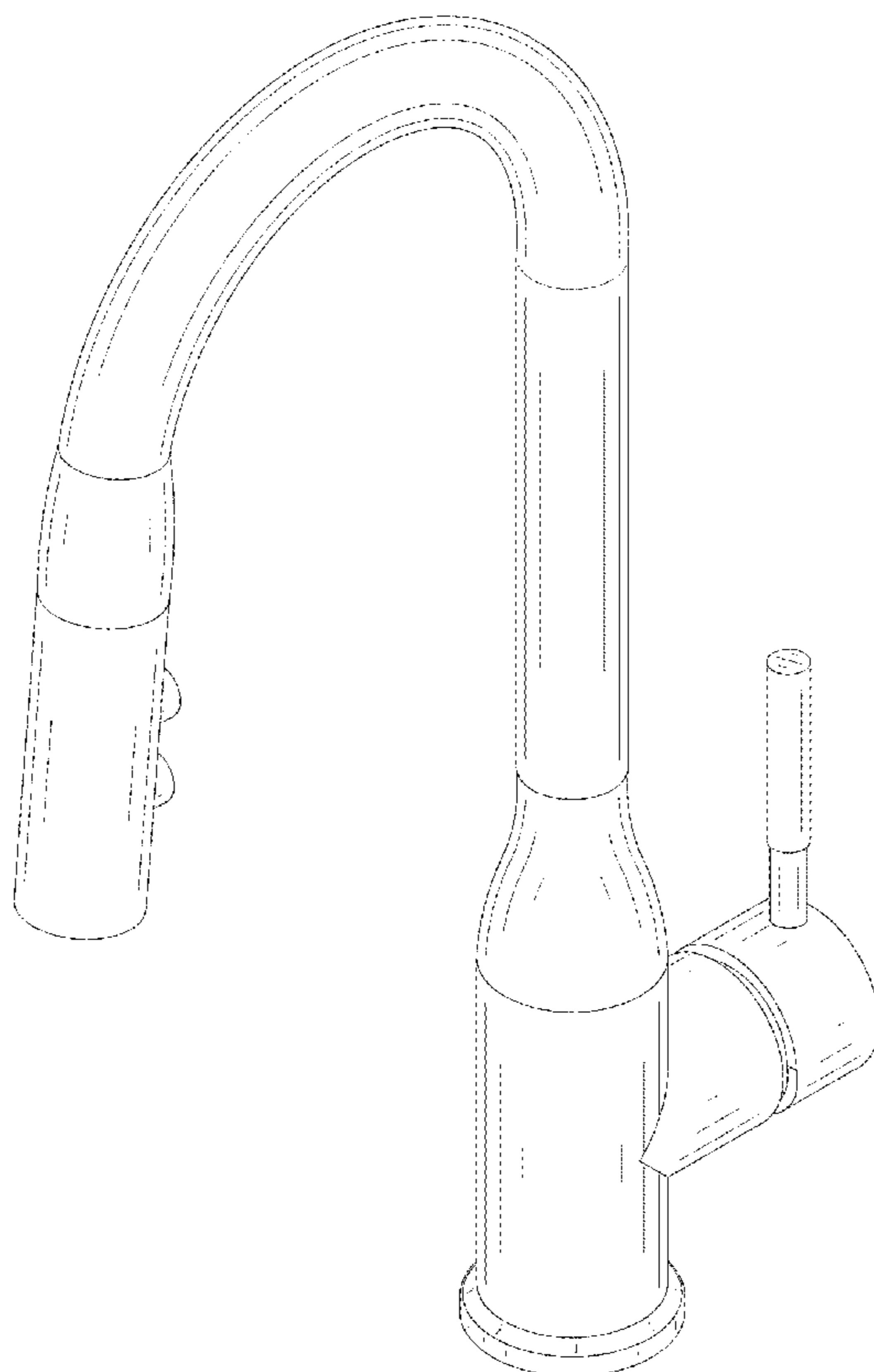
FIG. 1 is a front perspective view of a faucet, showing my new design;
FIG. 2 is a rear perspective view thereof;
FIG. 3 is a front elevational view thereof;
FIG. 4 is a rear elevational view thereof;
FIG. 5 is a left side elevational view thereof;
FIG. 6 is a right side elevational view thereof;
FIG. 7 is a top plan view thereof; and,
FIG. 8 is a bottom plan view thereof.
The broken lines in the drawings depict portions of the faucet that form no part of the claimed design.

1 Claim, 8 Drawing Sheets

(56) **References Cited**

U.S. PATENT DOCUMENTS

D444,212 S * 6/2001 Fleischmann D23/238
D473,630 S * 4/2003 Wettstein D23/238
D612,015 S * 3/2010 Lammel D23/238
D629,873 S * 12/2010 Roy D23/255
D644,302 S * 8/2011 Flowers D23/238
D645,120 S * 9/2011 Lammel D23/238
D697,588 S * 1/2014 Schoenherr D23/238



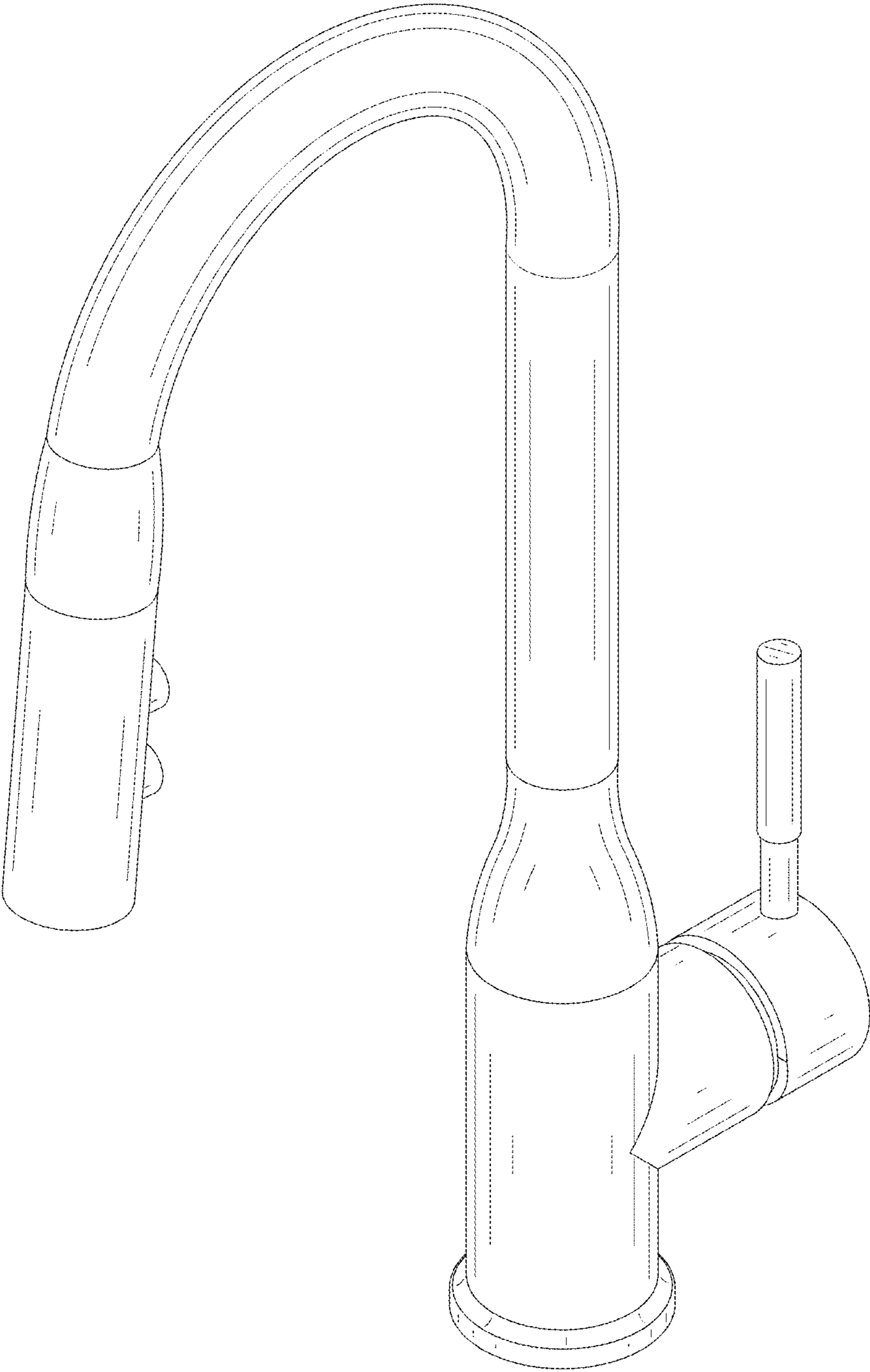


FIG.1

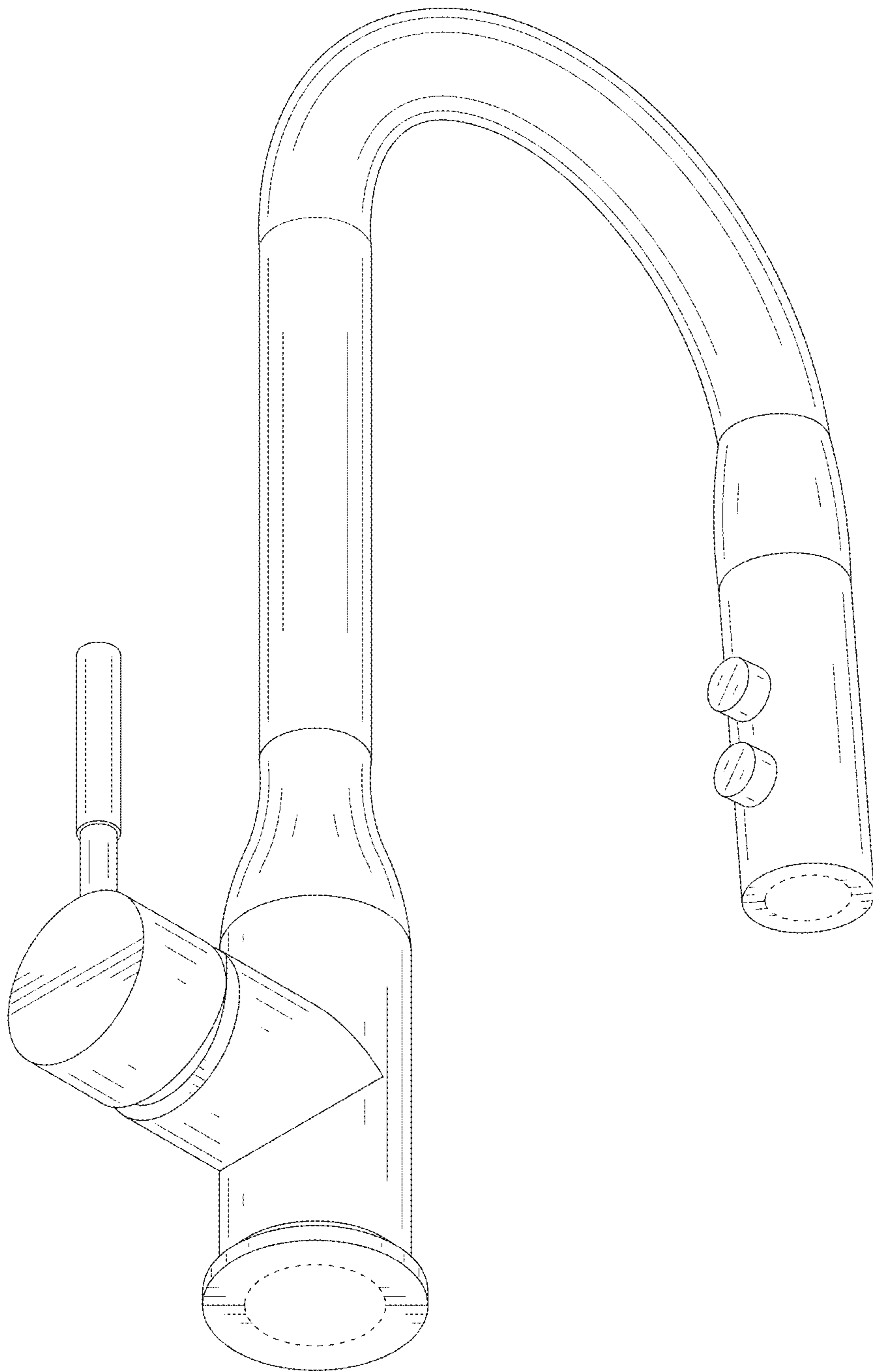


FIG.2

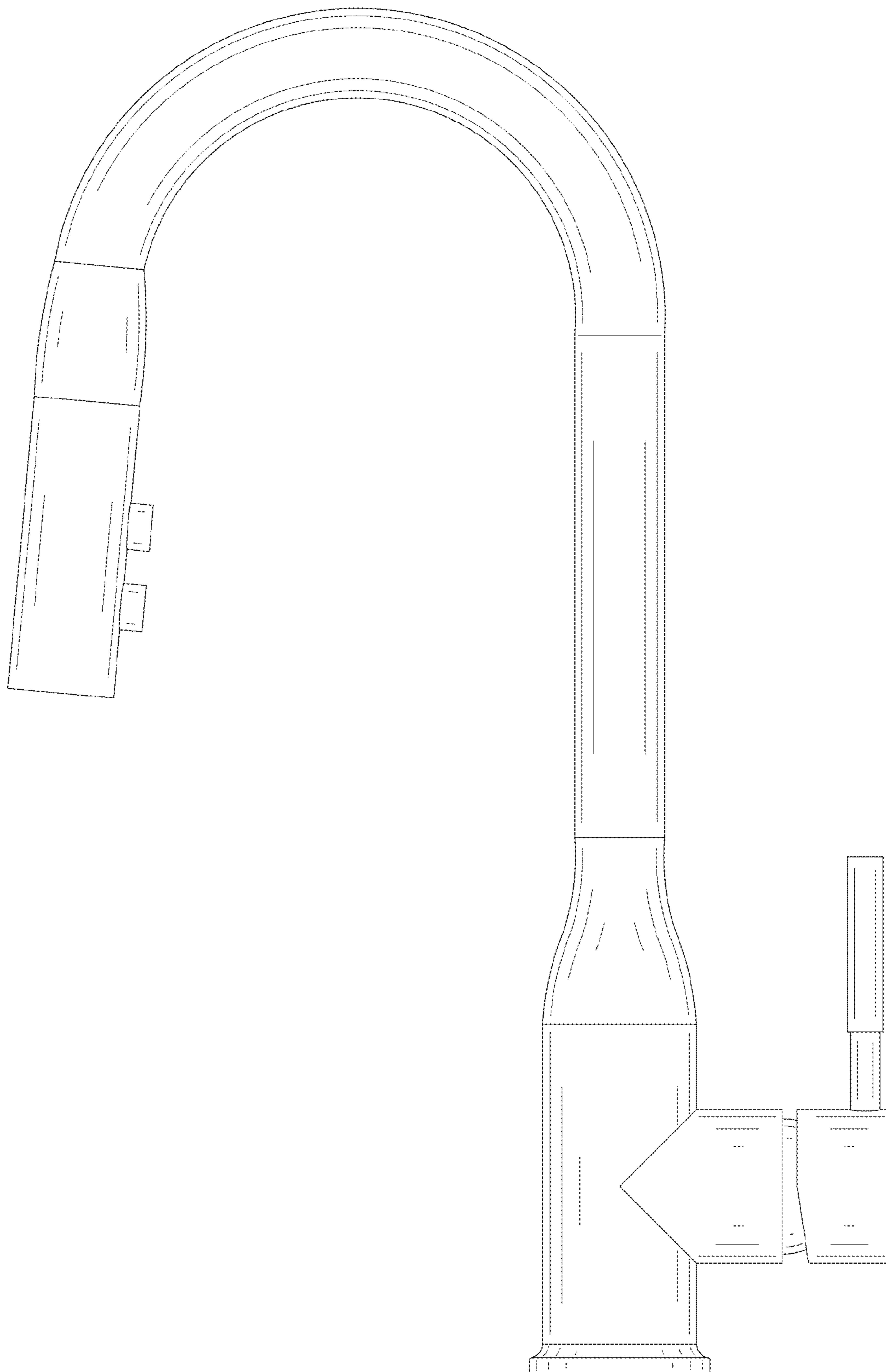


FIG.3

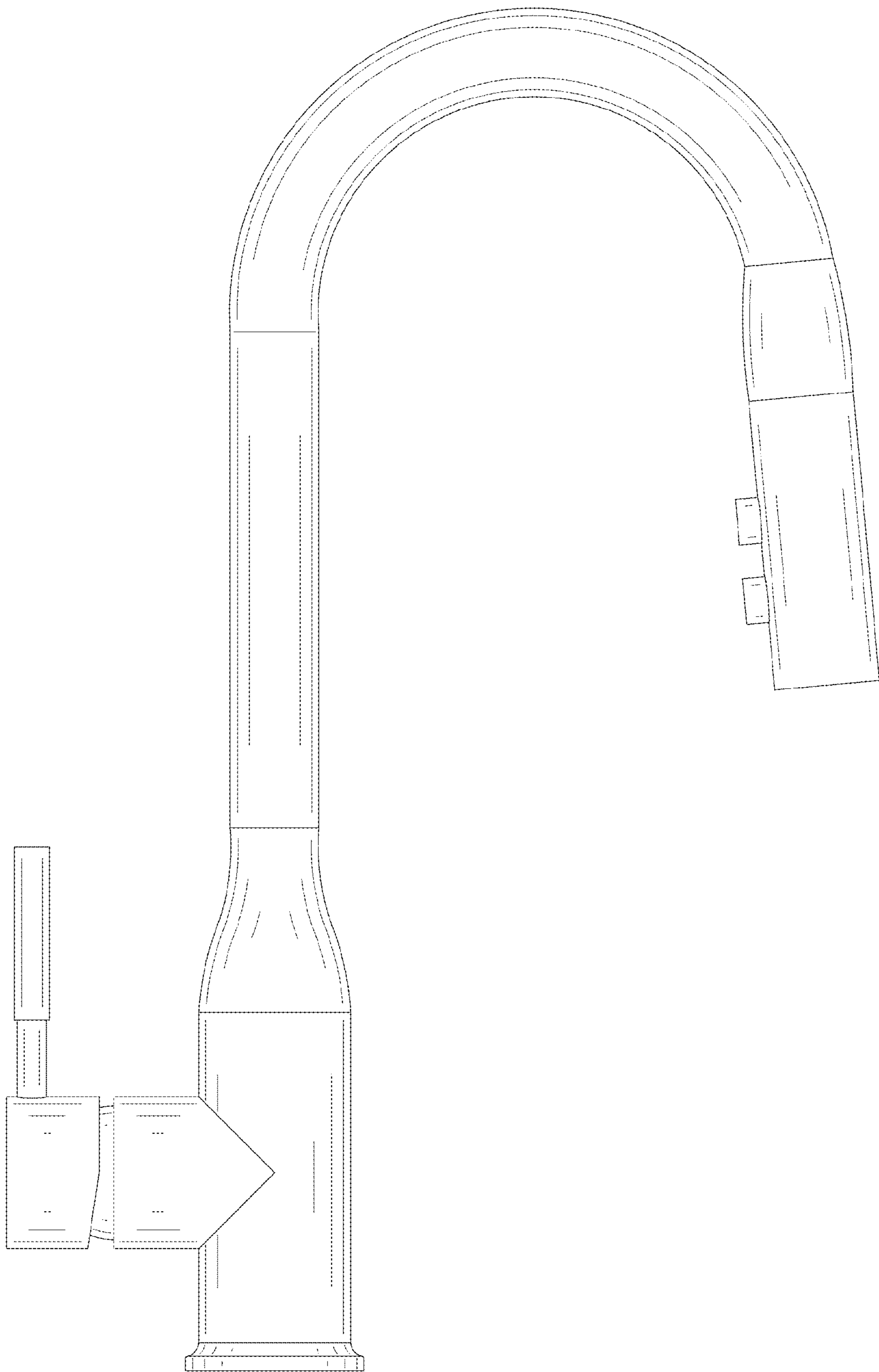


FIG.4

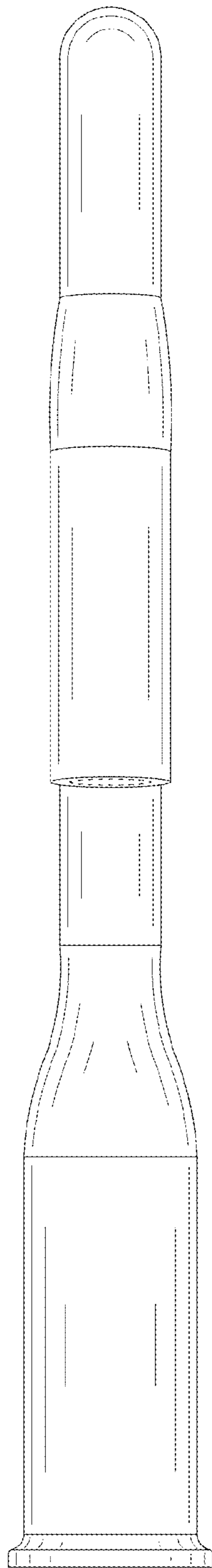


FIG.5

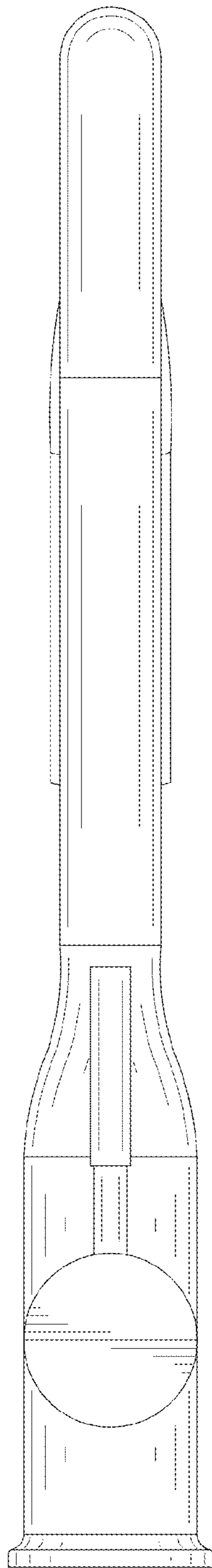


FIG.6

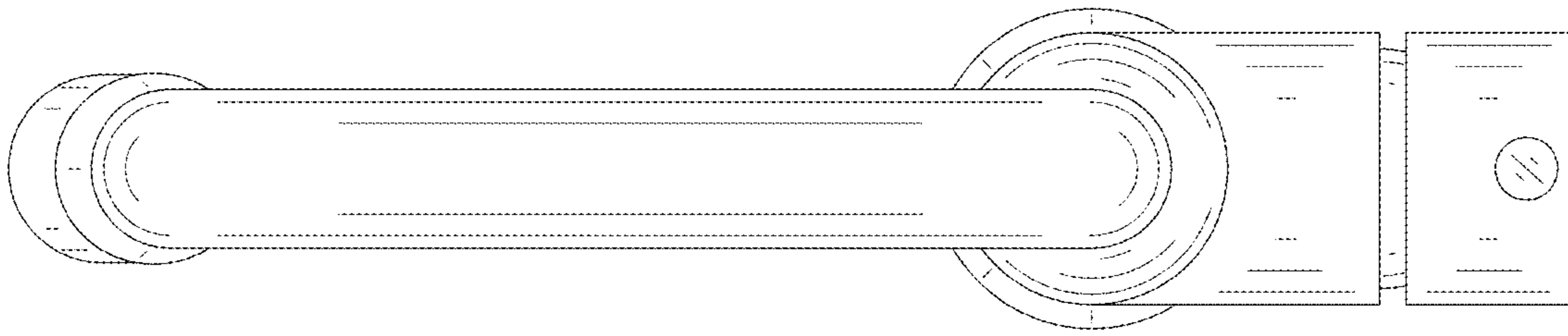


FIG.7

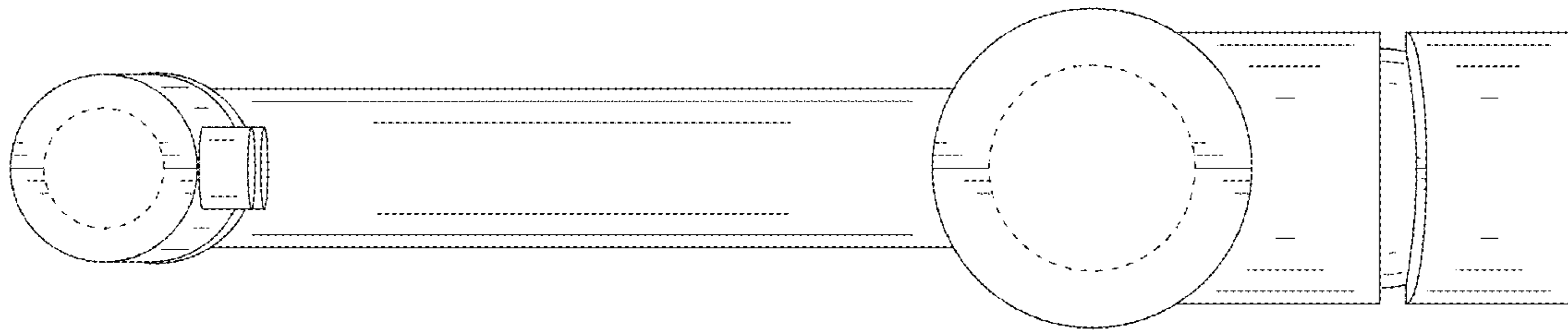


FIG.8