



US00D913437S

(12) **United States Design Patent** (10) **Patent No.:** **US D913,437 S**
Zhu (45) **Date of Patent:** **** Mar. 16, 2021**

(54) **FAUCET**

FOREIGN PATENT DOCUMENTS

(71) Applicant: **Hansgrohe SE**, Schiltach (DE)
(72) Inventor: **Chuanbao Zhu**, Fujian (CN)
(73) Assignee: **Hansgrohe SE**, Schiltach (DE)
(**) Term: **15 Years**
(21) Appl. No.: **29/700,664**
(22) Filed: **Aug. 5, 2019**

CN	301978262	7/2012
CN	302093206	9/2012
CN	302405582	4/2013
CN	302505472	7/2013
CN	302642131	11/2013
CN	302662791	11/2013
CN	303817539	8/2016
CN	304074434	3/2017
CN	304185208	6/2017
CN	304724019	7/2018
CN	305197168	6/2019
EM	003164383-0001	6/2016

(Continued)

(30) **Foreign Application Priority Data**

Feb. 20, 2019 (EM) 006262440-0007

(51) **LOC (13) Cl.** **23-01**

(52) **U.S. Cl.**
USPC **D23/238**

(58) **Field of Classification Search**
USPC D23/238, 239, 240, 241, 242, 243, 249,
D23/255, 256, 257; D6/524
CPC E03C 1/04; E03C 1/0401; E03C 1/0402;
E03C 1/0404; E03C 1/0405; E03C
1/0412; Y10T 137/9464
See application file for complete search history.

(56) **References Cited**

U.S. PATENT DOCUMENTS

D517,649 S *	3/2006	Egee	D23/238
D594,936 S *	6/2009	Schoenherr	D23/238
D654,568 S *	2/2012	Yu	D23/238
D717,403 S *	11/2014	Fritz	D23/238
D752,717 S *	3/2016	Eads	D23/238
D796,635 S *	9/2017	Li	D23/238
D797,244 S *	9/2017	Kulig	D23/238
D803,986 S *	11/2017	Schoenherr	D23/238
D840,506 S *	2/2019	Garland	D23/238
D840,507 S *	2/2019	Garland	D23/238
D900,968 S *	11/2020	Garland	D23/238

OTHER PUBLICATIONS

Hansgrohe Joleena Single-Hole Faucet [Aug. 25, 2020] found online [Aug. 25, 2020]—<https://www.hansgrohe-usa.com/article-detail-joleena-single-hole-faucet-100-with-pop-up-drain-1-2-gpm-04771000>.*

Primary Examiner — John A Voytek
(74) *Attorney, Agent, or Firm* — Lora J. Graentzdoerffer

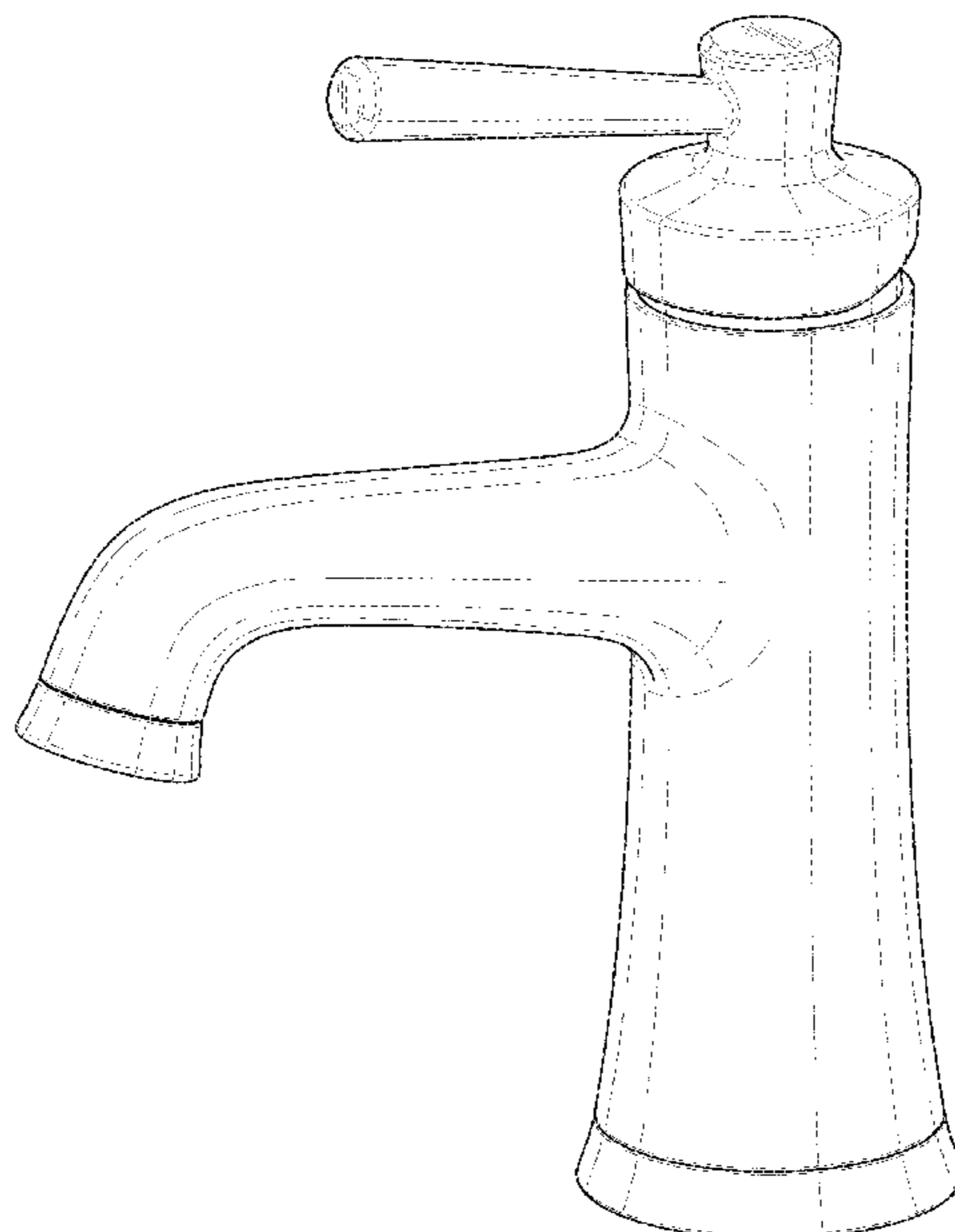
(57) **CLAIM**

The ornamental design for a faucet, as shown and described.

DESCRIPTION

FIG. 1 is a perspective view of a faucet showing my design; FIG. 2 is a front elevation view; FIG. 3 is a rear elevation view; FIG. 4 is a side elevation view; FIG. 5 is a top plan view; and, FIG. 6 is a bottom plan view. The broken-line disclosures in the drawings represent portions of the faucet that form no part of the claimed design.

1 Claim, 6 Drawing Sheets



(56)

References Cited

FOREIGN PATENT DOCUMENTS

EM	003164383-0002	6/2016
EM	003164383-0003	6/2016
EM	003164383-0004	6/2016
EM	003164383-0005	6/2016
EM	003164383-0006	6/2016
EM	003164383-0007	6/2016
EM	003164383-0008	6/2016
EM	003164383-0009	6/2016
EM	003164383-0010	6/2016

* cited by examiner

FIG. 1

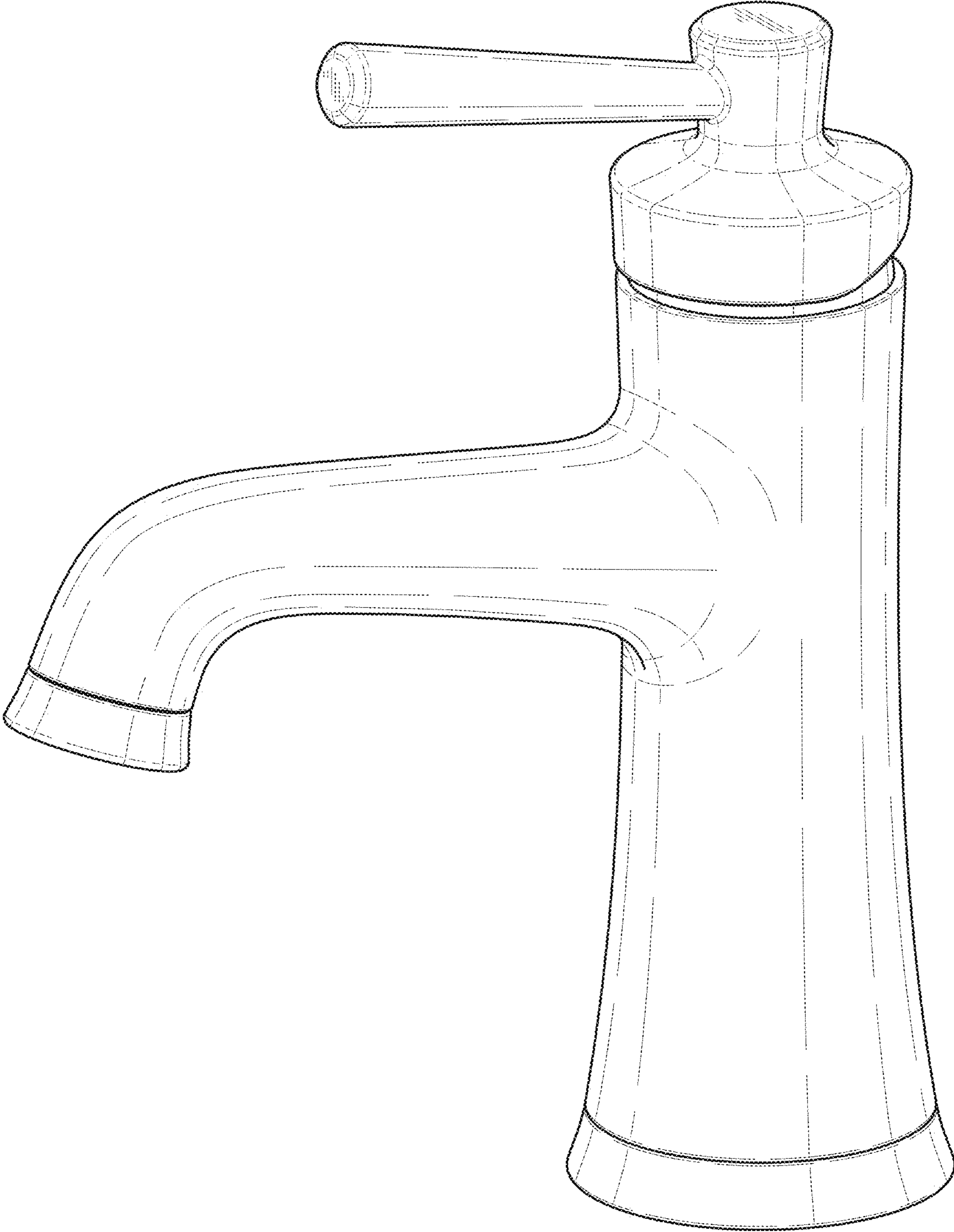


FIG. 2

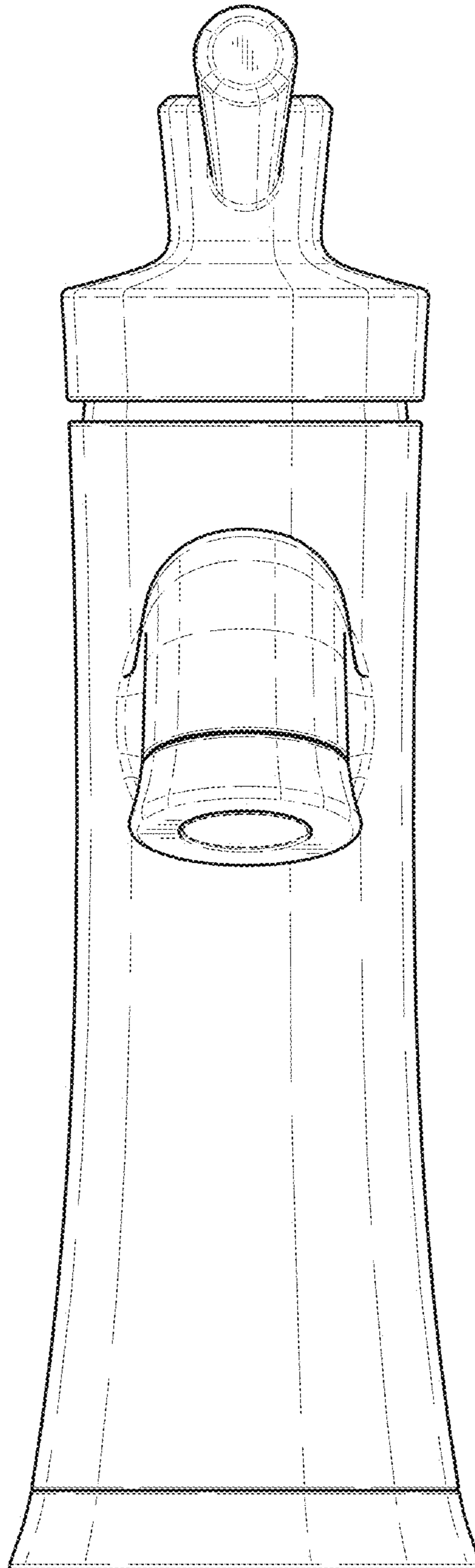


FIG. 3

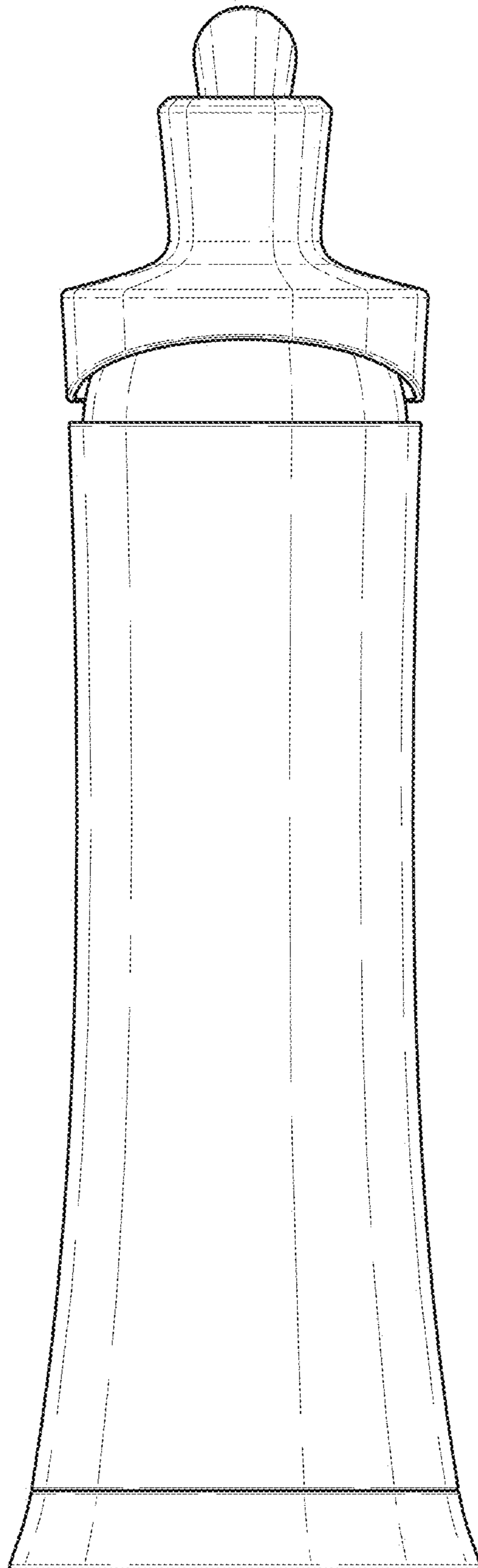


FIG. 4

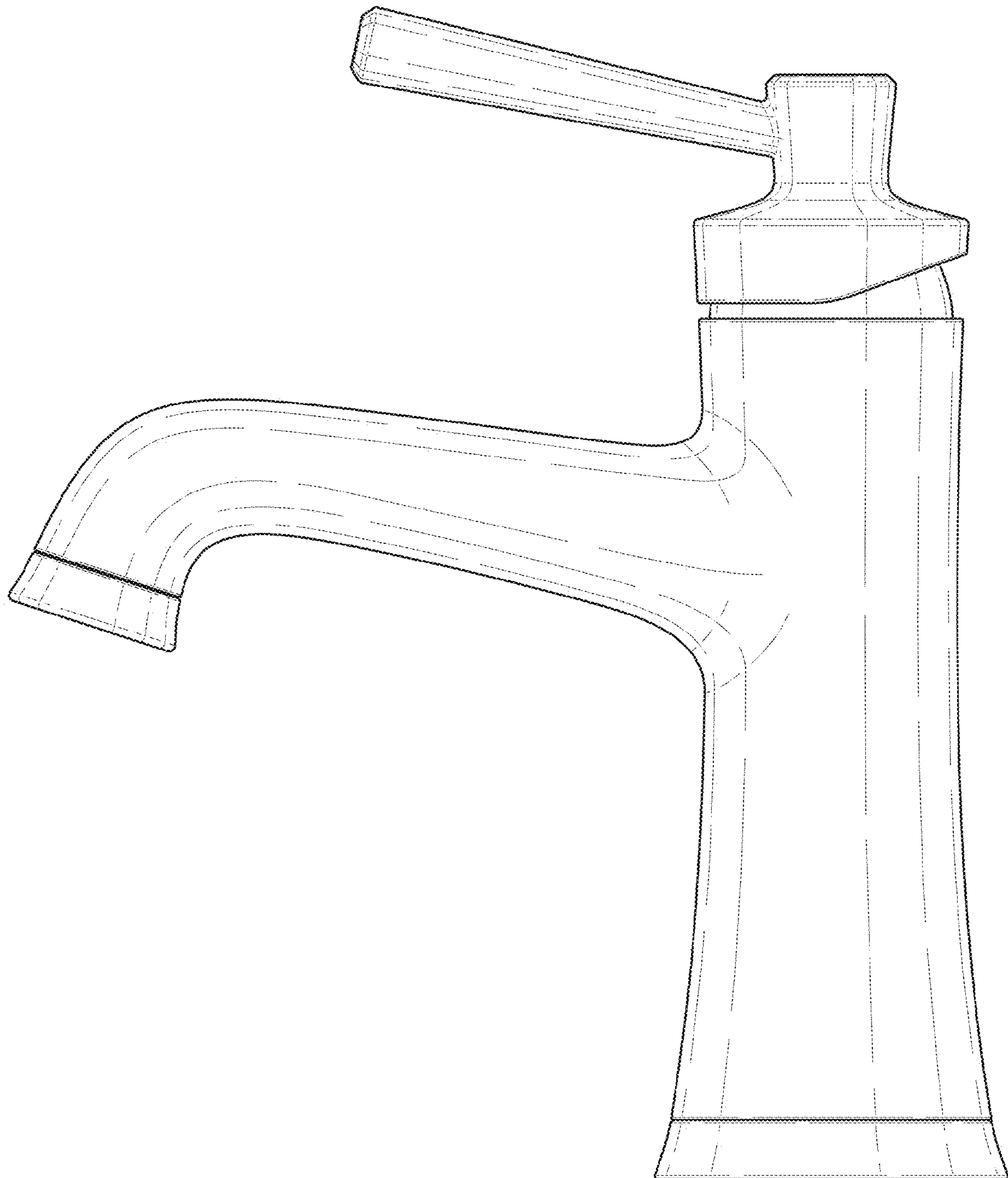


FIG. 5

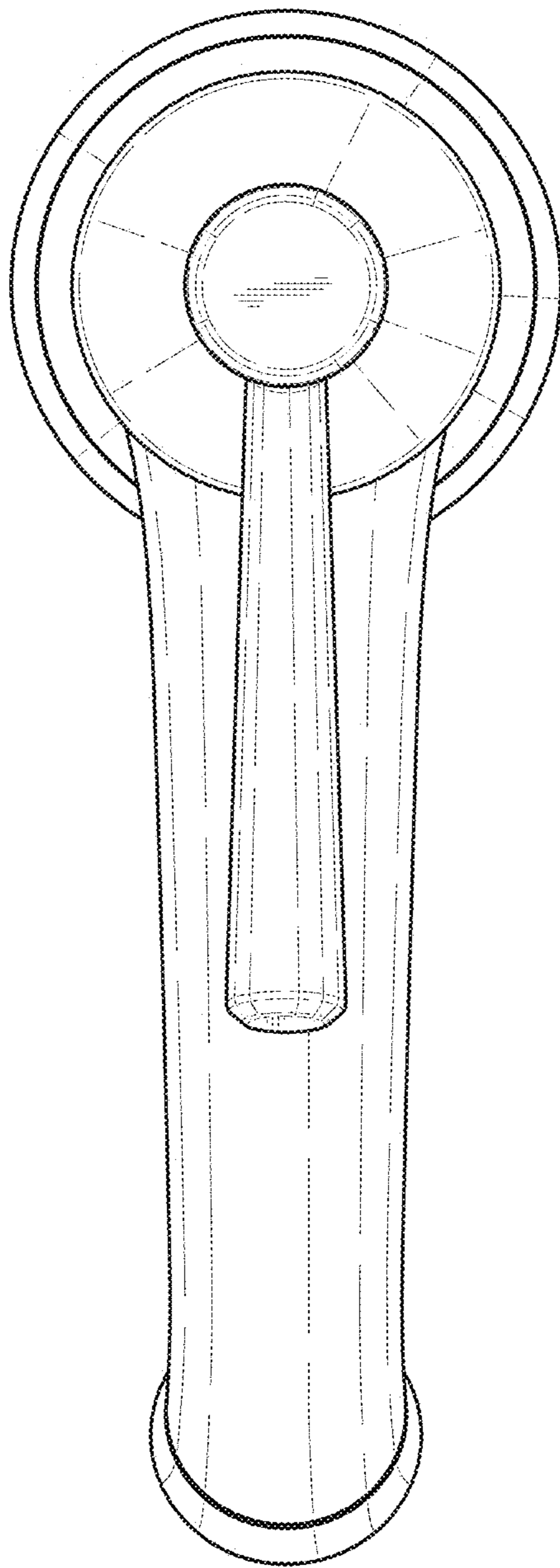


FIG. 6

